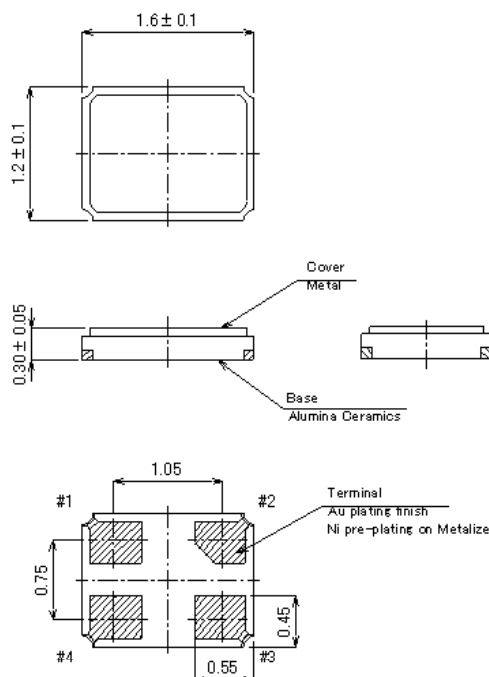
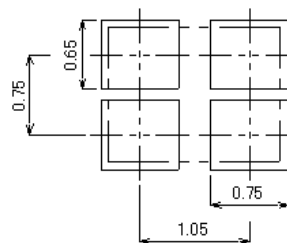


1	NDK Part Number	NX1612AA-26MHz-EXS00A-CS03402
2	NDK Specification Number	EXS00A-CS03402
3	Type	NX1612AA
4	Chipset Maker	TEXAS INSTRUMENTS
5	Application	Bluetooth + FM
6	Chipset Name	BLink™7 Solutions
7	Chipset Number	BL6450
8	End User	Mobile Phone Manufacturer
9	Electrical Characteristics	
9.1	Nominal Frequency (f_{nom})	26 MHz
9.2	Overtone order	Fundamental
9.3	Frequency stability (Overall)	$\pm 20 \times 10^{-6}$ max. (at -20 to +70 °C)
9.4	Equivalent Series Resistance (R_r)	150 Ω max.
9.5	Maximum Drive Level	200 μ W max.
9.6	Aging (at +25 °C)	$\pm 3 \times 10^{-6}$ max./1year
10	Measurement Circuit	
10.1	Frequency Measurement	
10.1.1	Measuring Instrument	π -network (IEC)
10.1.2	Load Capacitance (C_L)	8 pF
10.1.3	Level of Drive	10 μ W
10.2	Equivalent Resistance Measurement	
10.2.1	Measuring Instrument	π -network (IEC)
10.2.2	Load Capacitance (C_L)	Series
10.2.3	Level of Drive	10 μ W
11	Operable Temperature Range	-20 ~ +70 °C
12	Storage Temperature Range	-40 ~ +85 °C
13	Dimension	

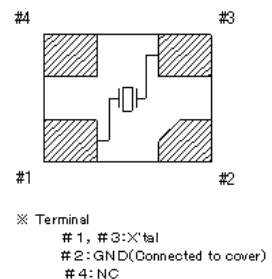
(Unit: mm)



Land Pattern (Typical)



Terminal Land Connection (Top View)



NOTE

The appearance color has a different case by purchasing it more than 2 suppliers, but reliability is guaranteed.