

NXG SERIES

105°C, 10000 hours, Snap-in Terminal Type

◆FEATURES

- Load Life : 105°C 10000 hours
- RoHS compliance.



◆SPECIFICATIONS

Items	Characteristics						
Category Temperature Range	-25~+105°C						
Rated Voltage Range	400~450Vdc						
Capacitance Tolerance	±20% (20°C, 120Hz)						
Leakage Current(MAX)	$I=3\sqrt{CV}$ (After 5 minutes application of rated voltage) I =Leakage Current(μ A) C =Capacitance(μ F) V =Rated Voltage(Vdc)						
(tan δ) Dissipation Factor(MAX)	0.2 (20°C, 120Hz)						
Endurance	After applying rated voltage with rated ripple current for 10000 hours at 105°C, the capacitors shall meet the following requirements. <table border="1" style="margin-left: 20px;"> <tr> <td>Capacitance Change</td> <td>Within ±20% of the initial value.</td> </tr> <tr> <td>Dissipation Factor</td> <td>Not more than 200% of the specified value.</td> </tr> <tr> <td>Leakage Current</td> <td>Not more than the specified value.</td> </tr> </table>	Capacitance Change	Within ±20% of the initial value.	Dissipation Factor	Not more than 200% of the specified value.	Leakage Current	Not more than the specified value.
Capacitance Change	Within ±20% of the initial value.						
Dissipation Factor	Not more than 200% of the specified value.						
Leakage Current	Not more than the specified value.						
Low Temperature Stability Impedance Ratio(MAX)	<table border="1" style="margin-left: 20px;"> <tr> <td>Rated Voltage (Vdc)</td> <td>400~450</td> <td>(120Hz)</td> </tr> <tr> <td>Z(-25°C)/Z(20°C)</td> <td>8</td> <td></td> </tr> </table>	Rated Voltage (Vdc)	400~450	(120Hz)	Z(-25°C)/Z(20°C)	8	
Rated Voltage (Vdc)	400~450	(120Hz)					
Z(-25°C)/Z(20°C)	8						

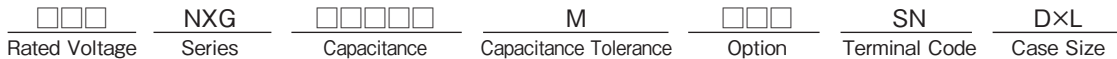
◆MULTIPLIER FOR RIPPLE CURRENT

Frequency (Hz)	60(50)	120(100)	300	500	1k	10k \leq
Coefficient	0.80	1.00	1.15	1.20	1.25	1.40

◆OPTION

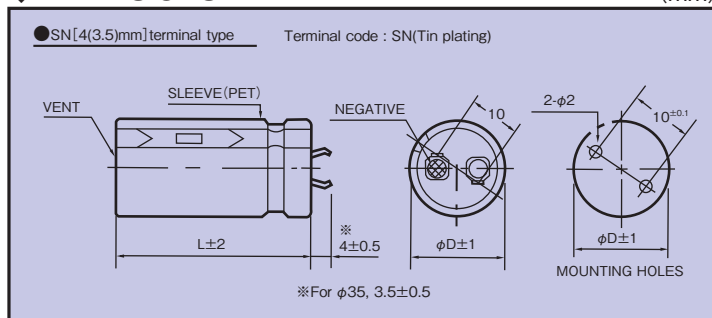
	Code
PET Sleeve without plate	EFC

◆PART NUMBER



◆DIMENSIONS

(mm)



◆STANDARD SIZE

Rated Voltage (Vdc)	Capacitance (μ F)	Size ϕ D×L (mm)	Rated Ripple Current (A.r.m.s 105°C,120Hz)
400	150	20×45	1.22
	180	20×50	1.37
	180	22×40	1.33
	180	25×35	1.32
	220	22×50	1.55
	220	25×40	1.50
	220	30×30	1.43
	220	35×25	1.34
	270	25×45	1.70
	270	30×35	1.63
	330	30×40	1.84
	330	35×30	1.63
	390	30×45	2.04
	390	35×35	1.85
	470	30×50	2.26
	470	35×40	2.07
	560	35×50	2.45
420	150	20×45	1.20
	180	22×45	1.35
	180	25×35	1.29
	220	25×40	1.47
	220	30×30	1.39
	220	35×25	1.31
	270	25×50	1.73
	270	30×35	1.59
	270	35×30	1.53
	330	30×40	1.80
	330	35×35	1.75
	390	30×50	2.09
	390	35×40	1.95
	470	35×45	2.16

Rated Voltage (Vdc)	Capacitance (μ F)	Size ϕ D×L (mm)	Rated Ripple Current (A.r.m.s 105°C,120Hz)
450	120	20×45	1.11
	150	20×50	1.25
	150	22×45	1.26
	150	25×35	1.21
	180	22×50	1.41
	180	25×40	1.37
	180	30×30	1.31
	180	35×25	1.24
	220	25×45	1.55
	220	30×35	1.49
	270	30×40	1.69
	270	35×30	1.52
	330	30×45	1.90
	330	35×35	1.74
	390	30×50	2.10
	390	35×40	1.94
	470	35×50	2.29