

NXI110 Series

Single output,
5 Bit Selectable
(Non-Isolated)

Total Power: 110W
Input Voltage: 11 - 13.2VDC
of Outputs: Single

Special Features

- Meets VRM9.0 specification
High efficiency: 84% typical @
 $V_{in} = 12\text{ V}$, $V_{out} = 1.7\text{ V}$,
 $I_{out} = 60\text{ A}$
- Multi-phase power conversion
- Microprocessor voltage
identification input
 - 5 Bit VID input
 - - 1.10 Vdc to 1.85 Vdc in
25 mV steps
- Remote enable pin
- Power good signal
- True double ended differential
remote sense
- Democratic current sharing,
no need for master/slave
configuration
- Up to 50 A/ μsec load transient
no load to full load, recovery
within 50 μsec
- Overcurrent and short circuit
protection
- Overvoltage protection with on
board fuse
- Vertical plug-in to standard
motherboard connector
- No minimum load requirement
- Available RoHS compliant
- 2 year warranty



The NXI110 non-isolated dc-dc converters are designed to meet the exceptionally fast transient response requirements of today's microprocessors and fast switching logic in a compact size at a very affordable price. Advanced Circuit techniques, component selection and placement optimization, state-of-the-art thermal packaging, and Surface Mount Technologies provide a high power density, highly reliable, and very precise voltage regulation system for advanced microprocessors. Multi-phase power conversion techniques allow the NXI converters to lead the industry with regard to conversion efficiency without adding unnecessary complexity. **VRM9.0** specification compliant without the need for expensive external components. On board active current sharing circuit guarantees the current sharing specification is met both during both static and dynamic load conditions

Specifications

All specifications are typical at nominal input, full load at 25°C unless otherwise stated.

OUTPUT SPECIFICATIONS

Voltage adjustability		See table
Set point accuracy	Vout	±0.8%
Ripple and noise (See Note 1)	20 MHz bandwidth	15 mV pk-pk
Transient response peak dev. settling time	(See Note 2)	125 mV 50 µs
Short-circuit protection		Continuous automatic recovery

INPUT SPECIFICATIONS

Input voltage range	12 Vin nominal	11.0-13.2 Vdc
Input current	No load Remote OFF	300 mA 40 mA max.
UVLO turn ON voltage UVLO turn OFF voltage		10.8 V typ. 9.5 V typ.
Start-up time	Nominal line	10 ms
Active high remote ON/OFF Logic compatibility ON OFF	Open-circuit voltage	Ref. to -input 5.0 Vdc 0.8 Vdc max.

GENERAL SPECIFICATIONS

Efficiency	1V7, 1V85 output @ 60 A 1V10 output @ 60 A	84% 76%
Switching frequency	Fixed (See Note 3)	900 kHz
Standards	94V-0 Flammability rating	
Weight	75 g (2.64 oz)	
MTBF	Bellcore TR-332	2,000,000 hours
Mating connector	(See Note 4)	

ENVIRONMENTAL SPECIFICATIONS

Maximum temperature shock	Operating	5 °C/10 min.
Temperature shock	Operating Non-operating	10 °C/hour 20 °C/hour
Humidity	Operating Storage	85% RH 95% RH
Altitude	Operating Storage	10,000 feet max. 50,000 feet max.
Shock	Operational and non-operational	50 G 11 ms half sine wave
Vibration (See Note 5)	Operational and non-operational	0.02 G ² /Hz max.
Electrostatic discharge	Operating (See Note 6) Non-operating	ESD 15 kV ESD 25 kV
Thermal performance (See Note 7)	Operating ambient temperature	0 to +60 °C

Specifications Contd.

INPUT VOLTAGE	NOMINAL OUTPUT VOLTAGE	NOMINAL OUTPUT CURRENT	TYPICAL EFFICIENCY	MODEL NUMBER ^(8,9)
12 Vdc	See Table 2	60 A	84%	NXI110-12P1V8CY

Notes

- 15 mV pk-pk ripple with no external output filtering.
Vin = 12 V, Vout = 1.6 V, Iout = 60 A.
- 125 mV peak deviation when slewing load from no load to full load at 50 A/ μ sec. Oscon type low impedance caps required across output.
- Each phase operates at a fixed 225 kHz. Effective fundamental output frequency is 900 kHz / 4 phases each at 225 kHz interleaved.
- Recommended mating connector is AMP 1364125-1 or equivalent.
- From 5 Hz to 20 Hz, maintaining 0.02 G²/Hz from 20 Hz to 500 Hz, all axes.

- Initialization level; ESD event shall cause no out-of-regulation conditions.
- Requires 400 LFM forced air over the converter. Ensure the thermal reference point (see figure 2) is kept below 95 °C to maintain the reliability of the converter.
- The 'Y' suffix indicates that these parts are TSE RoHS 5/6 (non Pb-free) compliant.
- NOTICE: Some models do not support all options. Please contact your local Artesyn representative or use the on-line model number search tool at <http://www.artesyn.com/powergroup/products.htm> to find a suitable alternative.

TABLE 1: PIN CONNECTIONS

PIN NO.	FUNCTION	PIN NO.	FUNCTION
1	Vin+	32	Vo-
2	Vin+	33	Vo+
3	Vin+	34	Vo-
4	Vin+	35	Vo+
5	Reserved	36	Vo-
6	Key	37	Vo+
7	VID3	38	Vo-
8	VID1	39	Vo+
9	Reserved	40	Vo-
10	PWRGD	41	Vo+
11	Vo sen-	42	Vo-
12	Reserved	43	Vo+
13	Vo-	44	Vo-
14	Vo+	45	Vo+
15	Vo-	46	Vo-
16	Vo+	47	Vo+
17	Vo-	48	Vo-
18	Vo+	49	Vo+
19	Vo-	50	Vo+
20	Vo+	51	Reserved
21	Vo-	52	Vo sen+
22	Vo+	53	OUTEN
23	Vo-	54	Ishare
24	Vo+	55	VID0
25	Vo-	56	VID2
26	Vo+	57	VID4
27	Vo-	58	VRM-pres
28	Vo+	59	Vin-
29	Vo-	60	Vin-
30	Vo+	61	Vin-
31	Vo-	62	Vin-

TABLE 2 : VOLTAGE IDENTIFICATION (VID) CODES

VID4	VID3	VID2	VID1	VID0	VDAC
1	1	1	1	1	Off
1	1	1	1	0	1.100
1	1	1	0	1	1.125
1	1	1	0	0	1.150
1	1	0	1	1	1.175
1	1	0	1	0	1.200
1	1	0	0	1	1.225
1	1	0	0	0	1.250
1	0	1	1	1	1.275
1	0	1	1	0	1.300
1	0	1	0	1	1.325
1	0	1	0	0	1.350
1	0	0	1	1	1.375
1	0	0	1	0	1.400
1	0	0	0	1	1.425
1	0	0	0	0	1.450
0	1	1	1	1	1.475
0	1	1	1	0	1.500
0	1	1	0	1	1.525
0	1	1	0	0	1.550
0	1	0	1	1	1.575
0	1	0	1	0	1.600
0	1	0	0	1	1.625
0	1	0	0	0	1.650
0	0	1	1	1	1.675
0	0	1	1	0	1.700
0	0	1	0	1	1.725
0	0	1	0	0	1.750
0	0	0	1	1	1.775
0	0	0	1	0	1.800
0	0	0	0	1	1.825
0	0	0	0	0	1.850

Mechanical Notes

1 All dimensions in INCHES (mm).

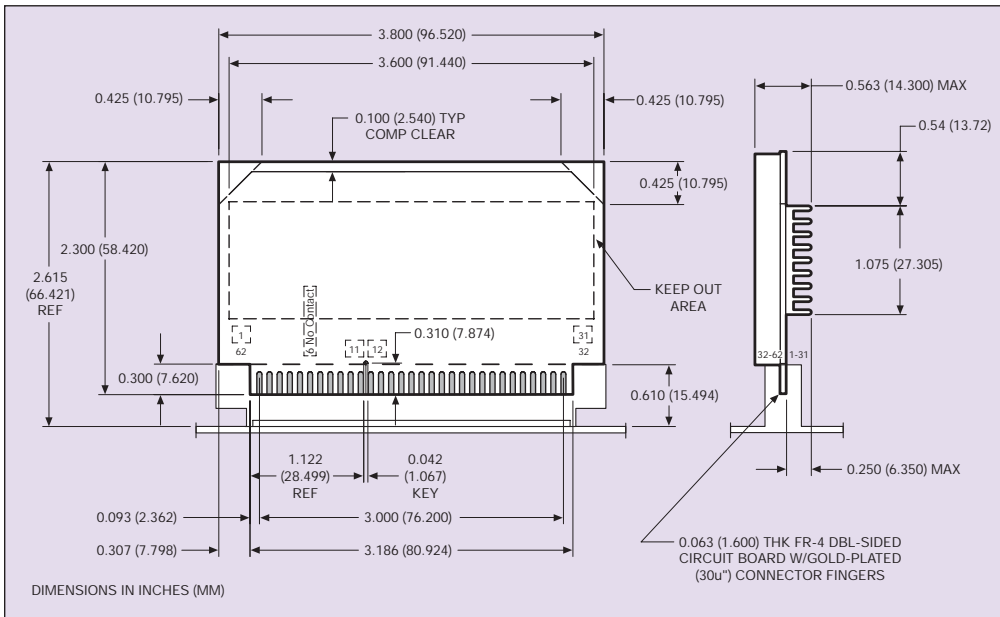


Figure 1: Mechanical Drawing

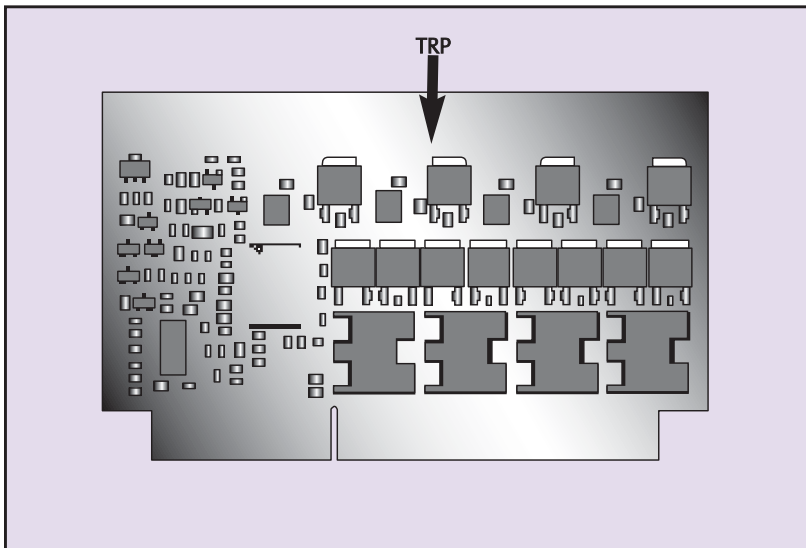


Figure 2:
Thermal Reference Point (TRP) -
Monitor Tab Indicated

Americas

5810 Van Allen Way
Carlsbad, CA 92008
USA
Telephone: +1 760 930 4600
Facsimile: +1 760 930 0698

Europe (UK)

Waterfront Business Park
Merry Hill, Dudley
West Midlands, DY5 1LX
United Kingdom
Telephone: +44 (0) 1384 842 211
Facsimile: +44 (0) 1384 843 355

Asia (HK)

16th - 17th Floors, Lu Plaza
2 Wing Yip Street, Kwun Tong
Kowloon, Hong Kong
Telephone: +852 2176 3333
Facsimile: +852 2176 3888

For global contact, visit:

www.powerconversion.com
technicalsupport@powerconversion.com

While every precaution has been taken to ensure accuracy and completeness in this literature, Emerson Network Power assumes no responsibility, and disclaims all liability for damages resulting from use of this information or for any errors or omissions.

Emerson Network Power.
The global leader in enabling
business-critical continuity.

- AC Power
- Connectivity
- DC Power
- **Embedded Power**
- Inbound Power
- Integrated Cabinet Solutions
- Outside Plant
- Precision Cooling
- Site Monitoring and Services

EmersonNetworkPower.com

Emerson Network Power and the Emerson Network Power logo are trademarks and service marks of Emerson Electric Co. ©2007 Emerson Electric Co.