

Crystal Clock Oscillator

NZ2520SJ

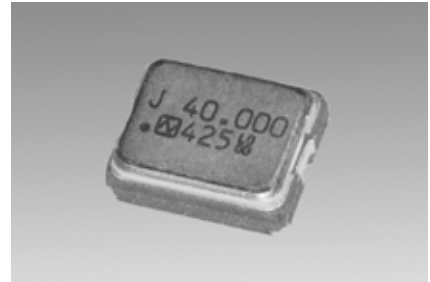
Low current consumption Type

Application

- For Smartphones, Tablet computers, notebook PC, DSC, etc.

Features

- External configuration size is 2.5 x 2.0 x 0.9mm (weight of 0.02g), and is micro light weight.
- Low current consumption (Max. 0.7mA, @40MHz, +1.8V, No-load).
- Lead-free.



Pb Free

RoHS Compliant
Directive 2011/65/EU

Absolute maximum rating
Supply Voltage (V_{CC}) -0.3 to +4.0 V
Storage Temperature Range -55 to +125 °C

Specifications

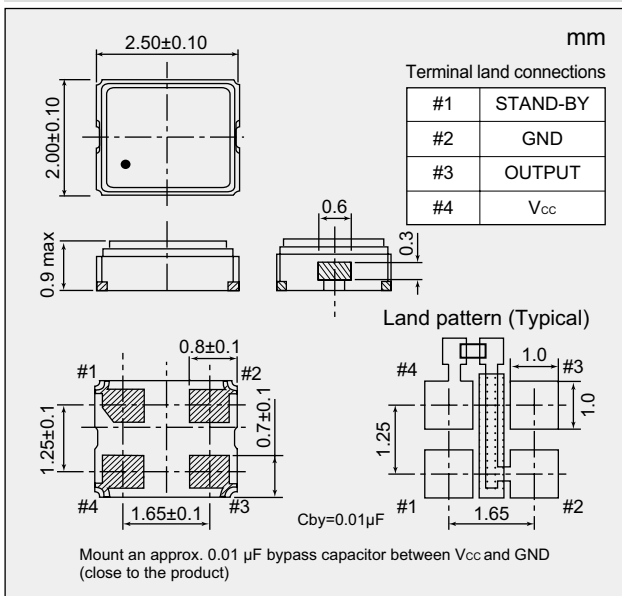
Item		Model	NZ2520SJ
Output Level			CMOS
Nominal Frequency Range		(MHz)	5 to 40
Overall Frequency Tolerance *1		(×10 ⁻⁶)	± 30
Operating Temperature Range		(°C)	-40 to +85
Supply Voltage [V _{CC}]		(V)	+1.8 ± 0.18
Current Consumption Max.	During operation*2	+25 °C, No-load	0.55 to 0.70
		+25 °C, 15pF	0.82 to 1.78
	During standby	+25 °C, No-load/15pF	10
V _{OL} Max. / V _{OH} Min.		(V)	0.1 V _{CC} / 0.9 V _{CC}
Tr Max. / Tf Max.		(ns)	8/8 (at 0.1V _{CC} to 0.9V _{CC})
Symmetry Min. to Max.		(%)	45 to 55 (at 0.5V _{CC})
Load (C _L) Max.		(pF)	15
Start-up Time Max.		(ms)	4
Standby function			Available (Three-state)
Specification Number			NSA3608A

*1 : Frequency Tolerance (+25°C), Frequency/Temperature characteristics, Frequency/Voltage characteristics.

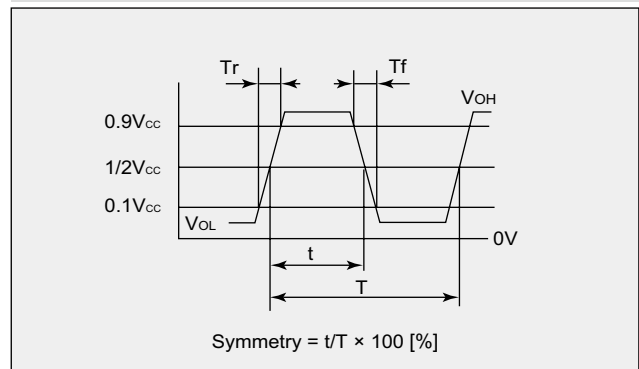
*2 : Consumption current at the time of loading capacity(C_LOUT) on an output I_{CC} (C_LOUT) is consumption current(I_{CC}) at the time of no-load, and output frequency. (F_{OUT}) It can ask by the following formula.

$$I_{CC}(C_{L\text{OUT}})[\text{mA}] = I_{CC}[\text{mA}] + C_{L\text{OUT}}[\text{pF}] \times V_{CC}[\text{V}] \times F_{\text{OUT}}[\text{MHz}] \cdot 10^{-3}$$

Dimensions



Output Waveform <CMOS>



Standby Function

#1 Input	#3 Output
Level H ($0.7 V_{CC} \leq V_{IH} \leq V_{CC}$) or OPEN is selected.	Oscillation output ON
Level L ($V_{IL} \leq 0.3 V_{CC}$) is selected.	High impedance

Please specify the model name, frequency, and specification number when you order products.
For further questions regarding specifications, please feel free to contact us.