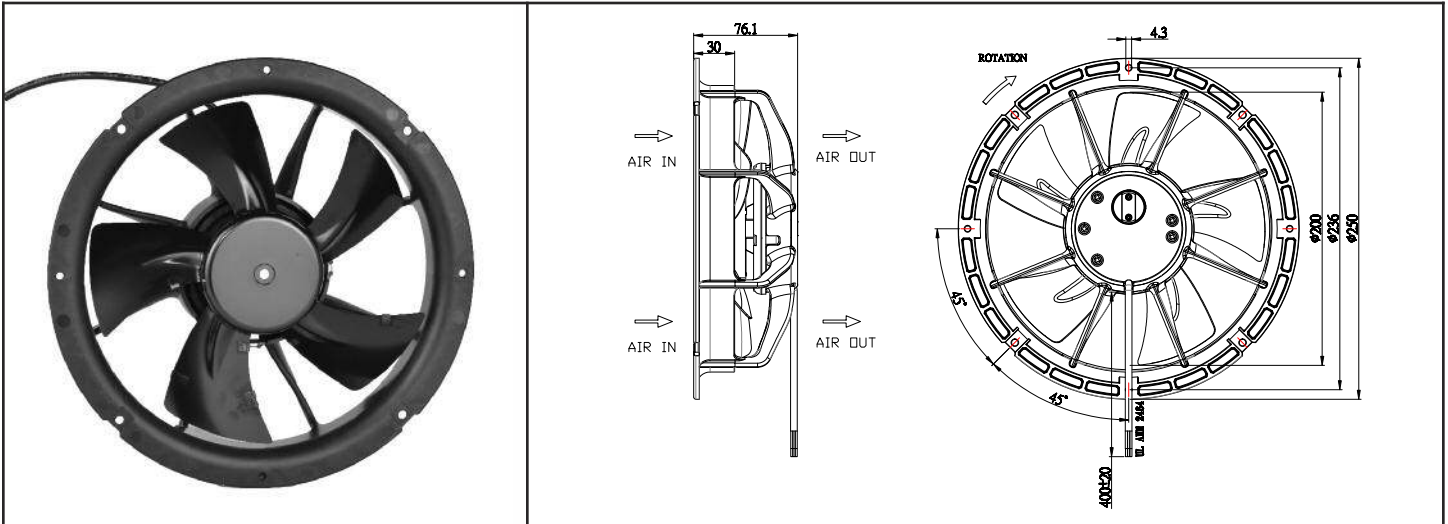


OA200EC Series



EC Fan Dual Speed - 115V, 230V
250 x 76mm (9.85"x 3.0")



Frame	PBT UL94V-0 Plastic	<u>Operating Temperature</u> Ball Bearing -25C ~ +50C (non-condensing) Storage Temp -40C ~ +80C <u>Life Expectancy</u> Ball Bearing 40,000 hours (L10 at 40C) IP55 Rated Weight: ~ 2.20 lbs.
Impeller	Metal	
Connection	3x Lead wires Black (line), Blue (neutral), Brown (speed)	
Motor	Brushless EC motor, thermally protected	
Bearing System	Dual ball	
Insulation Resistance	>100M ohm between lead-wire and frame (500VDC)	
Dielectric Strength	1 min at 1,500 VAC, 50/60Hz	
		m2

Performance Curves

Part Number	Speed* (RPM)	Airflow (CFM)	Noise (dB)	Volts AC	Nominal Current	Watts	Max. Static Pressure ("H ₂ O)	Curves
OA200EC-11-1WB	1,400	290	44	115	0.13	8	0.28	2
	2,200	460	55		0.40	26	0.46	1
OA200EC-22-1WB	1,400	290	44	230	0.08	8	0.28	2
	2,200	460	55		0.24	26	0.46	1

*** Speed (RPM) can be factory programmed**

Noise, power and static pressure values will change per requirement

MOTOR WIRING DIAGRAMS

