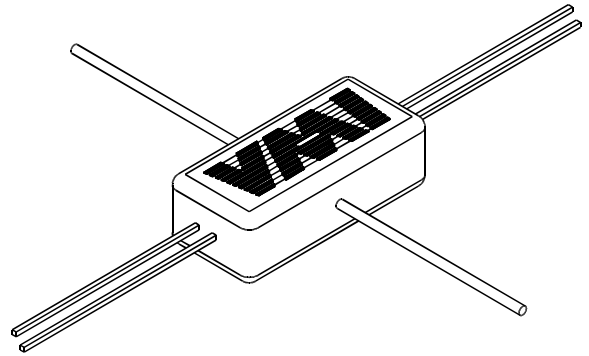
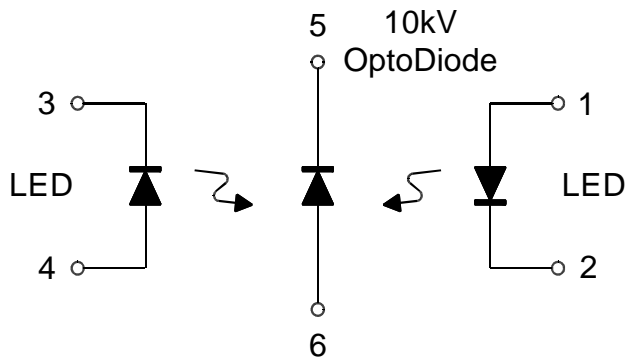


Opto Coupler

OC100



ABSOLUTE MAXIMUM RATINGS

LED

- Forward DC Current 100 mA
- Surge Current 2.5 A
- Reverse Voltage 5 V
- Power Dissipation 200 mW at 25°C

Photodiode

- Reverse Voltage 10,000 V
- Power Dissipation 1W

- Storage Temperature -40°C to +125°C
- Operating Temperature -40°C to +100°C
- Isolation Test Voltage 25 kV (Pins 1, 2, 3, & 4 tied to pins 5 & 6)

ELECTRICAL CHARACTERISTICS

LED

- Forward Voltage (If = 100 mA) 1.5 V
- Reverse Leakage Current 10nA VR = 5 V

Photodiode

- Forward Voltage (If = 0.6 A) 12.0 V MAX
- Reverse Leakage Current Typical VR = 10 kV, I_{LED} = 0 mA 250 nA
VR = 10 kV, I_{LED} = 100 mA 100 µA

Coupled

- DC Current Transfer Ratio 0.1%
- T_{ON} 2 µs
- T_{OFF} 2 µs

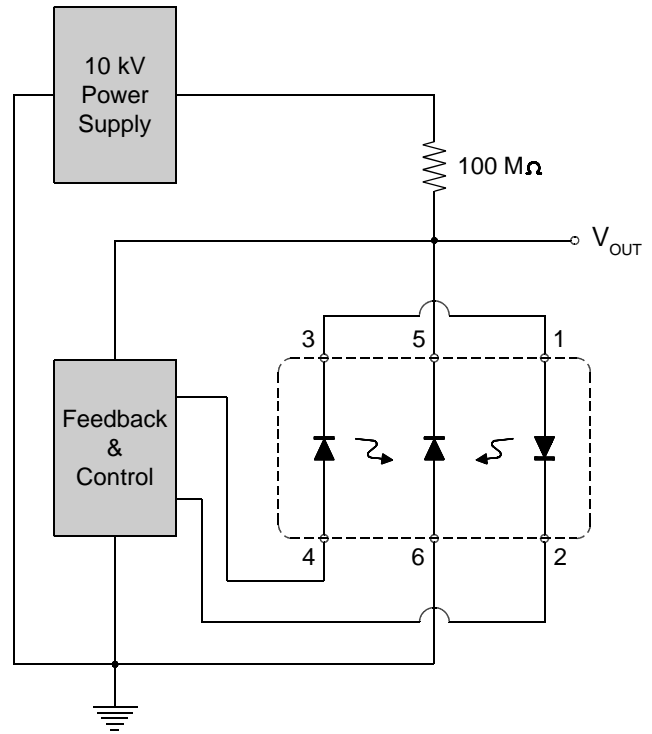
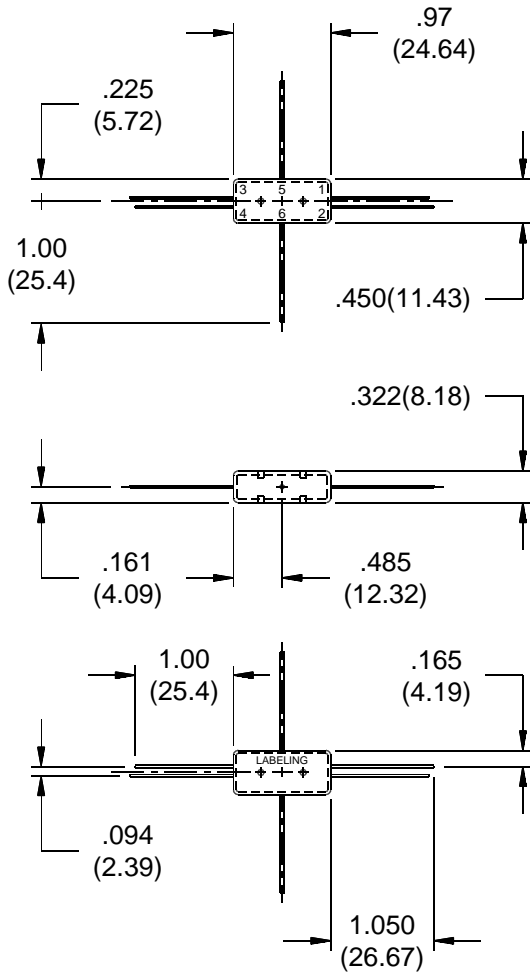
All ratings at 25°C unless otherwise noted.



VOLTAGE MULTIPLIERS INC.
8711 W. Roosevelt Ave.
Visalia, CA 93291

TEL 559-651-1402
FAX 559-651-0740
www.voltagemultipliers.com

OC100



Typical HV Linear Regulator Circuit

- Select resistor value to optimize circuit for V_{OUT} and I_{OUT} range.

