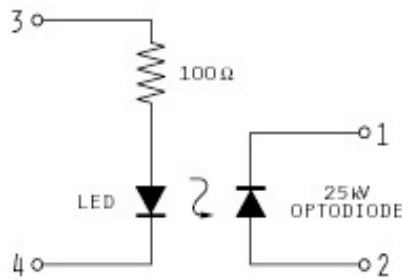


# HIGH VOLTAGE

INTRODUCING  
OUR **NEW**  
**OC250**

## Opto-Coupler

*HV LINEAR REGULATOR*



### ABSOLUTE MAXIMUM RATINGS

#### LED

- Forward DC Current 100 mA
- Surge Current 2.5 A
- Reverse Voltage 20 V
- Power Dissipation (25° C) 1000 mW

#### Photodiode

- Reverse Voltage 25,000 V
- Power Dissipation 2.5 W

- Storage Temperature -40° C to +125° C
- Operating Temperature -40° C to +100° C
- Isolation Test Voltage 25 kV (Pins 1 & 2 to Pins 3 & 4)

### ELECTRICAL CHARACTERISTICS

#### LED

- Forward Voltage (If = 100 mA) 9.0 V
- Reverse Leakage Current 10 nA  
VR = 20V

#### Photodiode

- Forward Voltage (If = 0.6 A) 36 V MAX
- Reverse Leakage Current  
VR = 25 kV, I<sub>f</sub> = 0 mA 250 nA Typical  
VR = 25 kV, I<sub>f</sub> = 100 mA 100 μA Typical

#### Coupled

- DC Current Transfer Ratio 0.1%
- T<sub>10%</sub> 2 μs
- T<sub>50%</sub> 2 μs

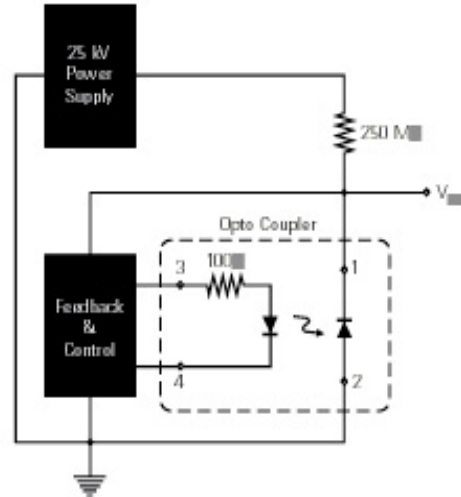
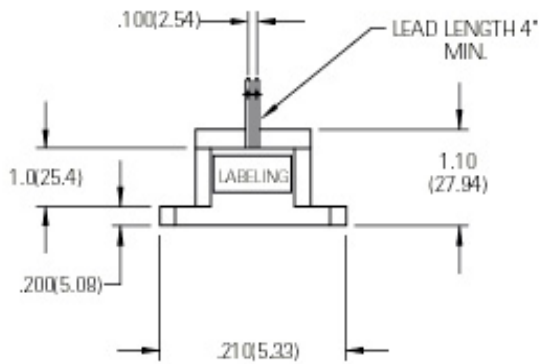
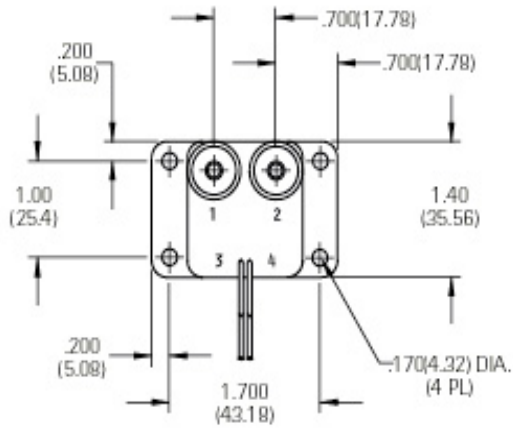
(25°C Unless Otherwise Noted)



**VOLTAGE MULTIPLIERS INC.**  
8711 W. Roosevelt Ave.  
Visalia, California 93291

TEL 559 651-1402  
FAX 559 651-0740  
www.voltagemultipliers.com

# OC250



Typical HV Linear Regulator Circuit

- Select resistor value to optimize circuit for V<sub>OUT</sub> and I<sub>OUT</sub> range.

