



ORIENT-CHIP

■ General Description

The OCH1501 Unipolar Hall effect sensor IC is fabricated from mixed signal CMOS technology. It is comprised of one Hall plate and a CMOS output driver, mainly designed for battery-operation, hand-held equipment (such as Cellular and Cordless Phone, PAD). The total power consumption in normal operation is typically 28 μ W with a 2.8V power source. South poles of sufficient strength will turn the output on. The output will be turned off under no magnetic field. While the magnetic flux density (B) is larger than operating point (BOP), the output will be turned on (low), the output is held until B is lower than release point (BRP), and then turned off.

The OCH1501 is available in TSOT23-3L Package. Operating temperature range of the OCH1501 is from -40°C to 85°C.

To minimize the BOM cost, capacitors of the MLCC type are supported, and only one external component is needed to complete the application circuit.

■ Pin Configuration

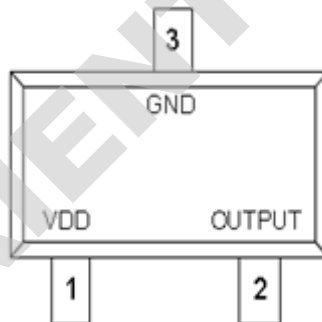
■ Features

- Micro power consumption ideal for battery-powered applications
- Input Voltage Range: 2.2V to 4.5V
- Very High Sensitivity Hall Sensor
- Chopper stabilized amplifier stage
- Good RF noise immunity
- Open Drain Output
- TSOT23-3L package
- Need the push-high resistance

■ Applications

- Cover switch in clam-shell cellular phones
- Cover switch in Notebook PC/PAD
- Contact-less switch in consumer products
- Solid State Switch
- Handheld Wireless Handset Awake Switch
- Lid close sensor for battery-powered device
- Magnet proximity sensor for reed switch replacement in low duty cycle applications

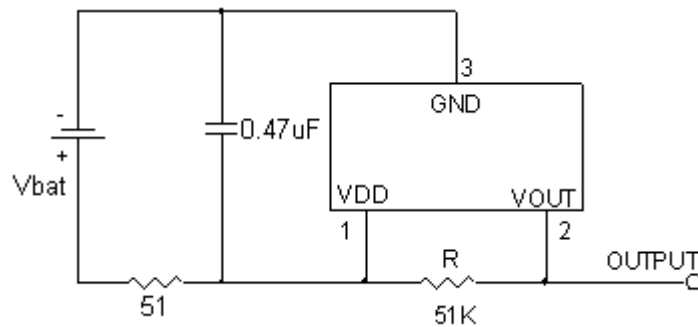
TSOT23-3L (Top View)



Pin Name	Pin No.	Pin Function
	TSOT23-3L	
VDD	1	Power Supply Input
GND	3	Ground
OUTPUT	2	Output Pin

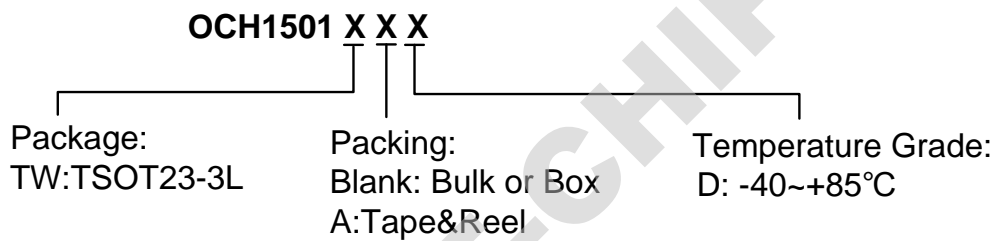


■ Typical Application Circuit



Note: C is for power stabilization and to strengthen the noise immunity, the recommended capacitance is 0.47uF.

■ Ordering Information



Part Number	Package Type	Packing Qty	B _{OPS} (Gauss)	B _{RPS} (Gauss)	Temperature	Eco Plan	Lead
OCH1501TWAD	TSOT23-3L	7-in reel 3000pcs/reel	12 ~ 34	8 ~ 30	-40~85°C	Green	Cu

注：想进一步了解产品咨询，请直接点击[申请样品](#)。我们会第一时间联系您！谢谢！