



General Description

The OCH41F is an integrated Hall Effect latched sensor designed for electronic commutation of brush-less DC motor applications. The device includes an on-chip Hall voltage generator for magnetic sensing, a comparator that amplifies the Hall voltage, and a Schmitt to provide switching hysteresis for noise rejection, and open-collector output. An internal bandgap regulator is used to provide temperature compensated supply voltage for internal circuits and allows a wide operating supply range.

A north pole of sufficient strength will turn the output ON. In the absence of a magnetic field, the output is OFF.

Features

- Wide operating voltage range: 4.0V~30V
Wide operating temperature range: -40°C ~+150°C
Reverse polarity protection
Package: SIP-3L

Applications

- Rotor Position Sensing
Brush-less DC Fan
Brush-less DC Motor
Speed measurement
Revolution counting

Pin Configuration

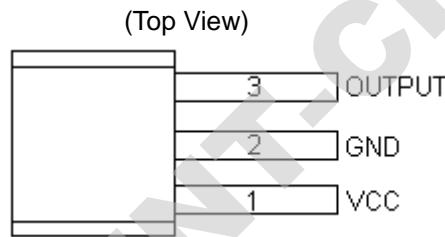


Table with 4 columns: Pin Name, Pin No., P/O, Pin Function. Rows include VCC (Pin 1, Power Supply), GND (Pin 2, IC Ground), and Output (Pin 3, low state during S magnetic field).

Typical Application Circuit

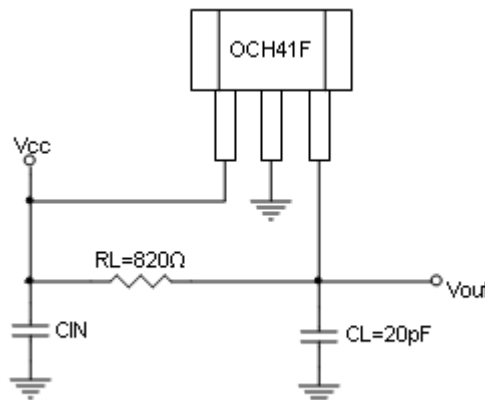
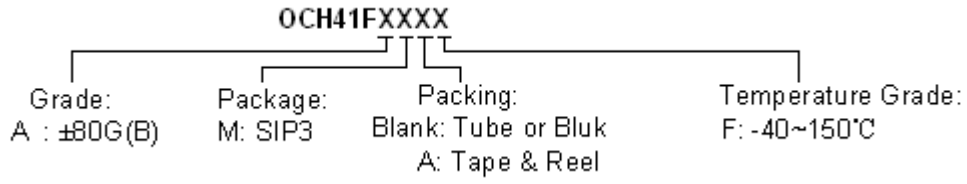


Figure 1, application circuit of OCH41F

Note: CIN is for power stabilization and to strengthen the noise immunity, the recommended capacitance is 0.1~1uF. If the Vcc power supply is clean, the CIN can be cancelled.



Ordering Information



| Part Number | Package Type | Package Qty         | Brp (Gauss) | Bop (Gauss) | Temperature | Eco Plan | Lead/Ball Finish |
|-------------|--------------|---------------------|-------------|-------------|-------------|----------|------------------|
| OCH41FAMF   | SIP-3L       | Bulk<br>1000pcs/bag | -80 ~ -5    | 5 ~ 80      | -40~150°C   | ROHS     | Cu Sn            |

注：想进一步了解产品咨询，请直接点击[申请样品](#)。我们会第一时间联系您！谢谢！

