

Fiber Optic Devices**OD-8363- D LED Module(1.3 μ m)**

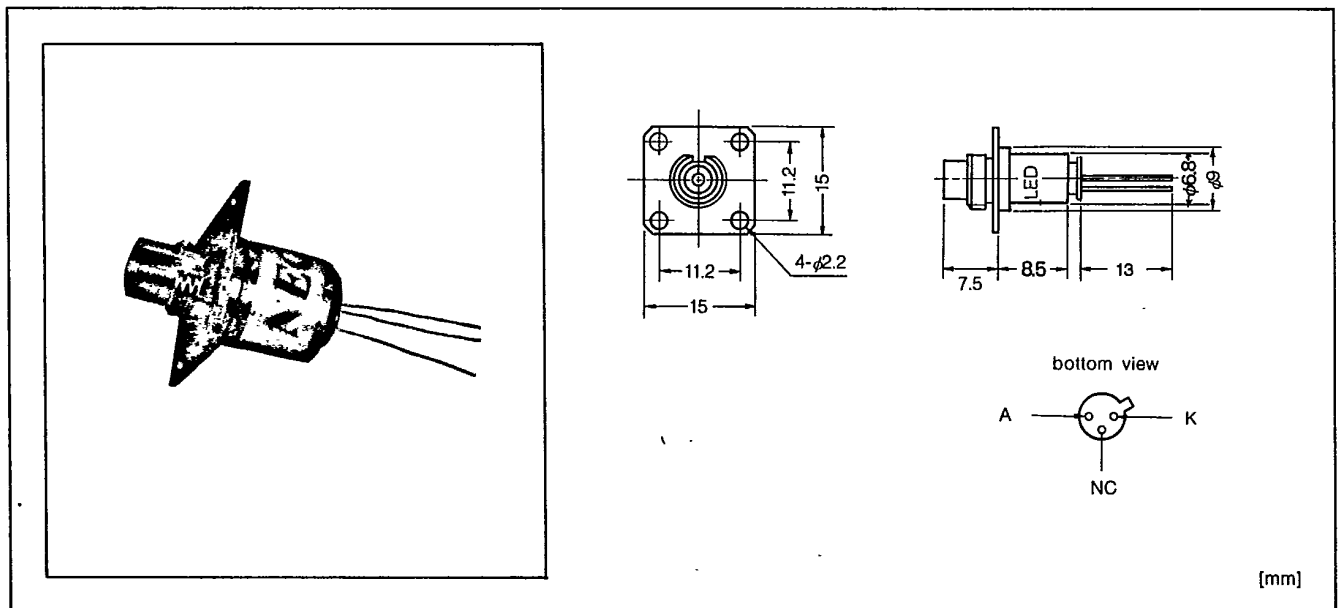
OD-8363 is designed to couple LED (Light Emitting Diode) output light to optical fiber through connector.

FEATURES

- High coupling efficiency from LED to optical fiber.
- High speed and high radiance LED is mounted.
- Highly reliable construction.
- Compact and easily installed in various systems.
- Suitable for long haul transmission.

APPLICATIONS

- Light source for long wavelength fiber optics communication systems.
- Light source for optical fiber and optical devices long wavelength measuring sets.
- Light source for video signal, transmission.

**ABSOLUTE MAXIMUM RATINGS (Ta = 25°C)**

PARAMETERS	SYMBOL	RATING	UNIT
Reverse Voltage	VR	1.5	V
Forward Current	IF	150	mA
Operating Case Temperature	Top	-10 ~ 60	°C
Storage Temperature	Tstg	-40 ~ 80	°C
Soldering Temperature (5 sec.)		230	°C

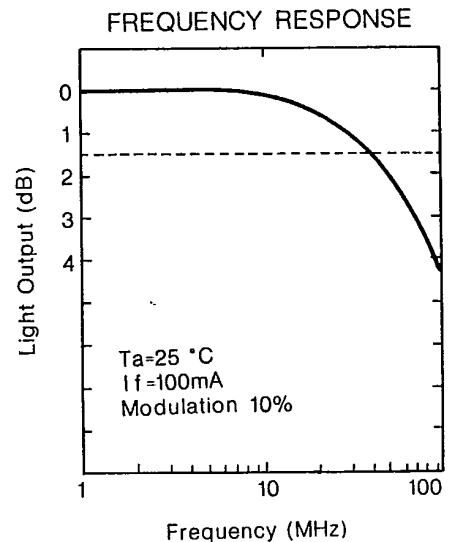
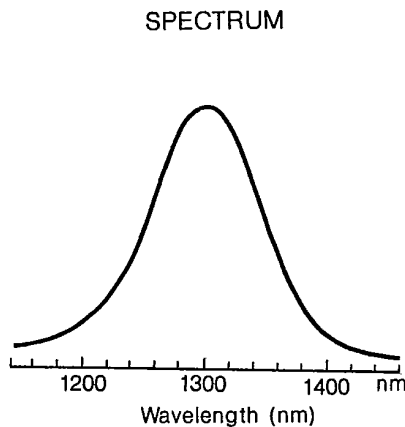
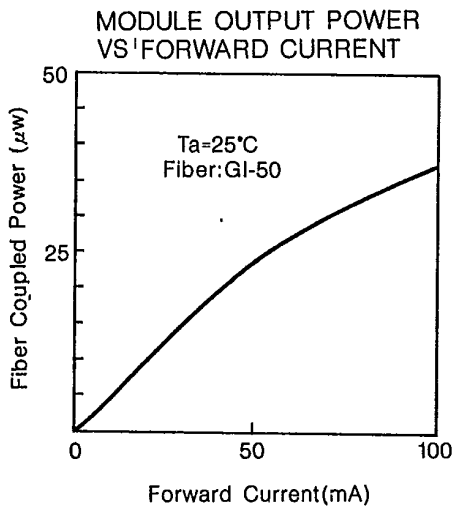
PERFORMANCE SPECIFICATIONS (Ta = 25°C)

SYMBOL	PARAMETERS	CONDITIONS	OD-8363			UNIT
			MIN	TYP	MAX	
Pf	Fiber Coupled Power	50-GI $\Delta n \sim 1\%$ 2m, $I_F=100mA$	15	25		μW
		80-SI $\Delta n \sim 1\%$ 2m, $I_F=100mA$	35	50		
$\Delta Pf/\Delta T$	Temperature Dependence of Pf			-0.05		dB/°C
λ_0	Center Wavelength	$I_F = 100mA$	1270	1300	1330	nm
$\Delta\lambda_0/\Delta T$	Temperature Dependence of λ_0			0.5		nm/°C
$\Delta\lambda$	Spectrum Width	Half power width ($I_f = 100mA$)			140	nm
tr/ta	Rise/Fall Time	10 - 90%		12		n sec

MAJOR PARAMETERS

- LED : InGaAsP double-hetero structure LED
- Dimensions: 15W x 15H x 16D mm
- Weight : 6g

TYPICAL CHARACTERISTICS (Ta = 25°C)



NOTES

- 1) Connector: D type (OD-9400 Series).
- 2) Specifications are subject to change without previous notice.

NEC NEC Corporation

NEC Building
33-1, Shiba Gochome, Minato ku
Tokyo 108, Japan
Tel Tokyo 454 1111
Cable Address "MICROPHONE TOKYO"
Telex Address NECTOK J22686

NEC Electronics U.S.A., Inc.
252 Humboldt Court Bldg B
Sunnyvale, California 94086, U.S.A.
Tel (408) 745-6520
Telex Address 35-7475 NECTRN SUVL

NEC Electronics (Europe) GmbH
NEC Electronics (Germany) GmbH
Oberrather Str.4
4000 Düsseldorf 30, West Germany
Tel: 0211-650301
Telex Address: 8587419 NEC D

FO-0012
8310
Printed in Japan