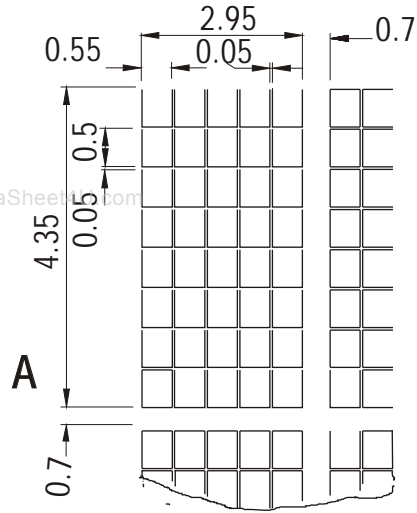


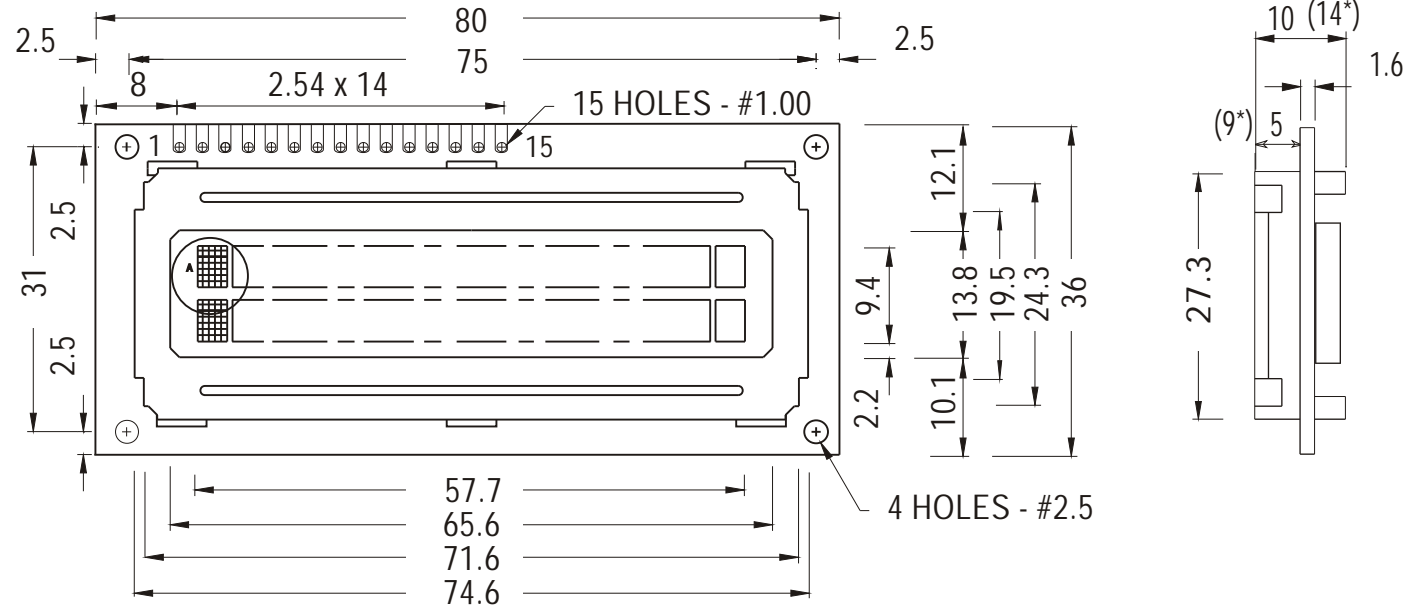
# Alphanumeric LCD Module

## ODM-16216

16 Character 2 line  
EXTERNAL DIMENSIONS



DISPLAY PATTERN DIMENSIONS



Specification marked \* pertains to Backlight Version

GENERAL TOLERANCE : +/- 0.5

UNIT : mm

### BLOCK DIAGRAM

PIN NO.	1	2	3	4	5	6	7	8	9	10	11	12	13	14	15
SYMBOL	VSS	VDD	VL	RS	R/W	E	D0	D1	D2	D3	D4	D5	D6	D7	+VLED

