

OKI electronic components

OE3496G

1.3 μm Edge-Emitting LED Coaxial Module

GENERAL DESCRIPTION

The OE3496G is a coaxial type 1.3 μm , edge-emitting LED module with a single-mode fiber pigtail. This device is an optimal light source for optical LAN systems and optical measurement equipment.

FEATURES

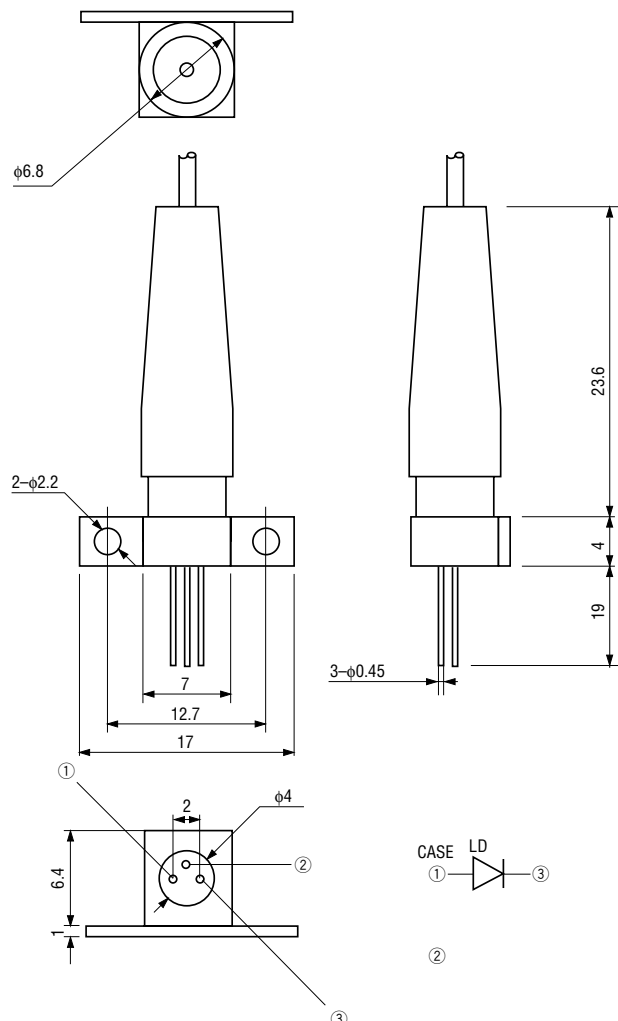
- Single-mode fiber output: $P_f=40 \mu\text{W}$
- High speed operation

APPLICATIONS

- Optical LAN system
- Optical measurement equipment

PACKAGE DIMENSIONS (Unit: mm)

• OE3496G



ABSOLUTE MAXIMUM RATINGS

Parameter	Symbol	Test Conditions	Ratings	Unit
Forward Current	I_F	$T_a=25^\circ\text{C}$	150	mA
Reverse Voltage	V_R		1	V
Operating Temperature	T_{opr}	—	-20 to +65	$^\circ\text{C}$
Storage Temperature	T_{stg}	—	-40 to +85	$^\circ\text{C}$

OPTICAL AND ELECTRICAL CHARACTERISTICS

(Ta=25°C)

Parameter	Symbol	Test Conditions	Min.	Typ.	Max.	Unit
Fiber Output Power	Pf	$I_F=100\text{ mA}$	40	—	—	μW
Peak-emission Wavelength	λ_p	$I_F=100\text{ mA}$	1270	1300	1330	nm
Spectral Bandwidth	$\Delta\lambda$	$I_F=100\text{ mA}$	—	60	100	nm
Rise Time	t_r	Pf=40 μW , 10% to 90%	—	2	—	ns
Fall Time	t_f		—	3	—	ns
Forward Voltage	Vf	$I_F=100\text{ mA}$	—	—	2	V

FIBER PIGTAIL SPECIFICATIONS

Parameter	Specifications	Unit
Fiber Type	Single-mode	—
Mode Field Diameter	9 ± 1	μm
Cladding Diameter	125 ± 2	μm
Jacket Diameter	900	μm
Length	1 (Min)	m
Connector	FC	—

TYPICAL CHARACTERISTICS

- OE3496G

Fiber Output Power vs. Forward Current

