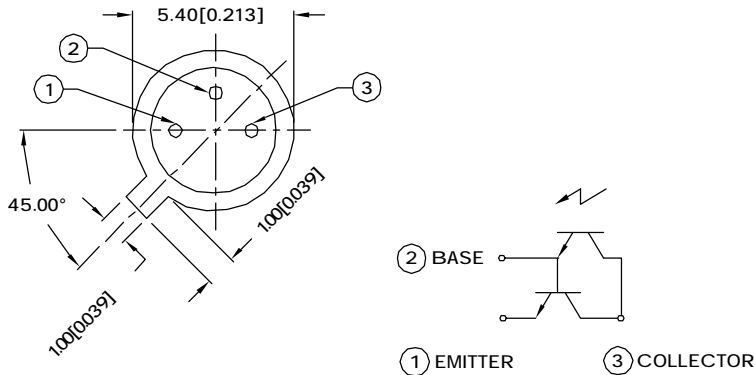
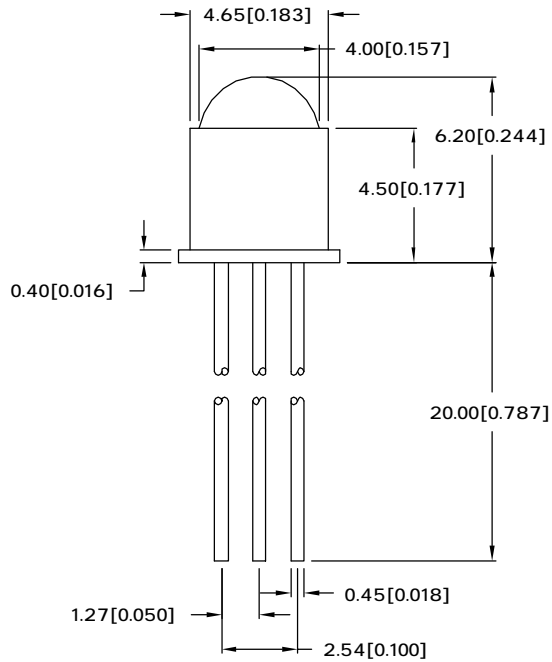


DATE	REVISIONS	REV
12-31-97	E.C.N. #10BRDR./	A

DRAWING NUMBER	REV
OED- PT- 1KLB	A

ELECTRO-OPTICAL CHARACTERISTICS_AT = 25°C

PARAMETER	SYMBOL	TEST CONDITION	MIN	TYP	MAX	UNIT
COLLECTOR DARK CURRENT	I _{ceo}	V _{ceo} =10V E _e =0.5mw/cm ²			100	nA
COLLECTOR LIGHT CURRENT	I _c	V _{ce} = 5V E _e =0.5mw/cm ²	5.0			mA
COLLECTOR-EMITTER SATURATION VOLTAGE	V _{ce} (sat)	I _c = 0.2 mA E _e =0.5mw/cm ²			1.4	V
SWITCHING SPEEDS:		V _{cc} =5V				
RISING TIME	T _r	I _c =1mA		65		μS
FALLING TIME	T _f	R _i =100Ω		75		μS
PEAK WAVELENGTH	λ _p			800		nm
ANGULAR REPSONSE	Δθ			±15		DEG
LENS COLOR:	CLEAR					



LIMITS OF SAFE OPERATION AT 25°C

PARAMETER	MAX	UNITS
COLLECTOR-EMITTER VOLTAGE (V _{ceo})	30	V
EMITTER-COLLECTOR VOLTAGE (V _{eco})	4	V
POWER DISSIPATION	100	mW
OPERATING TEMP.	-30 TO +120	°C
STORAGE TEMP.	-30 TO +125	°C
SOLDERING TEMP.	+260	°C
2.0mm FROM BODY		3 SEC. MAX

RELIABILITY NOTE

OUR MANY YEARS OF EXPERIENCE DATA ACCUMULATION INDICATE THAT SOLDER HEAT IS A MAJOR CAUSE OF EARLY AND FUTURE FAILURE. PLEASE PAY ATTENTION TO YOUR SOLDERING PROCESS.



290 E. HELLEN ROAD
PALATINE, ILLINOIS 60067
(847) 359-2790

CONFIDENTIAL INFORMATION
THE INFORMATION CONTAINED IN THIS DOCUMENT IS THE PROPERTY OF LUMEX INCORPORATED. EXCEPT AS SPECIFICALLY AUTHORIZED IN WRITING BY LUMEX INCORPORATED, THE HOLDER OF THIS DOCUMENT SHALL KEEP ALL INFORMATION CONTAINED HEREIN CONFIDENTIAL AND SHALL PROTECT SAME IN WHOLE OR IN PART FROM DISCLOSURE AND DISSEMINATION TO ALL THIRD PARTIES.

DATE: 4-27-95	DWN:	CHK'D:	APPD:
SCALE: N/A			

TO- 18 HIGH OUTPUT, NPN SILICON PHOTODARLINGTON,
HERMETICALLY SEALED.

PAGE 1 OF 1	DRAWING NUMBER OED- PT- 1KLB	REV A
-------------	---------------------------------	----------