

FEATURES

- Molded insulation for high dielectric strength.
- Rugged construction.
- Available in Resistor Cabinet Assortments & 100 pc packs.
- High surge capabilities.
- Comparable to "Mil" RC07, RC20, and RC32 types.

SPECIFICATIONS

Material

Terminals: Solder-coated copper lead.

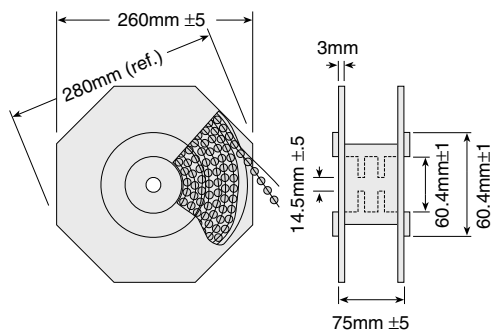
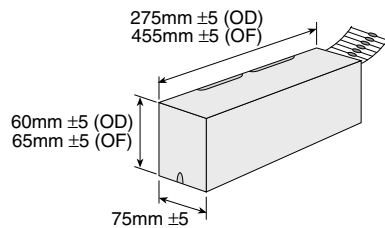
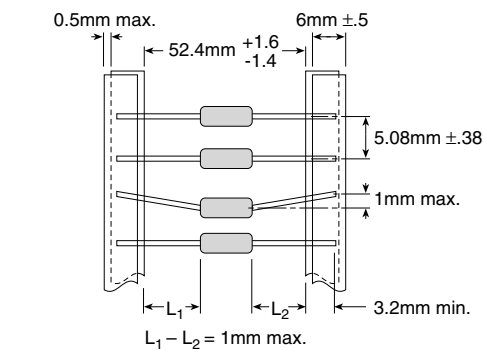
Body: Molded Phenolic

Electrical

Tolerance: ±5% (OD/OF); ±10% (OA)

Derating: Linearly from 100% @ +70°C to 0% @ 130°C

PACKAGING



| Tape/Reel | OD | OF |
|-------------------------------|--------|--------|
| Qty./reel | 5000 | 3000 |
| Reel size (mm) | 260 | 260 |
| Qty./carton | 40,000 | 24,000 |
| Gross carton wt. (kg) | 12 | 13 |
| Carton size (m ³) | 0.04 | 0.04 |

| Ammo Box | OD | OF |
|-------------------------------|--------|--------|
| Tape width (mm) | 52 | 52 |
| Qty./box | 2000 | 2000 |
| Qty./carton | 30,000 | 30,000 |
| Gross carton wt. (kg) | 10 | 16 |
| Carton size (m ³) | 0.03 | 0.05 |

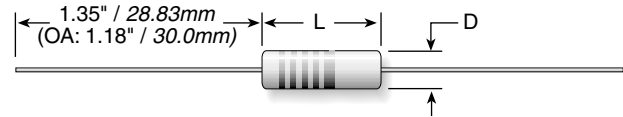
Ohmite's Little Demons are small, reliable carbon composition resistors with exceptional strength. They are made through a molding process that combines the leads, insulation and resistive element into an integrated unit. Along with their small size, Little Demons perform with low noise, dissipate heat rapidly and offer high temperature stability.

Color codes are readable even after prolonged use thanks to a very durable coating that resists abrasions and chipping normally associated with automatic insertion equipment.

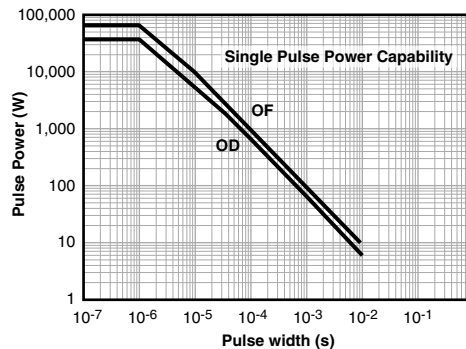


Little Demon[®]

Carbon Composition Molded Resistors OD/OF Series (5% Tol.) OA Series (10%)



| Series | Wattage | Ohms | Dimensions (in. / mm) Length | Max Diam. | Max. Voltage | Dielectric VAC | Lead Dia. |
|--------|---------|----------|---------------------------------|-------------|--------------|-------------------|------------|
| OD | 0.25 | 2.2-5.6M | 0.276 / 7.0 | 0.098 / 2.5 | 250 | 500 | .027 / .69 |
| OF | 0.50 | 2.2-20M | 0.406 / 10.3 | 0.150 / 3.8 | 350 | 700 | .029 / .75 |
| OA | 1.00 | 2.2-1M | 0.591 / 15.0 | 0.236 / 6.0 | 500 | 1000 | .035 / .92 |



ORDERING INFO

RoHS compliant

OD683JE

| Series | Ohms | Tolerance |
|--------|-------|------------|
| OD | 68G = | 6.8 J = 5% |
| OF | 680 = | 68 K = 10% |
| OA | 681 = | 680 |
| | 682 = | 6,800 |
| | 683 = | 68,000 |
| | 684 = | 680,000 |

STANDARD PART NUMBERS FOR STD. RESISTANCE VALUES

| Ohmic value | Wattage | | | Ohmic value | Wattage | | | Ohmic value | Wattage | | | Ohmic value | Wattage | | |
|-------------|---------|----|----|-------------|---------|----|----|-------------|---------|----|----|-------------|---------|----|---|
| | OD | OF | OA | | OD | OF | OA | | OD | OF | OA | | OD | OF | |
| 2.2 | ✓ | ✓ | ✓ | 56 | ✓ | ✓ | ✓ | 1,500 | ✓ | ✓ | ✓ | 39,000 | ✓ | ✓ | ✓ |
| 2.4 | ✓ | ✓ | ✓ | 62 | ✓ | ✓ | ✓ | 1,600 | ✓ | ✓ | ✓ | 43,000 | ✓ | ✓ | ✓ |
| 2.7 | ✓ | ✓ | ✓ | 68 | ✓ | ✓ | ✓ | 1,800 | ✓ | ✓ | ✓ | 47,000 | ✓ | ✓ | ✓ |
| 3 | ✓ | ✓ | ✓ | 75 | ✓ | ✓ | ✓ | 2,000 | ✓ | ✓ | ✓ | 51,000 | ✓ | ✓ | ✓ |
| 3.3 | ✓ | ✓ | ✓ | 82 | ✓ | ✓ | ✓ | 2,200 | ✓ | ✓ | ✓ | 56,000 | ✓ | ✓ | ✓ |
| 3.6 | ✓ | ✓ | ✓ | 91 | ✓ | ✓ | ✓ | 2,400 | ✓ | ✓ | ✓ | 62,000 | ✓ | ✓ | ✓ |
| 3.9 | ✓ | ✓ | ✓ | 100 | ✓ | ✓ | ✓ | 2,700 | ✓ | ✓ | ✓ | 68,000 | ✓ | ✓ | ✓ |
| 4.3 | ✓ | ✓ | ✓ | 110 | ✓ | ✓ | ✓ | 3,000 | ✓ | ✓ | ✓ | 75,000 | ✓ | ✓ | ✓ |
| 4.7 | ✓ | ✓ | ✓ | 120 | ✓ | ✓ | ✓ | 3,300 | ✓ | ✓ | ✓ | 82,000 | ✓ | ✓ | ✓ |
| 5.1 | ✓ | ✓ | ✓ | 130 | ✓ | ✓ | ✓ | 3,600 | ✓ | ✓ | ✓ | 91,000 | ✓ | ✓ | ✓ |
| 5.6 | ✓ | ✓ | ✓ | 150 | ✓ | ✓ | ✓ | 3,900 | ✓ | ✓ | ✓ | 100,000 | ✓ | ✓ | ✓ |
| 6.2 | ✓ | ✓ | ✓ | 160 | ✓ | ✓ | ✓ | 4,300 | ✓ | ✓ | ✓ | 110,000 | ✓ | ✓ | ✓ |
| 6.8 | ✓ | ✓ | ✓ | 180 | ✓ | ✓ | ✓ | 4,700 | ✓ | ✓ | ✓ | 120,000 | ✓ | ✓ | ✓ |
| 7.5 | ✓ | ✓ | ✓ | 200 | ✓ | ✓ | ✓ | 5,100 | ✓ | ✓ | ✓ | 130,000 | ✓ | ✓ | ✓ |
| 8.2 | ✓ | ✓ | ✓ | 220 | ✓ | ✓ | ✓ | 5,600 | ✓ | ✓ | ✓ | 150,000 | ✓ | ✓ | ✓ |
| 9.1 | ✓ | ✓ | ✓ | 240 | ✓ | ✓ | ✓ | 6,200 | ✓ | ✓ | ✓ | 160,000 | ✓ | ✓ | ✓ |
| 10 | ✓ | ✓ | ✓ | 270 | ✓ | ✓ | ✓ | 6,800 | ✓ | ✓ | ✓ | 180,000 | ✓ | ✓ | ✓ |
| 11 | ✓ | ✓ | ✓ | 300 | ✓ | ✓ | ✓ | 7,500 | ✓ | ✓ | ✓ | 200,000 | ✓ | ✓ | ✓ |
| 12 | ✓ | ✓ | ✓ | 330 | ✓ | ✓ | ✓ | 8,200 | ✓ | ✓ | ✓ | 220,000 | ✓ | ✓ | ✓ |
| 13 | ✓ | ✓ | ✓ | 360 | ✓ | ✓ | ✓ | 9,100 | ✓ | ✓ | ✓ | 240,000 | ✓ | ✓ | ✓ |
| 15 | ✓ | ✓ | ✓ | 390 | ✓ | ✓ | ✓ | 10,000 | ✓ | ✓ | ✓ | 270,000 | ✓ | ✓ | ✓ |
| 16 | ✓ | ✓ | ✓ | 430 | ✓ | ✓ | ✓ | 11,000 | ✓ | ✓ | ✓ | 300,000 | ✓ | ✓ | ✓ |
| 18 | ✓ | ✓ | ✓ | 470 | ✓ | ✓ | ✓ | 12,000 | ✓ | ✓ | ✓ | 330,000 | ✓ | ✓ | ✓ |
| 20 | ✓ | ✓ | ✓ | 510 | ✓ | ✓ | ✓ | 13,000 | ✓ | ✓ | ✓ | 360,000 | ✓ | ✓ | ✓ |
| 22 | ✓ | ✓ | ✓ | 560 | ✓ | ✓ | ✓ | 15,000 | ✓ | ✓ | ✓ | 390,000 | ✓ | ✓ | ✓ |
| 24 | ✓ | ✓ | ✓ | 620 | ✓ | ✓ | ✓ | 16,000 | ✓ | ✓ | ✓ | 430,000 | ✓ | ✓ | ✓ |
| 27 | ✓ | ✓ | ✓ | 680 | ✓ | ✓ | ✓ | 18,000 | ✓ | ✓ | ✓ | 470,000 | ✓ | ✓ | ✓ |
| 30 | ✓ | ✓ | ✓ | 750 | ✓ | ✓ | ✓ | 20,000 | ✓ | ✓ | ✓ | 510,000 | ✓ | ✓ | ✓ |
| 33 | ✓ | ✓ | ✓ | 820 | ✓ | ✓ | ✓ | 22,000 | ✓ | ✓ | ✓ | 560,000 | ✓ | ✓ | ✓ |
| 36 | ✓ | ✓ | ✓ | 910 | ✓ | ✓ | ✓ | 24,000 | ✓ | ✓ | ✓ | 620,000 | ✓ | ✓ | ✓ |
| 39 | ✓ | ✓ | ✓ | 1,000 | ✓ | ✓ | ✓ | 27,000 | ✓ | ✓ | ✓ | 680,000 | ✓ | ✓ | ✓ |
| 43 | ✓ | ✓ | ✓ | 1,100 | ✓ | ✓ | ✓ | 30,000 | ✓ | ✓ | ✓ | 750,000 | ✓ | ✓ | ✓ |
| 47 | ✓ | ✓ | ✓ | 1,200 | ✓ | ✓ | ✓ | 33,000 | ✓ | ✓ | ✓ | 820,000 | ✓ | ✓ | ✓ |
| 51 | ✓ | ✓ | ✓ | 1,300 | ✓ | ✓ | ✓ | 36,000 | ✓ | ✓ | ✓ | 910,000 | ✓ | ✓ | ✓ |
| | | | | | | | | | | | | 1 MEG | ✓ | ✓ | ✓ |