

DATA SHEET

OM4031T

Digital post-detection filter
for FSK data receivers

Preliminary specification
File under Integrated Circuits, IC03

October 1994

Philips Semiconductors



PHILIPS

Digital post-detection filter for FSK data receivers

OM4031T

FEATURES

- External clock frequency 30 to 80 kHz (typ. 38.4 kHz)
- Supported data rates 600, 1200, 2400 and 4800 bits/s (typ.)
- Double bandwidth option (not for 4800 bits/s)
- Schmitt-triggered inputs for optimum slope tolerance
- Enable input for power-down mode
- Open-drain output (3-state in power-down mode)
- No external components required
- Single supply voltage from 1.8 to 6.0 V
- Very low operating current (1.5 μ A typ.)
- Operating temperature from -10 to $+70$ °C.

APPLICATIONS

- Telemetry data receivers
- RF security systems
- Low-bit-rate radio data links
- Paging applications of UAA2080 and UAA2082 with software decoding.

GENERAL DESCRIPTION

The OM4031T is intended for performance enhancement of FSK data receivers that do not have a built-in post-detection filter.

It contains a digital moving average filter to remove noise from the demodulated data. When operated from a 38.4 kHz external clock it can handle data rates of 600, 1200 and 2400 bits/s at an oversampling rate of 16. The filter bandwidth can be doubled to ease the search for bit synchronization on the output data.

To allow for jitter in the input data, a 12-bit sample is taken for the majority decision. Doubling the filter bandwidth is realised by taking the majority out of 6 samples (2400 bits/s) or by doubling the sampling rate (600 and 1200 bits/s).

An input data rate of 4800 bits/s is supported at 8 times oversampling and normal bandwidth.

All inputs are Schmitt-triggered to ensure reliable operation even at signals with long rise/fall times.

QUICK REFERENCE DATA

SYMBOL	PARAMETER	CONDITIONS	MIN.	TYP.	MAX.	UNIT
V_{DD}	supply voltage		1.8	–	6.0	V
I_{DDPD}	power-down supply current	CE = V_{SS}	–	1.0	10.0	μ A
I_{DD}	operating supply current	CE = V_{DD} ; note 1	–	1.5	20.0	μ A
$P_{i(ref)}$	sensitivity improvement at 3% bit error rate	note 2 600 bits/s, 250 μ s slope 1200 bits/s, 250 μ s slope 2400 bits/s, 125 μ s slope	–	5.3 3.6 2.0	–	dB dB dB
T_{amb}	operating ambient temperature		-10	–	$+70$	°C

Notes

1. $V_{DD} = 2.0$ V; DOUT open-circuit; input data at 20 kHz random pattern.
2. Bench evaluated for UAA2080H at 470 MHz, not factory tested.

ORDERING INFORMATION

TYPE NUMBER	PACKAGE		
	NAME	DESCRIPTION	VERSION
OM4031T	SO8	plastic small outline package; 8 leads; body width 3.9 mm	SOT96-1

Digital post-detection filter
for FSK data receivers

OM4031T

BLOCK DIAGRAM

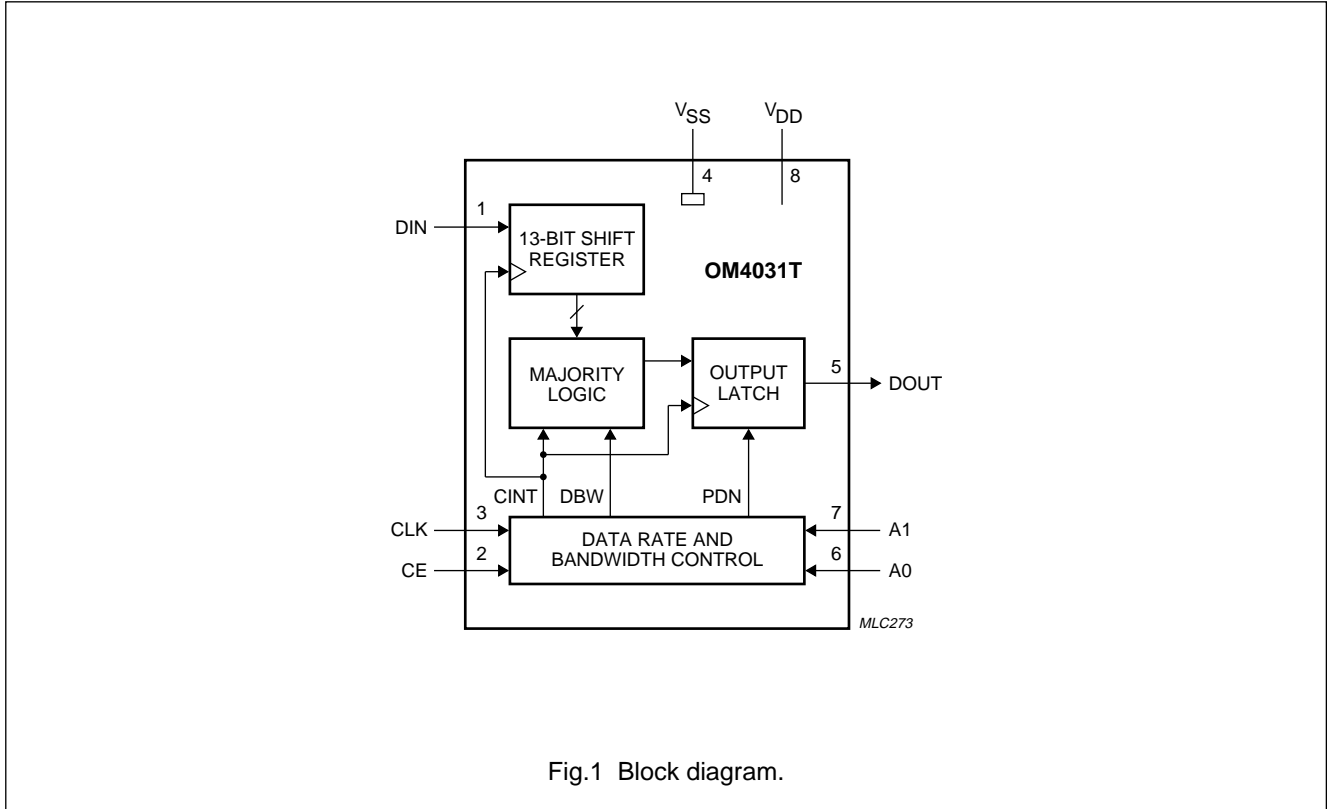


Fig.1 Block diagram.

PINNING

SYMBOL	PIN	DESCRIPTION
DIN	1	data input
CE	2	chip enable input
CLK	3	external clock input
V _{SS}	4	negative supply voltage
DOUT	5	data output (open-drain)
A0	6	data rate and bandwidth control input 0 (see Table 1)
A1	7	data rate and bandwidth control input 1 (see Table 1)
V _{DD}	8	positive supply voltage

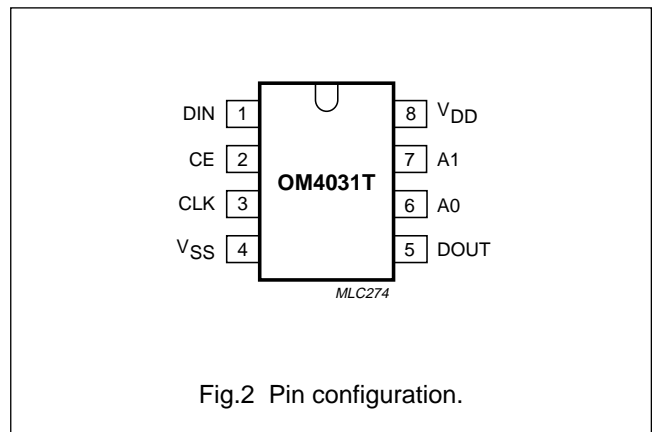


Fig.2 Pin configuration.

Digital post-detection filter for FSK data receivers

OM4031T

FUNCTIONAL DESCRIPTION

The OM4031T digital post-detection filter oversamples the noisy binary data stream at input DIN (pin 1), and outputs a noise-reduced data stream via open-drain output DOUT (pin 5). The filter bandwidth can be doubled to ease the search for bit synchronization on the data output signal.

Input sampling takes place at 16 times the data rate. For a typical clock frequency of 38.4 kHz the nominal data rates are 600, 1200 and 2400 bits/s. A data rate of 4800 bits/s can be handled at an oversampling rate of 8 and at normal bandwidth only.

Using a different clock frequency will produce bit rates equal to the clock frequency divided by 64, 32 or 16. When the clock frequency is not an integer multiple of the data rate some edge jitter will be introduced in the output data.

The clock frequency is not very critical for the noise filtering performance: a clock frequency of 32.768 kHz could be used at 512, 1200 and 2400 bits/s without loss of performance.

Since no on-chip oscillator is available an external clock signal is required at input CLK (pin 3). Two control inputs A0 and A1 (pins 6 and 7) are used for selection of the data rate and the filter bandwidth.

A separate enable input CE (pin 2) allows the circuit to be powered down. In power-down mode (CE = LOW) the system clock is inhibited and the data output DOUT is made 3-state and remains static.

Moving average noise filter

Noise reduction is achieved by applying a moving average filter on N samples of the input data signal. In principle N can be odd or even, but in the OM4031T an even number is used (N = 12). When there is no absolute majority (equal number of ones and zeroes) the previous majority output is maintained.

An odd value for N would always produce an absolute majority and not require decision feedback. However the noise performance is worse for odd values of N, because the output can toggle at every clock (e.g. when a 101010... pattern is clocked in). For even values of N the output polarity can only change once every 3 clocks and does not toggle at all for a 101010... or a 11001100... pattern.

Using 12 out of 16 samples for the majority decision produces a filter which combines good noise reduction with a large tolerance for data jitter (maximum $\frac{1}{8}$ -bit duration).

Filter implementation

The moving average filter is implemented using a 13-bit register and two state machines (COUNT and CLOCK) for the majority decision. The first stage of the shift register is used for input synchronization.

The CLOCK state machine generates the internal clock signal CINT and the bandwidth selection signal DBW in accordance with the logic levels on control lines CE, A0 and A1.

The majority decision is taken by state machine COUNT based on the contents of the input shift register and the previous decision in the output latch.

The doubled bandwidth is achieved by increasing the sampling rate by a factor of 2 for 600 and 1200 bits/s. For 2400 bits/s the number of samples for the majority decision is halved, controlled by the DBW signal. This signal is derived from the control signals as follows:

$$DBW = CE \cdot A0 \cdot \overline{A1}$$

Digital post-detection filter for FSK data receivers

OM4031T

Filter characteristic

The frequency characteristic of the moving average filter in the OM4031T is given in Fig.3 for N = 12 and N = 6.

The horizontal axis shows the normalized frequency f_N which is the ratio of the frequency f and the sampling frequency f_s . The value for f_s is given in Table 1 for the various data rates and filter bandwidths.

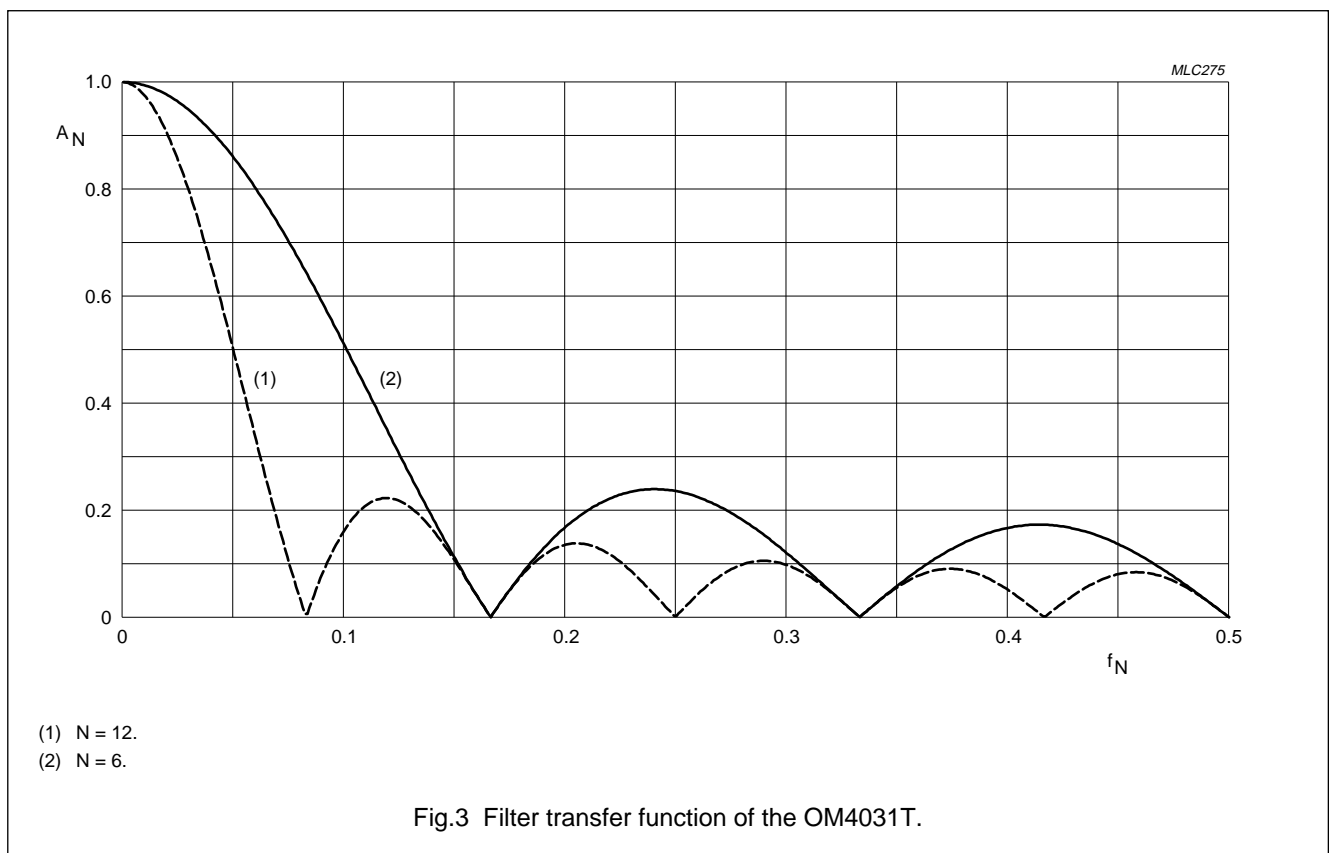
The vertical axis shows the normalized amplitude A_N .

At normal bandwidth the oversampling rate is 16, except for 4800 bits/s where it is 8. At double bandwidth the oversampling rate is 32, except for 2400 bits/s, where it is 16.

The 3 dB cut-off frequency is calculated as follows:

N = 12: $f_{co} = 0.0371 \times f_s$

N = 6: $f_{co} = 0.0748 \times f_s$



Digital post-detection filter for FSK data receivers

OM4031T

Noise reduction

The performance of the OM4031T was bench tested by measuring the sensitivity improvement (3% BER) of the UAA2080H pager receiver at various bit rates using a stand-alone pager receiver board (OM4647 at 470 MHz). The results are given in Chapter "AC Characteristics" .

The OM4031T was also tested in a POCSAG pager application using software decoding together with the UAA2080H receiver.

For 12-digit numeric messages at 1200 bits/s the typical sensitivity for 80% call success rate improved by 2.8 dB, as shown in Fig.4. .

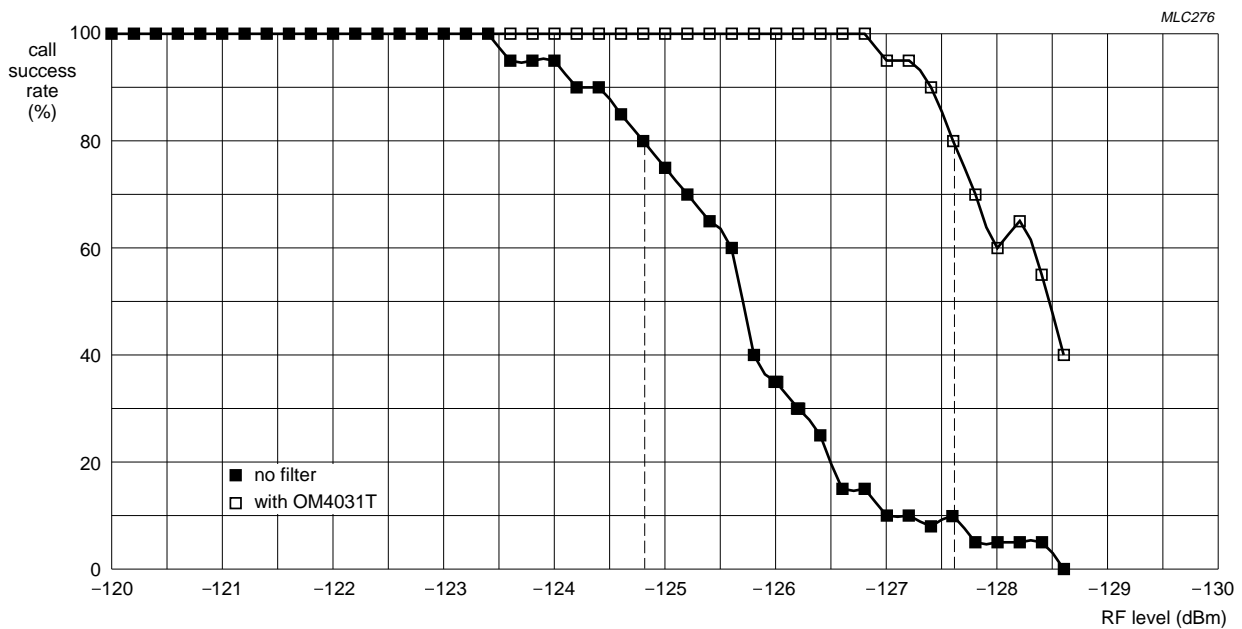


Fig.4 Paging call success rate improvement; 1200 bits/s, 12-digit numeric message.

Digital post-detection filter for FSK data receivers

OM4031T

OPERATING INSTRUCTIONS

Control signals

The operation of the OM4031T is determined by 3 control signals (CE, A0 and A1) and the clock frequency at input CLK. Table 1 shows the various possibilities for a typical clock frequency of 38.4 kHz.

The parameter N is the number of samples used in the calculation of the average bit value.

The parameter f_s is the input sampling frequency, assuming a 38.4 kHz external clock signal.

The logic levels on A0 and A1 can be changed while CE = HIGH, except to select or deselect 2400 bits/s with doubled bandwidth (A1 = LOW, A0 = HIGH). This mode must be entered or left while CE = LOW to avoid data errors on DOUT.

Table 1 Data rate and filter bandwidth selection

CE	A1	A0	N (samples)	f_s (kHz)	DATA RATE (bits/s)	
					NORMAL BANDWIDTH	DOUBLE BANDWIDTH
0	X	X	X	X	X	X
1	0	0	12	9.6	600	–
1	1	0	12	19.2	1200	600
1	0	1	6	38.4	4800 ⁽¹⁾	2400
1	1	1	12	38.4	2400	1200

Note

- At 4800 bits/s the oversampling rate is 8.

Power-down mode

To reduce power consumption the filter can be disabled by applying a LOW level to input CE. The result is as follows:

- The internal clock is inhibited
- Output DOUT is made 3-state and static.

Reset

The OM4031T is reset internally when power-down mode is left by applying a HIGH level to input CE. The actual reset takes place on the second falling edge on input CLK after CE = HIGH.

The status after reset is as follows:

- The shift register contains a 101010... pattern
- DOUT is made LOW.

After power-up input CE must be kept at a LOW level for at least one clock period on input CLK. This ensures a successful reset when CE is made HIGH.

Digital post-detection filter for FSK data receivers

OM4031T

LIMITING VALUES

In accordance with the Absolute Maximum Rating System (IEC134).

SYMBOL	PARAMETER	MIN.	MAX.	UNIT
V_{DD}	supply voltage	-0.5	7.0	V
V_I	input voltage on any pin	-0.5	$V_{DD} + 0.5$	V
I_I	DC input current all pins	-	20	mA
I_O	DC output current all pins	-	20	mA
P_{tot}	total power dissipation	-	150	mW
T_{amb}	operating ambient temperature	-10	+70	°C
T_{stg}	storage temperature	-55	+125	°C

DC CHARACTERISTICS

$V_{DD} = 1.8$ to 6.0 V; $V_{SS} = 0$ V; $T_{amb} = -10$ to $+70$ °C; unless otherwise specified.

SYMBOL	PARAMETER	CONDITIONS	MIN.	TYP.	MAX.	UNIT
Supplies						
V_{DD}	supply voltage		1.8	-	6.0	V
I_{DDPD}	power-down supply current	CE = V_{SS} ; note 1	-	1.0	10.0	μ A
I_{DD}	operating supply current	CE = V_{DD} ; notes 1 and 2	-	1.5	20.0	μ A
Inputs A0, A1, CLK and CE						
V_{IL}	LOW level input voltage		-0.5	-	+0.3 V_{DD}	V
V_{IH}	HIGH level input voltage		0.7 V_{DD}	-	$V_{DD} + 0.5$	V
I_{LI}	input leakage current	$V_I = V_{DD}$ or $V_I = V_{SS}$	-	-	1.0	μ A
C_I	input capacitance	tested on sample basis	-	2.0	-	pF
Output DOUT						
I_{OL}	LOW level output current	$V_{OL} = 0.4$ V	1.0	-	-	mA
I_{LO}	output leakage current	$V_{OH} = V_{DD}$	-	-	1.0	μ A

Notes

- $V_{DD} = 2.0$ V; $V_{IL} = V_{SS}$; $V_{IH} = V_{DD}$; DOUT is open-circuit; clock signal at input CLK; $f_{clk} = 38.4$ kHz, amplitude: V_{SS} to V_{DD} ; data signal at input DIN: random pattern at 20 kHz to simulate 2400 bits/s data with noise; $t_r = t_f = 5$ ns.
- The operating current will be higher than specified when the input signal amplitude is less than 100% (equals V_{SS} to V_{DD}) or when longer rise/fall times are used. This is caused by the Schmitt-trigger circuits drawing extra current.

Digital post-detection filter for FSK data receivers

OM4031T

AC CHARACTERISTICS
 $V_{DD} = 1.8$ to 6.0 V; $V_{SS} = 0$ V; $T_{amb} = -10$ to $+70$ °C; $f_{clk} = 38.4$ kHz; unless otherwise specified.

SYMBOL	PARAMETER	CONDITIONS	MIN.	TYP.	MAX.	UNIT	
External clock							
f_{clk}	external clock frequency		30	38.4	80	kHz	
Filter bandwidth (note 1)							
f_{co}	cut-off frequency (-3 dB)	normal bandwidth					
		600 bits/s	–	356	–	Hz	
		1200 bits/s	–	712	–	Hz	
		2400 bits/s	–	1425	–	Hz	
		4800 bits/s	–	2872	–	Hz	
		double bandwidth					
		600 bits/s	–	712	–	Hz	
1200 bits/s	–	1425	–	Hz			
2400 bits/s	–	2872	–	Hz			
Noise reduction (note 2)							
$P_{i(ref)}$	sensitivity improvement at 3% bit error rate	note 3					
		600 bits/s, 250 μ s slope	–	5.3	–	dB	
		1200 bits/s, 250 μ s slope	–	3.6	–	dB	
		2400 bits/s, 125 μ s slope	–	2.0	–	dB	

Notes

- Filter bandwidth is guaranteed by design. Values supplied are simulation results.
- Noise reduction is not factory tested, only bench evaluated.
- Sensitivity improvement was bench tested on the UAA2080H demonstration board OM4747. Test signal: preamble (101010...), $f_{IRF} = 469.950$ MHz, deviation = ± 4.0 kHz, slope = 10 to 90% of amplitude, $V_P = 2.05$ V, $T_{amb} = 25$ °C. See "UAA2080 data sheet, AC characteristics".

Digital post-detection filter for FSK data receivers

OM4031T

APPLICATION INFORMATION

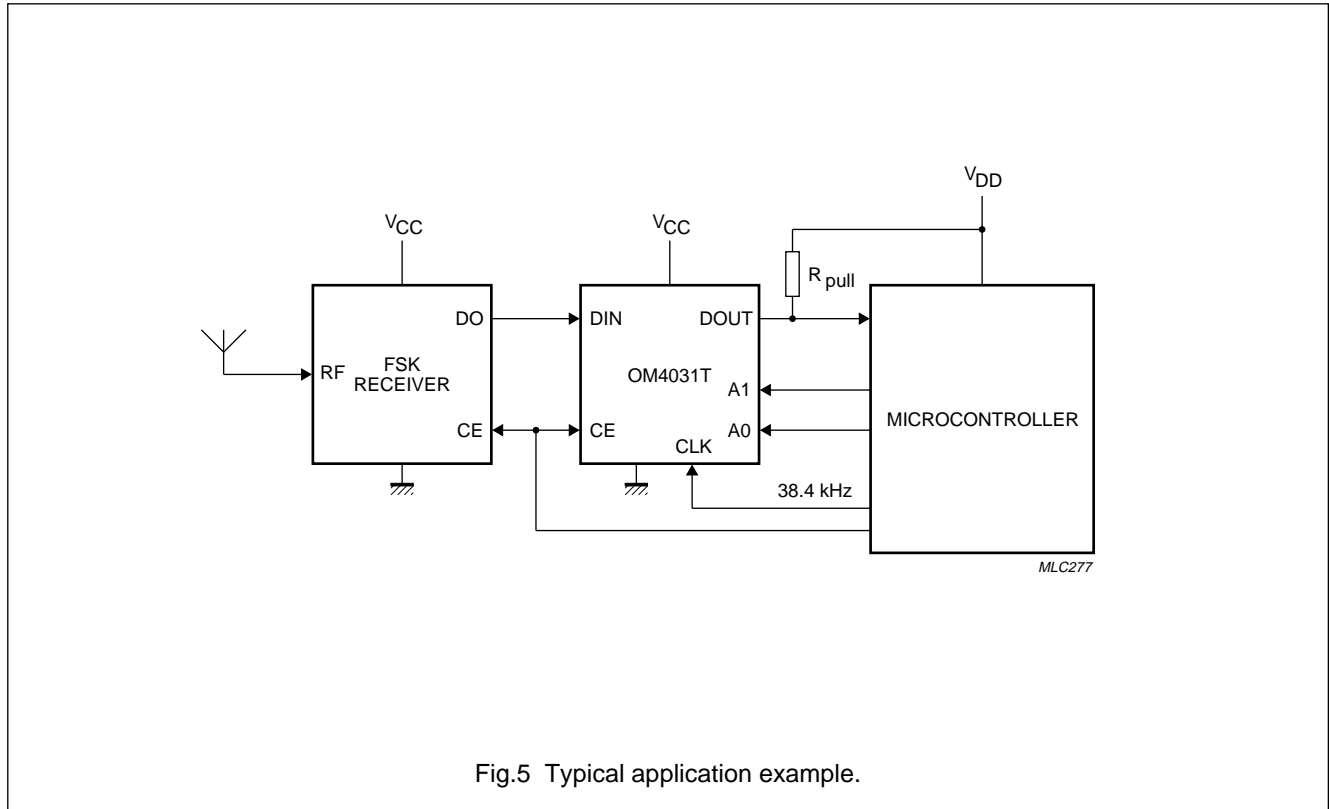


Fig.5 Typical application example.

The OM4031T will generally operate from the same power supply (V_{CC}) as the FSK data receiver providing its input data. The open-drain data output allows level shifting of the data to suit a microcontroller operating at a higher power supply voltage (V_{DD}).

The value of the pull-up resistor R_{pull} on output DOUT is determined by the type and number of input circuits to be driven. The required signal rise time must be balanced against the current drawn by the pull-up.

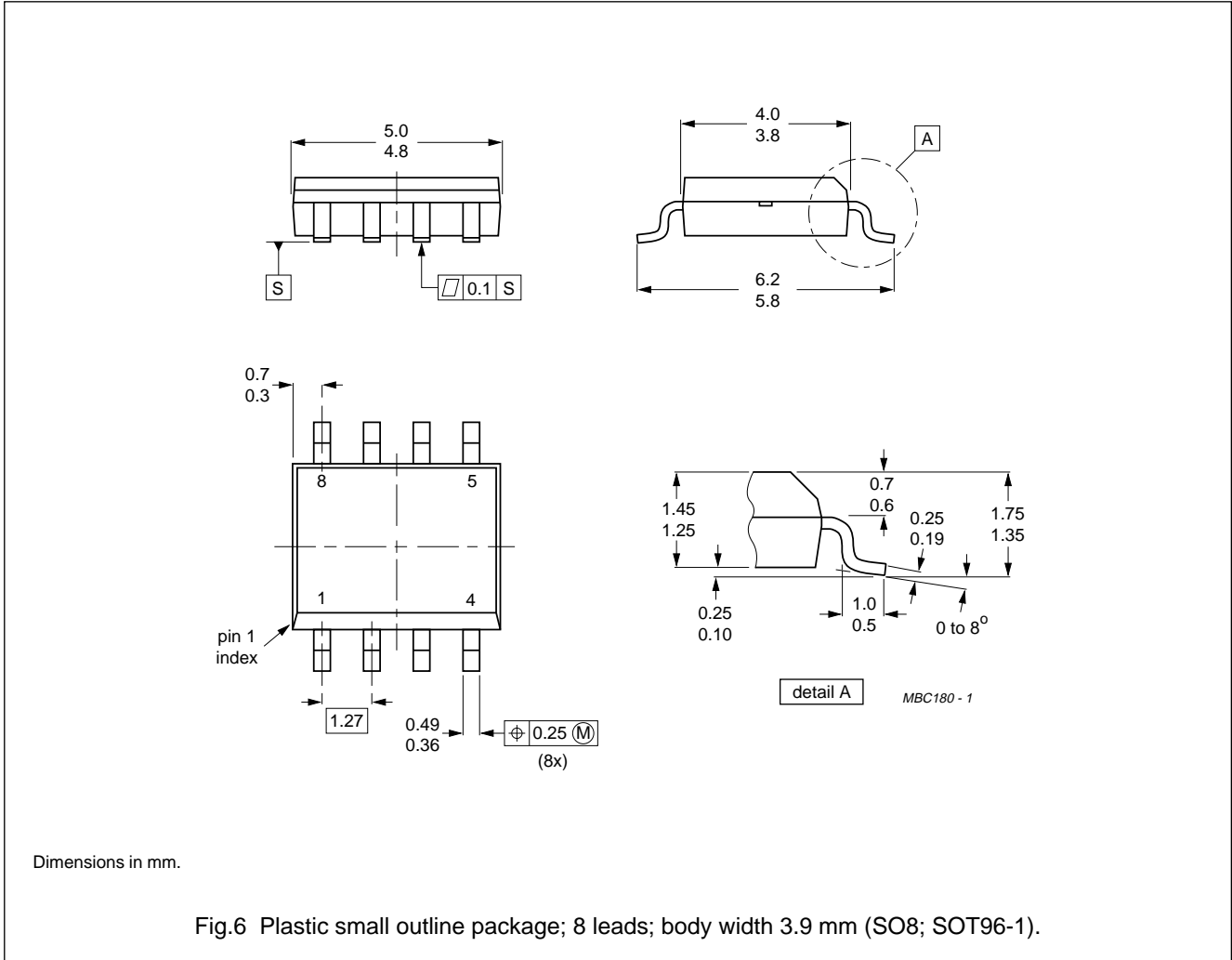
For the highest rate (2400 bits/s) the signal rise time should preferably be below 50 μ s.

For a single CMOS input with a 10 pF capacitance $R_{pull} = 1 \text{ M}\Omega$ gives a rise time of approximately 30 μ s ($3 \times t_{RC}$). At $V_{DD} = 2.0 \text{ V}$ this corresponds with a current of 2 μ A.

Digital post-detection filter
for FSK data receivers

OM4031T

PACKAGE OUTLINE



**Digital post-detection filter
for FSK data receivers**

OM4031T**SOLDERING****Plastic small-outline packages**

BY WAVE

During placement and before soldering, the component must be fixed with a droplet of adhesive. After curing the adhesive, the component can be soldered. The adhesive can be applied by screen printing, pin transfer or syringe dispensing.

Maximum permissible solder temperature is 260 °C, and maximum duration of package immersion in solder bath is 10 s, if allowed to cool to less than 150 °C within 6 s. Typical dwell time is 4 s at 250 °C.

A modified wave soldering technique is recommended using two solder waves (dual-wave), in which a turbulent wave with high upward pressure is followed by a smooth laminar wave. Using a mildly-activated flux eliminates the need for removal of corrosive residues in most applications.

BY SOLDER PASTE REFLOW

Reflow soldering requires the solder paste (a suspension of fine solder particles, flux and binding agent) to be

applied to the substrate by screen printing, stencilling or pressure-syringe dispensing before device placement.

Several techniques exist for reflowing; for example, thermal conduction by heated belt, infrared, and vapour-phase reflow. Dwell times vary between 50 and 300 s according to method. Typical reflow temperatures range from 215 to 250 °C.

Preheating is necessary to dry the paste and evaporate the binding agent. Preheating duration: 45 min at 45 °C.

REPAIRING SOLDERED JOINTS (BY HAND-HELD SOLDERING IRON OR PULSE-HEATED SOLDER TOOL)

Fix the component by first soldering two, diagonally opposite, end pins. Apply the heating tool to the flat part of the pin only. Contact time must be limited to 10 s at up to 300 °C. When using proper tools, all other pins can be soldered in one operation within 2 to 5 s at between 270 and 320 °C. (Pulse-heated soldering is not recommended for SO packages.)

For pulse-heated solder tool (resistance) soldering of VSO packages, solder is applied to the substrate by dipping or by an extra thick tin/lead plating before package placement.

Digital post-detection filter for FSK data receivers

OM4031T

DEFINITIONS

Data sheet status	
Objective specification	This data sheet contains target or goal specifications for product development.
Preliminary specification	This data sheet contains preliminary data; supplementary data may be published later.
Product specification	This data sheet contains final product specifications.
Limiting values	
Limiting values given are in accordance with the Absolute Maximum Rating System (IEC 134). Stress above one or more of the limiting values may cause permanent damage to the device. These are stress ratings only and operation of the device at these or at any other conditions above those given in the Characteristics sections of the specification is not implied. Exposure to limiting values for extended periods may affect device reliability.	
Application information	
Where application information is given, it is advisory and does not form part of the specification.	

LIFE SUPPORT APPLICATIONS

These products are not designed for use in life support appliances, devices, or systems where malfunction of these products can reasonably be expected to result in personal injury. Philips customers using or selling these products for use in such applications do so at their own risk and agree to fully indemnify Philips for any damages resulting from such improper use or sale.

Digital post-detection filter
for FSK data receivers

OM4031T

NOTES

Digital post-detection filter
for FSK data receivers

OM4031T

NOTES

Philips Semiconductors – a worldwide company

Argentina: IEROD, Av. Juramento 1992 - 14.b, (1428)
BUENOS AIRES, Tel. (541)786 7633, Fax. (541)786 9367

Australia: 34 Waterloo Road, NORTH RYDE, NSW 2113,
Tel. (02)805 4455, Fax. (02)805 4466

Austria: Triester Str. 64, A-1101 WIEN, P.O. Box 213,
Tel. (01)60 101-1236, Fax. (01)60 101-1211

Belgium: Postbus 90050, 5600 PB EINDHOVEN, The Netherlands,
Tel. (31)40 783 749, Fax. (31)40 788 399

Brazil: Rua do Rocio 220 - 5th floor, Suite 51,
CEP: 04552-903-SÃO PAULO-SP, Brazil.
P.O. Box 7383 (01064-970).
Tel. (011)821-2333, Fax. (011)829-1849

Canada: PHILIPS SEMICONDUCTORS/COMPONENTS:
Tel. (800) 234-7381, Fax. (708) 296-8556

Chile: Av. Santa Maria 0760, SANTIAGO,
Tel. (02)773 816, Fax. (02)777 6730

Colombia: IPRELENZO LTDA, Carrera 21 No. 56-17,
77621 BOGOTA, Tel. (571)249 7624/(571)217 4609,
Fax. (571)217 4549

Denmark: Prags Boulevard 80, PB 1919, DK-2300 COPENHAGEN S,
Tel. (032)88 2636, Fax. (031)57 1949

Finland: Sinikalliontie 3, FIN-02630 ESPOO,
Tel. (9)0-50261, Fax. (9)0-520971

France: 4 Rue du Port-aux-Vins, BP317,
92156 SURESNES Cedex,
Tel. (01)4099 6161, Fax. (01)4099 6427

Germany: P.O. Box 10 63 23, 20043 HAMBURG,
Tel. (040)3296-0, Fax. (040)3296 213.

Greece: No. 15, 25th March Street, GR 17778 TAVROS,
Tel. (01)4894 339/4894 911, Fax. (01)4814 240

Hong Kong: PHILIPS HONG KONG Ltd., 6/F Philips Ind. Bldg.,
24-28 Kung Yip St., KWAI CHUNG, N.T.,
Tel. (852)424 5121, Fax. (852)428 6729

India: Philips INDIA Ltd, Shivsagar Estate, A Block,
Dr. Annie Besant Rd. Worli, Bombay 400 018
Tel. (022)4938 541, Fax. (022)4938 722

Indonesia: Philips House, Jalan H.R. Rasuna Said Kav. 3-4,
P.O. Box 4252, JAKARTA 12950,
Tel. (021)5201 122, Fax. (021)5205 189

Ireland: Newstead, Clonskeagh, DUBLIN 14,
Tel. (01)640 000, Fax. (01)640 200

Italy: PHILIPS SEMICONDUCTORS S.r.l.,
Piazza IV Novembre 3, 20124 MILANO,
Tel. (0039)2 6752 2531, Fax. (0039)2 6752 2557

Japan: Philips Bldg 13-37, Kohnan2-chome, Minato-ku, TOKYO 108,
Tel. (03)3740 5028, Fax. (03)3740 0580

Korea: (Republic of) Philips House, 260-199 Itaewon-dong,
Yongsan-ku, SEOUL, Tel. (02)794-5011, Fax. (02)798-8022

Malaysia: No. 76 Jalan Universiti, 46200 PETALING JAYA,
SELANGOR, Tel. (03)750 5214, Fax. (03)757 4880

Mexico: 5900 Gateway East, Suite 200, EL PASO, TX 79905,
Tel. 9-5(800)234-7381, Fax. (708)296-8556

Netherlands: Postbus 90050, 5600 PB EINDHOVEN, Bldg. VB
Tel. (040)783749, Fax. (040)788399

New Zealand: 2 Wagener Place, C.P.O. Box 1041, AUCKLAND,
Tel. (09)849-4160, Fax. (09)849-7811

Norway: Box 1, Manglerud 0612, OSLO,
Tel. (022)74 8000, Fax. (022)74 8341

Pakistan: Philips Electrical Industries of Pakistan Ltd.,
Exchange Bldg. ST-2/A, Block 9, KDA Scheme 5, Clifton,
KARACHI 75600, Tel. (021)587 4641-49,
Fax. (021)577035/5874546.

Philippines: PHILIPS SEMICONDUCTORS PHILIPPINES Inc,
106 Valero St. Salcedo Village, P.O. Box 2108 MCC, MAKATI,
Metro MANILA, Tel. (02)810 0161, Fax. (02)817 3474

Portugal: PHILIPS PORTUGUESA, S.A.,
Rua dr. António Loureiro Borges 5, Arquiparque - Miraflores,
Apartado 300, 2795 LINDA-A-VELHA,
Tel. (01)4163160/4163333, Fax. (01)4163174/4163366.

Singapore: Lorong 1, Toa Payoh, SINGAPORE 1231,
Tel. (65)350 2000, Fax. (65)251 6500

South Africa: S.A. PHILIPS Pty Ltd.,
195-215 Main Road Martindale, 2092 JOHANNESBURG,
P.O. Box 7430 Johannesburg 2000,
Tel. (011)470-5911, Fax. (011)470-5494.

Spain: Balmes 22, 08007 BARCELONA,
Tel. (03)301 6312, Fax. (03)301 42 43

Sweden: Kottbygatan 7, Akalla. S-164 85 STOCKHOLM,
Tel. (0)8-632 2000, Fax. (0)8-632 2745

Switzerland: Allmendstrasse 140, CH-8027 ZÜRICH,
Tel. (01)488 2211, Fax. (01)481 77 30

Taiwan: PHILIPS TAIWAN Ltd., 23-30F, 66, Chung Hsiao West
Road, Sec. 1. Taipei, Taiwan ROC, P.O. Box 22978,
TAIPEI 100, Tel. (02)388 7666, Fax. (02)382 4382.

Thailand: PHILIPS ELECTRONICS (THAILAND) Ltd.,
209/2 Sanpavuth-Bangna Road Prakanong,
Bangkok 10260, THAILAND,
Tel. (662)398-0141, Fax. (662)398-3319.

Turkey: Talatpasa Cad. No. 5, 80640 GÜLTEPE/ISTANBUL,
Tel. (0212)279 2770, Fax. (0212)269 3094

United Kingdom: Philips Semiconductors LTD.,
276 Bath road, Hayes, MIDDLESEX UB3 5BX,
Tel. (081)73050000, Fax. (081)7548421

United States: 811 East Arques Avenue, SUNNYVALE,
CA 94088-3409, Tel. (800)234-7381, Fax. (708)296-8556

Uruguay: Coronel Mora 433, MONTEVIDEO,
Tel. (02)70-4044, Fax. (02)92 0601

For all other countries apply to: Philips Semiconductors,
International Marketing and Sales, Building BE-p,
P.O. Box 218, 5600 MD, EINDHOVEN, The Netherlands,
Telex 35000 phtcnl, Fax. +31-40-724825

SCD35 © Philips Electronics N.V. 1994

All rights are reserved. Reproduction in whole or in part is prohibited without the prior written consent of the copyright owner.

The information presented in this document does not form part of any quotation or contract, is believed to be accurate and reliable and may be changed without notice. No liability will be accepted by the publisher for any consequence of its use. Publication thereof does not convey nor imply any license under patent- or other industrial or intellectual property rights.

Printed in The Netherlands

Philips Semiconductors



PHILIPS