

OM7605C8

Low Power 32.768kHz SM Oscillator

- Ultra low power consumption
- Ultra-miniature 32.768kHz oscillator
- Tight frequency tolerance
- Optional AEC-Q200 qualification
- High shock and vibration resistance

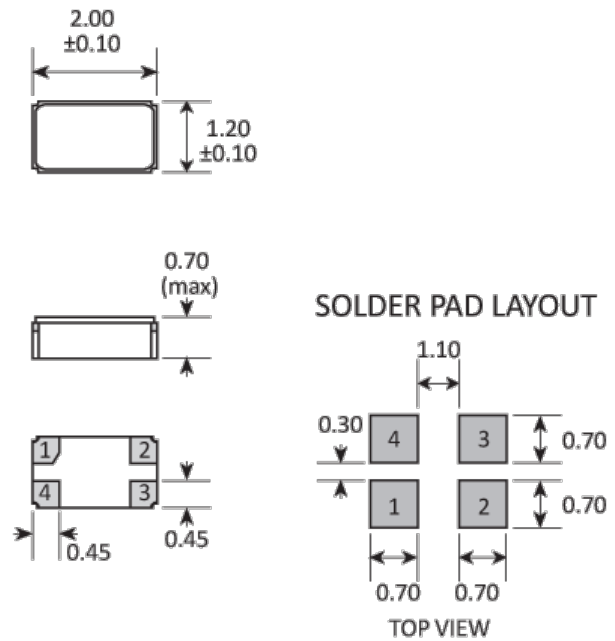


CONFIGURABLE OPTIONS

Parameter	Option Code
Calibration tolerance	
±20ppm max	B
Qualification	
Any	
Commercial	
AEC-Q200 (Automotive)	A

SPECIFICATIONS

Frequency	32.768kHz
Dimensions	2.0 x 1.2 x 0.7mm
Operating temperature range	-40 to +85 °C
Turnover temperature (T ₀)	+25 °C ±5 °C
Frequency / temp coefficient	-0.035ppm/°C ² ±10%
Storage temperature range	-55 to +125 °C
Supply voltage (V _{DD})	Operable from 1.6 ~ 5.5V
Supply current (backup mode)	0.45µA typ, 0.65µA max (V _{DD} 3.0V, output disabled)
Logic levels	'0' level = +0.4V max '1' level = V _{DD} -0.4V min
Waveform symmetry	40:60 max @ 50%V _{DD}
Driving ability	10pF CMOS
Voltage coefficient	±3ppm/V max
Rise / fall time	30ns typ, 70ns max
Start up time	500ms max @ 25 °C
Enable / disable time	Control via pad 3
Ageing	±3ppm max first year @ 25 °C
Shock resistance	±5ppm, 5,000g, 0.3ms ½-sine
Vibration resistance	±5ppm, 20g rms 10.0 ~ 2,000Hz
Soldering condition	Reflow, 260 °C, 20 sec max

PACKAGE DRAWING


PAD	CONNECTION
1	Output
2	Ground
3	Enable / disable
4	Supply

Dimensions in mm

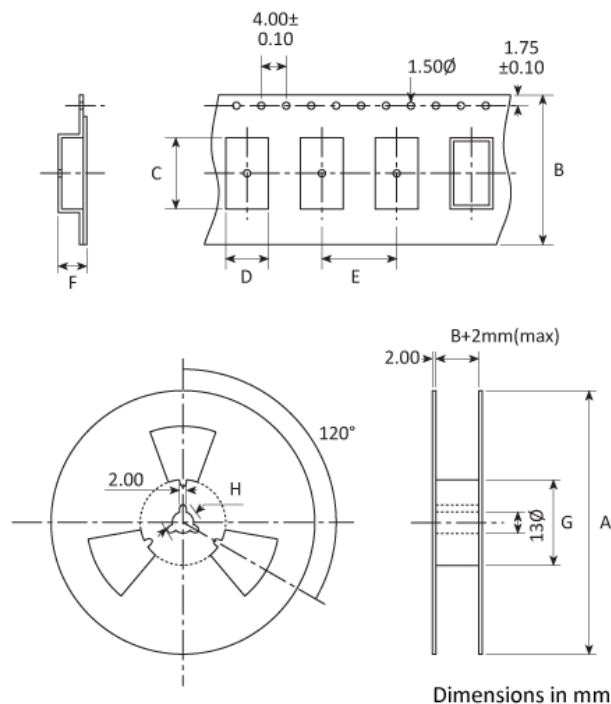
ORDERING INFORMATION

To request a quotation for the OM7605C8 please use the configurable options form to choose the options you require and then submit your configured product to our team. Our expert advisers are always happy to help with your requirements and can be contacted on +44 1460 256 100 or at sales@golledge.com.

Following product selection you will be issued with a seven character Golledge part number. Your Golledge part number is the internationally accepted Golledge manufacturing part number (MPN) that should be used for all project documentation, including bills of materials (BoMs) and purchase orders.

If you have any queries regarding any of our documentation our dedicated sales team will be happy to help.

TAPE & REEL SPECIFICATION



A:178 / B:8 / C:2.3 / D:1.5 / E:4 / F:0.9 / G:61.5 / H:21

ENABLE / DISABLE FUNCTION

Input (pad 3)	Output (pad 1)
'1' level	Enabled
'0' level	Disabled

Note: Pad 3 should not be allowed to float

HANDLING & STORAGE



Human Body Model (HBM) 1A (250V to <500V)



Moisture Sensitivity Level (MSL): 1 (or not applicable)

CONSTRUCTION

Ceramic base and metal lid

MATERIAL COMPOSITION



Lead-free (< 0.1% by weight)



RoHS 2 compliant with no exemptions. [See our declaration](#)



REACH compliant. [See our statement](#)



Free of conflict minerals. [See our declaration](#)



Free of Halogens. [See our declaration](#)

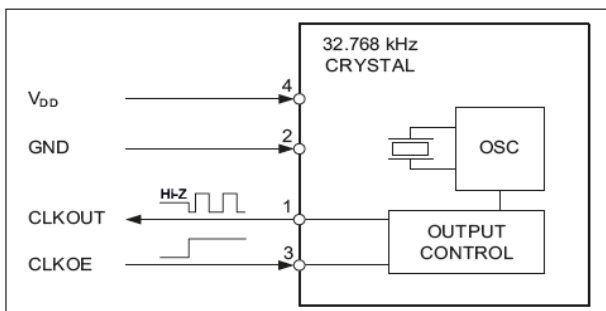


Free of Ozone-depleting substances. [See our declaration](#)



Nominal Net Mass: 5.1mg

BLOCK DIAGRAM



OTHER INFORMATION

About Golledge

We are the UK's leading supplier of frequency control products and are proud to serve the global electronics industry. Our philosophy is a focus firmly on your requirements by striving to meet and exceed your needs. We do this by ensuring the utmost quality and consistency in our products and services. If you have any queries about the Golledge service or any of our products please get in touch, we'd love to hear from you.

Come and visit

Eaglewood Park, ILMINSTER,
Somerset, TA19 9DQ, England

Give us a call

Tel: +44 1460 256 100
Fax: +44 1460 256 101

Email us

sales@golledge.com

Our Worldwide Distributors

Belgium & Luxembourg

Alcom Electronics NV/SA



Email info@alcom.be
Web www.alcom.be
Tel +32 (0)3 458.30.33

China, Hong Kong - 中国 / 香港

Meiya China



Email sales@meiyatech.com
Web www.meiyatech.com
Tel +86 755 2823 1923

France

Equipments Scientifique



Email comp@es-france.com
Web www.es-france.com
Tel +33 1 47 95 99 89

Germany

MEV Elektronik Service GmbH



Email info@mev-elektronik.com
Web www.mev-elektronik.com
Tel +49 54 24 23 40-0

India

V5 Semiconductors



Email sales@v5semiconductors.com
Web v5semiconductors.com
Tel +91-80-2661 0621

Israel

Phoenix Technologies Ltd



Email sales@phnx.co.il
Web www.phnx.co.il
Tel +972 9 764 4800

Netherlands

Alcom Electronics BV



Email info@alcom.nl
Web alcom.nl
Tel +31 (0)10 288.25.00

Norway

Link Nordic



Email bjorn.nyjordet@linknordic.com
Web linknordic.com
Tel +47 93 22 68 90

Russia - Россия

EFO Ltd



Email elena@efo.ru
Web www.golledge.ru
Tel +7(812)327-8654

Spain & Portugal

R.C. Microelectronica, S.A.



Email ventas@rcmicro.es
Web www.rcmicro.es
Tel +34 93 260 21 66

Our customer feedback is testament to our quality; "Never had such good service as this from anyone in 35 years of being in the industry, this is impressive and has really helped us out of a corner to keep the design flowing" Andy (Senior Design Engineer), "As always your support is state of the art" Nicoleta (Material Management), "Legendary work - as usual it has to be said" John (Operations).

To take advantage of our highly praised service get in touch with us today.