

## Wide-Bandwidth, DC Restoration Circuit

### FEATURES

- PROPAGATION DELAY: 1.9ns
- BANDWIDTH:  
OTA: 710MHz  
Comparator: 730MHz
- LOW INPUT BIAS CURRENT:  $\pm 1\mu\text{A}$
- SAMPLE-AND-HOLD SWITCHING TRANSIENTS:  $\pm 5\text{mV}$
- SAMPLE-AND-HOLD FEEDTHROUGH REJECTION: 100dB
- CHARGE INJECTION: 40fC
- HOLD COMMAND DELAY TIME: 2.5ns
- TTL/CMOS HOLD CONTROL

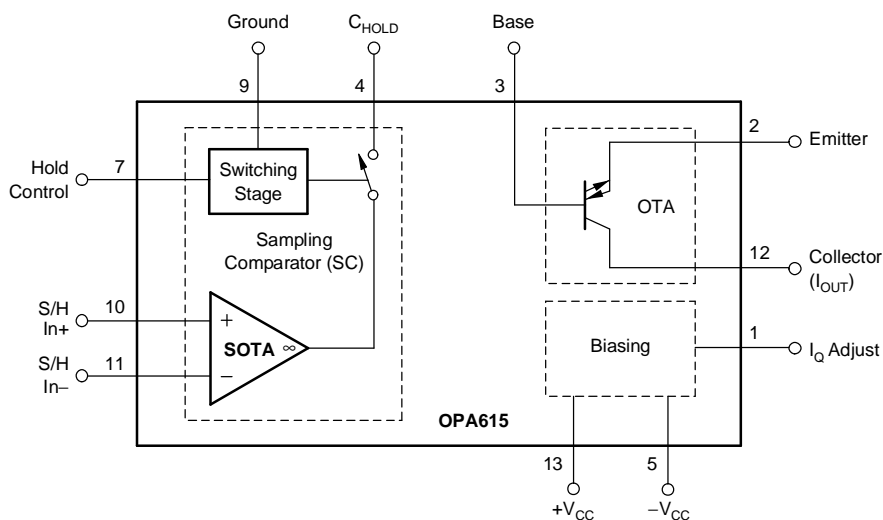
### APPLICATIONS

- BROADCAST/HDTV EQUIPMENT
- TELECOMMUNICATIONS EQUIPMENT
- HIGH-SPEED DATA ACQUISITION
- CAD MONITORS/CCD IMAGE PROCESSING
- NANOSECOND PULSE INTEGRATOR/PEAK DETECTOR
- PULSE CODE MODULATOR/DEMODULATOR
- COMPLETE VIDEO DC LEVEL RESTORATION
- SAMPLE-AND-HOLD AMPLIFIER
- SHC615 UPGRADE

### DESCRIPTION

The OPA615 is a complete subsystem for very fast and precise DC restoration, offset clamping, and low-frequency hum suppression of wideband amplifiers or buffers. Although it is designed to stabilize the performance of video signals, the circuit can also be used as a sample-and-hold amplifier, high-speed integrator, or peak detector for nanosecond pulses. The device features a wideband Operational Transconductance Amplifier (OTA) with a high-impedance cascode current source output and fast and precise sampling comparator that together set a new standard for high-speed applications. Both the OTA and the sampling comparator can be used as stand-alone circuits or combined to form a more complex signal processing stage. The self-biased, bipolar OTA can be viewed as an ideal voltage-controlled current source and is optimized for low input bias current. The sampling comparator has two identical high-impedance inputs and a current source output optimized for low output bias current and offset voltage; it can be controlled by a TTL-compatible switching stage within a few nanoseconds. The transconductance of the OTA and sampling comparator can be adjusted by an external resistor, allowing bandwidth, quiescent current, and gain trade-offs to be optimized.

The OPA615 is available in both an SO-14 surface-mount and an MSOP-10 package.



Please be aware that an important notice concerning availability, standard warranty, and use in critical applications of Texas Instruments semiconductor products and disclaimers thereto appears at the end of this data sheet.



This integrated circuit can be damaged by ESD. Texas Instruments recommends that all integrated circuits be handled with appropriate precautions. Failure to observe proper handling and installation procedures can cause damage.

ESD damage can range from subtle performance degradation to complete device failure. Precision integrated circuits may be more susceptible to damage because very small parametric changes could cause the device not to meet its published specifications.

### ORDERING INFORMATION<sup>(1)</sup>

PRODUCT	PACKAGE	PACKAGE DESIGNATOR	SPECIFIED TEMPERATURE RANGE	PACKAGE MARKING	ORDERING NUMBER	TRANSPORT MEDIA, QUANTITY
OPA615	SO-14	D	–40°C to +85°C	OPA615ID	OPA615ID	Rails, 50
					OPA615IDR	Tape and Reel, 2500
OPA615	MSOP-10 <sup>(2)</sup>	DGS	–40°C to +85°C	BJT	OPA615IDGST	Tape and Reel, 250
					OPA615IDGSR	Tape and Reel, 2500

(1) For the most current package and ordering information, see the Package Option Addendum at the end of this document, or see the TI website at [www.ti.com](http://www.ti.com).

(2) Available Q1 2006.

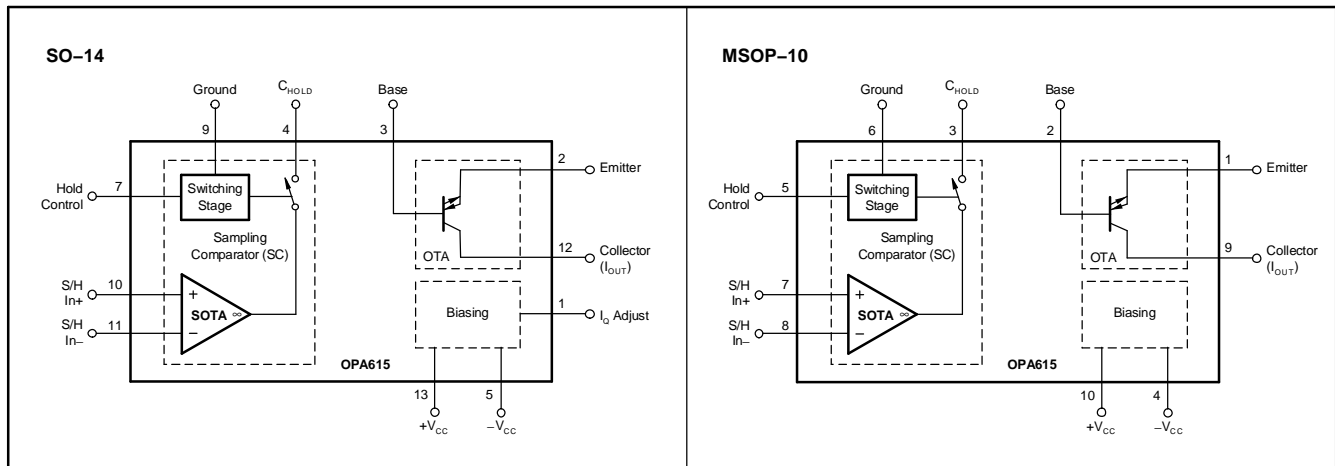
### ABSOLUTE MAXIMUM RATINGS<sup>(1)</sup>

Supply Voltage	±6.5V
Differential Input Voltage	±V <sub>S</sub>
Common-Mode Input Voltage Range	±V <sub>S</sub>
Hold Control Pin Voltage	–V <sub>S</sub> → +V <sub>S</sub>
Storage Temperature Range	–40°C to +125°C
Lead Temperature (10s soldering)	+260°C
Junction Temperature (T <sub>J</sub> )	+150°C
ESD Ratings:	
Human Body Model (HBM) <sup>(2)</sup>	1000V
Charge Device Model (CDM)	1000V
Machine Model (MM)	150V

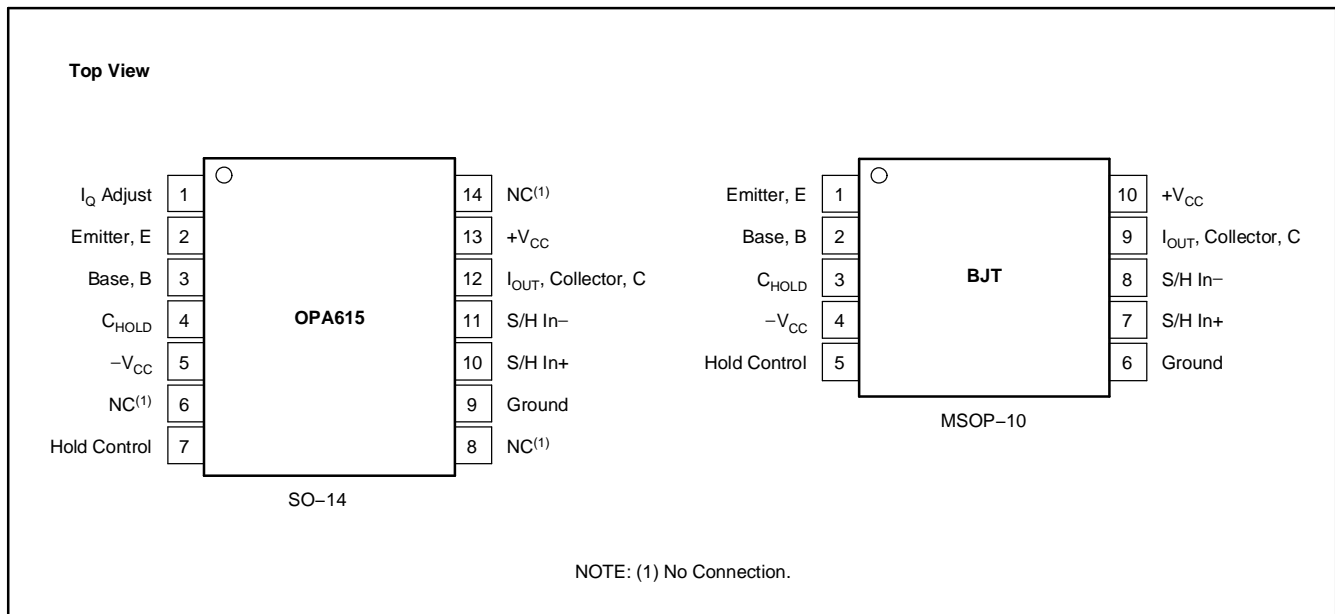
(1) Stresses above these ratings may cause permanent damage. Exposure to absolute maximum conditions for extended periods may degrade device reliability. These are stress ratings only, and functional operation of the device at these or any other conditions beyond those specified is not implied.

(2) Pin 2 for the SO-14 package and pin 1 for the MSOP-10 package > 500V HBM.

**BLOCK DIAGRAMS**



**PIN CONFIGURATIONS**



**ELECTRICAL CHARACTERISTICS:  $V_S = \pm 5V$** 
 $R_L = 100\Omega$ ,  $R_Q = 300\Omega$ , and  $R_{IN} = 50\Omega$ , unless otherwise noted.

PARAMETER	CONDITIONS	OPA615ID, OPA615IDGS				UNITS	MIN/ MAX	TEST LEVEL <sup>(1)</sup>
		TYP	MIN/MAX OVER TEMPERATURE					
		+25°C	+25°C <sup>(2)</sup>	0°C to 70°C <sup>(3)</sup>	-40°C to +85°C <sup>(3)</sup>			
<b>AC PERFORMANCE (OTA)</b>		See Figure 36b						
Small Signal Bandwidth (B to E)	$V_O = 200mV_{PP}$ , $R_L = 500\Omega$	710				MHz	min	C
	$V_O = 1.4V_{PP}$ , $R_L = 500\Omega$	770				MHz	min	C
	$V_O = 2.8V_{PP}$ , $R_L = 500\Omega$	230				MHz	min	C
Large Signal Bandwidth (B to E)	$V_O = 5V_{PP}$ , $R_L = 500\Omega$	200				MHz	min	C
Small Signal Bandwidth (B to C)	$G = +1$ , $V_O = 200mV_{PP}$ , $R_L = 100\Omega$	440				MHz	min	C
	$G = +1$ , $V_O = 1.4V_{PP}$ , $R_L = 100\Omega$	475				MHz	min	C
	$G = +1$ , $V_O = 2.8V_{PP}$ , $R_L = 100\Omega$	230				MHz	min	C
Large Signal Bandwidth (B to C)	$G = +1$ , $V_O = 5V_{PP}$ , $R_L = 100\Omega$	230				MHz	min	C
Rise-and-Fall Time (B to E)	$V_O = 2V_{PP}$ , $R_L = 500\Omega$	2				ns	max	C
Rise-and-Fall Time (B to C)	$G = +1$ , $V_O = 2V_{PP}$ , $R_L = 100\Omega$	2				ns	max	C
Harmonic Distortion (B to E)	$R_E = 100\Omega$							
2nd-Harmonic	$V_O = 1.4V_{PP}$ , $f = 30MHz$	-62	-50	-48	-47	dBc	min	B
3rd-Harmonic	$V_O = 1.4V_{PP}$ , $f = 30MHz$	-47	-40	-35	-33	dBc	min	B
Input Voltage Noise	Base Input, $f > 100kHz$	4.6	6.2	6.9	7.4	$nV/\sqrt{Hz}$	max	B
Input Current Noise	Base Input, $f > 100kHz$	2.5	3.1	3.6	3.9	$pA/\sqrt{Hz}$	max	B
Input Current Noise	Emitter Input, $f > 100kHz$	21	23	25	27	$pA/\sqrt{Hz}$	max	B
<b>DC PERFORMANCE (OTA)</b>		See Figure 37b						
Transconductance (V-base to I-collector)	$V_B = \pm 5mV_{PP}$ , $R_C = 0\Omega$ , $R_E = 0\Omega$	72	<b>65</b>	63	58	$mA/V$	min	A
B-Input Offset Voltage	$V_B = 0V$ , $R_C = 0V$ , $R_E = 100\Omega$	$\pm 4$	<b><math>\pm 40</math></b>	$\pm 47$	$\pm 50$	mV	max	A
B-Input Offset Voltage Drift	$V_B = 0V$ , $R_C = 0V$ , $R_E = 100\Omega$			$\pm 160$	$\pm 160$	$\mu V/^\circ C$	max	B
B-Input Bias Current	$V_B = 0V$ , $R_C = 0V$ , $R_E = 100\Omega$	$\pm 0.5$	<b><math>\pm 0.9</math></b>	$\pm 1.5$	$\pm 1.7$	$\mu A$	max	A
B-Input Bias Current Drift	$V_B = 0V$ , $R_C = 0V$ , $R_E = 100\Omega$			$\pm 12$	$\pm 12$	$nA/^\circ C$	max	B
E-Input Bias Current	$V_B = 0V$ , $V_C = 0V$	$\pm 35$	<b><math>\pm 110</math></b>	$\pm 120$	$\pm 135$	$\mu A$	min	A
E-Input Bias Current Drift	$V_B = 0V$ , $V_C = 0V$			$\pm 200$	$\pm 250$	$nA/^\circ C$	max	B
C-Output Bias Current	$V_B = 0V$ , $V_C = 0V$	$\pm 35$	<b><math>\pm 100</math></b>	$\pm 110$	$\pm 125$	$\mu A$	max	A
C-Output Bias Current	$V_B = 0V$ , $V_C = 0V$			$\pm 200$	$\pm 250$	$nA/^\circ C$	max	B
<b>INPUT (OTA Base)</b>		See Figure 37b						
Input Voltage Range	$R_E = 100\Omega$	$\pm 3.4$	<b><math>\pm 3.2</math></b>	$\pm 3.1$	$\pm 3.0$	V	min	B
Input Impedance	B-Input	$7 \parallel 1.5$				$M\Omega \parallel pF$	typ	C
OTA Power-Supply Rejection Ratio (-PSRR)	$\pm V_S$ to $V_{IO}$ at E-Input	54	<b>49</b>	47	46	dB	min	A
<b>OUTPUT (OTA Collector)</b>		See Figure 37b						
Output Voltage Compliance	$I_E = 2mA$	$\pm 3.5$	<b><math>\pm 3.4</math></b>	$\pm 3.4$	$\pm 3.4$	V	min	A
Output Current	$V_C = 0V$	$\pm 20$	<b><math>\pm 18</math></b>	$\pm 17$	$\pm 17$	mA	min	A
Output Impedance	$V_C = 0V$	$1.2 \parallel 2$				$M\Omega \parallel pF$	typ	C
<b>COMPARATOR PERFORMANCE</b>								
<b>AC Performance</b>								
Output Current Bandwidth	$I_O < 4mA_{PP}$	730	520	480	400	MHz	min	B
Output Current Rise and Fall Time	$I_{IO} = \pm 2mA_{PP}$ , $R_L = 50\Omega$ at $C_{HOLD}$	1.4	1.5	1.7	2	ns	max	B
Control Propagation Delay Time	Hold $\geq$ Track and Track $\geq$ Hold	2.5				ns	typ	C
Signal Propagation Delay Time	S/H In+ – S/H In– to $C_{HOLD}$ Current	1.9				ns	typ	C
Input Differential Voltage Noise	S/H In+ – S/H In–	6	7.5	8	9	$nV/\sqrt{Hz}$	max	B
Charge Injection	Track-to-Hold	40				fC	typ	C
Feedthrough Rejection	Hold Mode, $V_{IN} = 1V_{PP}$ , $f < 20MHz$	100				dB	typ	C

- (1) Test levels: (A) 100% tested at +25°C. Over temperature limits set by characterization and simulation. (B) Limits set by characterization and simulation. (C) Typical value only for information.
- (2) Junction temperature = ambient for +25°C tested specifications.
- (3) Junction temperature = ambient at low temperature limit; junction temperature = ambient +23°C at high temperature limit for over temperature specifications.

**ELECTRICAL CHARACTERISTICS:  $V_S = \pm 5V$  (continued)**
 $R_L = 100\Omega$ ,  $R_Q = 300\Omega$ , and  $R_{IN} = 50\Omega$ , unless otherwise noted.

PARAMETER	CONDITIONS	OPA615ID, OPA615IDGS				UNITS	MIN/ MAX	TEST LEVEL <sup>(1)</sup>
		TYP	MIN/MAX OVER TEMPERATURE					
		+25°C	+25°C <sup>(2)</sup>	0°C to 70°C <sup>(3)</sup>	–40°C to +85°C <sup>(3)</sup>			
<b>DC Performance</b>								
Input Bias Current	S/H In+ = S/H In– = 0V	±1	±3	±3.5	±4.0	µA	max	A
Output Offset Current	S/H In+ = S/H In– = 0V, Track Mode	±10	±50	±70	±80	µA	max	A
Input Impedance	S/H In+ and S/H In–	200    1.2				kΩ    pF	typ	C
Input Differential Voltage Range	S/H In+ – S/H In–	±3.0				V	typ	C
Input Common-Mode Voltage Range	S/H In+ and S/H In–	±3.2				V	typ	C
Common-Mode Rejection Ratio (CMRR)		±2	±50	±55	±60	µA/V	max	A
Output Voltage Compliance	C <sub>HOLD</sub> Pin	±3.5				V	typ	C
Output Current	C <sub>HOLD</sub> Pin	±5	±3	±2.5	±2.0	mA	min	A
Output Impedance	C <sub>HOLD</sub> Pin	0.5    1.2				MΩ    pF	typ	C
Transconductance	S/H In+ – S/H In– to C <sub>HOLD</sub> Current V <sub>IN</sub> = 300mV <sub>PP</sub>	35	21	20	19	mA/V	min	A
Minimum Hold Logic High Voltage	Tracking High		2	2	2	V	max	A
Maximum Hold Logic Low Voltage	Holding Low		0.8	0.8	0.8	V	min	A
Logic High Input Current	V <sub>HOLD</sub> = +5V	±0.5	±1	±1	±1.2	µA	max	A
Logic Low Input Current	V <sub>HOLD</sub> = 0V	140	200	220	230	µA	max	A
Comparator Power-Supply Rejection Ratio (PSRR)	S/H In+ = S/H In– = 0V, Track Mode	±2	±50	±55	±60	µA/V	max	A
<b>POWER SUPPLY</b>								
Specified Operating Voltage		±5				V	typ	C
Minimum Operating Voltage			±4	±4	±4	V	min	B
Maximum Operating Voltage			±6.2	±6.2	±6.2	V	max	A
Maximum Quiescent Current	R <sub>Q</sub> = 300Ω <sup>(4)</sup>	13	14	16	17	mA	max	A
Minimum Quiescent Current	R <sub>Q</sub> = 300Ω <sup>(4)</sup>	13	12	11	9	mA	min	A
<b>THERMAL CHARACTERISTICS</b>								
Specified Operating Range D Package		–40 to +85				°C	typ	C
Thermal Resistance $\theta_{JA}$	Junction-to-Ambient							
DGS MSOP-10		150				°C/W	typ	C
D SO-14		100				°C/W	typ	C

(4) SO-14 package only.

### TYPICAL CHARACTERISTICS

$T_A = +25^\circ\text{C}$ ,  $I_Q = 13\text{mA}$ , unless otherwise noted.

#### OTA

OTA TRANSCONDUCTANCE vs FREQUENCY

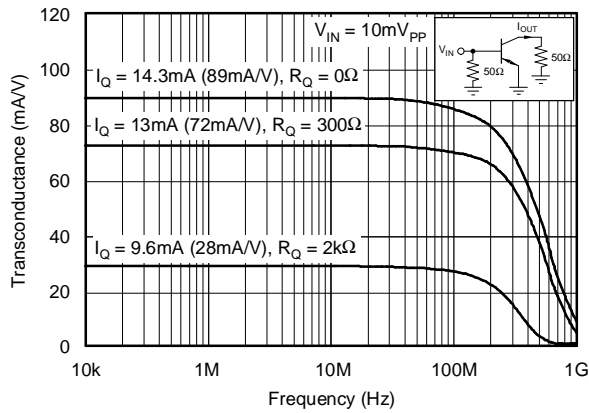


Figure 1.

OTA TRANSCONDUCTANCE vs QUIESCENT CURRENT

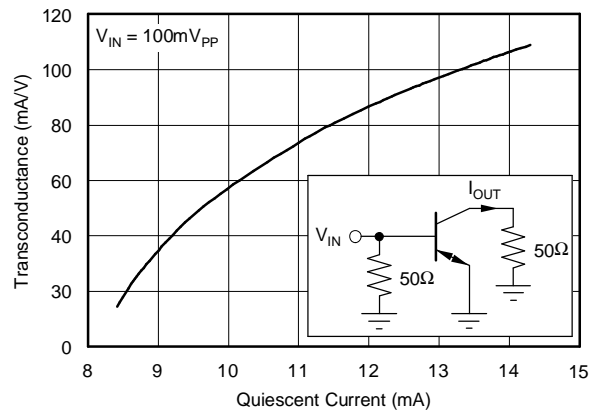


Figure 2.

OTA TRANSCONDUCTANCE vs INPUT VOLTAGE

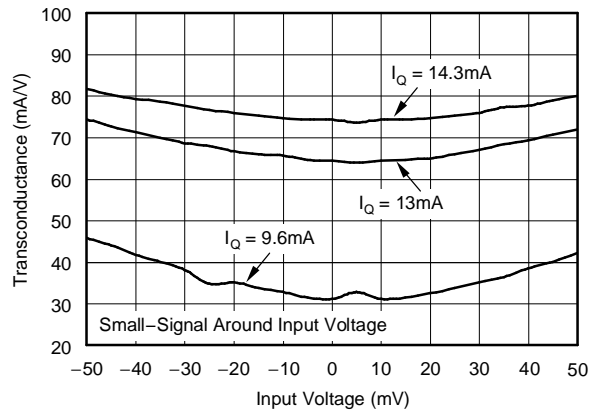


Figure 3.

OTA TRANSFER CHARACTERISTICS

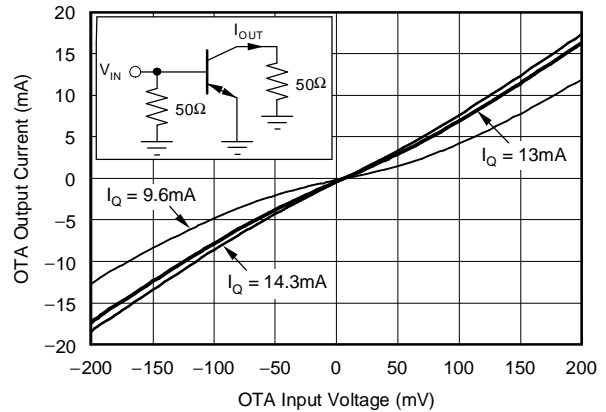


Figure 4.

OTA-C SMALL SIGNAL PULSE RESPONSE

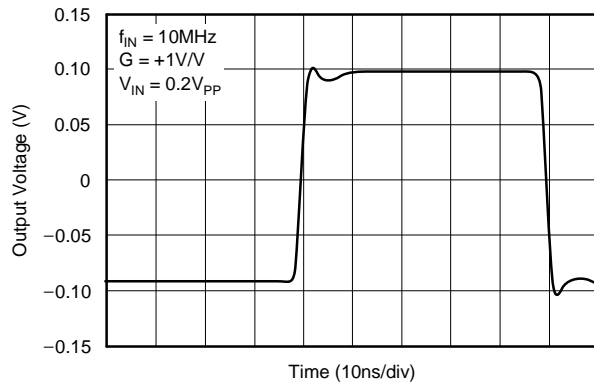


Figure 5.

OTA-C LARGE SIGNAL PULSE RESPONSE

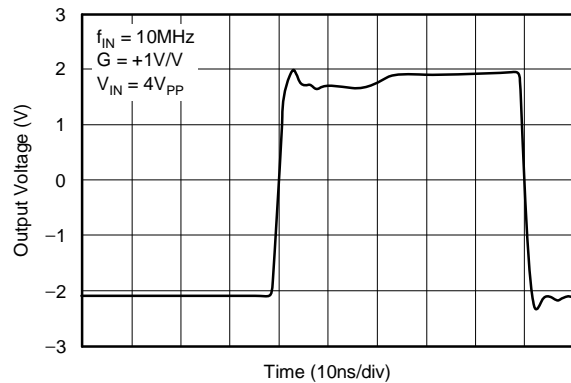
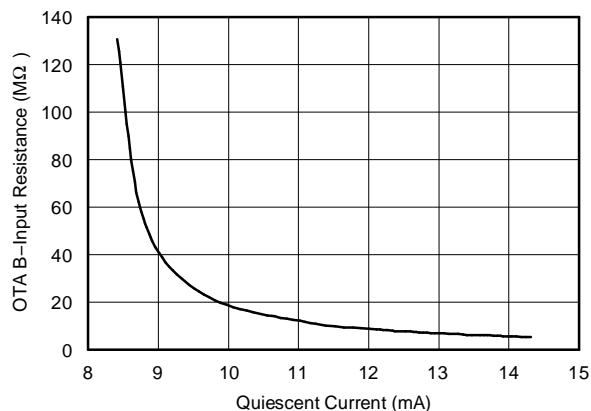


Figure 6.

**TYPICAL CHARACTERISTICS (continued)**

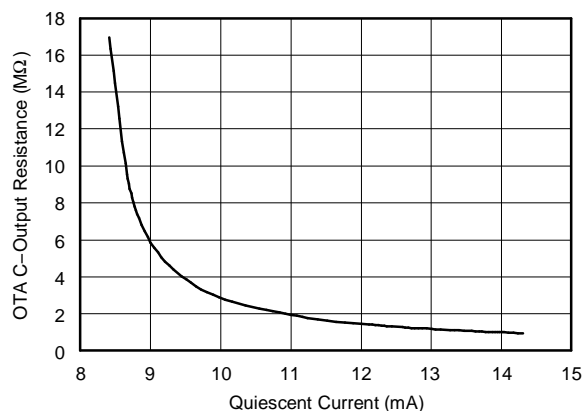
$T_A = +25^\circ\text{C}$ ,  $I_Q = 13\text{mA}$ , unless otherwise noted.

**OTA B-INPUT RESISTANCE vs QUIESCENT CURRENT**



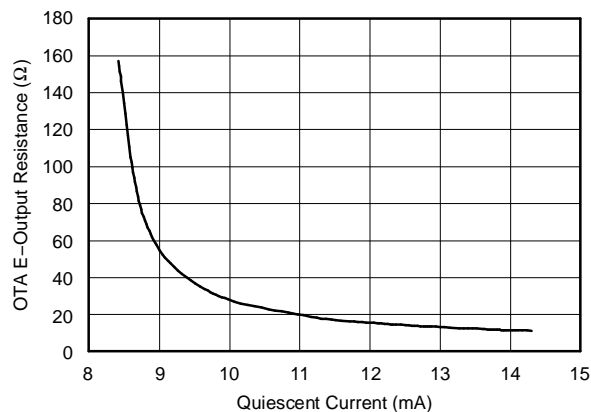
**Figure 7.**

**OTA C-OUTPUT RESISTANCE vs QUIESCENT CURRENT**



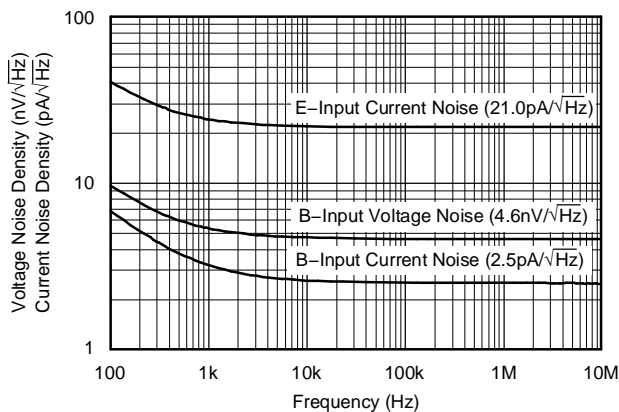
**Figure 8.**

**OTA E-OUTPUT RESISTANCE vs QUIESCENT CURRENT**



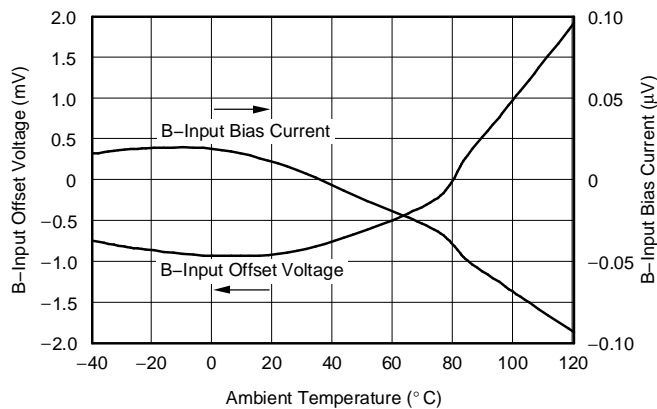
**Figure 9.**

**OTA INPUT VOLTAGE AND CURRENT NOISE DENSITY**



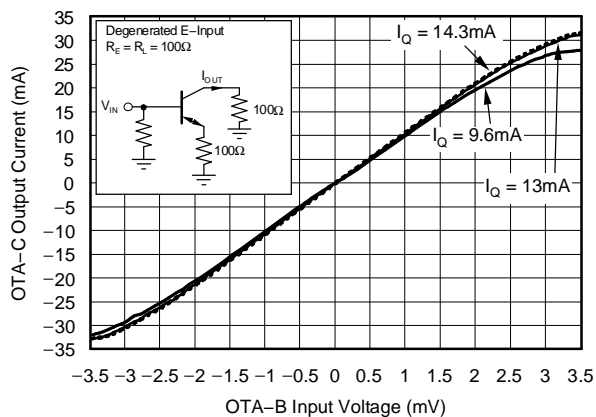
**Figure 10.**

**OTA B-INPUT OFFSET VOLTAGE AND BIAS CURRENT vs TEMPERATURE**



**Figure 11.**

**OTA TRANSFER CHARACTERISTICS vs INPUT VOLTAGE**



**Figure 12.**

**TYPICAL CHARACTERISTICS (continued)**

$T_A = +25^\circ\text{C}$ ,  $I_Q = 13\text{mA}$ , unless otherwise noted.

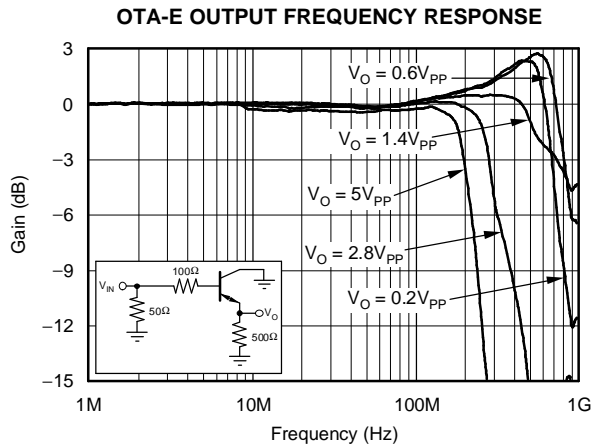


Figure 13.

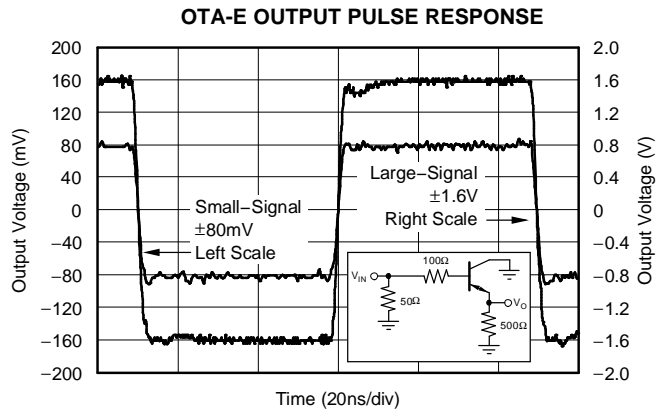


Figure 14.

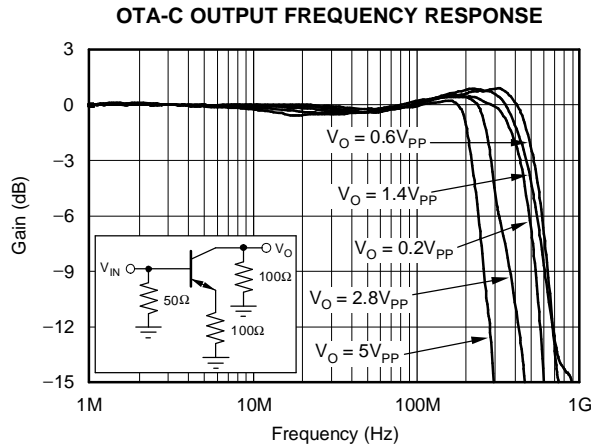


Figure 15.

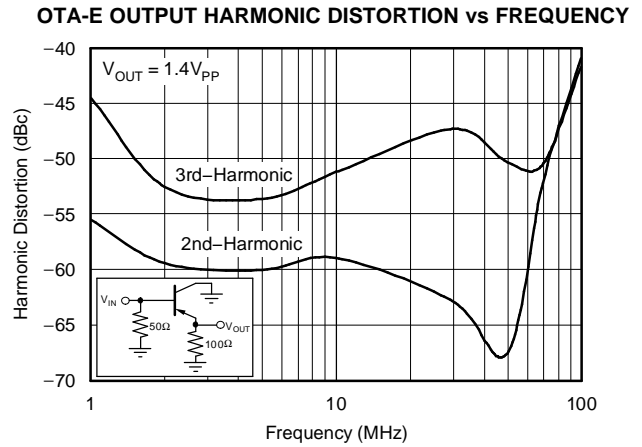


Figure 16.

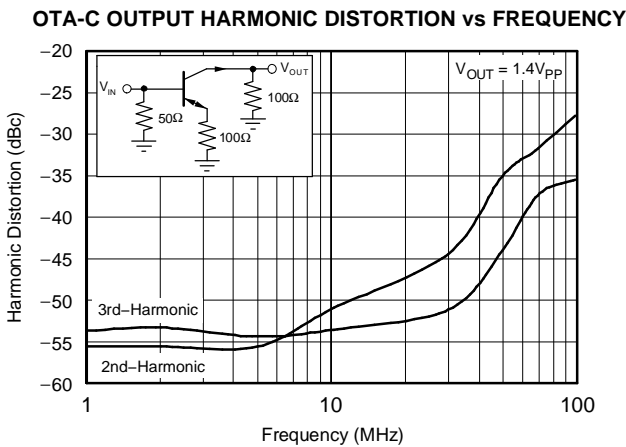


Figure 17.

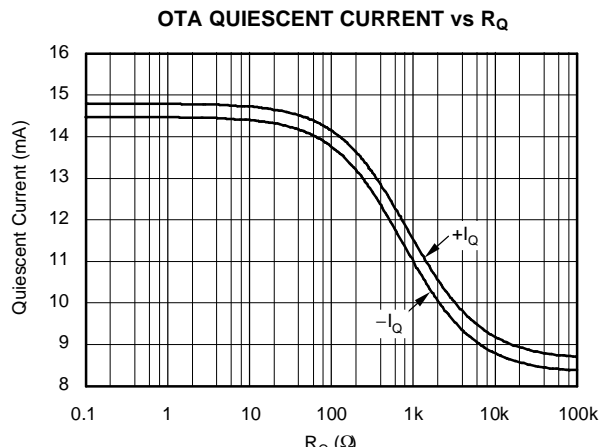


Figure 18.



**TYPICAL CHARACTERISTICS (continued)**

$T_A = +25^\circ\text{C}$ ,  $I_Q = 13\text{mA}$ , unless otherwise noted.

**SOTA (Sampling Operational Transconductance Amplifier)**

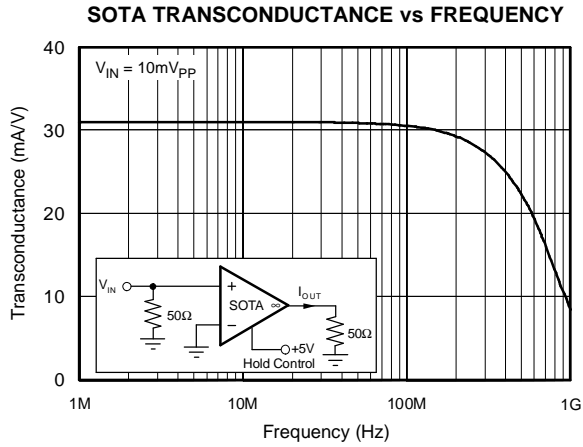


Figure 19.

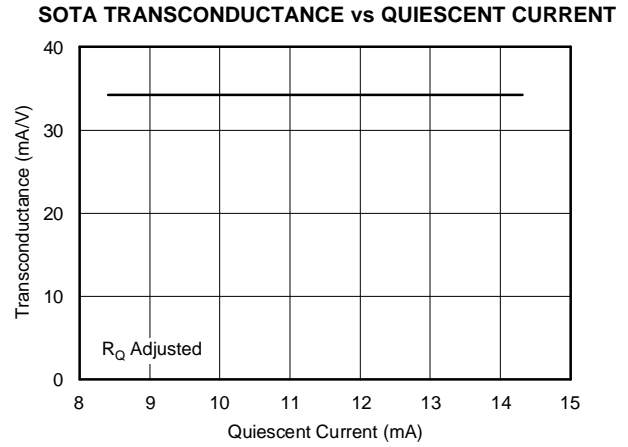


Figure 20.

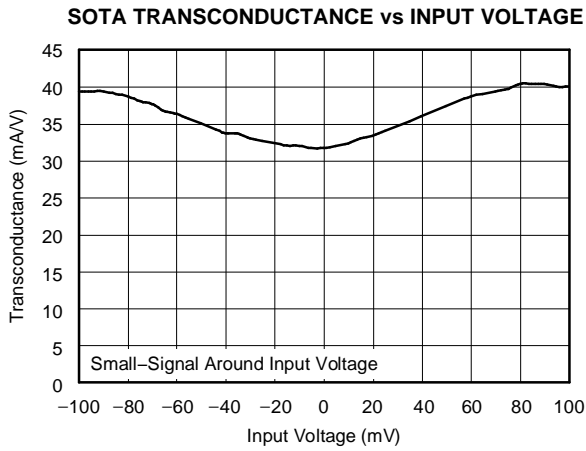


Figure 21.

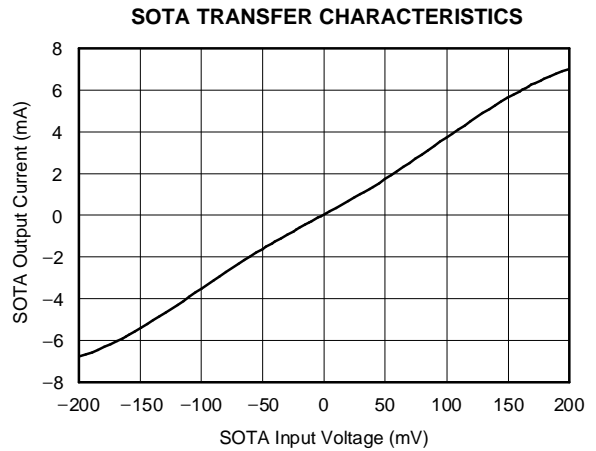


Figure 22.

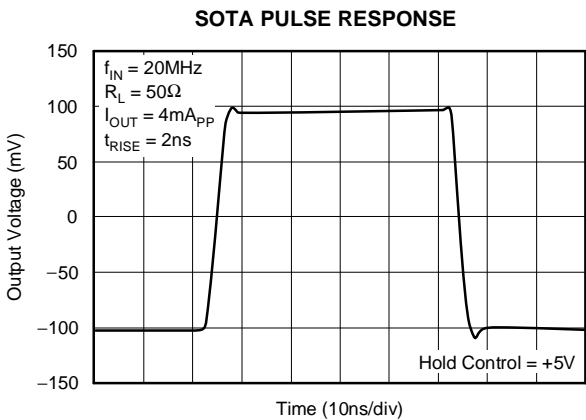


Figure 23.

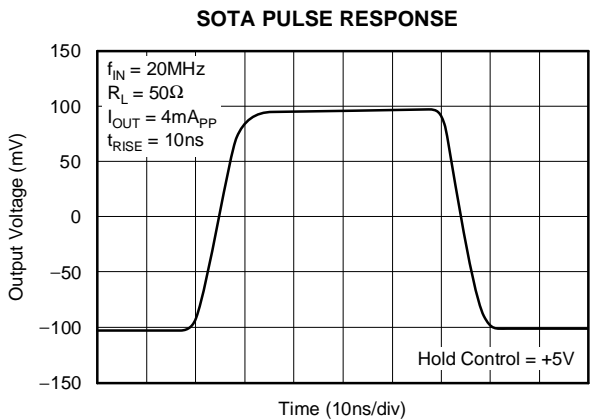


Figure 24.

**TYPICAL CHARACTERISTICS (continued)**

$T_A = +25^\circ\text{C}$ ,  $I_Q = 13\text{mA}$ , unless otherwise noted.

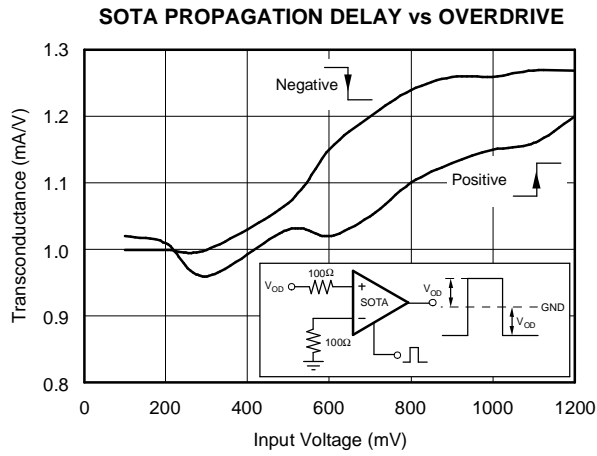


Figure 25.

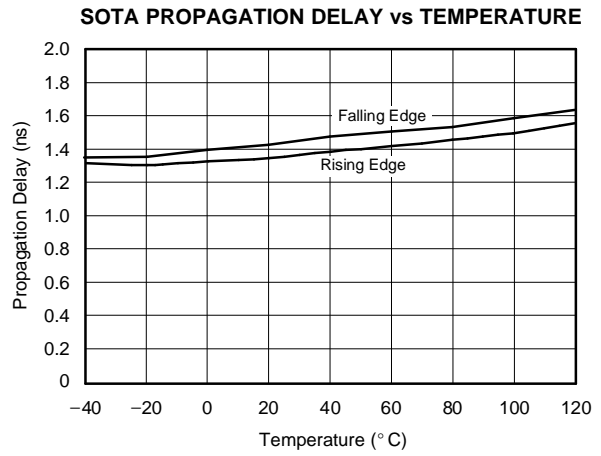


Figure 26.

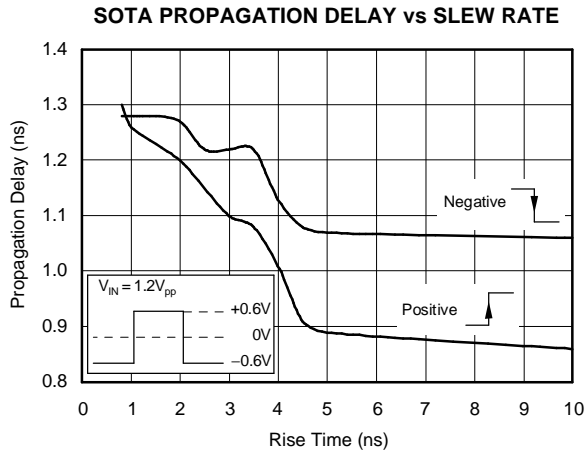


Figure 27.

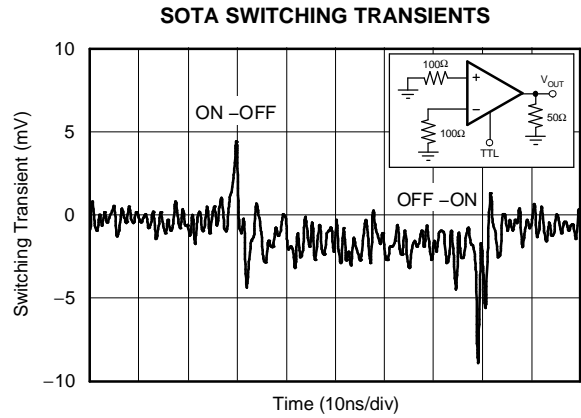


Figure 28.

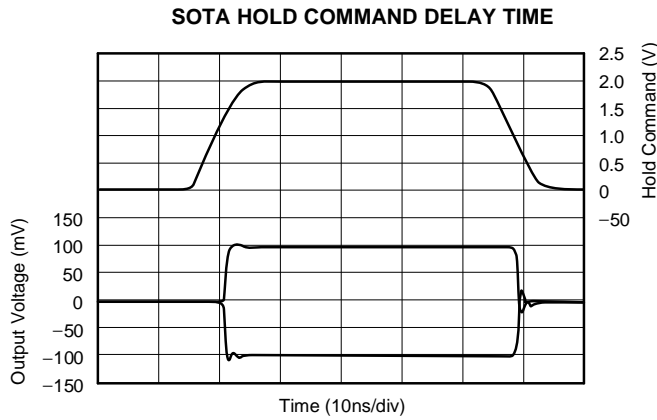


Figure 29.

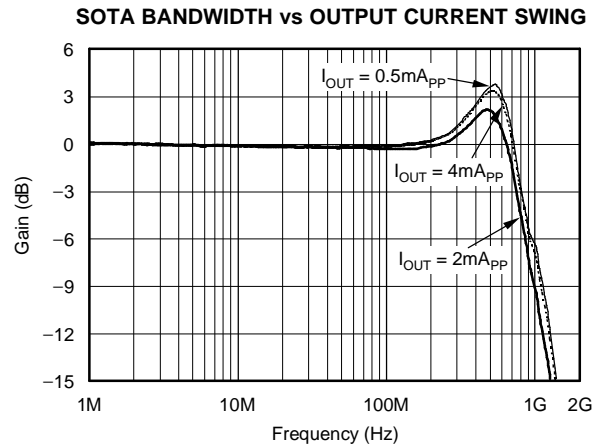
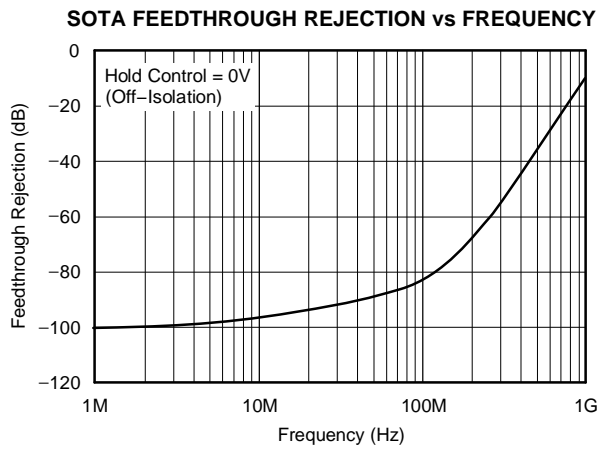


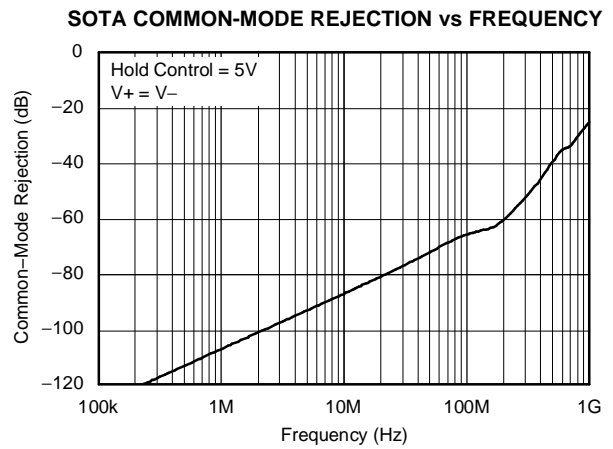
Figure 30.

**TYPICAL CHARACTERISTICS (continued)**

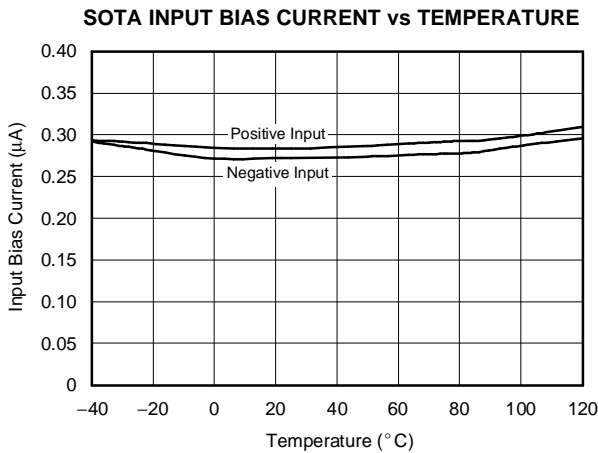
$T_A = +25^\circ\text{C}$ ,  $I_Q = 13\text{mA}$ , unless otherwise noted.



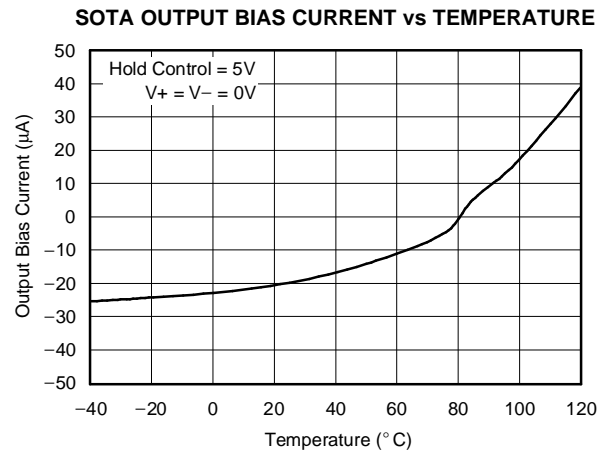
**Figure 31.**



**Figure 32.**



**Figure 33.**



**Figure 34.**

## DISCUSSION OF PERFORMANCE

The OPA615, which contains a wideband Operational Transconductance Amplifier (OTA) and a fast sampling comparator (SOTA), represents a complete subsystem for very fast and precise DC restoration, offset clamping and correction to GND or to an adjustable reference voltage, and low frequency hum suppression of wideband operational or buffer amplifiers.

Although the IC was designed to improve or stabilize the performance of complex, wideband video signals, it can also be used as a sample-and-hold amplifier, high-speed integrator, peak detector for nanosecond pulses, or as part of a correlated double sampling system. A wideband Operational Transconductance Amplifier (OTA) with a high-impedance cascode current source output and a fast and precise sampling comparator sets a new standard for high-speed sampling applications.

Both the OTA and the sampling comparator can be used as stand-alone circuits or combined to create more complex signal processing stages such as sample-and-hold amplifiers. The OPA615 simplifies the design of input amplifiers with high hum suppression; clamping or DC-restoration stages in professional broadcast equipment, high-resolution CAD monitors and information terminals; and signal processing stages for the energy and peak value of nanosecond pulses. This device also eases the design of high-speed data acquisition systems behind a CCD sensor or in front of an analog-to-digital converter.

An external resistor on the SO-14 package,  $R_Q$ , allows the user to set the quiescent current.  $R_Q$  is connected from Pin 1 ( $I_Q$  adjust) to  $-V_{CC}$ . It determines the operating currents of the OTA section and controls the bandwidth and AC behavior as well as the transconductance of the OTA.

Besides the quiescent current setting feature, a Proportional-to-Absolute-Temperature (PTAT) supply current control will increase the quiescent current versus temperature. This variation holds the transconductance ( $g_m$ ) of the OTA and comparator relatively constant versus temperature. The circuit parameters listed in the specification table are measured with  $R_Q$  set to  $300\Omega$ , giving a nominal quiescent current at 13mA. While not always shown in the application circuits, this  $R_Q = 300\Omega$  is required to get the 13mA quiescent operating current.

## OPERATIONAL TRANSCONDUCTANCE AMPLIFIER (OTA) SECTION AND OVERVIEW

### SECTION and OVERVIEW

The symbol for the OTA section is similar to that of a bipolar transistor, and the self-biased OTA can be viewed as either a quasi-ideal transistor or as a voltage-controlled current source. Application circuits for the OTA look and operate much like transistor circuits—the bipolar transistor is also a voltage-controlled current source. Like a transistor, it has three terminals: a high-impedance input (base) optimized for a low input bias current of  $0.3\mu\text{A}$ , a low-impedance input/output (emitter), and the high-impedance current output (collector).

The OTA consists of a complementary buffer amplifier and a subsequent complementary current mirror. The buffer amplifier features a Darlington output stage and the current mirror has a cascoded output. The addition of this cascode circuitry increases the current source output resistance to  $1.2\text{M}\Omega$ . This feature improves the OTA linearity and drive capabilities. Any bipolar input voltage at the high impedance base has the same polarity and signal level at the low impedance buffer or emitter output. For the open-loop diagrams, the emitter is connected to GND; the collector current is then determined by the voltage between base and emitter times the transconductance. In application circuits (Figure 36b), a resistor  $R_E$  between the emitter and GND is used to set the OTA transfer characteristics.

The following formulas describe the most important relationships.  $r_e$  is the output impedance of the buffer amplifier (emitter) or the reciprocal of the OTA transconductance. Above  $\pm 5\text{mA}$ , the collector current,  $I_C$ , will be slightly less than indicated by the formula.

$$I_C = \frac{V_{IN}}{r_E + R_E} \quad \text{or} \quad R_E = \frac{V_{IN}}{I_C} - r_E$$

The  $R_E$  resistor may be bypassed by a relatively large capacitor to maintain high AC gain. The parallel combination of  $R_E$  and this large capacitor form a high-pass filter, enhancing the high frequency gain. Other cases may require an RC compensation network in parallel to  $R_E$  to optimize the high-frequency response. The large signal bandwidth ( $V_O = 1.4V_{PP}$ ) measured at the emitter achieves 770MHz. The frequency response of the collector is directly related to the resistor value between the collector and GND; it decreases with increasing resistor values, because of the low-pass filter formed with the OTA C-output capacitance.

Figure 35 shows a simplified block diagram of the OPA615 OTA. Both the emitter and the collector outputs offer a drive capability of  $\pm 20\text{mA}$  for driving low impedance loads. The emitter output is not current-limited or protected. Momentary shorts to GND should be avoided, but are unlikely to cause permanent damage.

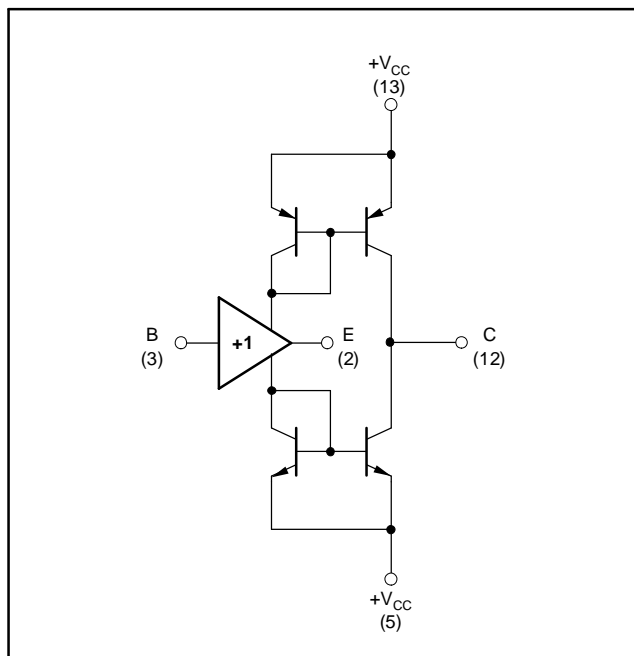


Figure 35. Simplified OTA Block Diagram

While the OTA function and labeling appear similar to those of a transistor, it offers essential distinctive differences and improvements: 1) The collector current flows out of the C terminal for a positive B-to-E input voltage and into it for negative voltages; 2) A common emitter amplifier operates in non-inverting mode while the common base operates in inverting mode; 3) The OTA is far more linear than a bipolar transistor; 4) The transconductance can be adjusted with an external resistor; 5) As a result of the PTAT biasing characteristic, the quiescent current increases as shown in the typical performance curve vs temperature and keeps the AC performance constant; 6) The OTA is self-biased and bipolar; and 7) The output current is approximately zero for zero differential input voltages. AC inputs centered on zero produce an output current centered on zero.

### BASIC APPLICATION CIRCUITS

Most application circuits for the OTA section consist of a few basic types which are best understood by analogy to discrete transistor circuits. Just as the transistor has three basic operating modes—common emitter, common base, and common collector—the OTA has three equivalent operating modes; common-E, common-B, and common-C (see Figure 36, Figure 37 and Figure 38). Figure 36 shows the OTA connected as a Common-E amplifier, which is equivalent to a common emitter transistor amplifier. Input and output can be ground-referenced without any biasing. The amplifier is noninverting because a current flowing out of the emitter will also flow out of the collector as a result of the current mirror shown in Figure 35.

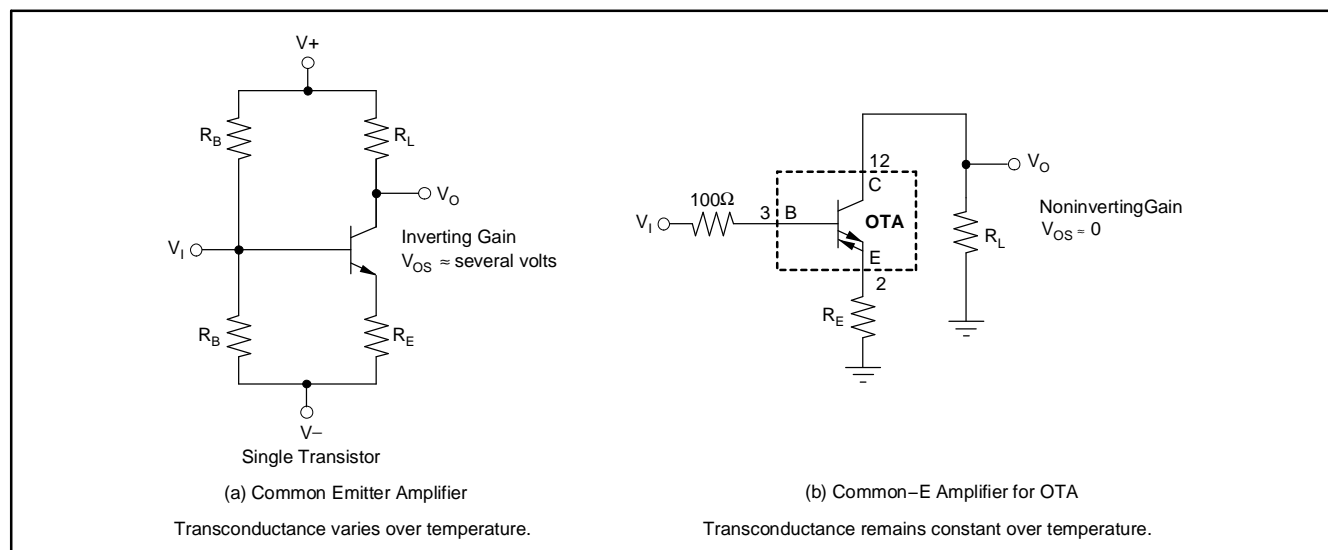


Figure 36. a) Common Emitter Amplifier Using a Discrete Transistor; b) Common-E Amplifier Using the OTA Portion of the OPA615

Figure 37 shows the Common-C amplifier. It constitutes an open-loop buffer with low offset voltage. Its gain is approximately 1 and will vary with the load.

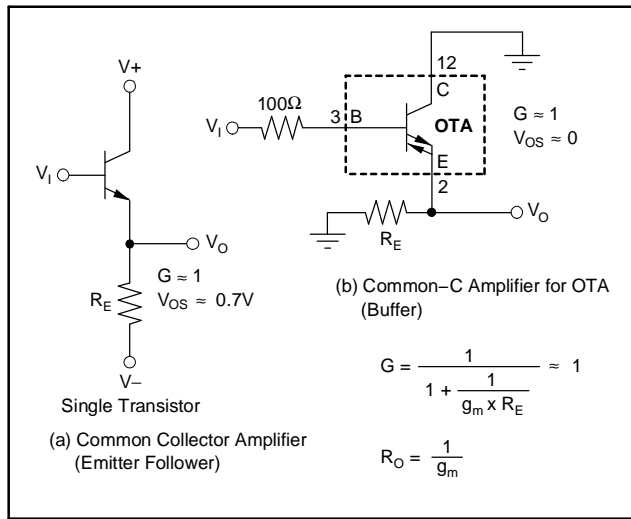


Figure 37. a) Common Collector Amplifier Using a Discrete Transistor; b) Common-C Amplifier Using the OTA Portion of the OPA615

Figure 38 shows the Common-B amplifier. This configuration produces an inverting gain, and the input is low-impedance. When a high impedance input is needed, it can be created by inserting a buffer amplifier (such as the BUF602) in series.

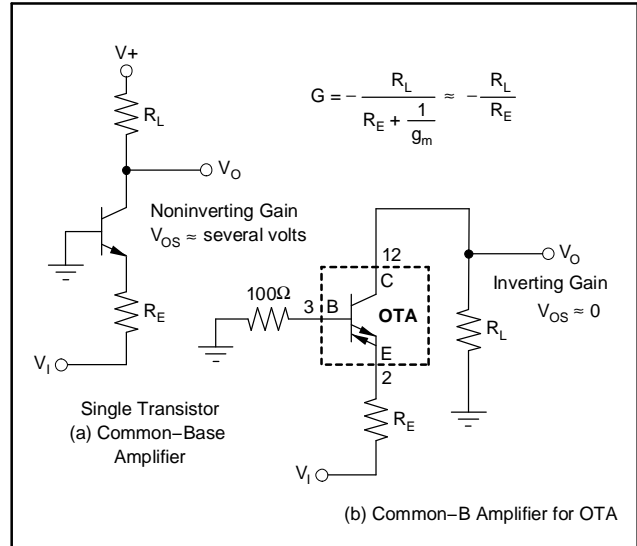


Figure 38. a) Common Base Amplifier Using a Discrete Transistor; b) Common-B Amplifier Using the OTA Portion of the OPA615

## SAMPLING COMPARATOR

The OPA615 sampling comparator features a very short switching (2.5ns) propagation delay and utilizes a new switching circuit architecture to achieve excellent speed and precision.

It provides high impedance inverting and noninverting analog inputs, a high-impedance current source output and a TTL-CMOS-compatible Hold Control Input.

The sampling comparator consists of an operational transconductance amplifier (OTA), a buffer amplifier, and a subsequent switching circuit. This combination is subsequently referred to as the Sampling Operational Transconductance Amplifier (SOTA). The OTA and buffer amplifier are directly tied together at the buffer outputs to provide the two identical high-impedance inputs and high open-loop transconductance. Even a small differential input voltage multiplied with the high transconductance results in an output current—positive or negative—depending upon the input polarity. This characteristic is similar to the low or high status of a conventional comparator. The current source output features high output impedance, output bias current compensation, and is optimized for charging a capacitor in DC restoration, nanosecond integrators, peak detectors and S/H circuits. The typical comparator output current is  $\pm 5\text{mA}$  and the output bias current is minimized to typically  $\pm 10\mu\text{A}$  in the sampling mode.

This innovative circuit achieves the high slew rate representative of an open-loop design. In addition, the acquisition slew current for a hold or storage capacitor is higher than standard diode bridge and switch configurations, removing a main contributor to the limits of maximum sampling rate and input frequency.

The switching circuits in the OPA615 use current steering (versus voltage switching) to provide improved isolation between the switch and analog sections. This design results in low aperture time sensitivity to the analog input signal, reduced power supply and analog switching noise. Sample-to-hold peak switching charge injection is  $40fC$ .

The additional offset voltage or switching transient induced on a capacitor at the current source output by the switching charge can be determined by the following formula:

$$\text{Offset (V)} = \frac{\text{Charge (pC)}}{C_{\text{HTotal}} \text{ (pF)}}$$

The switching stage input is insensitive to the low slew rate performance of the hold control command and compatible with TTL/CMOS logic levels. With TTL logic high, the comparator is active, comparing the two input voltages and varying the output current accordingly. With TTL logic low, the comparator output is switched off, showing a very high impedance to the hold capacitor.

### APPLICATION INFORMATION

The OPA615 operates from  $\pm 5V$  power supplies ( $\pm 6.2V$  maximum). Absolute maximum is  $\pm 6.5V$ . Do not attempt to operate with larger power supply voltages or permanent damage may occur.

Power-supply bypass capacitors should be located as close as possible to the device pins. Solid tantalum capacitors are generally best. See [Board Layout](#) at the end of the applications discussion for further suggestions on layout.

### BASIC CONNECTIONS

Figure 39 shows the basic connections required for operation. These connections are not shown in subsequent circuit diagrams.

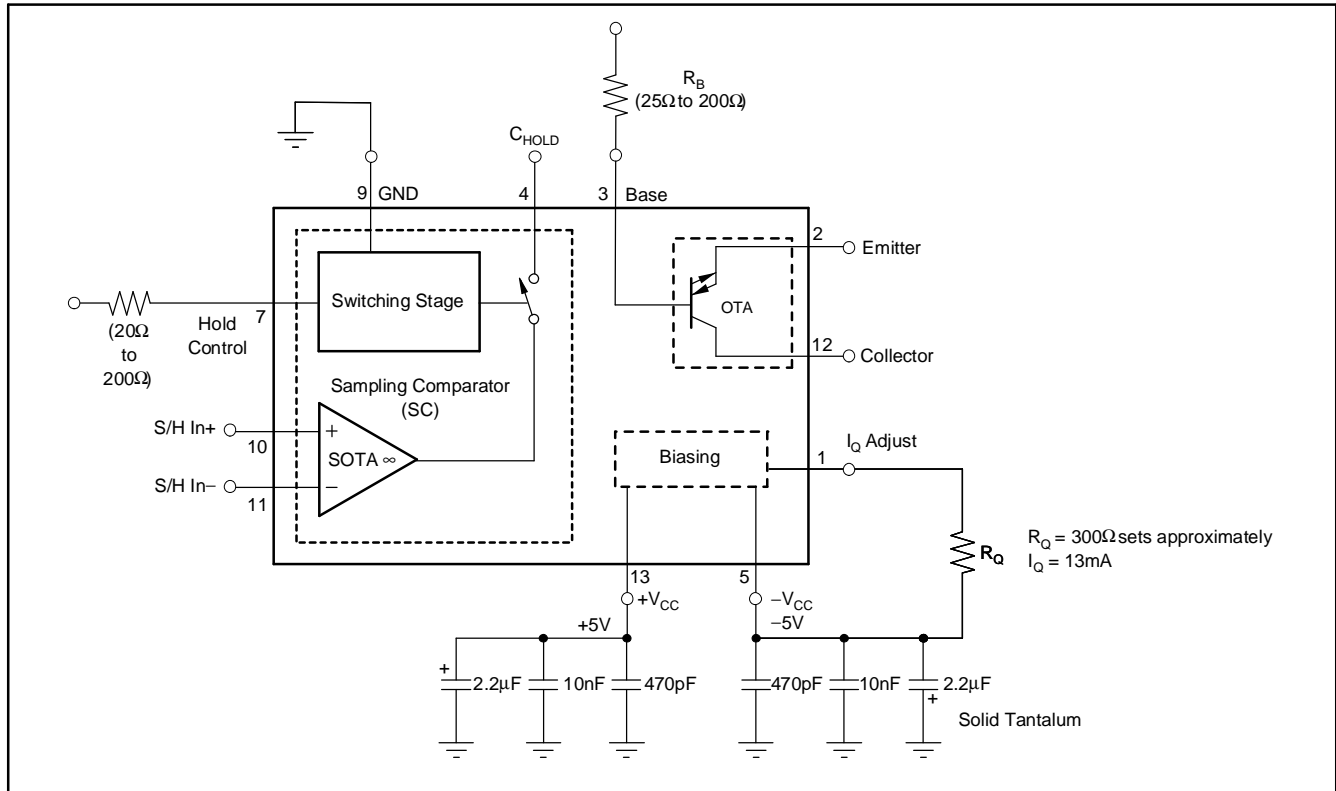


Figure 39. Basic Connections



### DC-RESTORE SYSTEM

Figure 40 and Figure 41 offer two possible DC-restore systems using the OPA615. Figure 41 implements a DC-restore function as a unity-gain amplifier. As can be expected from its name, this DC-restore circuit does not provide any amplification.

In applications where some amplification is needed, consider using the circuit design shown in Figure 40.

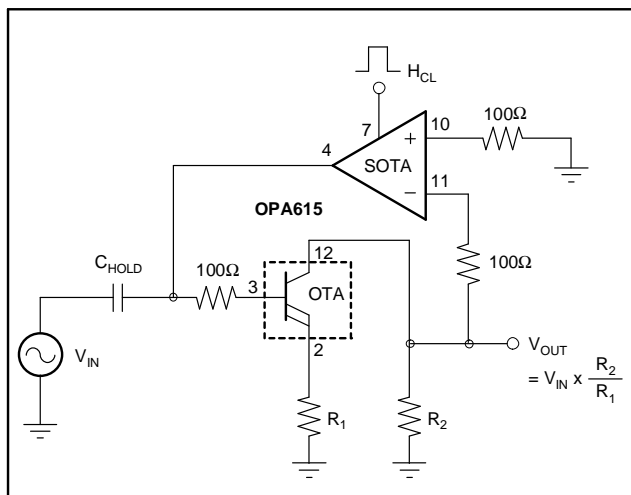


Figure 40. Complete DC Restoration System

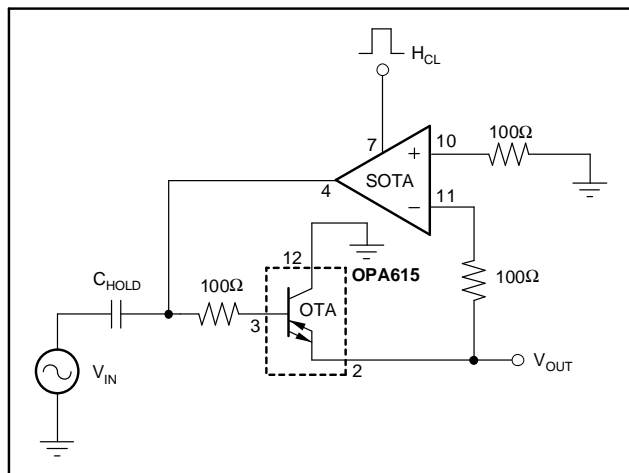


Figure 41. DC Restoration of a Buffer Amplifier

For either of these circuits to operate properly, the source impedance needs to be low, such as the one provided by the output of a closed-loop amplifier or buffer. Consider the video input signal shown in Figure 42, and the complete DC restoration system shown in Figure 40. This signal is amplified by the OTA section of the OPA615 by a gain of:

$$G = + \frac{R_2}{R_1}$$

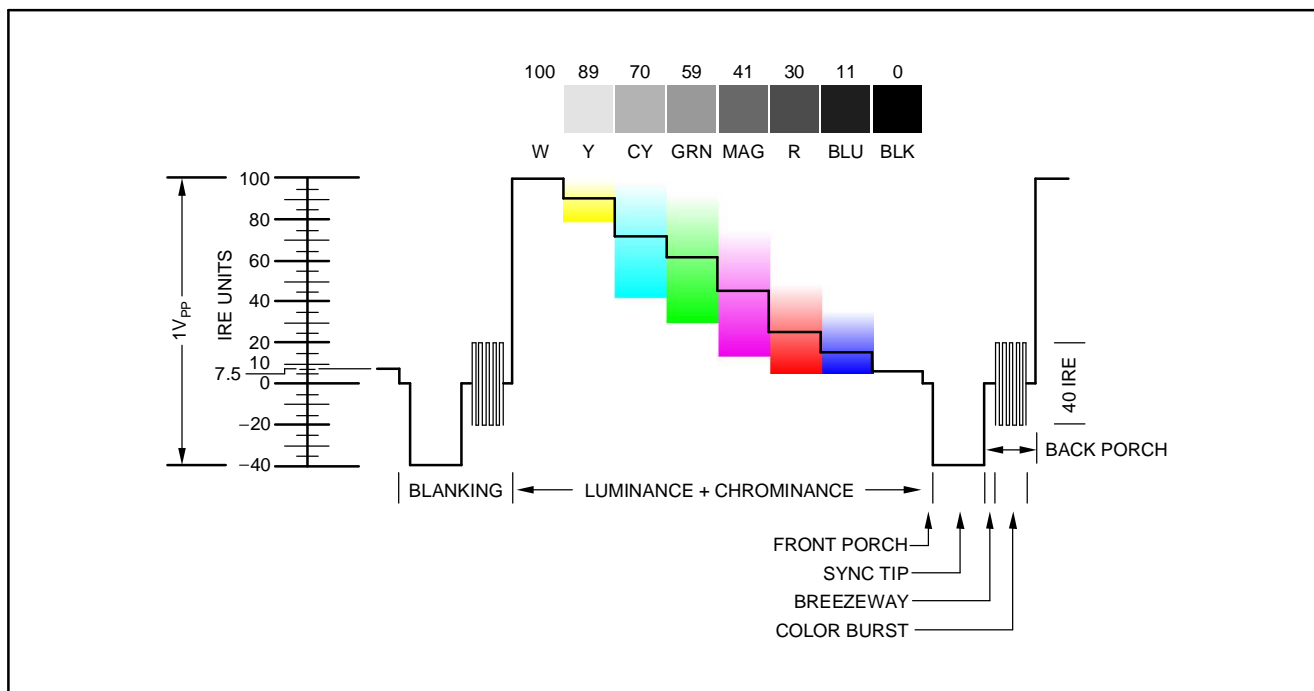


Figure 42. NTSC Horizontal Scan Line

The DC restoration is done by the SOTA section by sampling the output signal at an appropriate time. The sampled section of the signal is then compared to a reference voltage that appears on the non-inverting input of the SOTA (pin 10), or ground in [Figure 40](#).

When the SOTA is sampling, it is charging or discharging the  $C_{HOLD}$  capacitor depending on the level of the output signal sampled. The detail of an appropriate timing is illustrated in [Figure 43](#).

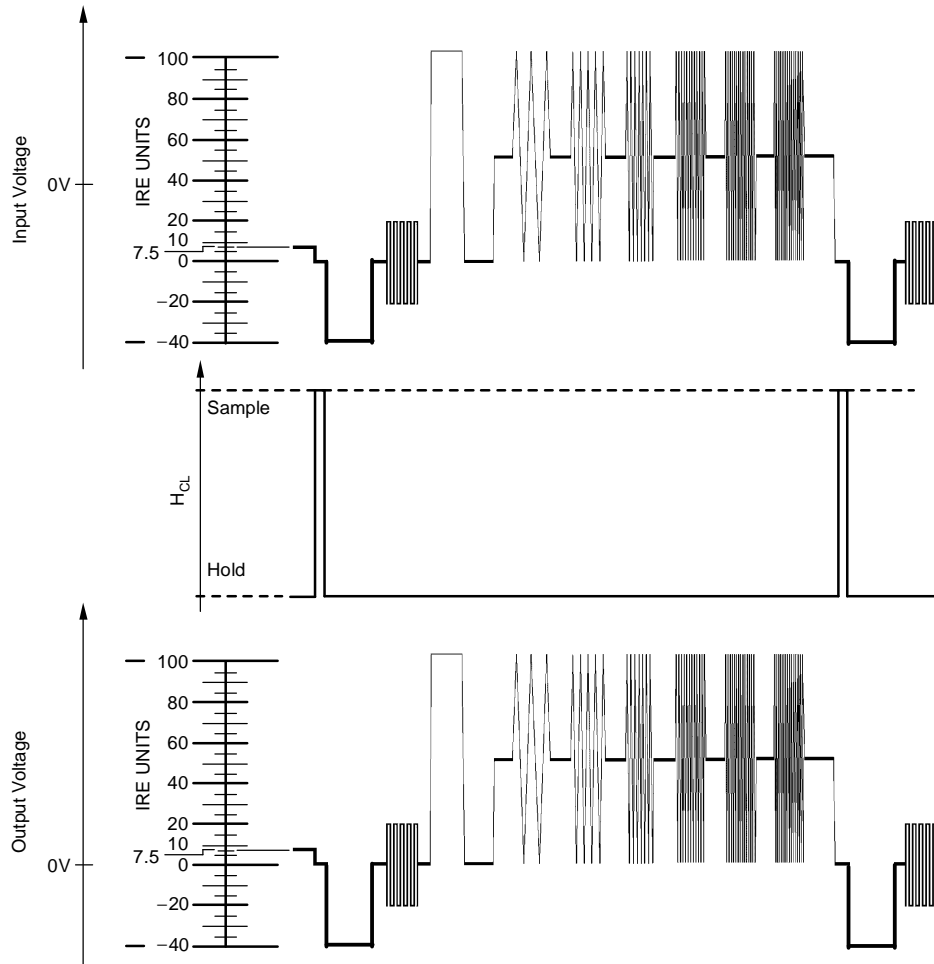


Figure 43. DC-Restore Timing

### CLAMPED VIDEO/RF AMPLIFIER

Another circuit example for the preamplifier and the clamp circuit is shown in Figure 44. The preamplifier uses the wideband, low noise OPA656, again configured in a gain of +2V/V. Here, the OPA656 has a typical bandwidth of 200MHz with a settling time of about 21ns (0.02%) and offers a low bias current JFET input stage.

The video signal passes through the capacitor  $C_B$ , blocking the DC component. To restore the DC level to the desired baseline, the OPA615 is used. The inverting input (pin 11) is connected to a reference voltage. During the high time of the clamp pulse, the switching comparator (SOTA) will compare the output of the op amp to the reference level. Any voltage difference between those pins will result in an output current that either charges or discharges the hold capacitor,  $C_{HOLD}$ . This charge creates a voltage across the capacitor, which is buffered by the OTA. Multiplied by the transconductance, the voltage will cause a current flow in the collector, C, terminal of the OTA. This current will level-shift the OPA656 up to the point where its output voltage is equal to the reference voltage. This level-shift also closes the control loop. Because of the buffer, the voltage across the  $C_{HOLD}$  stays constant and maintains the baseline correction during the off-time of the clamp pulse.

The external capacitor ( $C_{HOLD}$ ) allows for a wide range of flexibility. By choosing small values, the circuit can be optimized for a short clamping period or with high values for a low droop rate. Another advantage of this circuit is that small clamp peaks at the output of the switching comparator are integrated and do not cause glitches in the signal path.

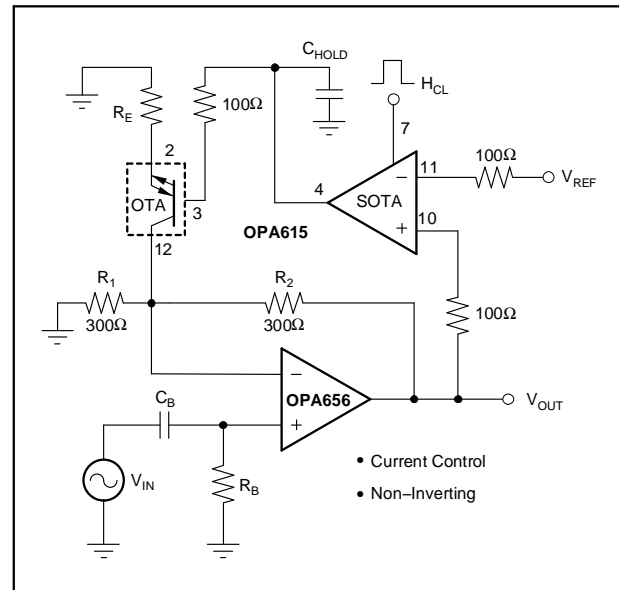


Figure 44. Clamped Video/RF Amplifier

### SAMPLE-AND-HOLD AMPLIFIER

With a control propagation delay of 2.5ns and 730MHz bandwidth, the OPA615 can be used advantageously in a high-speed sample-and-hold amplifier. Figure 45 illustrates this configuration.

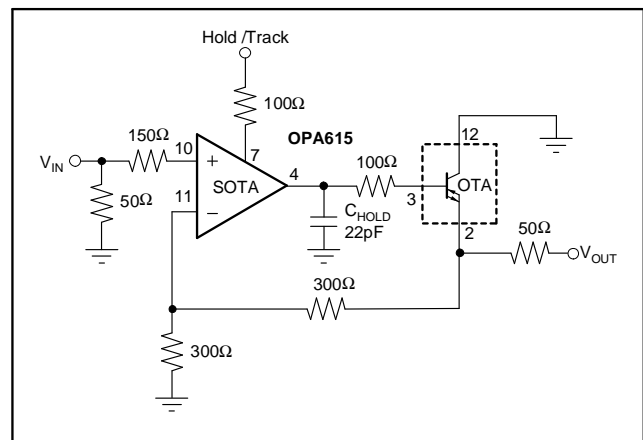


Figure 45. Sample-and-Hold Amplifier

To illustrate how the digitization is realized in the Figure 45 circuit, Figure 46 shows a 100kHz sine wave being sampled at a rate of 1MHz. The output signal used here is the  $I_{OUT}$  output driving a 50Ω load.

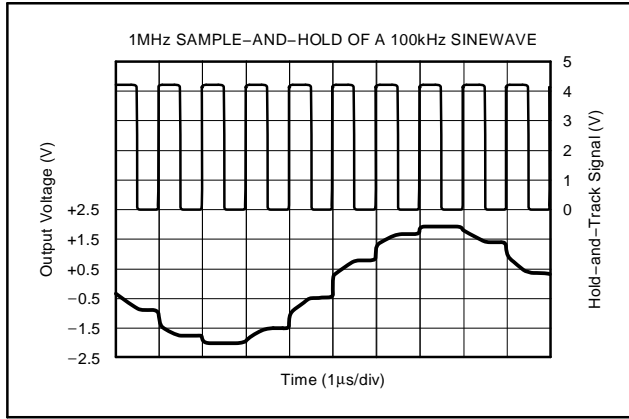


Figure 46. 1MHz Sample-and-Hold of a 100kHz Sine Wave

### Integrator for ns-Pulses

The integrator for ns-pulses using the OPA615 (shown in Figure 47) makes use of the fast comparator and its current-mode output. Placing the hold-control high, a narrow pulse charges the capacitor, increasing the average output voltage. To minimize ripples at the inverting input and maximize the capacitor charge, a T-network is used in the feedback path.

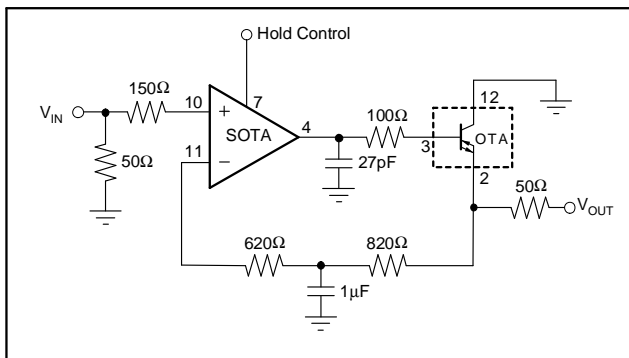


Figure 47. Integrator for ns-Pulses

### Fast Pulse Peak Detector

A circuit similar to that shown in Figure 47 (the integrator for ns-pulses) can be devised to detect and isolate positive pulses from negative pulses. This circuit, shown in Figure 48, uses the OPA615 as well as the BUF602. This circuit makes use of diodes to isolate the positive-going pulses from the negative-going pulses and charge-different capacitors.

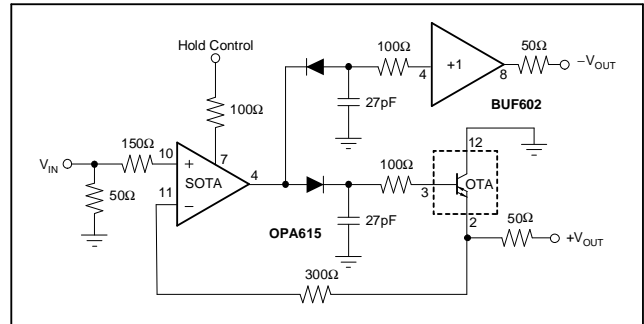


Figure 48. Fast Bipolar Peak Detector

### Phase Detector for Fast PLL Systems

Figure 49 shows the circuit for a phase detector for fast PLL systems. Given a reference pulse train  $f_{REF}$  and a pulse train input signal  $f_{IN}$  out of phase, the SOTA of the OPA615 acts in this circuit as a comparator, either charging or discharging the capacitor. This voltage is then buffered by the OTA and fed to the VCO.

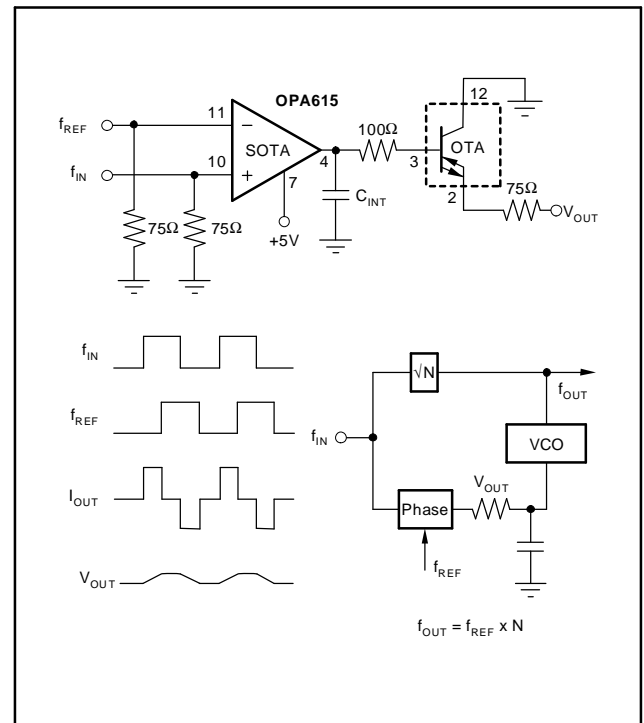


Figure 49. Phase Detector For Fast PLL-Systems

## CORRELATED DOUBLE SAMPLER

Noise is the limiting factor for the resolution in a CCD system, where the  $kT/C$  noise is dominant (see Figure 51). To reduce this noise, imaging systems use a circuit called a *Correlated Double Sampler* (CDS). The name comes from the double sampling technique of the CCD charge signal. A CDS using two OPA615s and one OPA694 is shown in Figure 50. The first sample ( $S_1$ ) is taken at the end of the reset period. When the reset switch opens again, the effective noise bandwidth changes because of the large difference in the switch  $R_{ON}$  and  $R_{OFF}$  resistance. This difference causes the dominating  $kT/C$  noise essentially to freeze in its last point.

The other sample ( $S_2$ ) is taken during the video portion of the signal. Ideally, the two samples differ only by a voltage corresponding to the transferred charge signal. This is the video level minus the noise ( $\Delta V$ ).

The CDS function will eliminate the  $kT/C$  noise as well as much of the  $1/f$  and white noise.

Figure 52 is a block diagram of a CDS circuit. Two sample-and-hold amplifiers and one difference amplifier constitute the correlated double sampler.

The signal coming from the CCD is applied to the two sample-and-hold amplifiers, with their outputs connected to the difference amplifier. The timing diagram clarifies the operation (see Figure 52). At time  $t_1$ , the sample and hold ( $S/H_1$ ) goes into the hold mode, taking a sample of the reset level including the noise. This voltage ( $V_{RESET}$ ) is applied to the noninverting input of the difference amplifier. At time  $t_2$ , the sample-and-hold ( $S/H_2$ ) will take a sample of the video level, which is  $V_{RESET} - V_{VIDEO}$ . The output voltage of the difference amplifier is defined by the equation  $V_{OUT} = V_{IN+} - V_{IN-}$ . The sample of the reset voltage contains the  $kT/C$  noise, which is eliminated by the subtraction of the difference amplifier.

The double sampling technique also reduces the white noise. The white noise is part of the reset voltage ( $V_{RESET}$ ) as well as of the video amplitude ( $V_{RESET} - V_{VIDEO}$ ). With the assumption that the noise of the noise of the second sample was unchanged from the instant of the first sample, the noise amplitudes are the same and are correlated in time. Therefore, the noise can be reduced by the CDS function.

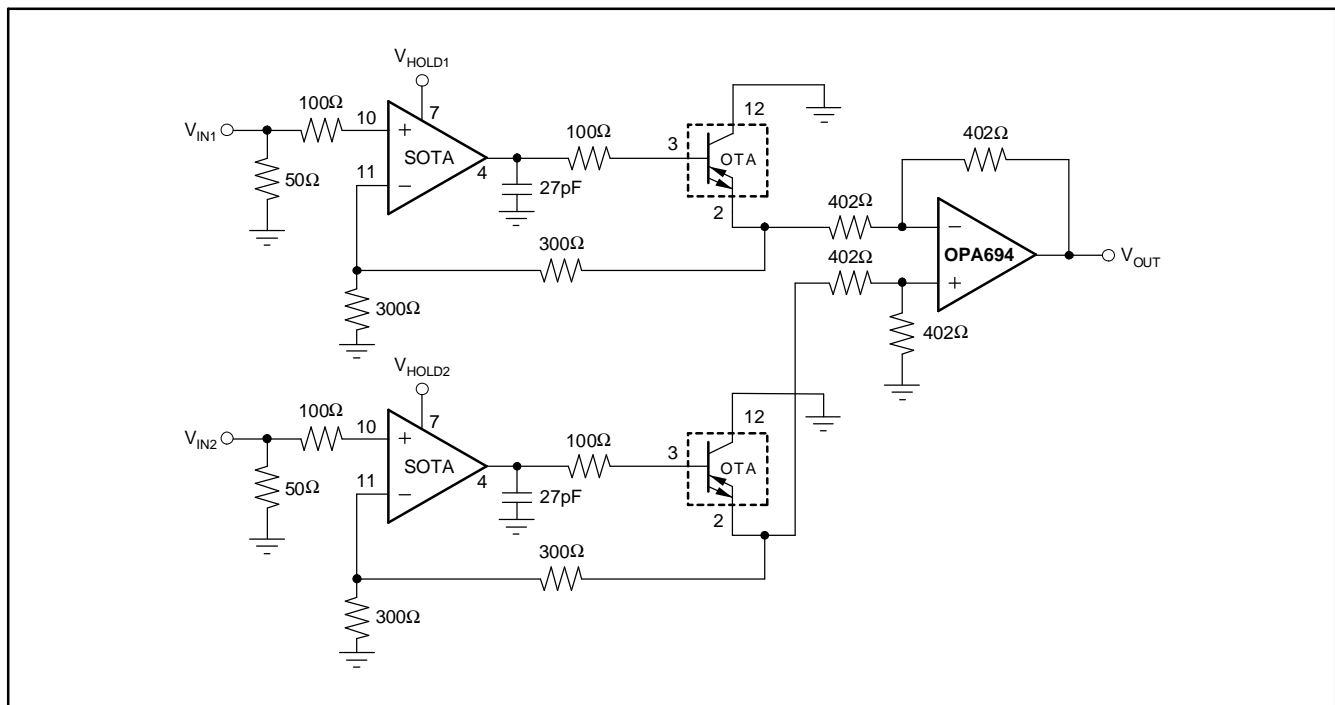


Figure 50. Correlated Double Sampler

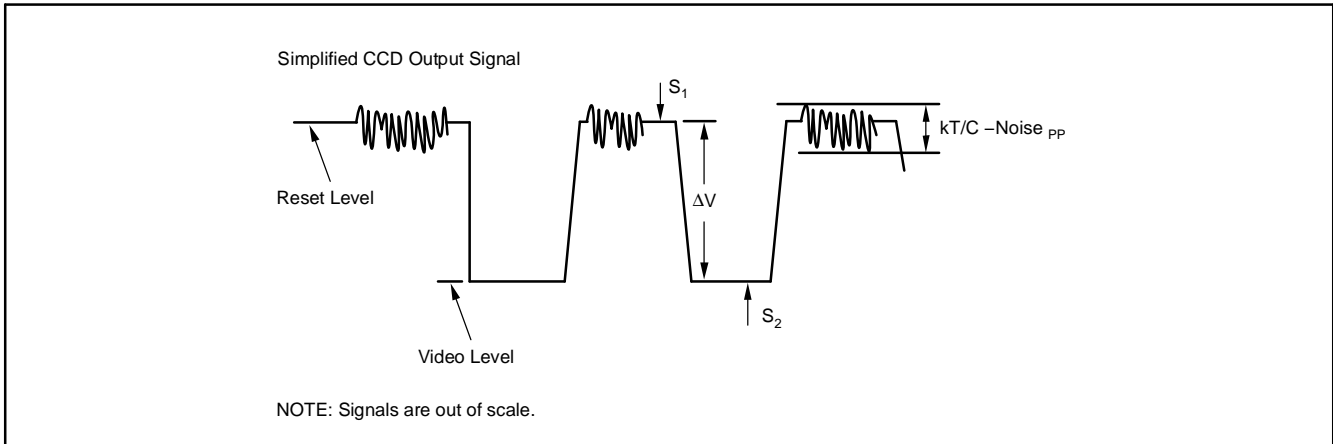


Figure 51. Improving SNR with Correlated Double Sampling

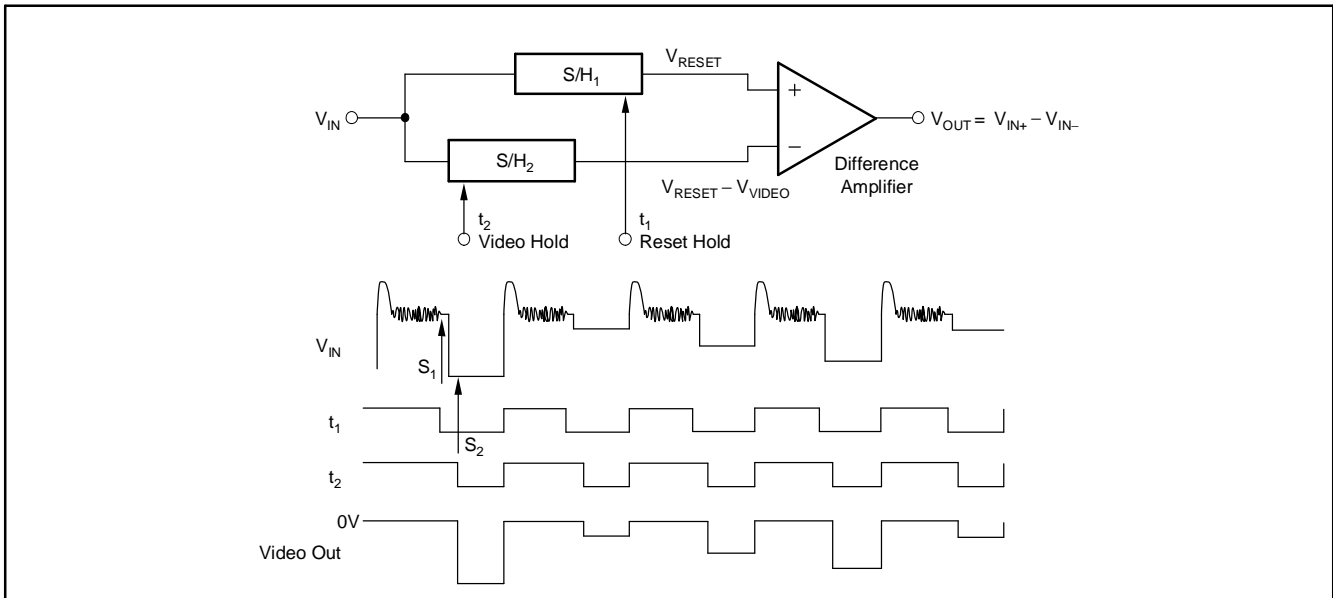


Figure 52. CDS - Circuit Concept

## BOARD LAYOUT GUIDELINES

Achieving optimum performance with a high-frequency amplifier like the OPA615 requires careful attention to printed circuit board (PCB) layout parasitics and external component types. Recommendations that will optimize performance include:

**a) Minimize parasitic capacitance to any AC ground for all of the signal I/O pins.** Parasitic capacitance on the output and inverting input pins can cause instability; on the non-inverting input, it can react with the source impedance to cause unintentional bandlimiting. To reduce unwanted capacitance, a window around the signal I/O pins should be opened in all of the ground and power planes around those pins. Otherwise, ground and power planes should be unbroken elsewhere on the board.

**b) Minimize the distance (< 0.25") from the power supply pins to high frequency 0.1 $\mu$ F decoupling capacitors.** At the device pins, the ground and power plane layout should not be in close proximity to the signal I/O pins. Avoid narrow power and ground traces to minimize inductance between the pins and the decoupling capacitors. The power-supply connections should always be decoupled with these capacitors. An optional supply-decoupling capacitor across the two power supplies (for bipolar operation) will improve 2nd-harmonic distortion performance. Larger (2.2 $\mu$ F to 6.8 $\mu$ F) decoupling capacitors, effective at a lower frequency, should also be used on the main supply pins. These may be placed somewhat farther from the device and may be shared among several devices in the same area of the PCB.

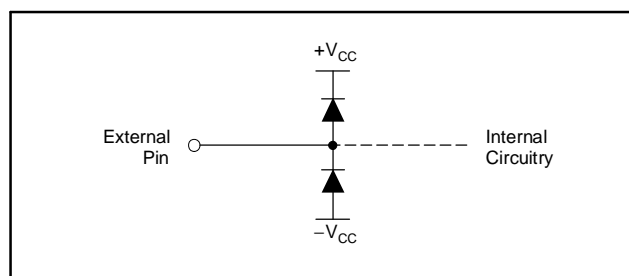
**c) Careful selection and placement of external components will preserve the high frequency performance of the OPA615.** Resistors should be a very low reactance type. Surface-mount resistors work best and allow a tighter overall layout. Metal-film and carbon composition, axially-leaded resistors can also provide good high frequency performance. Again, keep these leads and PCB trace length as short as possible. Never use wirewound-type resistors in a high frequency application. Other network components, such as noninverting input termination resistors, should also be placed close to the package.

**d) Connections to other wideband devices on the board may be made with short direct traces or through onboard transmission lines.** For short connections, consider the trace and the input to the next device as a lumped capacitive load. Relatively wide traces (50mils to 100mils) should be used, preferably with ground and power planes opened up around them.

**e) Socketing a high-speed part like the OPA615 is not recommended.** The additional lead length and pin-to-pin capacitance introduced by the socket can create an extremely troublesome parasitic network which can make it almost impossible to achieve a smooth, stable frequency response. Best results are obtained by soldering the OPA615 directly onto the PCB.

## INPUT AND ESD PROTECTION

The OPA615 is built using a very high-speed, complementary bipolar process. The internal junction breakdown voltages are relatively low for these very small geometry devices. These breakdowns are reflected in the [Absolute Maximum Ratings](#) table where an absolute maximum  $\pm 6.5$ V supply is reported. All device pins have limited ESD protection using internal diodes to the power supplies, as shown in [Figure 53](#).



**Figure 53. Internal ESD Protection**

These diodes also provide moderate protection to input overdrive voltages above the supplies. The protection diodes can typically support 30mA continuous current. Where higher currents are possible (for example, in systems with  $\pm 15$ V supply parts driving into the OPA615), current-limiting series resistors should be added into the two inputs. Keep these resistor values as low as possible since high values degrade both noise performance and frequency response.

**PACKAGING INFORMATION**

Orderable Device	Status <sup>(1)</sup>	Package Type	Package Drawing	Pins	Package Qty	Eco Plan <sup>(2)</sup>	Lead/Ball Finish	MSL Peak Temp <sup>(3)</sup>
OPA615ID	ACTIVE	SOIC	D	14	50	Green (RoHS & no Sb/Br)	CU NIPDAU	Level-2-260C-1 YEAR
OPA615IDG4	ACTIVE	SOIC	D	14	50	Green (RoHS & no Sb/Br)	CU NIPDAU	Level-2-260C-1 YEAR
OPA615IDR	ACTIVE	SOIC	D	14	2500	Green (RoHS & no Sb/Br)	CU NIPDAU	Level-2-260C-1 YEAR
OPA615IDRG4	ACTIVE	SOIC	D	14	2500	Green (RoHS & no Sb/Br)	CU NIPDAU	Level-2-260C-1 YEAR

<sup>(1)</sup> The marketing status values are defined as follows:

**ACTIVE:** Product device recommended for new designs.

**LIFEBUY:** TI has announced that the device will be discontinued, and a lifetime-buy period is in effect.

**NRND:** Not recommended for new designs. Device is in production to support existing customers, but TI does not recommend using this part in a new design.

**PREVIEW:** Device has been announced but is not in production. Samples may or may not be available.

**OBSOLETE:** TI has discontinued the production of the device.

<sup>(2)</sup> Eco Plan - The planned eco-friendly classification: Pb-Free (RoHS) or Green (RoHS & no Sb/Br) - please check <http://www.ti.com/productcontent> for the latest availability information and additional product content details.

**TBD:** The Pb-Free/Green conversion plan has not been defined.

**Pb-Free (RoHS):** TI's terms "Lead-Free" or "Pb-Free" mean semiconductor products that are compatible with the current RoHS requirements for all 6 substances, including the requirement that lead not exceed 0.1% by weight in homogeneous materials. Where designed to be soldered at high temperatures, TI Pb-Free products are suitable for use in specified lead-free processes.

**Green (RoHS & no Sb/Br):** TI defines "Green" to mean Pb-Free (RoHS compatible), and free of Bromine (Br) and Antimony (Sb) based flame retardants (Br or Sb do not exceed 0.1% by weight in homogeneous material)

<sup>(3)</sup> MSL, Peak Temp. -- The Moisture Sensitivity Level rating according to the JEDEC industry standard classifications, and peak solder temperature.

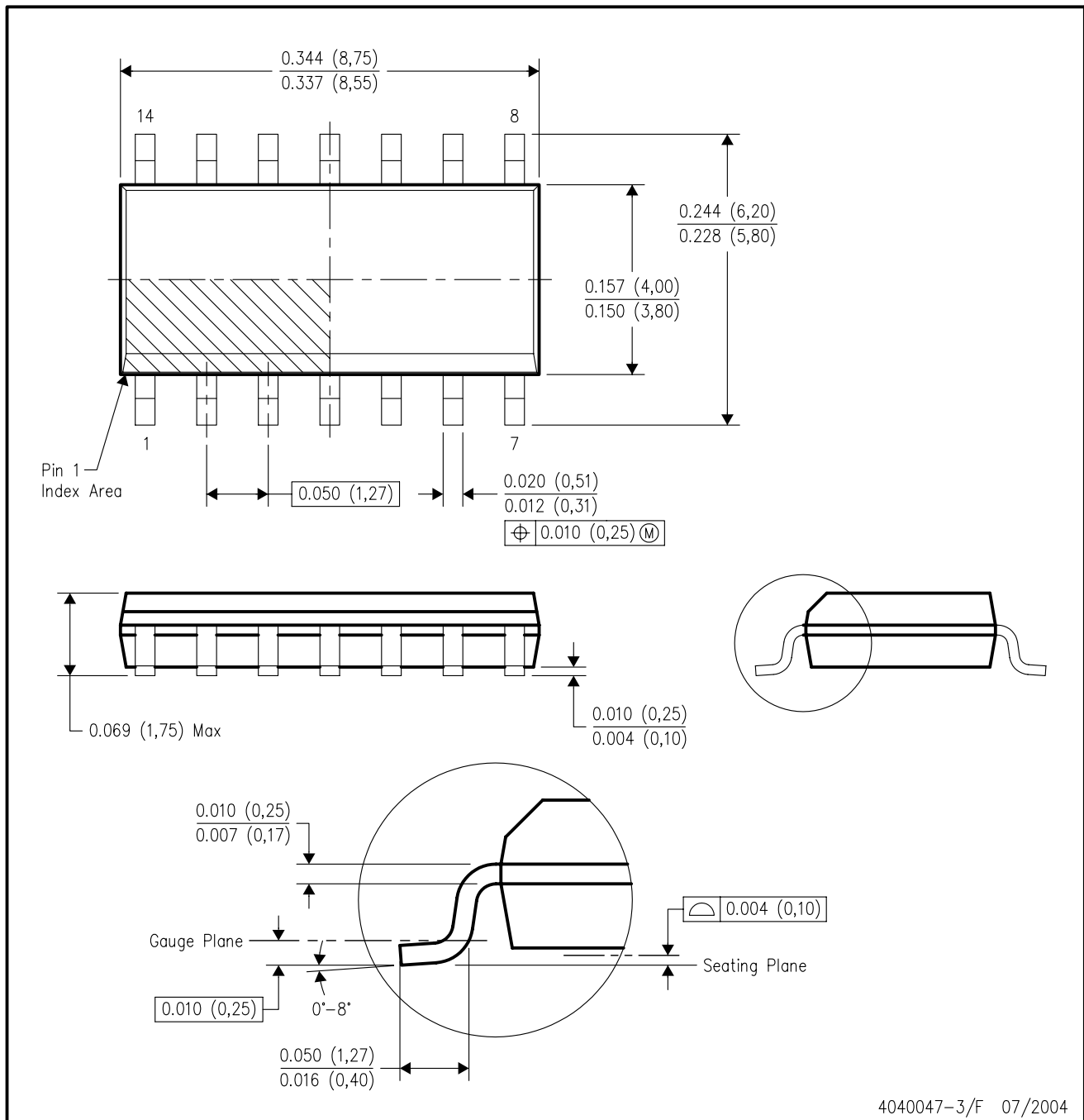
**Important Information and Disclaimer:**The information provided on this page represents TI's knowledge and belief as of the date that it is provided. TI bases its knowledge and belief on information provided by third parties, and makes no representation or warranty as to the accuracy of such information. Efforts are underway to better integrate information from third parties. TI has taken and continues to take reasonable steps to provide representative and accurate information but may not have conducted destructive testing or chemical analysis on incoming materials and chemicals. TI and TI suppliers consider certain information to be proprietary, and thus CAS numbers and other limited information may not be available for release.

In no event shall TI's liability arising out of such information exceed the total purchase price of the TI part(s) at issue in this document sold by TI to Customer on an annual basis.



D (R-PDSO-G14)

PLASTIC SMALL-OUTLINE PACKAGE



- NOTES:
- A. All linear dimensions are in inches (millimeters).
  - B. This drawing is subject to change without notice.
  - C. Body dimensions do not include mold flash or protrusion not to exceed 0.006 (0,15).
  - D. Falls within JEDEC MS-012 variation AB.

## IMPORTANT NOTICE

Texas Instruments Incorporated and its subsidiaries (TI) reserve the right to make corrections, modifications, enhancements, improvements, and other changes to its products and services at any time and to discontinue any product or service without notice. Customers should obtain the latest relevant information before placing orders and should verify that such information is current and complete. All products are sold subject to TI's terms and conditions of sale supplied at the time of order acknowledgment.

TI warrants performance of its hardware products to the specifications applicable at the time of sale in accordance with TI's standard warranty. Testing and other quality control techniques are used to the extent TI deems necessary to support this warranty. Except where mandated by government requirements, testing of all parameters of each product is not necessarily performed.

TI assumes no liability for applications assistance or customer product design. Customers are responsible for their products and applications using TI components. To minimize the risks associated with customer products and applications, customers should provide adequate design and operating safeguards.

TI does not warrant or represent that any license, either express or implied, is granted under any TI patent right, copyright, mask work right, or other TI intellectual property right relating to any combination, machine, or process in which TI products or services are used. Information published by TI regarding third-party products or services does not constitute a license from TI to use such products or services or a warranty or endorsement thereof. Use of such information may require a license from a third party under the patents or other intellectual property of the third party, or a license from TI under the patents or other intellectual property of TI.

Reproduction of information in TI data books or data sheets is permissible only if reproduction is without alteration and is accompanied by all associated warranties, conditions, limitations, and notices. Reproduction of this information with alteration is an unfair and deceptive business practice. TI is not responsible or liable for such altered documentation.

Resale of TI products or services with statements different from or beyond the parameters stated by TI for that product or service voids all express and any implied warranties for the associated TI product or service and is an unfair and deceptive business practice. TI is not responsible or liable for any such statements.

Following are URLs where you can obtain information on other Texas Instruments products and application solutions:

<b>Products</b>		<b>Applications</b>	
Amplifiers	<a href="http://amplifier.ti.com">amplifier.ti.com</a>	Audio	<a href="http://www.ti.com/audio">www.ti.com/audio</a>
Data Converters	<a href="http://dataconverter.ti.com">dataconverter.ti.com</a>	Automotive	<a href="http://www.ti.com/automotive">www.ti.com/automotive</a>
DSP	<a href="http://dsp.ti.com">dsp.ti.com</a>	Broadband	<a href="http://www.ti.com/broadband">www.ti.com/broadband</a>
Interface	<a href="http://interface.ti.com">interface.ti.com</a>	Digital Control	<a href="http://www.ti.com/digitalcontrol">www.ti.com/digitalcontrol</a>
Logic	<a href="http://logic.ti.com">logic.ti.com</a>	Military	<a href="http://www.ti.com/military">www.ti.com/military</a>
Power Mgmt	<a href="http://power.ti.com">power.ti.com</a>	Optical Networking	<a href="http://www.ti.com/opticalnetwork">www.ti.com/opticalnetwork</a>
Microcontrollers	<a href="http://microcontroller.ti.com">microcontroller.ti.com</a>	Security	<a href="http://www.ti.com/security">www.ti.com/security</a>
		Telephony	<a href="http://www.ti.com/telephony">www.ti.com/telephony</a>
		Video & Imaging	<a href="http://www.ti.com/video">www.ti.com/video</a>
		Wireless	<a href="http://www.ti.com/wireless">www.ti.com/wireless</a>

Mailing Address: Texas Instruments  
Post Office Box 655303 Dallas, Texas 75265