

# OPTO-3001A Transceiver OPTO-3001 Transceiver Digital Data Links (660 & 800 nm)

OPTO-3001A and OPTO-3001 transceivers allow transmit and receive operation of TTL data for transmission speeds up to 6 Mb/s on plastic fiber and glass fiber, respectively.

## Specifications

- Data :** TTL Interface
- Data Rate:** DC to 6 Mb/s
- Wavelength:** 660 nm & 800 nm
- No. of Fibers:** 2

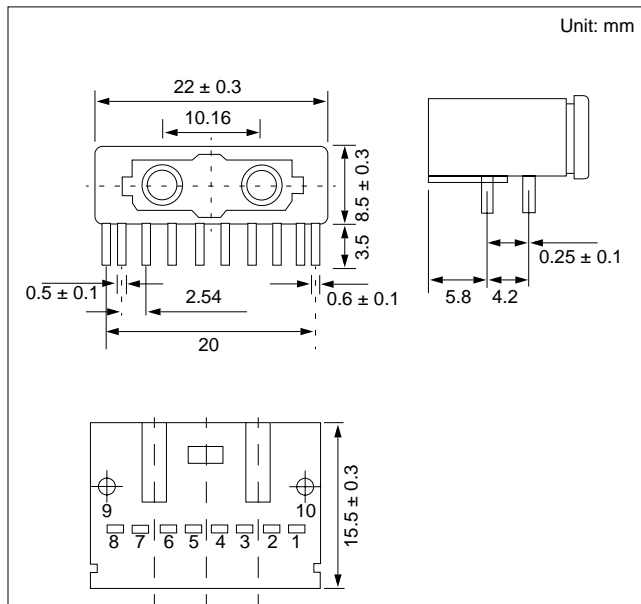
## Mounting

- Style:** PC Board
- Size:** 0.88" W x 0.62" L x 0.34" H  
22 mm x 15.5 mm x 8.5 mm

## Operating

**Temperature:** - 20° C to +70° C

**Connectors:** Duplex



- 1. Output
- 2. GND 1
- 3. V<sub>CC</sub>
- 4. GND 2
- 5. GND 3
- 6. LED Current Limiting Resistor
- 7. V<sub>CC</sub>
- 8. Input
- 9. Case
- 10. Case

Power Budget/Distance		
Fiber Size	Power Budget	Distance
Plastic 980/1000µm	16 dB	80 m
Glass 200/230µm	9 dB	1.5 km

## Ordering Information

Part Number	Description
OPTO-3001A	Transceiver, 660 nm
OPTO-3001	Transceiver, 800 nm