



## ORCA<sup>®</sup> ORT4622 Field-Programmable System Chip (FPSC) Four-Channel x 622 Mb/s Backplane Transceiver

### Introduction

Lucent Technologies Microelectronics Group has developed a solution for designers who need the many advantages of FPGA-based design implementation, coupled with high-speed serial backplane data transfer. The 622 Mb/s backplane transceiver offers a clockless, high-speed interface for interdevice communication on a board or across a backplane. The built-in clock recovery of the ORT4622 allows for higher system performance, easier-to-design clock domains in a multiboard system, and fewer signals on the backplane. Network designers will benefit from the backplane transceiver as a network termination device. The backplane transceiver offers SONET scrambling/descrambling of data and streamlined SONET framing, pointer moving, and transport overhead handling, plus the programmable logic to terminate the network into proprietary systems. For non-SONET applications, all SONET functionality is hidden from the user and no prior networking knowledge is required.

### Embedded Core Features

- Implemented in an ORCA Series 3 FPGA array.
- Allows wide range of applications for SONET network termination application as well as generic data moving for high-speed backplane data transfer.
- No knowledge of SONET/SDH needed in generic applications. Simply supply data, 78 MHz clock, and a frame pulse.
- High-speed interface (HSI) function for clock/data recovery serial backplane data transfer without external clocks.

- HSI function uses Lucent Technologies Microelectronics Group's proven 622 Mb/s serial interface core.
- Four-channel HSI function provides 622 Mb/s serial interface per channel for a total chip bandwidth of 2.5 Gb/s (full duplex).
- LVDS I/Os compliant with EIA\*-644, support hot insertion.
- 8:1 data multiplexing/demultiplexing for 77.76 MHz byte-wide data processing in FPGA logic.
- On-chip phase-lock loop (PLL) clock meets B jitter tolerance specification of ITU-T Recommendation G.958 (0.6 UI-P at 250 kHz).
- Powerdown option of HSI receiver on a per-channel basis.
- Highly efficient implementation with only 3% overhead vs. 25% for 8B10B coding.
- In-Band management and configuration.
- Streamlined pointer processor (pointer mover) for 8 kHz frame alignment to system clocks.
- Built-in boundary scan (IEEE<sup>†</sup> 1149.1 JTAG).
- FIFOs align incoming data across all four channels for STS-48 (2.5 Gb/s) operation (in quad STS-12 format).
- 1 + 1 protection supports STS-12/STS-48 redundancy by either software or hardware control for protection switching applications.

\* EIA is a registered trademark of Electronic Industries Association.

† IEEE is a registered trademark of The Institute of Electrical and Electronics Engineers, Inc.

Table 1. ORCA ORT4622—Available FPGA Logic

Device	Usable System Gates <sup>‡</sup>	Number of LUTs	Number of Registers	Max User RAM	Max User I/Os	Array Size	Number of PFUs
ORT4622	60K—120K	4032	5304	64K	259	18 x 28	504

‡ The embedded core and interface are not included in the above gate counts. The usable gate count range from a logic-only gate count to a gate count assuming 30% of the PFUs/SLICs being used as RAMs. The logic-only gate count includes each PPU/SLIC (counted as 108 gates per PPU/SLIC), including 12 gates pre-LUT/FF pair (eight per PPU), and 12 gates per SLC/FF pair (one per PPU). Each of the four PIOs per PIC is counted as 16 gates (two FFs, fast-capture latch, output logic, CLK drivers, and I/O buffers). PFUs used as RAM are counted at four gates per bit, with each PPU capable of implementing a 32 x 4 RAM (or 512 gates) per PPU.

**Table of Contents**

<b>Contents</b>	<b>Page</b>	<b>Contents</b>	<b>Page</b>
Introduction .....	1	Power Supply Decoupling LC Circuit .....	42
Embedded Core Features .....	1	LVDS I/O .....	43
FPSC Highlights .....	4	LVDS Receiver Buffer Requirements .....	44
Software Support .....	4	Timing Characteristics .....	45
Description .....	5	Description .....	45
What Is an FPSC? .....	5	PFU Timing .....	46
FPSC Overview .....	5	PLC Timing .....	46
FPSC Gate Counting .....	5	SLIC Timing .....	46
FPGA/Embedded Core Interface .....	5	PIO Timing .....	46
ORCA Foundry Development System .....	5	Special Function Timing .....	46
FPSC Design Kit .....	6	Clock Timing .....	46
FPGA Logic Overview .....	6	Configuration Timing .....	46
PLC Logic .....	6	Readback Timing .....	46
PIC Logic .....	7	Input/Output Buffer Measurement Conditions	
System Features .....	7	(on-LVDS Buffer) .....	56
Routing .....	7	FPGA Output Buffer Characteristics .....	57
Configuration .....	7	LVDS Buffer Characteristics .....	58
More Series 3 Information .....	7	Termination Resistor .....	58
ORT4622 Overview .....	8	LVDS Driver Buffer Capabilities .....	58
Device Layout .....	8	Estimating Power Dissipation .....	59
Backplane Transceiver Interface .....	8	ORT4622 Clock Power .....	59
HSI Interface .....	10	Pin Information .....	60
STM Macrocell .....	10	Package Thermal Characteristics Summary .....	83
CPU Interface .....	10	$\Theta$ JA .....	83
FPGA Interface .....	10	$\psi$ JC .....	83
FPSC Configuration .....	12	$\Theta$ JC .....	83
Generic Backplane Transceiver Application .....	13	$\Theta$ JB .....	83
Backplane Transceiver Core Detailed Description ....	13	FPGA Maximum Junction Temperature .....	83
HSI Macro .....	13	Package Thermal Characteristics .....	84
STM Transmitter (FPGA -> Backplane) .....	15	Package Coplanarity .....	84
STM Receiver (Backplane -> FPGA) .....	19	Package Parasitics .....	84
Powerdown Mode .....	25	Package Outline Diagrams .....	86
Redundancy and Protection Switching .....	25	Terms and Definitions .....	86
Memory Map .....	26	432-Pin EBGA .....	87
Definition of Register Types .....	26	680-Pin PBGAM .....	88
Memory Map Overview .....	27	Ordering Information .....	90
Powerup Sequencing for ORT4622 Device .....	35		
FPGA Configuration Data Format .....	36		
Using ORCA Foundry to Generate Configuration			
RAM Data .....	36		
FPGA Configuration Data Frame .....	36		
Bit Stream Error Checking .....	38		
FPGA Configuration Modes .....	38		
Absolute Maximum Ratings .....	39		
Recommend Operating Conditions .....	39		
Electrical Characteristics .....	40		
HSI Circuit Specifications .....	41		
Input Data .....	41		
Jitter Tolerance .....	41		
Generated Output Jitter .....	41		
PLL .....	41		
Input Reference Clock .....	41		
HSI Circuit Specifications .....	41		

**List of Figures**

Figure 1. ORCA ORT4622 Block Diagram .....	8
Figure 2. Architecture of ORT4622 Backplane Transceiver .....	11
Figure 3. HSI Functional Block Diagram .....	14
Figure 4. Byte Ordering of Input/Output Interface in STS-12 Mode.....	15
Figure 5. Interconnect of Streams for FIFO.....	20
Figure 6. Alignment of Four STS-12 Streams .....	20
Figure 7. Examples of Link Alignment.....	21
Figure 8. Pointer Mover State Machine.....	22
Figure 9. SPE and C1J1 Functionality .....	24
Figure 10. SPE Stuff Bytes.....	25
Figure 11. Serial Configuration Data Format—Autoincrement Mode.....	37

Table of Contents (continued)

Figure	Page	Table	Page
Figure 12. Serial Configuration Data Format— Explicit Mode.....	37	Table 15. General Electrical Characteristics .....	39
Figure 13. Sample Power Supply Filter Network for Analog HSI Power Supply Pins.....	42	Table 16. Electrical Characteristics for FPGA I/O.....	40
Figure 14. Transmit Parallel Port Timing (Backplane -> FPGA).....	48	Table 17. Electrical Characteristics for Embedded Core I/O Other than LVDS I/O .....	40
Figure 15. Transmit Transport Delay (FPGA -> Backplane).....	49	Table 18. Jitter Tolerance .....	41
Figure 16. Receive Parallel Port Timing (Backplane -> FPGA).....	50	Table 19. PLL .....	41
Figure 17. Protection Switch Timing .....	51	Table 20. Input Reference Clock .....	41
Figure 18. TOH Input Serial Port Timing (FPGA -> Backplane).....	52	Table 21. LVDS Driver dc Data .....	43
Figure 19. TOH Output Serial Port Timing (Backplane -> FPGA).....	53	Table 22. LVDS Driver ac Data .....	43
Figure 20. CPU Write Transaction .....	54	Table 23. LVDS Receiver dc Data .....	44
Figure 21. CPU Read Transaction.....	55	Table 24. LVDS Receiver ac Data .....	44
Figure 22. ac Test Loads .....	56	Table 25. LVDS Receiver Power Consumption .....	44
Figure 23. Output Buffer Delays .....	56	Table 26. LVDS Operating Parameters.....	44
Figure 24. Input Buffer Delays .....	56	Table 27. Derating for Commercial Devices (I/O Supply V <sub>DD</sub> ).....	45
Figure 25. Sinklim (T <sub>J</sub> = 25 °C, V <sub>DD</sub> = 3.3 V).....	57	Table 28. Derating for Commercial Devices (I/O Supply V <sub>DD2</sub> ).....	45
Figure 26. Slewlum (T <sub>J</sub> = 25 °C, V <sub>DD</sub> = 3.3 V).....	57	Table 29. ORT4622 Embedded Core and FPGA Interface Clock Operation Frequencies .....	46
Figure 27. Fast (T <sub>J</sub> = 25 °C, V <sub>DD</sub> = 3.3 V) .....	57	Table 30. Timing Requirements (Transmit Parallel Port Timing) .....	48
Figure 28. Sinklim (T <sub>J</sub> = 125 °C, V <sub>DD</sub> = 3.0 V).....	57	Table 31. Timing Requirements (Transmit Transport Delay) .....	49
Figure 29. Slewlum (T <sub>J</sub> = 125 °C, V <sub>DD</sub> = 3.0 V).....	57	Table 32. Timing Requirements (Receive Parallel Port Timing) .....	50
Figure 30. Fast (T <sub>J</sub> = 125 °C, V <sub>DD</sub> = 3.0 V) .....	57	Table 33. Timing Requirements (Protection Switch Timing) .....	51
Figure 31. LVDS Driver and Receiver and Associated Internal Components .....	58	Table 34. Timing Requirements (TOH Input Serial Port Timing) .....	52
Figure 32. LVDS Driver and Receiver.....	58	Table 35. Timing Requirements (TOH Output Serial Port Timing) .....	53
Figure 33. LVDS Driver.....	58	Table 36. Timing Requirements (CPU Write Transaction) .....	54
Figure 34. Package Parasitics.....	85	Table 37. Timing Requirements (CPU Read Transaction) .....	55
<b>List of Tables</b>		Table 38. Embedded Block Power Dissipation .....	59
Table 1. ORCA ORT4622—Available FPGA Logic.....	1	Table 39. FPGA Common-Function Pin Description .....	60
Table 2. ORT4622 Array .....	9	Table 40. FPSC Function Pin Description .....	63
Table 3. Transmitter TOH on LVDS Output (Transparent Mode).....	17	Table 41. Embedded Core/FPGA Interface Signal Description .....	65
Table 4. Transmitter TOH on LVDS Output (TOH Insert Mode) .....	17	Table 42. Embedded Core/FPGA Interface Signal Locations .....	67
Table 5. Valid Starting Positions for an STS-Mc .....	21	Table 43. 432-Pin EBGA Pinout .....	68
Table 6. Receiver TOH (Output Parallel Bus).....	23	Table 44. 680-Pin PBGAM Pinout .....	74
Table 7. SPE and C1J1 Functionality .....	24	Table 45. ORCA ORT4622 Plastic Package Thermal Guidelines .....	83
Table 8. Structural Register Elements .....	26	Table 46. ORCA ORT4622 Package Parasitics.....	84
Table 9. Memory Map .....	27	Table 47. Voltage Options .....	89
Table 10. Memory Map Bit Descriptions .....	31	Table 48. Temperature Options .....	89
Table 11. Configuration Frame Format and Contents.....	37	Table 49. Package Type Options .....	90
Table 12. Configuration Modes .....	38	Table 50. ORCA Series 3+ Package Matrix .....	90
Table 13. Absolute Maximum Ratings.....	39		
Table 14. Recommend Operating Conditions .....	39		

## **Embedded Core Features** (continued)

- Pseudo-SONET protocol including A1/A2 framing.
- SONET scrambling and descrambling for required ones density (optional).
- Selected transport overhead (TOH) bytes insertion and extraction for interdevice communication via the TOH serial link.

## **FPSC Highlights**

- Implemented as an embedded core in the *ORCA* Series 3+ FPSC architecture.
- Allows the user to integrate the core with up to 120K gates of programmable logic (all in one device) and provides up to 242 user I/Os in addition to the embedded core I/O pins.
- FPGA portion retains all of the features of the *ORCA* Series 3 FPGA architecture:
  - High-performance, cost-effective, 0.25  $\mu$ m, 5-level metal technology.
  - Twin-quad programmable function unit (PFU) architecture with eight 16-bit look-up tables (LUTs) per PFU, organized in two nibbles for use in nibble- or byte-wide functions. Allows for mixed arithmetic and logic functions in a single PFU.
  - Softwired LUTs (SWL) allow fast cascading of up to three levels of LUT logic in a single PFU.
  - Supplemental logic and interconnect cell (SLIC) provides 3-statable buffers, up to 10-bit decoder, and *PAL*\*-like AND-OR-INVERT (AOI) in each programmable logic cell (PLC).
  - Up to three ExpressCLK inputs allow extremely fast clocking of signals on- and off-chip plus access to internal general clock routing.
  - Dual-use microprocessor interface (MPI) can be used for configuration, as well as for a general-purpose interface to the FPGA. Glueless interface to *i960*<sup>†</sup> and *PowerPC*<sup>‡</sup> processors with user-configurable address space provided.
  - Programmable clock manager (PCM) adjusts clock phase and duty cycle for input clock rates from 5 MHz to 120 MHz. The PCM may be com-

— bined with FPGA logic to create complex functions, such as digital phase-locked loops, frequency counters, and frequency synthesizers or clock doublers. Two PCMs are provided per device.

- True internal 3-state, bidirectional buses with simple control provided by the SLIC.
- 32 x 4 RAM per PFU, configurable as single or dual port. Create large, fast RAM/ROM blocks (128 x 8 in only eight PFUs) using the SLIC decoders as bank drivers.
- Built-in boundary scan (*IEEE* 1149.1 JTAG) and TS\_ALL testability function to 3-state all I/O pins.

- High-speed, on-chip interface provided between FPGA logic and embedded core to reduce bottlenecks typically found when interfacing off-chip.

## **Software Support**

- Supported by *ORCA* Foundry software and third-party CAE tools for implementing *ORCA* Series 3+ devices and simulation/timing analysis with the embedded core functions.
- Embedded core configuration options and simulation netlists generated by FPSC Configuration Manager utility.

\* *PAL* is a trademark of Advanced Micro Devices, Inc.

† *i960* is a registered trademark of Intel Corporation.

‡ *PowerPC* is a registered trademark of International Business Machines Corporation.

## Description

### What Is an FPSC?

FPSCs, or field-programmable system chips, are devices that combine field-programmable logic with ASIC or mask-programmed logic on a single device. FPSCs provide the time to market and flexibility of FPGAs, the design effort savings of using soft intellectual property (IP) cores, and the speed, design density, and economy of ASICs.

### FPSC Overview

Lucent's Series 3+ FPSCs are created from Series 3 ORCA FPGAs. To create a Series 3+ FPSC, several rows of programmable logic cells (see FPGA Logic Overview section for FPGA logic details) are removed from a Series 3 ORCA FPGA, and the area is replaced with an embedded logic core. Other than replacing some FPGA gates with ASIC gates, at greater than 10:1 efficiency, none of the FPGA functionality is changed—all of the Series 3 FPGA capability is retained: MPI, PCMs, boundary scan, etc. The rows of programmable logic are replaced at the bottom of the device, allowing pins on the bottom and sides of the replaced rows to be used as I/O pins for the embedded core. The remainder of the device pins retain their FPGA functionality as do special function FPGA pins within the embedded core area.

The embedded cores can take many forms and generally come from Lucent Technologies ASIC libraries. Other offerings allow customers to supply their own core functions for the creation of custom FPSCs.

### FPSC Gate Counting

The total gate count for an FPSC is the sum of its embedded core (standard-cell/ASIC gates) and its FPGA gates. Because FPGA gates are generally expressed as a usable range with a nominal value, the total FPSC gate count is sometimes expressed in the same manner. Standard-cell ASIC gates are, however, 10 to 25 times more silicon area efficient than FPGA gates. Therefore, an FPSC with an embedded function is gate equivalent to an FPGA with a much larger gate count.

## FPGA/Embedded Core Interface

The interface between the FPGA logic and the embedded core is designed to look like FPGA I/Os from the FPGA side, simplifying interface signal routing and providing a unified approach with general FPGA design. Effectively, the FPGA is designed as if signals were going off of the device to the embedded core, but the on-chip interface is much faster than going off-chip and requires less power. All of the delays for the interface are precharacterized and accounted for in the ORCA Foundry Development System.

Clock spines also can pass across the FPGA/embedded core boundary. This allows for fast, low-skew clocking between the FPGA and the embedded core. Many of the special signals from the FPGA, such as DONE and global set/reset, are also available to the embedded core, making it possible to fully integrate the embedded core with the FPGA as a system.

For even greater system flexibility, FPGA configuration RAMs are available for use by the embedded core. This allows for user-programmable options in the embedded core, in turn allowing for greater flexibility. Multiple embedded core configurations may be designed into a single device with user-programmable control over which configurations are implemented, as well as the capability to change core functionality simply by reconfiguring the device.

## ORCA Foundry Development System

The ORCA Foundry Development System is used to process a design from a netlist to a configured FPSC. This system is used to map a design onto the ORCA architecture and then place and route it using ORCA Foundry's timing-driven tools. The development system also includes interfaces to, and libraries for, other popular CAE tools for design entry, synthesis, simulation, and timing analysis.

The ORCA Foundry Development System interfaces to front-end design entry tools and provides the tools to produce a configured FPSC. In the design flow, the user defines the functionality of the FPGA portion of the FPSC and embedded core settings at two points in the design flow: at design entry and at the bit stream generation stage. Following design entry, the development system's map, place, and route tools translate the netlist into a routed FPSC. A static timing analysis tool is provided to determine device speed, and a back-annotated netlist can be created to allow simulation.

## **Description** (continued)

Timing and simulation output files from *ORCA* Foundry are also compatible with many third-party analysis tools. Its bit stream generator is then used to generate the configuration data which is loaded into the FPSC's internal configuration RAM.

When using the bit stream generator, the user selects options that affect the functionality of the FPSC. Combined with the front-end tools, *ORCA* Foundry produces configuration data that implements the various logic and routing options discussed in this data sheet.

## **FPSC Design Kit**

Development is facilitated by an FPSC design kit which, together with *ORCA* Foundry and third-party synthesis and simulation engines, provides all software and documentation required to design and verify an FPSC implementation. Included in the kit are the FPSC configuration manager, HDL gate-level structural netlists, all necessary synthesis libraries, and complete online documentation. The kit's software couples with *ORCA* Foundry, providing a seamless FPSC design environment. More information can be obtained by visiting the *ORCA* website or contacting a local sales office, both listed on the last page of this document.

## **FPGA Logic Overview**

*ORCA* Series 3 FPGA logic is a new generation of SRAM-based FPGA logic built on the successful Series 2 FPGA line from Lucent Technologies Microelectronics Group, with enhancements and innovations geared toward today's high-speed designs on a single chip. Designed from the start to be synthesis friendly and to reduce place and route times while maintaining the complete routability of the *ORCA* Series 2 devices, the Series 3 more than doubles the logic available in each logic block and incorporates system-level features that can further reduce logic requirements and increase system speed. *ORCA* Series 3 devices contain many new patented enhancements and are offered in a variety of packages, speed grades, and temperature ranges.

*ORCA* Series 3 FPGA logic consists of three basic elements: programmable logic cells (PLCs), programmable input/output cells (PICs), and system-level features. An array of PLCs is surrounded by PICs. Each PLC contains a programmable function unit (PFU), a supplemental logic and interconnect cell (SLIC), local routing resources, and configuration RAM. Most of the FPGA logic is performed in the PFU, but decoders, *PAL*-like functions, and 3-state buffering can be performed in the SLIC. The PICs provide device inputs and outputs and can be used to register signals and to perform input demultiplexing, output multiplexing, and other functions on two output signals. Some of the system-level functions include the new microprocessor interface (MPI) and the programmable clock manager (PCM).

## **PLC Logic**

Each PFU within a PLC contains eight 4-input (16-bit) look-up tables (LUTs), eight latches/flip-flops (FFs), and one additional flip-flop that may be used independently or with arithmetic functions.

The PFU is organized in a twin-quad fashion: two sets of four LUTs and FFs that can be controlled independently. LUTs may also be combined for use in arithmetic functions using fast-carry chain logic in either 4-bit or 8-bit modes. The carry-out of either mode may be registered in the ninth FF for pipelining. Each PFU may also be configured as a synchronous 32 x 4 single- or dual-port RAM or ROM. The FFs (or latches) may obtain input from LUT outputs or directly from invertible PFU inputs, or they can be tied high or tied low. The FFs also have programmable clock polarity, clock enables, and local set/reset.

The SLIC is connected to PLC routing resources and to the outputs of the PFU. It contains 3-state, bidirectional buffers and logic to perform up to a 10-bit AND function for decoding, or an AND-OR with optional INVERT (AOI) to perform *PAL*-like functions. The 3-state drivers in the SLIC and their direct connections to the PFU outputs make fast, true 3-state buses possible within the FPGA logic, reducing required routing and allowing for real-world system performance.

## Description (continued)

### PIC Logic

The Series 3 PIC addresses the demand for ever-increasing system clock speeds. Each PIC contains four programmable inputs/outputs (PIOs) and routing resources. On the input side, each PIO contains a fast-capture latch that is clocked by an ExpressCLK. This latch is followed by a latch/FF that is clocked by a system clock from the internal general clock routing. The combination provides for very low setup requirements and zero hold times for signals coming on-chip. It may also be used to demultiplex an input signal, such as a multiplexed address/data signal, and register the signals without explicitly building a demultiplexer. Two input signals are available to the PLC array from each PIO, and the *ORCA* Series 2 capability to use any input pin as a clock or other global input is maintained.

On the output side of each PIO, two outputs from the PLC array can be routed to each output flip-flop, and logic can be associated with each I/O pad. The output logic associated with each pad allows for multiplexing of output signals and other functions of two output signals.

The output FF, in combination with output signal multiplexing, is particularly useful for registering address signals to be multiplexed with data, allowing a full clock cycle for the data to propagate to the output. The I/O buffer associated with each pad is the same as the *ORCA* Series 3 buffer.

### System Features

The Series 3 also provides system-level functionality by means of its dual-use microprocessor interface (MPI) and its innovative programmable clock manager (PCM). These functional blocks allow for easy glueless system interfacing and the capability to adjust to varying conditions in today's high-speed systems. Since these and all other Series 3 features are available in every Series 3+ FPSC, they can also interface to the embedded core providing for easier system integration.

## Routing

The abundant routing resources of *ORCA* Series 3 FPGA logic are organized to route signals individually or as buses with related control signals. Clocks are routed on a low-skew, high-speed distribution network and may be sourced from PLC logic, externally from any I/O pad, or from the very fast ExpressCLK pins. ExpressCLKs may be glitchlessly and independently enabled and disabled with a programmable control signal using the StopCLK feature. The improved PIC routing resources are now similar to the patented intra-PLC routing resources and provide great flexibility in moving signals to and from the PIOs. This flexibility translates into an improved capability to route designs at the required speeds when the I/O signals have been locked to specific pins.

## Configuration

The FPGA logic's functionality is determined by internal configuration RAM. The FPGA logic's internal initialization/configuration circuitry loads the configuration data at powerup or under system control. The RAM is loaded by using one of several configuration modes, including serial EEPROM, the microprocessor interface, or the embedded function core.

## More Series 3 Information

For more information on Series 3 FPGAs, please refer to the Series 3 FPGA data sheet, available on the *ORCA* worldwide website or by contacting Lucent Technologies as directed on the back of this data sheet.

**ORT4622 Overview**

**Device Layout**

The ORT4622 FPSC provides a high-speed backplane transceiver combined with FPGA logic. The device is based on a 2.5 V 3.3 V I/O OR3L125B FPGA. The OR3L125B has a 28 x 28 array of programmable logic cells (PLCs). For the ORT4622, the bottom ten rows of PLCs in the array were replaced with the embedded backplane transceiver core. The ORT4622 embedded core comprises the HSI macrocell, the synchronous transport module (STM) macrocell, a CPU interface, and LVDS I/Os. The four full-duplex channels perform data transfer, scrambling/descrambling and framing at the rate of 622 Mbits/s. Figure 1 shows the ORT4622 block diagram.

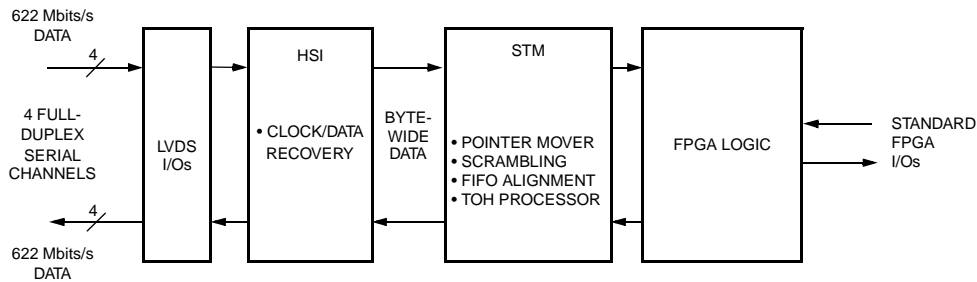
Table 2 shows a schematic view of the ORT4622. The upper portion of the device is an 18 x 28 array of PLCs surrounded on the left, top, and right by programmable input/output cells (PICs). At the bottom of the PLC array are the core interface cells (CICs) connecting to the embedded core region. The embedded core region contains the backplane transceiver functionality of the device. It is surrounded on the left, bottom, and right by backplane transceiver dedicated I/Os as well as power and special function FPGA pins. Also shown are the interquad routing blocks (hIQ, vIQ) present in the Series 3 FPGA devices. System-level functions (located in the corners of the PLC array), routing resources, and configuration RAM are not shown in Table 2.

**Backplane Transceiver Interface**

The advantage of the ORT4622 FPSC is to bring specific networking functions to an early market presence with programmable logic in FPGA system.

The 622 Mbits/s backplane transceiver core allows the ORT4622 to communicate across a backplane or on a given board at an aggregate speed of 2.5 Gbits/s, providing a physical medium for high-speed asynchronous serial data transfer between system devices. This device is intended for, but not limited to, connecting terminal equipment in SONET/SDH and ATM systems.

For networking applications, the ORT4622 offers a pseudo SONET framer and scrambler/descrambler interface capable of frame synchronization and insertion/extraction of selectable transport overhead bytes and SONET scrambling and descrambling for four STS-12 (622 Mbits/s) channels. The channels are synchronized to each other by a user-provided 8 kHz frame pulse. The ORT4622 also provides STS-48 (2.5 Gbits/s) operation across all four channels where each channel is in STS-12 format. The pseudo-SONET framer of OR4622 is designed with a reduced set of the SONET framing algorithm. The pointer processing capability is more suitable for low error rate intersystem data communication, particular for backplane transceiver applications. Figure 2 shows the architecture of the ORT4622 backplane transceiver core.



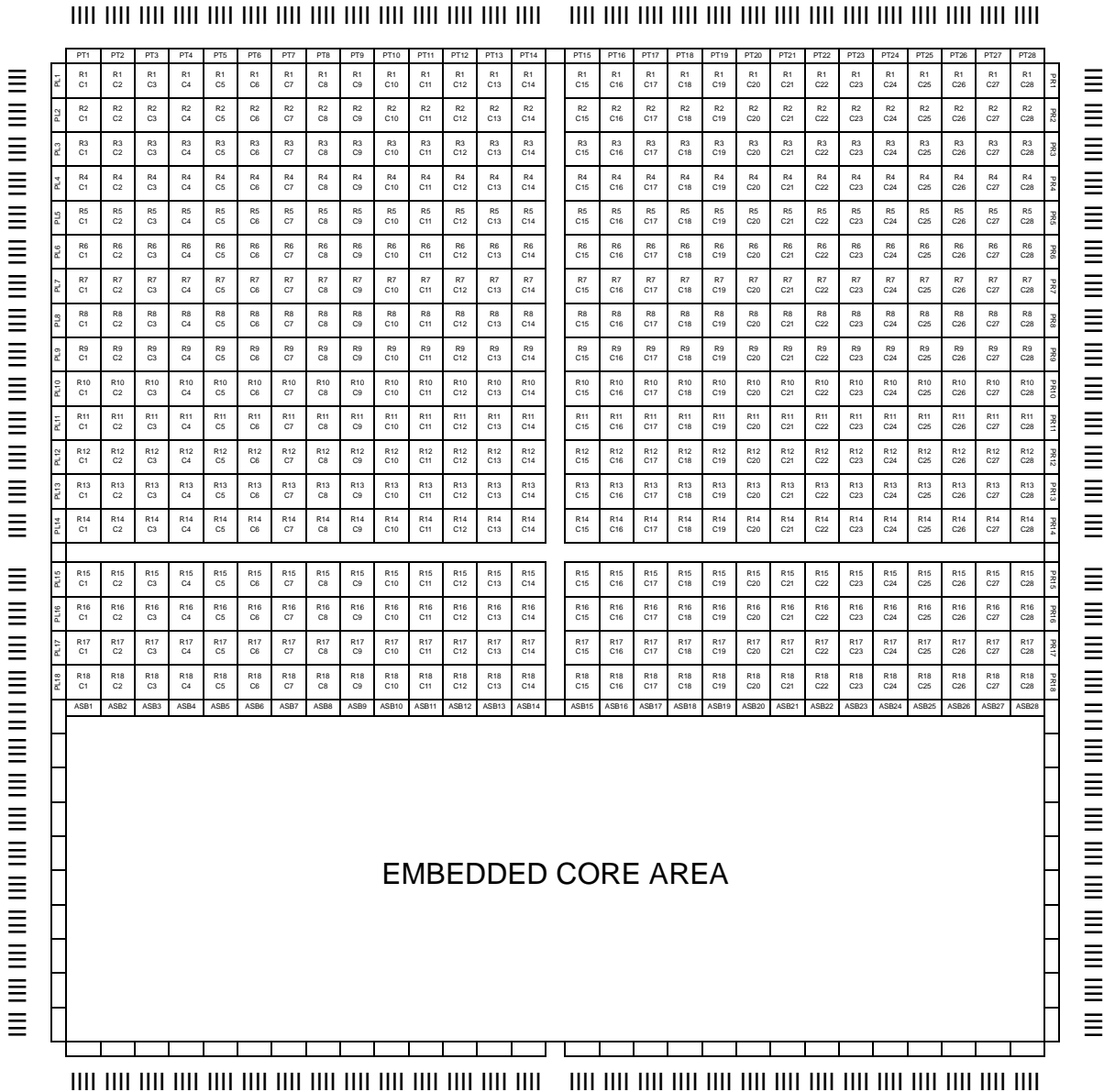
5-8113(F)

**Figure 1. ORCA ORT4622 Block Diagram**



ORT4622 Overview (continued)

Table 2. ORT4622 Array



EMBEDDED CORE AREA

## **ORT4622 Overview** (continued)

### **HSI Interface**

The high-speed interconnect (HSI) macrocell is used for clock/data recovery and MUX/deMUX between 77.76 MHz byte-wide internal data buses and 622 Mb/s external serial links.

The HSI interface receives four 622 Mb/s serial input data streams from the LVDS inputs and provides four independent 77.76 MHz byte-wide data streams and recovered clock to the STM macro. There is no requirement for bit alignment since SONET type framing will take place inside the ORT4622 core. For transmit, the HSI converts four byte-wide 77.76 MHz data streams to serial streams at 622 Mb/s at the LVDS outputs.

### **STM Macrocell**

The STM portion of the embedded core consists of transmitter (Tx) and receiver (Rx) sections. The receiver receives four byte-wide data streams at 77.76 MHz and the associated clocks from the HSI. In the Rx section, the incoming streams are SONET framed and descrambled before they are written into a FIFO which absorbs phase and delay variations and allows the shift to the system clock. The TOH is then extracted and sent out on the four serial ports. The pointer Mover consists of three blocks: pointer interpreter, elastic store, and pointer generator. The pointer interpreter finds the synchronous transport signal (STS) synchronous payload envelopes (SPE) and places it into a small elastic store from which the pointer generator will produce four byte-wide STS-12 streams of data that are aligned to the system timing pulse.

In the Tx section, transmitted data for each channel is received through a parallel bus and a serial port from the FPGA circuit. TOH bytes are received from the serial input port and can be optionally inserted from programmable registers or serial inputs to the STS-12 frame via the TOH processor. Each of the four parallel input buses is synchronized to a free-running system clock. Then the SPE and TOH data is transferred to the HSI.

The STM macrocell also has a scrambler/descrambler disable feature, allowing the user to disable the scrambler of the transmitter and the descrambler of the receiver. Also, unused channels can be disabled to reduce power dissipation.

### **CPU Interface**

The embedded core has a dedicated, asynchronous, MPC860 compatible, CPU interface that is used for device setup, control, and monitoring. Dual sets of I/O pins of this CPU interface with a bit stream configurable scheme provide designers a convenient and flexible option for configuration. One set of CPU I/O pins goes off chip allowing direct connection with an onboard CPU. Another set of CPU I/O pins is available to the FPGA logic allowing for a stand-alone system free of an external CPU interface, or for integration into the Series 3 FPGA MPI interface.

The CPU interface is composed of an 8-bit data bus, a 7-bit address bus, a chip select signal, a read/write signal, and an interrupt signal.

### **FPGA Interface**

The FPGA logic will receive/transmit frame-aligned streams of 77.76 MHz data (maximum of four streams in each direction) from/to the backplane transceiver embedded core. All frames transmitted to the FPGA will be aligned to the FPGA frame pulse which will be provided by the FPGA user's logic to the STM macro. All frames received from the FPGA logic will be aligned to the system frame pulse that will be supplied to the STM macro from the FPGA user's logic.

ORT4622 Overview (continued)

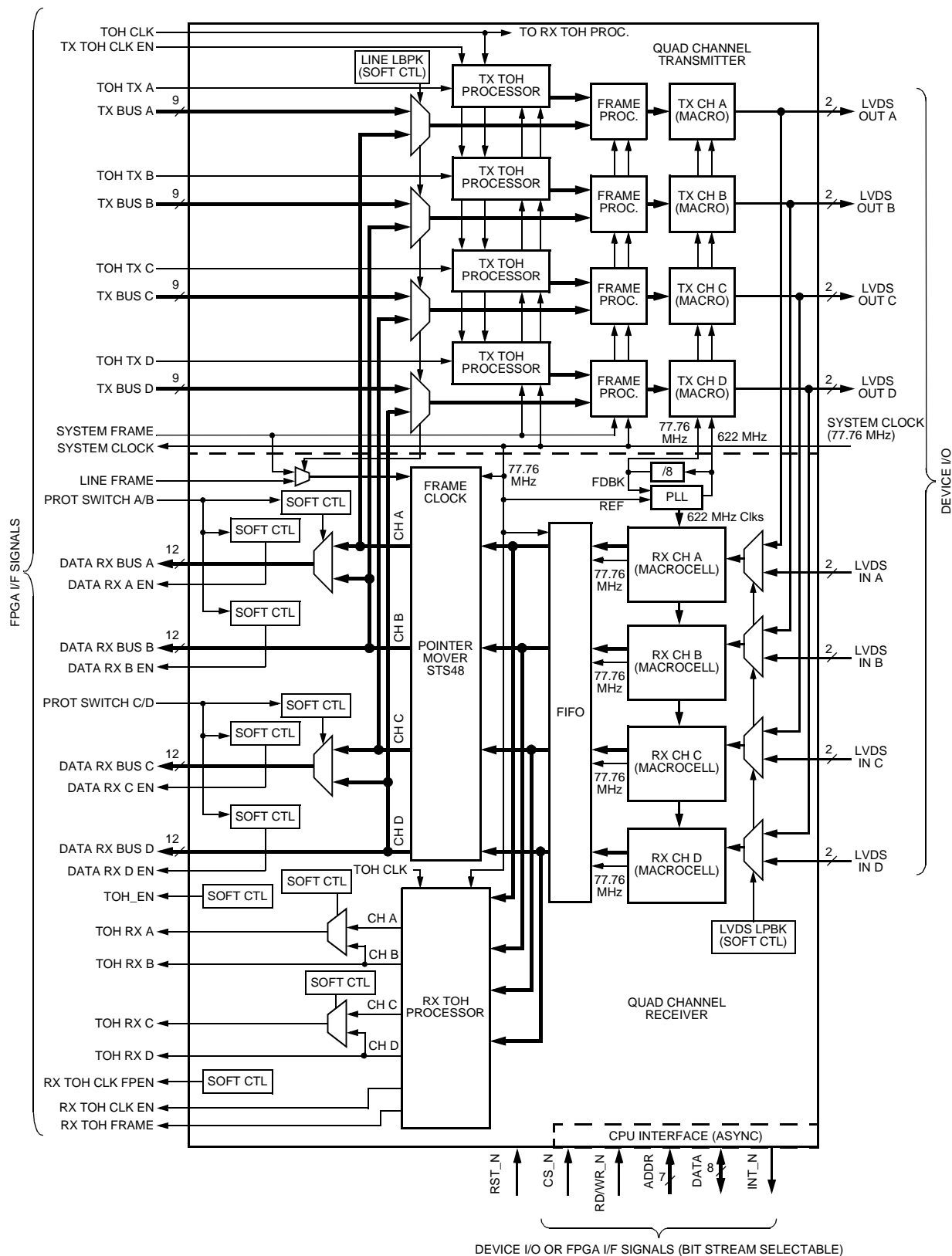


Figure 2. Architecture of ORT4622 Backplane Transceiver

5-8576 (F)

## **ORT4622 Overview** (continued)

### **FPSC Configuration**

Configuration of the ORT4622 occurs in two stages, FPGA bit stream configuration and embedded core setup.

### **FPGA Configuration**

Prior to becoming operational, the FPGA goes through a sequence of states, including powerup initialization, configuration, start-up, and operation. The FPGA logic is configured by standard FPGA bit stream configuration means as discussed in the Series 3 FPGA data sheet. Additionally, for the ORT4622, the location of the CPU interface to the embedded core, either on the device pins or at the FPGA/embedded core boundary, is configured via FPGA configuration and is defined via the ORT4622 design kit. The default configuration sets the CPU interface pins to be active. A simple microprocessor emulation soft Intellectual Property (IP) core that uses very small FPGA logic is available from Lucent. This microprocessor core sets up the embedded core via a state machine and allows the ORT4622 to work in an independent system without an external microprocessor interface.

### **Embedded Core Setup**

The embedded core operation is set up via the embedded core CPU interface. All options for the operation of the core are configured according to the device register map presented in the detailed description section of this data sheet.

During the powerup sequence, the ORT4622 device (FPGA programmable circuit and the core) is held in reset. All the LVDS output buffers and other output buffers are held in 3-state. All flip-flops in core area are in reset state, with the exception of the boundary scan shift registers, which can only be reset by Boundary Scan Reset. After powerup reset, the FPGA can start configuration. During FPGA configuration, the ORT4622 core will be held in reset and all the local bus interface signals are forced high, but the following active-high signals (PROT\_SWITCH\_A, PROT\_SWITCH\_C, TX\_TOH\_CK\_EN, SYS\_FP, LINE\_FP) are forced low. The CORE\_READY signal sent from the embedded core to FPGA is held low, indi-

cating core is not ready to interact with FPGA logic. At the end of the FPGA configuration sequence, the CORE\_READY signal will be held low for six SYS\_CLK cycles after DONE, TRI\_IO and RST\_N (core global reset) are high. Then it will go active-high, indicating the embedded core is ready to function and interact with FPGA programmable circuit. During FPGA reconfiguration when DONE and TRI\_IO are low, the CORE\_READY signal sent from the core to FPGA will be held low again to indicate the embedded core is not ready to interact with FPGA logic. During FPGA partial configuration, CORE\_READY stays active. The same FPGA configuration sequence described previously will repeat again.

The initialization of the embedded core consists of two steps: register configuration and synchronization of the alignment FIFO. In order to configure the embedded core, the registers need to be unlocked by writing 0x04 to address 0x04 and writing 0x01 to address 0x05. Control registers 0x04 and 0x05 are lock registers. If the output bus of the data, serial TOH port, and TOH clock and TOH frame pulse are controlled by 3-state registers (the use of the registers for 3-state output control is optional; these output 3-state enable signals are brought across the local bus interface and available to the FPGA side), the next step is to activate the 3-state output bus and signals by taking them to functional state from high-impedance state. This can be done by writing 0x01 to correspond bits of the channel registers 0x20, 0x38, 0x50, and 0x68. If the 3-state control is done in FPGA logic or external logic instead of in the embedded core registers, this step should be done in that particular control logic also.

In addition, the synchronization of selected streams is recommended for some networking systems applications. This is a resync of the alignment FIFO after the enabled channels have a valid frame pulse. Here are the procedures: Put all of the streams to be aligned, including disabled streams, into their required alignment mode. Force AIS-L in all streams to be synchronized (refer to register map, write 0x01 to DB1 of register 0x20, 0x38, 0x50, 0x68). Wait four frames. Write a 0x01 to the FIFO alignment resync register, bit DB1 of register 0x06. Wait four frames. Release the AIS-L in all streams (write 1 to DB1 of register 0x20, 0x38, 0x50, 0x68). This procedure allows normal data flow through the embedded core.

## Generic Backplane Transceiver Application

The combination of ORT4622 and soft IP cores provides a generic data moving solution for non-SONET applications. There is no requirement for SONET knowledge to the users. All that is needed is to supply the embedded core interface with data, clock, and a 8 kHz frame pulse. The provision registers may also need to be set up, and this can be done through either the FPGA MPI or in a state machine in the FPGA section (VHDL code available from Lucent).

The 8 kHz frame pulse must be supplied to the SYS\_FP signal. For generic applications, the frame pulse can be created in FPGA logic from the 77.76 MHz SYS\_CLK using a simple resettable counter (the frame pulse should only be high for one cycle of the SYS\_CLK). A VHDL core that automatically provides the 8 kHz frame pulse is available from Lucent. Byte-wide data is then sent to each of the transmit channels as follows: the first 36 bytes transferred will be invalid data (replaced by overhead), where the first byte is sent on the rising edge of SYS\_CLK when SYS\_FP is high. The next 1044 byte positions can be filled with valid data. This will repeat a total of nine times (36 invalid bytes followed by 1044 valid bytes) at which time the next 8 kHz frame pulse will be found. Thus, 87 out of 90 (96.7%) of the data bytes sent are valid user data.

On the receive side, an 8 kHz pulse must again be supplied to SYS\_FP. In this case, however, only the signal DATA\_RX\*\_SPE must be monitored for each channel, where a high value on this signal means valid data. Again 87 out 90 bytes received (96.7%) will be valid data.

In order to provide an easy user interface to transfer arbitrary data streams through the ORT4622, Lucent provides a soft Intellectual Property (IP) core called the protocol independent framer, or PI-Framer. This block transfers user format to the one described above and allows for smoothing/rate transfer of this user data. This framer works with a single channel at 622 Mb/s, two channels at 1.25 Gb/s, or across four channels at 2.5 Gb/s.

## Backplane Transceiver Core Detailed Description

### HSI Macro

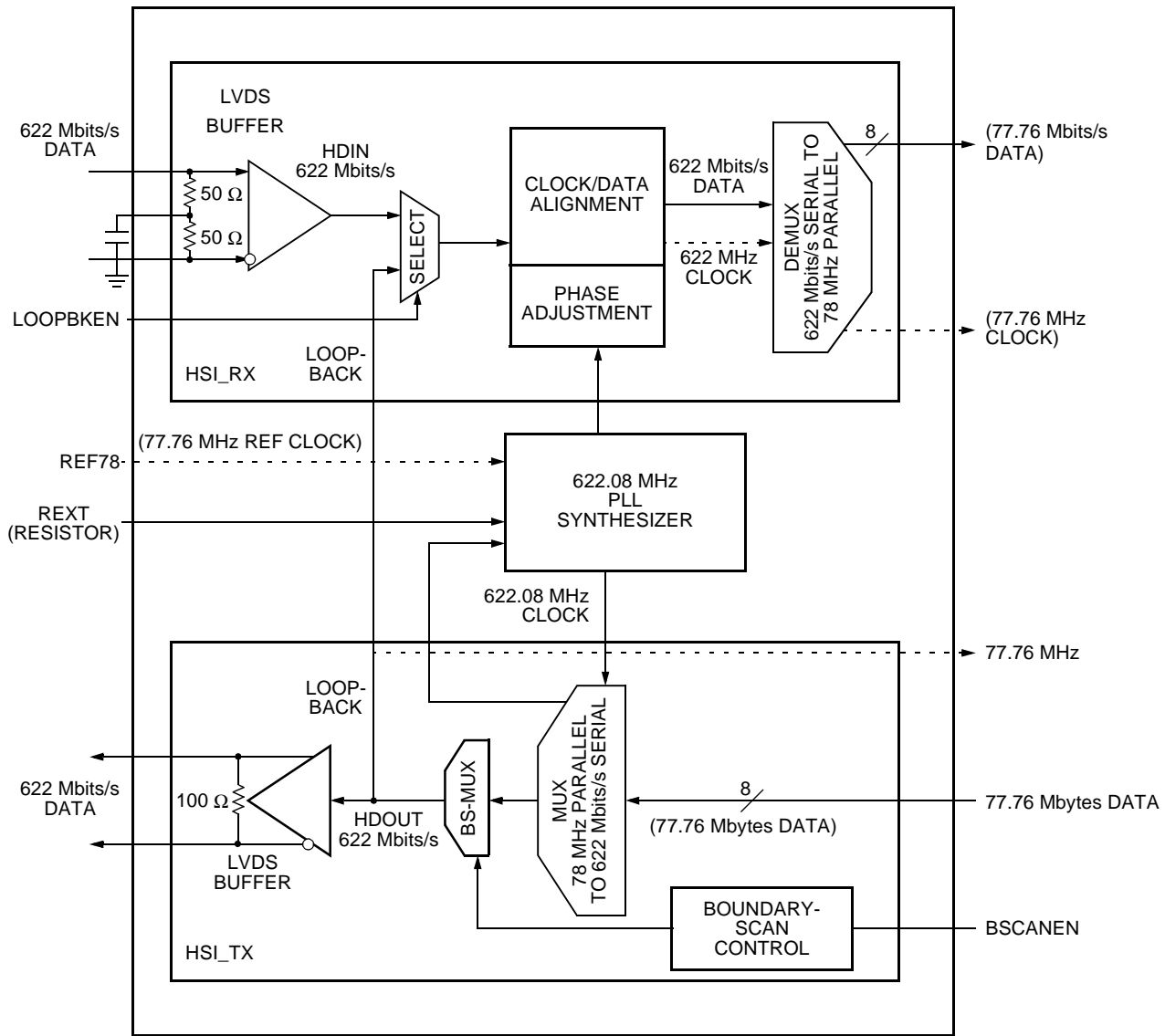
The high-speed interface (HSI) provides a physical medium for high-speed asynchronous serial data transfer between the ORT4622 and other devices. The devices can be mounted on the same board or mounted on different boards and connected through the shelf backplane. The 622 Mb/s CDR macro is a four-channel clock phase select (CPS) and data retiming function with serial-to-parallel demultiplexing for the incoming data stream and parallel-to-serial multiplexing for outgoing data. The HSI macro consists of three functionally independent blocks: receiver, transmitter, and PLL synthesizer as shown in Figure 3.

The PLL synthesizer block receives a 77.76 MHz reference clock at its input, and provides a phase-locked 622.08 MHz clock to the transmitter block and phase control signal to the receiver block. The PLL synthesizer block is a common asset shared by four receive and transmit channels.

The HSI receiver receives four channels of differential 622.08 Mb/s serial data without clock at its LVDS receive inputs. The received data must be scrambled, conforming to SONET STS-12 and SDH STM-4 data formats using either a PN7 or PN9 sequence. The PN7 characteristic polynomial is  $1 + x^6 + x^7$ , and PN9 characteristic polynomial is  $1 + x^4 + x^9$ . The ORT4622 supplies a default scrambler using the PN7 sequence. The clock phase select and data retiming (CPS/DR) module performs a clock recovery and data retiming function by using phase control information. The resultant 622.08 Mb/s data and clock are then passed to the deserializer module, which performs serial-to-parallel conversion and provides a 77.76 Mb/s parallel data and clock at its output.

The HSI transmitter receives four channels of 77.76 Mb/s parallel data that is synchronous to the reference clock at its inputs. The serializer performs a parallel-to-serial conversion using a 622.08 MHz clock provided by the PLL/synthesizer block. The 622 Mb/s serial data streams are then transmitted through the LVDS drivers.

Backplane Transceiver Core Detailed Description (continued)



5-8592 (F)

Figure 3. HSI Functional Block Diagram

## Backplane Transceiver Core Detailed Description (continued)

### STM Transmitter (FPGA -> Backplane)

The STM has four STS-12 transmit channels which can be treated as a single STS-48 channel. In general, the transmitter circuit receives four byte-wide 77.76 MHz data from the FPGA, which nominally represents four STS-12 streams (A, B, C, and D). This data is synchronized to the system (reference) clock, and an 8 kHz system frame pulse from the FPGA logic. Transport overhead bytes are then optionally inserted into these streams, and the streams are forwarded to the HSI. All byte timing pulses required to isolate individual overhead bytes (e.g., A1, A2, B1, D1—D3, etc.) are generated internally based on the system frame pulse (SYS\_FP) received from the FPGA logic. All streams operate byte-wide at 77.76 MHz in all modes. The TOH processor operates from 25 MHz to 77.76 MHz and supports the following TOH signals: A1 and A2 insertion and optional corruption; H1, H2, and H3 pass transparently; BIP-8 parity calculation (after scrambling) and B1 byte insertion and optional corruption (before scrambling); optional K1 and K2 insert; optional S1/M0 insert; optional E1/F1/E2 insert; optional section

data communication channel (DCC, D1—D3) and line data communication channel (DCC, D4—D12) insertion (for intercard communications channel); scrambling of outgoing data stream with optional scrambler disabling; and optional stream disabling.

When the ORT4622 is used in nonnetworking applications as a generic high-speed backplane data mover, the TOH serial ports are unused or can be used for slow-speed off-channel communication between devices.

Data received on the parallel bus is optionally scrambled and transferred to LVDS outputs.

### Byte Ordering Information

The core supports quad STS-12 mode of operation on the input/output ports. STS-48 is also supported when received in quad STS-12 format. When operating in quad STS-12 mode, each of the independent byte streams carries an entire STS-12 within it. Figure 4 reveals the byte ordering of the individual STS-12 streams and for STS-48 operation. Note that the recovered data will always continue to be in the same order as transmitted.

12	9	6	3	11	8	5	2	10	7	4	1	→ STS-12 A
24	21	18	15	23	20	17	14	22	19	16	13	→ STS-12 B
36	33	30	27	35	32	29	26	34	31	28	25	→ STS-12 C
48	45	42	39	47	44	41	38	46	43	40	37	→ STS-12 D

STS-48 IN QUAD STS-12 FORMAT

1, 12	1, 9	1, 6	1, 3	1, 11	1, 8	1, 5	1, 2	1, 10	1, 7	1, 4	1, 1	→ STS-12 A
2, 12	2, 9	2, 6	2, 3	2, 11	2, 8	2, 5	2, 2	2, 10	2, 7	2, 4	2, 1	→ STS-12 B
3, 12	3, 9	3, 6	3, 3	3, 11	3, 8	3, 5	3, 2	3, 10	3, 7	3, 4	3, 1	→ STS-12 C
4, 12	4, 9	4, 6	4, 3	4, 11	4, 8	4, 5	4, 2	4, 10	4, 7	4, 4	4, 1	→ STS-12 D

QUAD STS-12

5-8574 (F)

Figure 4. Byte Ordering of Input/Output Interface in STS-12 Mode

## Backplane Transceiver Core Detailed Description (continued)

### Transport Overhead for In Band Communication

The TOH byte can be used for In Band configuration, service, and management since it is carried along the same channel as data. In ORT4622, In Band signaling can be efficiently utilized, since the total cost of overhead is only 3.3%.

### Transport Overhead Insertion (Serial Link)

The TOH serial links are used to insert TOH bytes into the transmit data. The transmit TOH data and TOH\_CLK\_EN get retimed by TOH\_CLK in order to meet setup and hold specifications of the device.

The retimed TOH data is shifted into a 288-bit (36-byte by 8-bit) shift register and then multiplexed as an 8-bit bus to be inserted into the byte-wide data stream. Insertion from these serial links or pass-through of TOH from the byte-wide data is under software control.

### Transport Overhead Byte Ordering (FPGA to Backplane)

In the transparent mode, SPE and TOH data received on parallel input bus is transferred, unaltered, to the serial LVDS output. However, B1 byte of STS#1 is always replaced with a new calculated value (the 11 bytes following B1 are replaced with all zeros). Also, A1 and A2 bytes of all STS-1s are always regenerated. TOH serial port is not used in the transparent mode of operation.

In the TOH insert mode, SPE bytes are transferred, unaltered, from the input parallel bus to the serial LVDS output. On the other hand, TOH bytes are received from the serial input port and are inserted in the STS-12 frame before being sent to the LVDS output. Although all TOH bytes from the 12 STS-1s are transferred into the device from each serial port, not all of them get inserted in the frame. There are three hard-coded exceptions to the TOH byte insertion:

- Framing bytes (A1/A2 of all STS-1s) are not inserted from the serial input bus. Instead, they can always be regenerated.
- Parity byte (B1 of STS#1) is not inserted from the serial input bus. Instead, it is always recalculated (the 11 bytes following B1 are replaced with all zeros).
- Pointer bytes (H1/H2/H3 of all STS-1s) are not inserted from the serial input bus. Instead, they always flow transparently from parallel input to LVDS output.

In addition to the above hard-coded exceptions, the source of some TOH bytes can be further controlled by software. When configured to be in pass-through mode, the specific bytes must flow transparently from the parallel input. Note that blocks of 12 STS-1 bytes forming an STS-12 are controlled as a whole. There are 15 software controls per channel, as listed below:

- Source of K1 and K2 bytes of the 12 STS-1s (24 bytes) is specified by a control bit (per channel control).
- Source of S1 and M0 bytes of the 12 STS-1s (24 bytes) is specified by a control bit (per channel control).
- Source of E1, F1, E2 bytes of the STS-1s (36 bytes) is specified by a control bit (per channel control).
- Source of D1 bytes of the STS-1s (12 bytes) is specified by a control bit (per channel control).
- Source of D2 bytes of the 12 STS-1s (12 bytes) is specified by a control bit (per channel control).
- Source of D3 bytes of the 12 STS-1s (12 bytes) is specified by a control bit (per channel control).
- Source of D4 bytes of the 12 STS-1s (12 bytes) is specified by a control bit (per channel control).
- Source of D5 bytes of the 12 STS-1s (12 bytes) is specified by a control bit (per channel control).
- Source of D6 bytes of the 12 STS-1s (12 bytes) is specified by a control bit (per channel control).
- Source of D7 bytes of the 12 STS-1s (12 bytes) is specified by a control bit (per channel control).
- Source of D8 bytes of the 12 STS-1s (12 bytes) is specified by a control bit (per channel control).
- Source of D9 bytes of the 12 STS-1s (12 bytes) is specified by a control bit (per channel control).
- Source of D10 bytes of the 12 STS-1s (12 bytes) is specified by a control bit (per channel control).
- Source of D11 bytes of the 12 STS-1s (12 bytes) is specified by a control bit (per channel control).
- Source of D12 bytes of the 12 STS-1s (12 bytes) is specified by a control bit (per channel control).

TOH reconstruction is dependent on the transmitter mode of operation. In the transparent mode of operation, TOH bytes on LVDS output are as shown in Table 3.



## Backplane Transceiver Core Detailed Description (continued)

**Table 3. Transmitter TOH on LVDS Output (Transparent Mode)**

A1	A1	A1	A1	A1	A1	A1	A1	A1	A1	A1	A1	A2	A2	A2	A2	A2	A2	A2	A2	A2	A2																					
B1	0	0	0	0	0	0	0	0	0	0	0																															

	Regenerated bytes.
	Transparent bytes from parallel input port.

In the TOH Insert mode of operation, TOH bytes on LVDS output are shown in the following Table. This also shows the order in which data is transferred to the serial TOH interface, starting with the most significant bit of the first A1 byte. The first bit of the first byte is replaced by an even parity check bit over all TOH bytes from the previous TOH frame.

**Table 4. Transmitter TOH on LVDS Output (TOH Insert Mode)**

A1	A1	A1	A1	A1	A1	A1	A1	A1	A1	A1	A1	A2	A2	A2	A2	A2	A2	A2	A2	A2	A2																				
B1	0	0	0	0	0	0	0	0	0	0	0	E1	E1	E1	E1	E1	E1	E1	E1	E1	E1	F1	F1	F1	F1	F1	F1	F1	F1	F1	F1	F1	F1	F1	F1	F1	F1	F1	F1	F1	
D1	D1	D1	D1	D1	D1	D1	D1	D1	D1	D1	D1	D2	D2	D2	D2	D2	D2	D2	D2	D2	D2	D2	D3	D3	D3	D3	D3	D3	D3	D3	D3	D3	D3	D3	D3	D3	D3	D3	D3	D3	D3
H1	H1	H1	H1	H1	H1	H1	H1	H1	H1	H1	H1	H2	H2	H2	H2	H2	H2	H2	H2	H2	H2	H2	H3	H3	H3	H3	H3	H3	H3	H3	H3	H3	H3	H3	H3	H3	H3	H3	H3	H3	H3
												K1	K1	K1	K1	K1	K1	K1	K1	K1	K1	K1	K2	K2	K2	K2	K2	K2	K2	K2	K2	K2	K2	K2	K2	K2	K2	K2	K2	K2	
D4	D4	D4	D4	D4	D4	D4	D4	D4	D4	D4	D4	D5	D5	D5	D5	D5	D5	D5	D5	D5	D5	D5	D6	D6	D6	D6	D6	D6	D6	D6	D6	D6	D6	D6	D6	D6	D6	D6	D6	D6	D6
D7	D7	D7	D7	D7	D7	D7	D7	D7	D7	D7	D7	D8	D8	D8	D8	D8	D8	D8	D8	D8	D8	D8	D9	D9	D9	D9	D9	D9	D9	D9	D9	D9	D9	D9	D9	D9	D9	D9	D9	D9	D9
D10	D10	D10	D10	D10	D10	D10	D10	D10	D10	D10	D10	D11	D11	D11	D11	D11	D11	D11	D11	D11	D11	D11	D12	D12	D12	D12	D12	D12	D12	D12	D12	D12	D12	D12	D12	D12	D12	D12	D12	D12	D12
S1	S1	S1	S1	S1	S1	S1	S1	S1	S1	S1	S1	M0	M0	M0	M0	M0	M0	M0	M0	M0	M0	M0	E2	E2	E2	E2	E2	E2	E2	E2	E2	E2	E2	E2	E2	E2	E2	E2	E2	E2	

	Regenerated bytes.
	Inserted or transparent bytes. Blocks of 12 STS-1 bytes are controlled as a whole. There are 15 controls/channel: K1/K2, S1/M0, E1/F1/E2, D1, D2, D3, D4, D5, D6, D7, D8, D9, D10, D11, D12.
	Transparent bytes (from parallel input port).
	Inserted bytes from TOH serial input port.

## Backplane Transceiver Core Detailed Description (continued)

### A1/A2 Frame Insert and Testing

The A1 and A2 bytes provide a special framing pattern that indicates where a STS-1 begins in a bit stream. All 12 A1 bytes of each STS-12 are set to 0xF6, and all 12 A2 bytes of the STS-12 are set to 0x28 when not overridden with a user-specified value for testing.

A1/A2 testing (corruption) is controlled per stream by the A1/A2 error insert register. When A1/A2 corruption detection is set for a particular stream, the A1/A2 values in the corrupted A1/A2 value registers are sent for the number of frames defined in the corrupted A1/A2 frame count register. When the corrupted A1/A2 frame count register is set to zero, A1/A2 corruption will continue until the A1/A2 error insert register is cleared.

On a per-device basis, the A1 and A2 byte values are set, as well as the number of frames of corruption. Then, to insert the specified A1/A2 values, each channel has an enable register. When the enable register is set, the A1/A2 values are corrupted for the number specified in the number of frames to corrupt. To insert errors again, the per-channel fault insert register must be cleared, and set again. Only the last A1 and the first A2 are corrupted.

### B1 Calculation and Insertion

A bit interleaved parity –8 (BIP-8) error check set for even parity over all the bits of an STS-1 frame. B1 is defined for the first STS-1 in an STS-N only. The B1 calculation block computes a BIP-8 code, using even parity over all bits of the previous STS-12 frame after scrambling and is inserted in the B1 byte of the current STS-12 frame before scrambling. Per-bit B1 corruption is controlled by the force BIP-8 corruption register (register address 0F). For any bit set in this register, the corresponding bit in the calculated BIP-8 is inverted before insertion into the B1 byte position. Each stream has an independent fault insert register that enables the inversion of the B1 bytes. B1 bytes in all other STS-1s in the stream are filled with zeros.

### Stream Disable

When disabled via the appropriate bit in the stream enable register, the prescrambled data for a stream is set to all ones, feeding the HSI. The HSI macro is powered down on a per-stream basis, as are its LVDS outputs.

### Scrambler

The data stream is scrambled using a frame synchronous scrambler of sequence length 127. The scrambling function can be disabled by software. The generating polynomial for the scrambler is  $1 + x^6 + x^7$ . This polynomial conforms to the standard SONET STS-12 data format. The scrambler is reset to 1111111 on the first byte of the SPE (byte following the Z0 byte in the twelfth STS-1). That byte and all subsequent bytes to be scrambled are exclusive-ORed, with the output from the byte-wise scrambler. The scrambler runs continuously from that byte on throughout the remainder of the frame. A1, A2, J0, and Z0 bytes are not scrambled.

### System Frame Pulse and Line Frame Pulse

System frame pulse (for transmitter) and line frame pulse (for receiver) are generated in FPGA logic. A1/A2 framing is used on the link for locating the 8 kHz frame location. All frames sent to the FPGA are aligned to the FPGA frame pulse LINE\_FP which is provided by the FPGA to the STM macro. All frames sent from the FPGA to the STM will be aligned to the frame pulse SYS\_FP that is supplied to the STM macro. In either directions, system frame pulse and line frame pulse are active for one system clock cycle, indicating the location of A1 byte of STS#1. They are common to all four channels.

## Backplane Transceiver Core Detailed Description (continued)

### STM Receiver (Backplane -> FPGA)

The ORT4622 has four receiving channels that can be treated as one STS-48 stream, or treated as independent channels. Incoming data is received through LVDS serial ports at the data rate of 622 Mb/s. The receiver can handle the data streams with frame offsets of up to  $\pm 12$  bytes which would be due to timing skews between cards and along backplane traces. The received data streams are processed in the HSI and the STM, and then passed through the CIC boundary to the FPGA logic.

### Framer Block

The framer block, in Figure 5, takes byte-wide data from the HSI, and outputs a byte-aligned, byte-wide data stream and 8 kHz sync pulse. The framer algorithm determines the out-of-frame/in-frame status of the incoming data and will cause interrupts on both an errored frame and an out-of-frame (OOF) state. The framer detects the A1/A2 framing pattern and generates the 8 kHz frame pulse. When the framer detects OOF, it will generate an interrupt. Also, the framer detects an errored frame and increments an A1/A2 frame error counter. The counter can be monitored by a processor to compile performance status on the quality of the backplane.

Because the ORT4622 is intended for use between it and another ORT4622 or other devices via a backplane, there is only one errored frame state. Thus after two transitions are missed, the state machine goes into the OOF state and there is no severely errored frame (SEF) or loss-of-frame (LOF) indication.

### B1 Calculate and Descramble (Backplane -> FPGA)

Each Rx block receives byte-wide scrambled 77.76 MHz data and a frame sync from the framer. Since each HSI is independently clocked, the Rx block operates on individual streams. Timing signals required to locate overhead bytes to be extracted are generated internally based on the frame sync. The Rx block produces byte-wide (optionally) descrambled data and an output frame sync for the alignment FIFO block.

The B1 calculation block computes a BIP-8 (Bit Interleaved Parity 8-bits) code, using even parity over all bits of the previous STS-12 frame before descrambling; this value is checked against the B1 byte of the current frame after descrambling. A per-stream B1 error counter is incremented for each bit that is in error. The error counter may be read via the CPU interface.

**Descrambling.** The streams are descrambled using a frame synchronous descrambler of sequence length 127 with a generating polynomial of  $1 + x^6 + x^7$ . The A1/A2 framing bytes, the section trace byte (J0) and the growth bytes (Z0) are not descrambled. The descrambling function can be disabled by software.

**AIS-L Insertion.** Alarm indication signal (AIS) is a continuous stream of unframed 1s sent to alert downstream equipment that the near-end terminal has failed, lost its signal source, or has been temporarily taken out of service. If enabled in the AIS\_L force register, AIS-L is inserted into the received frame by writing all ones for all bytes of the descrambled stream.

**AIS-L Insertion on Out-of-Frame.** If enabled via a register, AIS-L is inserted into the received frame by writing all ones for all bytes of the descrambled stream when the framer indicates that an out-of-frame condition exists.

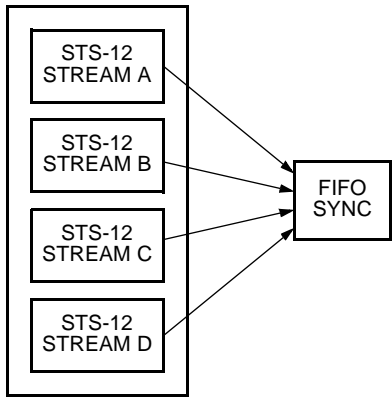
### Internal Parity Generation

Even parity is generated on all data bytes and is routed in parallel with the data to be checked before the protection switch MUX at the parallel output.

### FIFO Alignment (Backplane -> FPGA)

The alignment FIFO allows the transfer of all data to the system clock. The FIFO sync block (Figure 5) allows the system to be configured to allow the frame alignment of multiple slightly varying data streams. This optional alignment ensures that matching STS-12 streams will arrive at the FPGA end in perfect data sync. The frame alignment is configurable to allow for the possibility of fully independent (i.e., total frame misalignment) STS-12s.

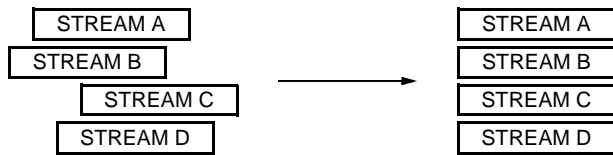
**Backplane Transceiver Core Detailed Description** (continued)



5-8577 (F)

**Figure 5. Interconnect of Streams for FIFO Alignment**

The incoming data from the clock and data recovery can be separated into four STS-12 channels (A, B, C, and D). These streams can be frame aligned in the patterns shown in Figure 6.



5-8575 (F)

**Figure 6. Alignment of Four STS-12 Streams**

There is also a provision to allow certain streams to be disabled (i.e., not producing interrupts or affecting synchronization). These streams can be enabled at a later time without disrupting other streams.

The FIFO block consists of a 24 by 10-bit FIFO per link. This FIFO is used to align up to  $\pm 154.3$  ns of interlink skew and to transfer to the system clock. The FIFO sync circuit takes metastable hardened frame pulses from the write control blocks and produces sync signals that indicate when the read control blocks should begin reading from the first FIFO location. On top of the sync signals, this block produces an error indicator which indicates that the signals to be aligned are too far apart for alignment (i.e., greater than 18 clocks apart). Sync and error signals are sent to read control block for

alignment. The read control block is synched only once on start-up; any further synchronization is software controlled. The action of resynching a read control block will always cause loss of data. A register allows the read control block to be resynched.

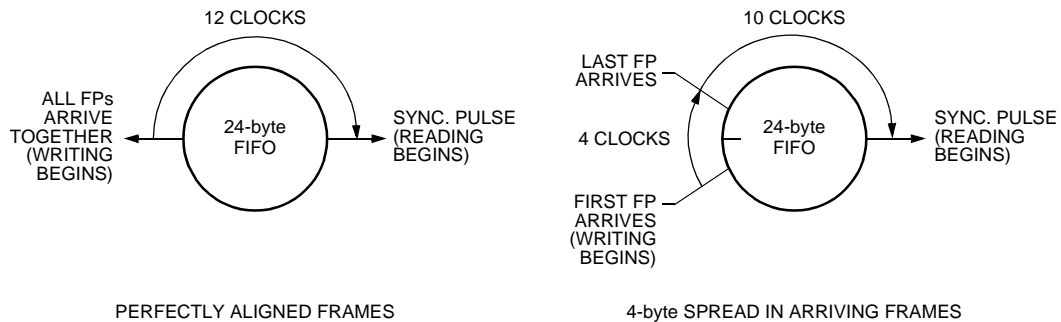
**Link Alignment.** The general operation of the link alignment algorithm is to wait 12 clocks (i.e., half the FIFO) from the arriving frame pulse and then signal the read control block to begin reading. For perfectly aligned frame pulses across the links, it is simply a matter of counting down 12 and then signaling the read control block.

The algorithm down counts by one until all of the frame pulses have arrived and then by two when they are all present. For example (Figure 7), if all pulses arrive together, then alignment algorithm would count 24 (12 clocks); if, however, the arriving pulses are spread out over four clocks, then it would count one for the first four pulses and then two per clock afterward, which gives a total of 14 clocks between first frame pulse and the first read. This puts the center of arriving frame pulses at the halfway point in the buffer. This is the extent of the algorithm, and it has no facility for actively correcting problems once they occur.

The write control block receives byte-wide data at 77.76 MHz and a frame pulse two clocks before the first A1 byte of the STS-12 frame. It generates the write address for the FIFO block. The first A1 in every STS-12 stream is written in the same location (address 0) in the FIFO. Also, a frame bit is passed through the FIFO along with the first byte before the first A1 of the STS-12. The read control block synchronizes the reading of the FIFO for streams that are to be aligned. Reading begins when the FIFO sync signals that all of the applicable A1s and the appropriate margin have been written to the FIFO. All of the read blocks to be synchronized begin reading at the same time and same location in memory (address 0).

The alignment algorithm takes the difference between read address and write address to indicate the relative clock alignments between STS-12 streams. If this depth indication exceeds certain limits (12 clocks), then an interrupt is given to the microprocessor (alignment overflow). Each STS-12 stream can be realigned by software if it gets too far out of line (this would cause a loss of data). For background applications that have less than 154.3 ns of interlink skew, misalignment will not occur.

Backplane Transceiver Core Detailed Description (continued)



5-8584 (F)

Figure 7. Examples of Link Alignment

Pointer Mover Block (Backplane -> FPGA)

The pointer mover maps incoming frames to the line framing that is supplied by the FPGA logic. The K1/K2 bytes and H1-SS bits are also passed through to the pointer generator so that the FPGA can receive them. The pointer mover handles both concatenations inside the STS-12, and to other STS-12s inside the core.

The pointer mover block can correctly process any length of concatenation of STS frames (multiple of three) as long as it begins on an STS-3 boundary (i.e., STS-1 number one, four, seven, ten, etc.) and is contained within the smaller of STS-3, 12, or 48. See details in Table 5.

Table 5. Valid Starting Positions for an STS-Mc

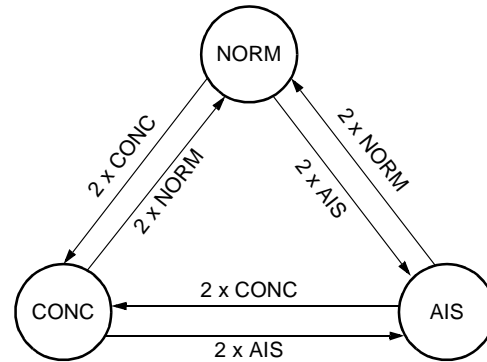
STS-1 Number	STS-3cSPE	STS-6cSPE	STS-9cSPE	STS-12cSPE	STS-15cSPE	STS-18c to STS-48c SPEs
1	YES	YES	YES	YES	YES	YES
4	YES	YES	YES	NO	YES	—
7	YES	YES	NO	NO	YES	—
10	YES	NO	NO	NO	YES	—
13	YES	YES	YES	YES	YES	—
16	YES	YES	YES	NO	YES	—
19	YES	YES	NO	NO	YES	—
22	YES	NO	NO	NO	YES	—
25	YES	YES	YES	YES	YES	—
28	YES	YES	YES	NO	YES	—
31	YES	YES	NO	NO	YES	—
34	YES	NO	NO	NO	YES	NO
37	YES	YES	YES	YES	NO	NO
40	YES	YES	YES	NO	NO	NO
43	YES	YES	NO	NO	NO	NO
46	YES	NO	NO	NO	NO	NO

Note: YES = STS-Mc SPE can start in that STS-1.  
 NO = STS-Mc SPE cannot start in that STS-1.  
 — = YES or NO, depending on the particular value of M.

**Backplane Transceiver Core Detailed Description** (continued)

**Pointer Interpreter State Machine.** The pointer interpreter's highest priority is to maintain accurate data flow (i.e., valid SPE only) into the elastic store. This will ensure that any errors in the pointer value will be corrected by a standard, fully SONET compliant, pointer interpreter without any data hits. This means that error checking for increment, decrement, and new data flag (NDF) (i.e., eight of 10) is maintained in order to ensure accurate data flow. A single valid pointer (i.e., 0—782) that differs from the current pointer will be ignored. Two consecutive incoming valid pointers that differ from the current pointer will cause a reset of the J1 location to the latest pointer value (the generator will then produce an NDF). This block is designed to handle single bit errors without affecting data flow or changing state.

The pointer interpreter has only three states (NORM, AIS, and CONC). NORM state will begin whenever two consecutive NORM pointers are received. If two consecutive NORM pointers are received that both differ from the current offset, then the current offset will be reset to the last received NORM pointer. When the pointer interpreter changes its offset, it causes the pointer generator to receive a J1 value in a new position. When the pointer generator gets an unexpected J1, it resets its offset value to the new location and declares an NDF. The interpreter is only looking for two consecutive pointers that are different from the current value. These two consecutive NORM pointers do not have to have the same value. For example, if the current pointer is ten and a NORM pointer with offset of 15 and a second NORM pointer with offset of 25 are received, then the interpreter will change the current pointer to 25. The receipt of two consecutive CONC pointers causes CONC state to be entered. Once in this state, offset values from the head of the concatenation chain are used to determine the location of the STS SPE for each STS in the chain. Two consecutive AIS pointers cause the AIS state to occur. Any two consecutive normal or concatenation pointers will end this AIS state. This state will cause the data leaving the pointer generator to be overwritten with 0xFF.



5-8589 (F)

**Figure 8. Pointer Mover State Machine**

**Pointer Generator.** The pointer generator maps the corresponding bytes into their appropriate location in the outgoing byte stream. The generator also creates offset pointers based on the location of the J1 byte as indicated by the pointer interpreter. The generator will signal NDFs when the interpreter signals that it is coming out of AIS state. The pointer generator resets the pointer value and generates NDF every time a byte marked J1 is read from the elastic store that doesn't match the previous offset.

Increment and decrement signals from the pointer interpreter are latched once per frame on either the F1 or E2 byte times (depending on collisions); this ensures constant values during the H1 through H3 times. The choice of which byte time to do the latching on is made once when the relative frame phases (i.e., received and system) are determined. This latch point is then stable unless the relative framing changes and the received H byte times collide with the system F1 or E2 times, in which case the latch point would be switched to the collision-free byte time.

There is no restriction on how many or how often increments and decrements are processed. Any received increment or decrement is immediately passed to the generator for implementation regardless of when the last pointer adjustment was made. The responsibility for meeting the SONET criteria for maximum frequency of pointer adjustments is left to an upstream pointer processor.

When the interpreter signals an AIS state, the generator will immediately begin sending out 0xFF in place of data and H1, H2, H3. This will continue until the interpreter returns to NORM or CONC (pointer mover state machine) states and a J1 byte is received.

## Backplane Transceiver Core Detailed Description (continued)

### Transport Overhead Extraction

Transport overhead is extracted from the receive data stream by the TOH extract block. The incoming data gets loaded into a 36-byte shift register on the system clock domain. This, in turn, is clocked onto the TOH clock domain at the start of the SPE time, where it can be clocked out.

During the SPE time, the receiver TOH frame pulse is generated, RX\_TOH\_FP, which indicates the start of the row of 36 TOH bytes. This pulse, along with the receive TOH clock enable, RX\_TOH\_CK\_EN, as well as the TOH data, are all launched on the rising edge of the TOH clock TOH\_CLK.

### TOH Byte Ordering (Backplane to FPGA)

The TOH processor is responsible for dropping all TOH

bytes of each channel through one of four corresponding serial ports. The four TOH serial ports are synchronized to the TOH clock (the same clock that is being used by the serial ports on the transmitter side). This free-running TOH clock is provided to the core by external circuitry and operates at a minimum frequency of 25 MHz and a maximum frequency of 77.76 MHz. Data is transferred over serial links in a bursty fashion as controlled by the Rx TOH clock enable signal, which is generated by the ASIC and common to the four channels. All TOH bytes of STS-12 streams are transferred over the appropriate serial link in the same order in which they appear in a standard STS-12 frame. Data transfer should be performed on a row-by-row basis such that internal data buffering needs is kept to a minimum. Data transfers on the serial links will be synchronized relative to the Rx TOH frame signal.

### Receiver TOH Reconstruction

Receiver TOH reconstruction on output parallel bus is as shown in the following table.

Table 6. Receiver TOH (Output Parallel Bus)

A1	A1	A1	A1	A1	A1	A1	A1	A1	A1	A1	A1	A1	A2	A2	A2	A2	A2	A2	A2	A2	A2	A2	0	0	0	0	0	0	0	0	0	0	0	0	0	0	0	0
0	0	0	0	0	0	0	0	0	0	0	0	0	0	0	0	0	0	0	0	0	0	0	0	0	0	0	0	0	0	0	0	0	0	0	0	0	0	0
0	0	0	0	0	0	0	0	0	0	0	0	0	0	0	0	0	0	0	0	0	0	0	0	0	0	0	0	0	0	0	0	0	0	0	0	0	0	0
H1	H1	H1	H1	H1	H1	H1	H1	H1	H1	H1	H1	H1	H2	H2	H2	H2	H2	H2	H2	H2	H2	H2	H2	H3	H3	H3	H3	H3	H3	H3	H3	H3	H3	H3	H3	H3	H3	
0	0	0	0	0	0	0	0	0	0	0	0	0	K1	0	0	0	0	0	0	0	0	0	0	K2	0	0	0	0	0	0	0	0	0	0	0	0	0	
0	0	0	0	0	0	0	0	0	0	0	0	0	0	0	0	0	0	0	0	0	0	0	0	0	0	0	0	0	0	0	0	0	0	0	0	0	0	0
0	0	0	0	0	0	0	0	0	0	0	0	0	0	0	0	0	0	0	0	0	0	0	0	0	0	0	0	0	0	0	0	0	0	0	0	0	0	0
0	0	0	0	0	0	0	0	0	0	0	0	0	0	0	0	0	0	0	0	0	0	0	0	0	0	0	0	0	0	0	0	0	0	0	0	0	0	0
0	0	0	0	0	0	0	0	0	0	0	0	0	0	0	0	0	0	0	0	0	0	0	0	0	0	0	0	0	0	0	0	0	0	0	0	0	0	0
Regenerated bytes.																																						
Regenerated bytes (under pointer generator control-SS bits must be transparent-AIS-P must be supported).																																						
Bytes taken from Elastic Store Buffer, on negative stuff opportunity-else, forced to all zeros.																																						
Transparent or all zeros (K1/K2 are either taken from K1/K2 buffer or forced to all zeros-soft, control). In transparent mode, AIS-L must be supported.																																						
All zero bytes.																																						

On the TOH serial port, all TOH bytes are dropped as received on the LVDS input (MSB first). The only exception is the most significant bit of byte A1 of STS#1, which is replaced with an even parity bit. This parity bit is calculated over the previous TOH frame. Also, on AIS-L (either resulting from LOF or forced through software), all TOH bits are forced to all ones with proper parity (parity we automatically ends up being set to 1 on AIS-L).

### Special TOH Byte Functions

**K1 and K2 Handling.** The K1 and K2 bytes are used in automatic protection switch (APS) applications. K1 and K2 bytes can be optionally passed through the pointer mover under software control, or can be set to zero with the other TOH bytes.

**A1 and A2 Handling.** As discussed previously, the A1 and A2 bytes are used for a framing header. A1 and A2 bytes are always regenerated and set to hexadecimal F6 and 28, respectively.

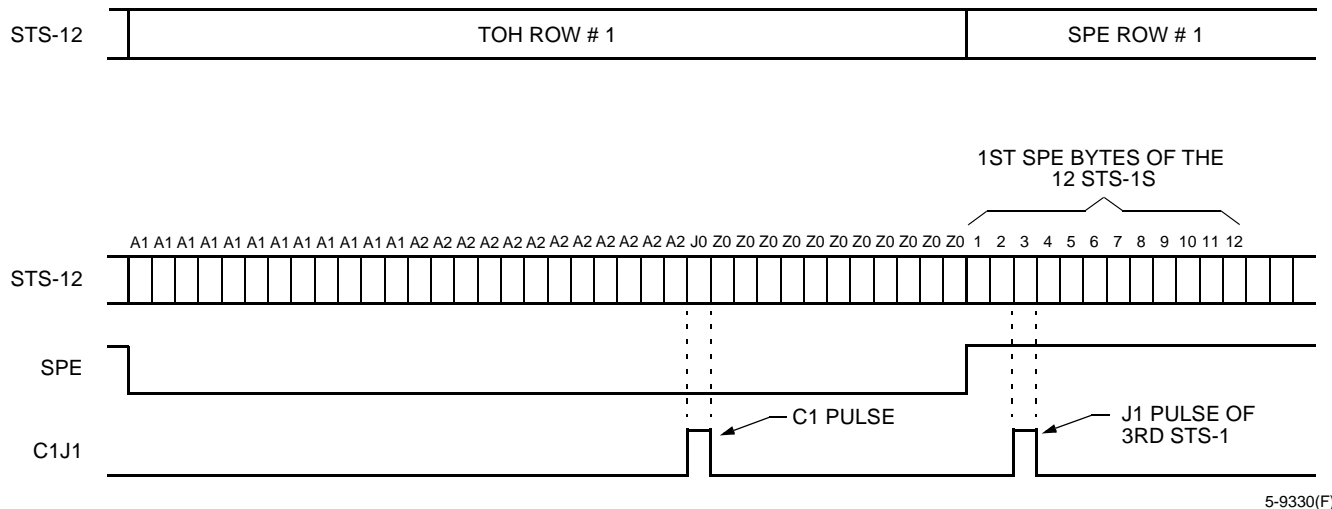
**Backplane Transceiver Core Detailed Description** (continued)

**SPE and C1J1 Outputs.** These two signals for each channel are passed to the FPGA logic to allow a pointer processor or other function to extract payload without interpreting the pointers. For the ORT4622, each frame has 12 STS-1s. In the SPE region, there are 12 J1 pulses for each STS-1s. There is one C1(J0, new SONET specifications use J0 instead of C1 as section trace to identify each STS-1 in an STS-N) pulse in the TOH area for one frame. Thus, there is a total of 12 J1 pulses and one C1(J0) pulse per frame. C1(J0) pulse is coincident with the J0 of STS1 #1. In each frame, the SPE flag is active when the data stream is in SPE area. SPE behavior is dependent on pointer movement and concatenation. Note that in the TOH area, H3 can also carry valid data. When valid SPE data is carried in this H3 slot, SPE is high in this particular TOH time slot. In the SPE region, if there is no valid data during any SPE column, the SPE signal will be set to low. SPE allow a pointer processor to extract payload without interpreting the pointers. The SPE and C1J1 functionality are described in Table 7. For generic data operation, valid data is available when SPE is 1 and the C1J1 signal is ignored.

**Table 7. SPE and C1J1 Functionality**

SPE	C1J1	Description
0	0	TOH information excluding C1(J0) of STS1 #1.
0	1	Position of C1(J0) of STS1 #1 (one per frame). Typically used to provide a unique link identification (256 possible unique links) to help ensure cards are connected into the backplane correctly or cables are connected correctly.
1	0	SPE information excluding the 12 J1 bytes.
1	1	Position of the 12 J1 bytes.

Note: The following rules are observed for generating SPE and C1J1 signals: on occurrence of AIS-P on any of the STS-1, there is no corresponding J1 pulse. In case of concatenated payloads (up to STS48c), only the head STS-1 of the group has an associated J1 pulse. C1J1 signal tracks any pointer movements. During a negative justification event, SPE is set high during the H3 byte to indicate that payload data is available. During a positive justification event, SPE is set low during the positive stuff opportunity byte to indicate that payload data is not available.



5-9330(F)

Notes: C1J1 signal behavior shown in this figure is just for illustration purposes: C1 pulse position must always be as shown; however, position of J1 pulses vary based on path overhead location of each STS-1 within the STS-12 stream.

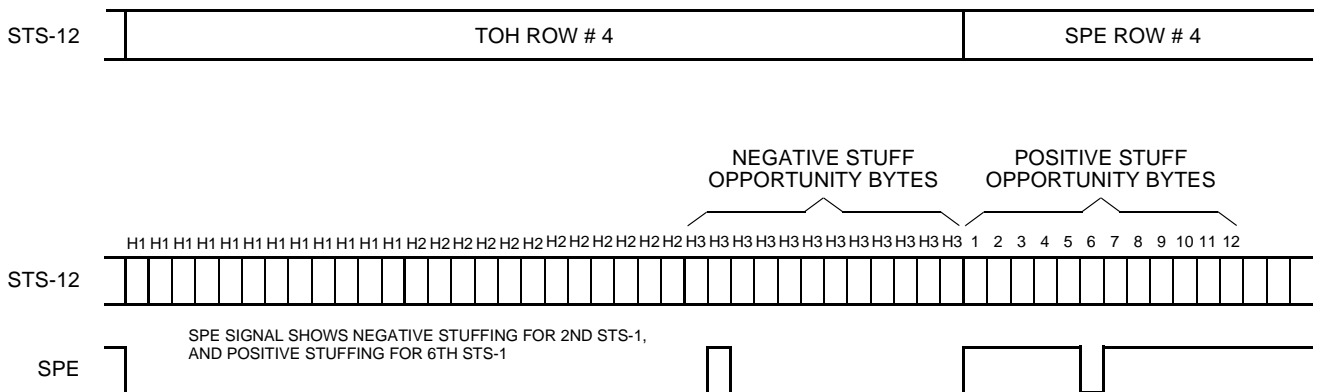
C1J1 signal must always be active during C1(J0) time slot of STS#1.

C1J1 signal must also be active during the twelve J1 time slots. However, C1J1 must not be active for any STS-1 for which AIS-P is generated. Also, on concatenated payloads, only the head of the group must have a J1 pulse.

**Figure 9. SPE and C1J1 Functionality**



## Backplane Transceiver Core Detailed Description (continued)



5-9331

Notes: SPE signal behavior shown in this figure is just for illustration purposes: SPE behavior is dependent on pointer movements and concatenation.

SPE signal must be high during negative stuff opportunity byte time slots (H3) for which valid data is carried (negative stuffing).

SPE signal must be low during positive stuff opportunity byte time slots for which there is no valid data (positive stuffing).

**Figure 10. SPE Stuff Bytes**

### Powerdown Mode

Powerdown mode will be entered when the corresponding channel is disabled. Channels can be independently enabled or disabled under software control.

Parallel data bus output enable and TOH serial data output enable signals are made available to the FPGA logic. The HSI macrocell's corresponding channel is also powered down. The device will power up with all four channels in powerdown mode.

In addition, an LVDS\_EN pin has been added to control the LVDS pins during boundary scan. During functional operation, enabling/disabling LVDS buffers is controlled by software registers. When in boundary scan mode, LVDS\_EN controls the enabling/disabling of LVDS buffers instead of software registers. This LVDS\_EN pin should be pulled high on the board for functional operation, and pulled low during boundary scan.

### Redundancy and Protection Switching

The ORT4622 supports STS-12/STS-48 redundancy by either software or hardware control for protection switching applications. For the transmitter mode, no additional functionality is required for redundant operation. For receiving data, STS-12 data redundancy can be implemented within the same device, while STS-48 and above data stream requires a pair of ORT4622 devices to support redundancy.

In STS-12 mode, the channel A receive data bus port is used for both channel A and channel B. Similarly, the channel C receive data bus port is used for both channel C and channel D. Channel B and channel D become the redundant channels. The channel B and channel D receive data bus ports are unused. Soft registers provide independent control to the protection switching MUXes for both parallel data ports and serial TOH data ports. When direct hardware control for protection switching is needed, external protection switch pins are available for channels A and B, and also channels C and D. The external protection switch pins only support parallel SPE/TOH data protection switching, but not the serial TOH data.

In STS-48 mode, two independent devices are required to work and protect for redundancy. Parallel and serial port output pins on the FPGA side should be 3-stated as the basis for supporting redundancy. The existing local bus enable signals at the CIC can be used as 3-state controls for FPGA data bus if needed, which can be easily accessed by software control. Users can also create their own protection switch 3-state enable signals either in FPGA logic or external to the device, depending on the specific application.

## Memory Map

### Definition of Register Types

There are six structural register elements: sreg, creg, preg, iareg, isreg, and iereg. There are no mixed registers in the chip. This means that all bits of a particular register (particular address) are structurally the same.

**Table 8. Structural Register Elements**

Element	Register	Description
sreg	Status Register	A status register is read only, and, as the name implies, is used to convey the status information of a particular element or function of the ORT4622 core. The reset value of an sreg is really the reset value of the particular element or function that is being read. In some cases, an sreg is really a fixed value. An example of which is the fixed ID and revision registers.
creg	Control Register	A control register is read and writable memory element inside core control. The value of a creg will always be the value written to it. Events inside the ORT4622 core cannot effect creg value. The only exception is a soft reset, in which case the creg will return to its default value. The control register have default values as defined in the default value column of Table 9.
preg	Pulse Register	Each element, or bit, of a pulse register is a control or event signal that is asserted and then deasserted when a value of one is written to it. This means that each bit is always of value 0 until it is written to, upon which it is pulsed to the value of one and then returned to a value of 0. A pulse register will always have a read value of 0.
iareg	Interrupt Alarm Register	Each bit of an interrupt alarm register is an event latch. When a particular event is produced in the ORT4622 core, its occurrence is latched by its associated iareg bit. To clear a particular iareg bit, a value of one must be written to it. In the ORT4622 core, all isreg reset values are 0.
isreg	Interrupt Status Register	Each bit of an interrupt status register is physically the logical-OR function. It is a consolidation of lower level interrupt alarms and/or isreg bits from other registers. A direct result of the fact that each bit of the isreg is a logical-OR function means that it will have a read value of one if any of the consolidation signals are of value one, and will be of value 0 if and only if all consolidation signals are of value 0. In the ORT4622 core, all isreg default values are 0.
ereg	Interrupt Enable Register	Each bit of a status register or alarm register has an associated enable bit. If this bit is set to value one, then the event is allowed to propagate to the next higher level of consolidation. If this bit is set to zero, then the associated iareg or isreg bit can still be asserted but an alarm will not propagate to the next higher level. An interrupt enable bit is an interrupt mask bit when it is set to value 0.

### Registers Access and General Description

The memory map comprises three address blocks:

- Generic register block: ID, revision, scratch pad, lock, FIFO alignment, and reset registers.
- Device register block: control and status bits, common to the four channels.
- Channel register blocks: each of the four channels have an address block. The four address blocks have the exact same structure with a constant address offset between channel register blocks.

All registers are write-protected by the lock register, except for the scratch pad register. The lock register is a 16-bit read/write register. Write access is given to registers only when the key value 0xA001 is present in the lock register. An error flag will be set upon detecting a write access when write permission is denied. The default value is 0x0000.

After powerup reset or soft reset, unused register bits will be read as zeros. Unused address locations are also read as zeros. Write only register bits will be read as zeros. The detailed information on register access and function are described on the tables, memory map, and memory map bit description.

## Memory Map (continued)

### Memory Map Overview

Table 9. Memory Map

ADDR [6:0]	Reg. Type	DB7	DB6	DB5	DB4	DB3	DB2	DB1	DB0	Default Value (hex)	Notes
<b>Generic Register Block</b>											
00	sreg	fixed rev [7:0]								01	1
01	sreg	fixed ID LSB [7:0]								01	
02	sreg	fixed ID MSB [7:0]								A0	
03	creg	scratch pad [7:0]								00	
04	creg	lockreg MSB [7:0]								00	
05	creg	lockreg LSB [7:0]								00	
06	preg	—	—	—	—	—	—	FIFO alignment command	global reset command	NA	
<b>Device Register Block</b>											
08	creg	—	—	—	Rx TOH frame and Rx TOH clock enable control	ext prot sw en	ext prot sw function	STS-48 STS-12 sel (unused in ORT4622)	LVDS lpbk control	00	2
09	creg	—	—	—	—	parallel port output MUX select for ch C	parallel port output MUX select for ch A	serial port output MUX select for ch C	serial port output MUX select for ch A	0F	
0a	creg	—	—	—	FIFO aligner threshold value (min) [4:0]				02		
0b	creg	—	—	—	FIFO aligner threshold value (max) [4:0]				15		
0c	creg	—	scrambler/descrambler control	input/output parallel bus parity control	line loop-back control	number of consecutive A1/A2 errors to generate [3:0]				60	3
0d	creg	A1 error insert value [7:0]								00	
0e	creg	A2 error insert value [7:0]								00	
0f	creg	transmitter B1 error insert mask [7:0]								00	

Notes:

1. Generic register block.
2. Device register block-Rx.
3. Device register block-Tx.

Memory Map (continued)

Table 9. Memory Map

ADDR [6:0]	Reg. Type	DB7	DB6	DB5	DB4	DB3	DB2	DB1	DB0	Default Value (hex)	Notes
<b>Device Register Block (continued)</b>											
10	isreg	—	—	—	per device int	ch D interrupt	ch C interrupt	ch B interrupt	ch A interrupt	00	4
11	iereg	—	—	—	enable/mask register [4:0]				00		
12	iareg	—	—	—	—	—	—	write to locked register error flag	frame offset error flag	00	
13	iereg	—	—	—	—	—	—	enable/mask register [1:0]		00	
<b>Channel Register Block</b>											
20, 38, 50, 68 *	creg	Protection switching 3-state control of TOH data output	Protection switching 3-state control of parallel data output	channel enable/disable control	parallel output bus parity err ins cmd	Rx K1/K2 source select	TOH serial output port par err ins cmd	force ais-l control	Rx behavior in LOF	01	5
21, 39, 51, 69	creg	Tx mode of operation	Tx E1 F1 E2 source select	Tx S1 M0 source select	Tx K1/K2 source select	Tx D12 source select	Tx D11 source select	Tx D10 source select	Tx D9 source select	00	6
22, 3a, 52, 6a	creg	Tx D8 source select	Tx D7 source select	Tx D6 source select	Tx D5 source select	Tx D4 source select	Tx D3 source select	Tx D2 source select	Tx D1 source select	00	
23, 3b, 53, 6b	creg	—	—	—	—	—	—	B1 error insert command	A1/A2 error ins command	00	
24, 3c, 54, 6c	sreg	—	—	—	—	Concatination 12	Concatination 9	Concatination 6	Concatination 3	NA	7
25, 3d, 55, 6d	sreg	Concatination 11	Concatination 8	Concatination 5	Concatination 2	Concatination 10	Concatination 7	Concatination 4	Concatination 1	NA	

- Notes:
1. Generic register block.
  2. Device register block-Rx.
  3. Device register block-Tx.
  4. Top-level interrupts.
  5. Rx control.
  6. Tx control signals.
  7. Per STS#1 cos flag.

\* ADDR values delimited by a comma indicate the address for each of four channels, from channel A to D. For example, the register to Tx control signals has addresses of 20, 38, 50, and 68. This indicates that channel A Tx control signals are at address 20, control B Tx control signals are at address

Memory Map (continued)

Table 9. Memory Map

ADDR [6:0]	Reg. Type	DB7	DB6	DB5	DB4	DB3	DB2	DB1	DB0	Default Value (hex)	Notes
<b>Channel Register Block</b> (continued)											
26, 3e, 56, 6e	isreg	—	—	—	—	—	elastic store overflow flag	ais-p flag	per STS-12 alarm flag	00	8
27, 3f, 57, 6f	iereg	—	—	—	—	—	enable/mask register [2:0]			00	
28, 40, 58, 70	iareg	—	—	TOH serial input port parity error flag	input parallel bus parity error flag	LVDS link B1 parity error flag	LOF flag	Receiver internal path parity error flag	FIFO aligner threshold error flag	00	9
29, 41, 59, 71	iereg	—	—	enable/mask register [5:0]						00	
2a, 42, 5a, 72	iareg	—	—	—	—	AIS interrupt flags 12	AIS interrupt flag 9	AIS interrupt flag 6	AIS interrupt flags 3	00	10
2b, 43, 5b, 73	iareg	AIS interrupt flag 11	AIS interrupt flag 8	AIS interrupt flag 5	AIS interrupt flag 2	AIS interrupt flag 10	AIS interrupt flag 7	AIS interrupt flag 4	AIS interrupt flag 1	00	
2c, 44, 5c, 74	iereg	—	—	—	—	enable/mask AIS interrupt flag 12	enable/mask AIS interrupt flag 9	enable/mask AIS interrupt flag 6	enable/mask AIS interrupt flag 3	00	
2d, 45, 5d, 75	iereg	enable/mask AIS interrupt flag 11	enable/mask AIS interrupt flag 8	enable/mask AIS interrupt flag 5	enable/mask AIS interrupt flag 2	enable/mask AIS interrupt flag 10	enable/mask AIS interrupt flag 7	enable/mask AIS interrupt flag 4	enable/mask AIS interrupt flag 1	00	
2e, 46, 5e, 76	iareg	—	—	—	—	ES overflow flag 12	ES overflow flag 9	ES overflow flag 6	ES overflow flag 3	00	

Notes:

1. Generic register block.
2. Device register block-Rx.
3. Device register block-Tx.
4. Top-level interrupts.
5. Rx control.
6. Tx control signals.
7. Per STS#1 cos flag.
8. Per channel interrupt.
9. Per STS-12 interrupt flags.
10. Per STS-1 interrupt flags.

**Memory Map** (continued)

**Table 9. Memory Map**

ADDR [6:0]	Reg. Type	DB7	DB6	DB5	DB4	DB3	DB2	DB1	DB0	Default Value (hex)	Notes
<b>Channel Register Block</b> (continued)											
2f, 47, 5f, 77	iareg	ES overflow flag 11	ES overflow flag 8	ES overflow flag 5	ES overflow flag 2	ES overflow flag 10	ES overflow flag 7	ES overflow flag 4	ES overflow flag 1	00	10
30, 48, 60, 78	iereg	—	—	—	—	enable/mask ES overflow flags 12	enable/mask ES overflow flag 9	enable/mask ES overflow flags 6	enable/mask ES overflow flags 3	00	
31, 49, 61, 79	iereg	enable/mask ES overflow flag 11	enable/mask ES overflow flag 8	enable/mask ES overflow flag 5	enable/mask ES overflow flag 2	enable/mask ES overflow flag 10	enable/mask ES overflow flag 7	enable/mask ES overflow flag 4	enable/mask ES overflow flag 1	00	
32, 4a, 62, 7a	counter	overflow	LVDS link B1 parity error counter							00	11
33, 4b, 63, 7b	counter	overflow	LOF counter							00	
34, 4c, 64, 7c	counter	overflow	A1/A2 frame error counter							00	

- Notes:
1. Generic register block.
  2. Device register block-Rx.
  3. Device register block-Tx.
  4. Top-level interrupts.
  5. Rx control.
  6. Tx control signals.
  7. Per STS#1 cos flag.
  8. Per channel interrupt.
  9. Per STS-12 interrupt flags.
  10. Per STS-1 interrupt flags.
  11. Binning.

Memory Map (continued)

Table 10. Memory Map Bit Descriptions

Bit/Register Name(s)	Bit/ Register Location (hex)	Register Type	Default Value (hex)	Description		
<b>Generic Register Block</b>						
fixed rev [7:0] fixed ID LSB [7:0] fixed ID MSB [7:0]	00 [7:0] 01 [7:0] 02 [7:0]	sreg	01 01 A0	—		
scratch pad [7:0]	03 [7:0]	creg	00	The scratch pad has no function and is not used anywhere in the ORT4622 core. However, this register can be written to and read from.		
lockreg MSB [7:0] lockreg LSB [7:0]	04 [7:0] 05 [7:0]	creg	00 00	In order to write to registers in memory locations 06 to 7F, lockreg MSB and lockreg LSB must be respectively set to the values of A0 and 01. If the MSB and LSB lockreg values are not set to {A0, 01}, then any values written to the registers in memory locations 06 to 7F will be ignored. After reset (both hard and soft), the ORT4622 core is in a write locked mode. The ORT4622 core needs to be unlocked before it can be written to. Also note that the scratch pad register (03) can always be written to since it is unaffected by write lock mode.		
FIFO alignment command global reset command	06 [0] 06 [1]	preg	NA	The FIFO alignment and global reset commands are both accessed via the pulse register in memory address 06. The FIFO alignment command is used to frame align the outputs of the four receive stm stream FIFOs. The global reset command is a soft (software initiated) reset. Nevertheless, the global reset command will have the exact reset effect as a hard (RST_N pin) reset.		
<b>Device Register Block</b>						
LVDS loopback control	08 [0]	creg	0	0	No loopback.	
				1	LVDS loopback, transmit to receive on.	
STS48 STS12 sel	08 [1]	creg	0	This control signal is untracked in the ORT4622 core. It is a scratch bit, and its value has no effect on the ORT4622 core.		
ext prot sw en ext prot sw func	08 [3:2]	creg	0	ext prot sw en	ext prot sw func	Switching control master.
				0	—	MUX is controlled by software (one control bit per MUX). Output buffer 3-state signals are controlled by software (one control bit per channel).
				1	0	MUX on parallel output bus of channel A is controlled by Prot_Switch A/B pin (0-> channel A, 1-> channel B). MUX on parallel output bus of channel C is controlled by Prot_Switch C/D pin (0 -> channel C, 1-> channel D). Output buffer 3-state signals are controlled by software (one control bit per channel).
				1	1	MUX is controlled by software (one control bit per MUX). Output buffer 3-state signals on parallel output bus of channels A and B are controlled by Prot_Switch A/B pin (0-> buffers active, 1-> hi-z). Output buffer 3-state signals on parallel output bus of channels C and D are controlled by Prot_Switch C/D pin (0 -> buffers active, 1-> hi-z).

Memory Map (continued)

Table 10. Memory Map Bit Descriptions

Bit/Register Name(s)	Bit/ Register Location (hex)	Register Type	Default Value (hex)	Description
<b>Device Register Block (continued)</b>				
Rx TOH frame and Rx TOH clock enable	08 [4]	creg	0	0   toh_ck_fp_en = 0, can be used to 3-state rx_toh_ck_en and rx_toh_fp signals.
				1   Functional Mode.
serial output port A MUX select	09 [0]	creg	1	<b>TOH Output MUX Select for Port A</b>
				0   TOH output port A is multiplexed to channel B.
serial output port A MUX select	09 [1]	creg	1	<b>TOH Output MUX Select for Port C</b>
				0   TOH output port C is multiplexed to channel D.
parallel output port A MUX select	09 [2]	creg	1	<b>Parallel Port Output MUX Select for Port A</b>
				0   Parallel output data bus port A is multiplexed to channel B.
parallel output port A MUX select	09 [3]	creg	1	<b>Parallel Port Output MUX Select for Port C</b>
				0   Parallel output data bus port C is multiplexed to channel D.
FIFO aligner threshold value (min) [4:0]	0A [4:0]	creg	02	These are the minimum and maximum thresholds values for the per channel receive direction alignment FIFOs. If and when the minimum or maximum threshold value is violated by a particular channel, then the interrupt event FIFO aligner threshold error will be generated for that channel and latched as a FIFO aligner threshold error flag in the respective per STS-12 interrupt alarm register. The allowable range for minimum threshold values is 0 to 23. The allowable range for maximum threshold values is 0 to 22. Note that the minimal and maximum FIFO aligner threshold values apply to all four channels.
FIFO aligner threshold value (max) [4:0]	0B [4:0]	creg	15	
number of consecutive A1/A2 errors to generate [3:0]	0C [3:0]	creg	00	These three-per-device control signals are used in conjunction with the per-channel A1/A2 error insert command control bits to force A1/A2 errors in the transmit direction. If a particular channel's A1/A2 error insert command control bit is set to the value one, then the A1 and A2 error insert values will be inserted into that channels respective A1 and A2 bytes. The number of consecutive frames to be corrupted is determined by the number of consecutive A1, A2 errors to generate[3:0] control bits. The error insertion is based on a rising edge detector. As such, the control must be set to value 0 before trying to initiate a second A1/A2 corruption.
A1 error insert value [7:0]	0D [7:0]	creg	00	
A2 error insert value [7:0]	0E [7:0]	creg	00	
line loopback control	0C [4]	creg	0	0   No loopback.
				1   Receive to transmit loopback on FPGA side.
input/output parallel bus parity control	0C [5]	creg	0	0   Even parity.
				1   Odd parity.



Memory Map (continued)

Table 10. Memory Map Bit Descriptions

Bit/Register Name(s)	Bit/ Register Location (hex)	Register Type	Default Value (hex)	Description	
<b>Device Register Block (continued)</b>					
scrambler/ descrambler control	0C [6]	creg	1	0	No receive direction descramble/transmit direction scramble.
				1	In receive direction, descramble channel after SONET frame recovery. In transmit direction scramble data just before parallel-to-serial conversion.
transmit B1 error insert mask [7:0]	0F [7:0]	creg	00	0	No error insertion.
				1	Invert corresponding bit in B1 byte.
channel A int channel B int channel C int channel D int per device int enable/mask register [4:0]	10 [0] 10 [1] 10 [2] 10 [3] 10 [4] 11 [4:0]	creg creg creg creg creg iereg	0 0 0 0 0 0	<b>Consolidation Interrupts</b>	
				0	No interrupt. Mask interrupt in enable/mask register.
				1	Interrupt. Enable interrupt in enable/mask register.
				If in the receive direction the phase offset between any two channels exceeds 17 bytes, then a frame offset error event will be issued. This condition is continuously monitored.	
				If the ORT4622 core memory map has not been unlocked (by writing A1 00 to the lock registers), and any address other than the lockreg registers or scratch pad register is written to, then a write to locked register event will be generated.	
frame offset error flag	12 [0]	iareg	0		
write to locked register error flag	12 [1]	iareg	0		
enable/mask register [1:0]	13 [1:0]	iereg	0		
<b>Channel Register Block (Channel A, Channel B, Channel C, Channel D)</b>					
Rx behavior in LOF	20, 38 50, 68 [0]	—	1	<b>Receive Behavior in LOF</b>	
				0	When receive direction OOF occurs, do not insert AIS-L.
				1	When receive direction OOF occurs, insert AIS-L.
Force AIS-L control	20, 38, 50, 68 [1]	—	0	<b>Force AIS-L Control</b>	
				0	Do not force AIS-L.
				1	Force AIS-L.
TOH serial output port par err ins cmd	20, 38, 50, 68 [2]	—	0	0	Do not insert a parity error.
				1	Insert parity error in parity bit of receive TOH serial output for as long as this bit is set.
Rx K1/K2 source select	20, 38, 50, 68 [3]	—	0	0	Set receive direction K1/K2 bytes to 0.
				1	Pass receive direction K1/K2 though pointer mover.
parallel output bus par- ity err ins cmd	20, 38, 50, 68 [4]	—	0	0	Do not insert parity error.
				1	Insert parity error in the parity bit of receive direction parallel output bus for as long as this bit is set.

Memory Map (continued)

Table 10. Memory Map Bit Descriptions

Bit/Register Name(s)	Bit/ Register Location (hex)	Register Type	Default Value (hex)	Description	
<b>Channel Register Block (Channel A, Channel B, Channel C, Channel D) (continued)</b>					
channel enable/disable control	20, 38, 50, 68 [5]	creg	0	<b>Channel Enable/Disable Control</b>	
				0	Powerdown channel A/B/C/D CDR and LVDS I/O can be used with data_rx_en to 3-state output buses.
				1	Functional mode.
Hi-z control of parallel output bus.	20, 38, 50, 68 [6]	creg	0	To be used as 3-state control for protection switching on the FPGA data output.	
Hi-z control of TOH data output.	20 [7]	creg	0	To be used as 3-state control for TOH data output. Only channel A enable signal is brought out.	
Tx mode of operation	21, 39, 51, 69 [7]	creg	0	<b>Transmit Mode of Operation</b>	
				0	Insert TOH from serial ports.
				1	Pass through all TOH.
Tx E1 F2 E2 source select Tx S1 M0 source select Tx K1 K2 source select Tx D12—D9 source select Tx D8—D1 source select	21, 39, 51, 69 [6] 21, 39, 51, 69 [5] 21, 39, 51, 69 [4] 21, 39, 51, 69 [3:0] 22, 3a, 52, 6a [7:0]	creg creg creg creg creg	0 0 0 4'h0 8'h00	<b>Other Registers</b>	
				0	Insert TOH from serial ports.
				1	Pass through that particular TOH byte.
				0	Do not insert error.*
				1	Insert error for number of frames in register hex 0C.*
A1/A2 error insert command	23, 3b, 53, 6b [0]	creg	0	0	Do not insert error.*
				1	Insert error for number of frames in register hex 0C.*
B1 error insert command	23, 3b, 53, 6b [1]	creg	0	0	Do not insert error.†
				1	Insert error for one frame in B1 bits defined by register hex 0F.†
concatindication 12, 9, 6, 3 concatindication 11, 8, 5, 2, 10, 7, 4, 1	24, 3c, 54, 6c [3:0] 25, 3d, 55, 6d [7:0]	sreg sreg	0 0	The value one in any bit location indicates that STS# is in CONCAT mode. A 0 indicates that the STS is not in CONCAT mode, or is the head of a concat group.	
per STS-12 alarm flag AIS-P flag elastic store overflow flag enable/mask register [2:0]	26, 3e, 56, 6e [0] 26, 3e, 56, 6e [1] 26, 3e, 56, 6e [2] 27, 3f, 57, 6f [2:0]	isreg isreg isreg iereg	0 0 0 3'b000	These flag register bits per STS-12 alarm flag, AIS-P flag, and elastic store overflow flag are the per-channel interrupt status (consolidation) register.	
FIFO aligner threshold error flag receiver internal path parity error flag LOF flag LVDS link B1 parity error flag input parallel bus parity error flag TOH serial input port parity error flag enable/mask register [5:0]	28, 40, 58, 70 [0] 28, 40, 58, 70 [1] 28, 40, 58, 70 [2] 28, 40, 58, 70 [3] 28, 40, 58, 70 [4] 28, 40, 58, 70 [5] 29, 41, 59, 71 [5:0]	iareg iareg iareg iareg iareg iareg iareg	0 0 0 0 0 0 6'h00	These are per the STS-12 alarm flags with the corresponding enable/mask register.	
AIS interrupt flags 12, 9, 6, 3 AIS interrupt flags 11, 8, 5, 2, 10, 7, 4, 1 enable/mask register 12, 9, 6, 3 enable/mask register 11, 8, 5, 2, 10, 7, 4, 1	2a, 42, 5a, 72 [3:0] 2b, 43, 5b, 73 [7:0] 2c, 44, 5c, 74 [3:0] 2d, 45, 5d, 75 [7:0]	iareg iareg iereg iereg	4'h0 8'h00 4'h0 8'h00	These are the AIS-P alarm flags with the corresponding enable/mask register.	

\* The error insertion is based on a rising edge detector. As such, the control must be set to value 0 before trying to initiate a second A1/A2 corruption.

† The error insertion is based on a rising edge detector. As such, the control must be set to value 0 before trying to initiate a second B1 corruption.

## Memory Map (continued)

Table 10. Memory Map Bit Descriptions

Bit/Register Name(s)	Bit/ Register Location (hex)	Register Type	Default Value (hex)	Description
<b>Channel Register Block (Channel A, Channel B, Channel C, Channel D) (continued)</b>				
ES overflow flags 12, 9, 6, 3 ES overflow flags 11, 8, 5, 2, 10, 7, 4, 1 enable/mask register 12, 9, 6, 3 enable/mask register 11, 8, 5, 2, 10, 7, 4, 1	2e, 46, 5e, 76 [7:0] 2f, 47, 5f, 77 [3:0] 30, 48, 60, 78 [7:0] 31, 49, 61, 79 [7:0]	—	4'h0 8'h00 4'h0 8'h00	These are the elastic store overflow alarm flags.
LVDS link B1 parity error counter	32, 4a, 62, 7a [7:0]	counter	8'h00	7-bit count + overflow-reset on read.
LOF counter	33, 4b, 63, 7b [7:0]	counter	8'h00	7-bit count + overflow-reset on read.
A1/A2 frame error counter	34, 4c, 64, 7c [7:0]	counter	8'h00	7-bit count + overflow-reset on read.

\* The error insertion is based on a rising edge detector. As such, the control must be set to value 0 before trying to initiate a second A1/A2 corruption.

† The error insertion is based on a rising edge detector. As such, the control must be set to value 0 before trying to initiate a second B1 corruption.

## Powerup Sequencing for ORT4622 Device

ORCA Series ORT4622 device uses two power supplies: one to power the device I/Os and the ASIC core (VDD), which is set to 3.3 V for 3.3 V operation and 5 V tolerance on input pins, and another supply for the internal FPGA logic (VDD2), which is set to 2.5 V. It is understood that many users will derive the 2.5 V core logic supply from a 3.3 V power supply, so the following recommendations are made for the powerup sequence of the supplies and allowable delays between power supplies reaching stable voltages. In general, both the 3.3 V and the 2.5 V supplies should ramp-up and become stable as close together in time as possible. There is no delay requirement if the VDD2

(2.5 V) supply becomes stable prior to the VDD (3.3 V) supply. There is a delay requirement imposed if the VDD supply becomes stable prior to the VDD2 supply. The requirement is that the VDD2 (2.5 V) supply transition from 0 V to 2.3 V within 15.7 ms if the VDD (3.3 V) supply is already stable at a minimum of 3.0 V. If the VDD supply has not yet reached 3.0 V when the VDD2 supply has reached 2.3 V, then the requirement is that the VDD2 supply reach a minimum of 2.3 V within 15.7 ms of when the VDD supply reaches 3.0 V. If the chosen power supplies cannot meet this delay requirement, it is always possible to hold off configuration of the FPGA by asserting INIT or PRGM until the VDD2 supply has reached 2.3 V. This process eliminates any power supply sequencing issues.

## **FPGA Configuration Data Format**

The *ORCA* Foundry development system interfaces with front-end design entry tools and provides tools to produce a fully configured FPSC. This section discusses using the *ORCA* Foundry development system to generate configuration RAM data and then provides the details of the configuration frame format.

### **Using *ORCA* Foundry to Generate Configuration RAM Data**

The configuration data bit stream defines the embedded core configuration, the FPGA logic functionality, and the I/O configuration and interconnection. The data bit stream is generated by the *ORCA* Foundry development tools. The bit stream created by the bit stream generation tool is a series of 1s and 0s used to write the FPSC configuration RAM. It can be loaded into the FPSC using one of the configuration modes discussed elsewhere in this data sheet.

For FPSCs, the bit stream is prepared in two separate steps in the design flow. The configuration options of the embedded core are specified using *ORCA* ORT4622 Design Kit Software at the beginning of the design process. This offers the designer a specific configuration to simulate and design the FPGA logic to. Upon completion of the design, the bit stream generator combines the embedded core options and the FPGA configuration into a single bit stream for download into the FPSC.

## **FPGA Configuration Data Frame**

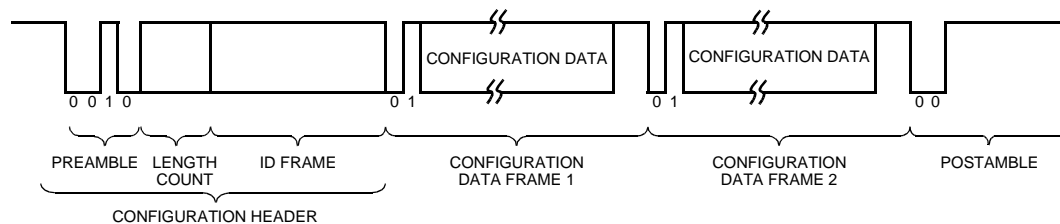
Configuration data can be presented to the FPSC in two frame formats: autoincrement and explicit. A detailed description of the frame formats is shown in Figure 11, Figure 12, and Table 11. The two modes are similar except that autoincrement mode uses assumed address incrementation to reduce the bit stream size, and explicit mode requires an address for each data frame. In both cases, the header frame begins with a series of 1s and a preamble of 0010, followed by a 24-bit length count field representing the total number of configuration clocks needed to complete the loading of the FPSC.

The mandatory ID frame contains data used to determine if the bit stream is being loaded to the correct type of *ORCA* device (i.e., a bit stream generated for an ORT4622 is being sent to an ORT4622). Error checking is always enabled for Series 3+ devices, through the use of an 8-bit checksum. One bit in the ID frame also selects between the autoincrement and explicit address modes for this load of the configuration data.

A configuration data frame follows the ID frame. A data frame starts with a one-start bit pair and ends with enough one-stop bits to reach a byte boundary. If using autoincrement configuration mode, subsequent data frames can follow. If using explicit mode, one or more address frames must follow each data frame, telling the FPSC at what addresses the preceding data frame is to be stored (each data frame can be sent to multiple addresses).

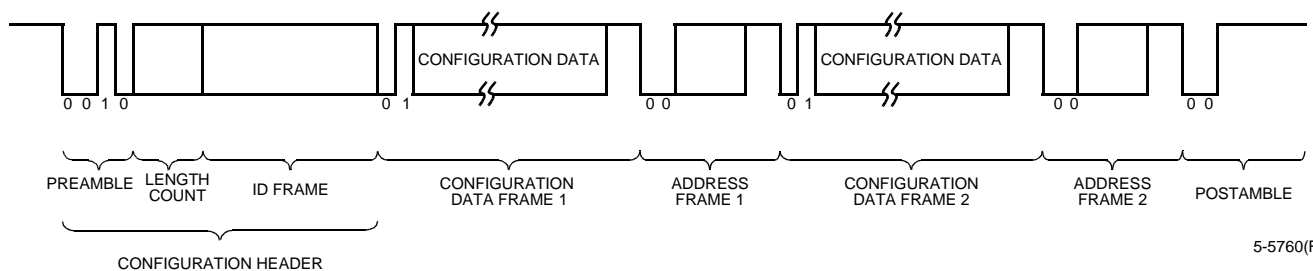
Following all data and address frames is the postamble. The format of the postamble is the same as an address frame with the highest possible address value with the checksum set to all ones.

FPGA Configuration Data Format (continued)



5-5759(F)

Figure 11. Serial Configuration Data Format—Autoincrement Mode



5-5760(F)

Figure 12. Serial Configuration Data Format—Explicit Mode

Table 11. Configuration Frame Format and Contents

<b>Header</b>	11110010	Preamble.
	24-bit Length Count	Configuration frame length.
	11111111	Trailing header—8 bits.
<b>ID Frame</b>	0101 1111 1111 1111	ID frame header.
	Configuration Mode	00 = autoincrement, 01 = explicit.
	Reserved [41:0]	Reserved bits set to 0.
	ID	20-bit part ID.
	Checksum	8-bit checksum.
	11111111	Eight stop bits (high) to separate frames.
<b>Configuration Data Frame</b> (repeated for each data frame)	01	Data frame header.
	Data Bits	Number of data bits depends upon device.
	Alignment Bits = 0	String of 0 bits added to bit stream to make frame header, plus data bits reach a byte boundary.
	Checksum	8-bit checksum.
	11111111	Eight stop bits (high) to separate frames.
<b>Configuration Address Frame</b>	00	Address frame header.
	14 Address Bits	14-bit address of location to start data storage.
	Checksum	8-bit checksum.
	11111111	Eight stop bits (high) to separate frames.
<b>Postamble</b>	00	Postamble header.
	11111111 111111	Dummy address.
	1111111111111111	16 stop bits.

Note: For slave parallel mode, the byte containing the preamble must be 11110010. The number of leading header dummy bits must be  $(n * 8) + 4$ , where  $n$  is any nonnegative integer and the number of trailing dummy bits must be  $(n * 8)$ , where  $n$  is any positive integer. The number of stop bits/frame for slave parallel mode must be  $(x * 8)$ , where  $x$  is a positive integer. Note also that the bit stream generator tool supplies a bit stream that is compatible with all configuration modes, including slave parallel mode.

## FPGA Configuration Data Format

(continued)

### Bit Stream Error Checking

There are three different types of bit stream error checking performed in the ORCA Series 3+ FPSCs: ID frame, frame alignment, and CRC checking.

The ID data frame is sent to a dedicated location in the FPSC. This ID frame contains a unique code for the device for which it was generated. This device code is compared to the internal code of the FPSC. Any differences are flagged as an ID error. This frame is automatically created by the bit stream generation program in ORCA Foundry.

Each data and address frame in the FPSC begins with a frame start pair of bits and ends with eight stop bits set to 1. If any of the previous stop bits were a 0 when a frame start pair is encountered, it is flagged as a frame alignment error.

Error checking is also done on the FPSC for each frame by means of a checksum byte. If an error is found on evaluation of the checksum byte, then a checksum/parity error is flagged.

When any of the three possible errors occur, the FPSC is forced into an idle state, forcing  $\overline{\text{INIT}}$  low. The FPSC will remain in this state until either the  $\overline{\text{RESET}}$  or  $\overline{\text{PRGM}}$  pins are asserted.

If using either of the MPI modes to configure the FPSC, the specific type of bit stream error is written to one of the MPI registers by the FPGA configuration logic. The  $\overline{\text{PGRM}}$  bit of the MPI control register can also be used to reset out of the error condition and restart configuration.

## FPGA Configuration Modes

There are eight methods for configuring the FPSC. Six of the configuration modes are selected on the M0, M1, and M2 input and are shown in Table 12. A fourth input, M3, is used to select the frequency of the internal oscillator, which is the source for CCLK in some configuration modes. The nominal frequencies of the internal oscillator are 1.25 MHz and 10 MHz. The 1.25 MHz frequency is selected when the M3 input is unconnected or driven to a high state.

Note that the Master parallel mode of configuration that is available in the ORCA Series 3 FPGAs is not available in the ORT4622.

More information on the general FPGA modes of configuration can be found in the ORCA Series 3 data sheet.

**Table 12. Configuration Modes**

M2	M1	M0	CCLK	Configuration Mode	Data
0	0	0	Output	Master Serial	Serial
0	0	1	Input	Slave Parallel	Parallel
0	1	0	Output	Microprocessor: <i>Motorola* PowerPC</i>	Parallel
0	1	1	Output	Microprocessor: <i>Intel† i960</i>	Parallel
1	0	0	Reserved		
1	0	1	Output	Async Peripheral	Parallel
1	1	0	Reserved		
1	1	1	Input	Slave Serial	Serial

\* *Motorola* is a registered trademark of Motorola, Inc.

† *Intel* is a registered trademark of Intel Corporation.

## Absolute Maximum Ratings

Stresses in excess of the absolute maximum ratings can cause permanent damage to the device. These are absolute stress ratings only. Functional operation of the device is not implied at these or any other conditions in excess of those given in the operations sections of this data sheet. Exposure to absolute maximum ratings for extended periods can adversely affect device reliability.

The ORCA Series 3+ FPSCs include circuitry designed to protect the chips from damaging substrate injection currents and to prevent accumulations of static charge. Nevertheless, conventional precautions should be observed during storage, handling, and use to avoid exposure to excessive electrical stress.

**Table 13. Absolute Maximum Ratings**

Parameter	Symbol	Min	Max	Unit
Storage Temperature	T <sub>stg</sub>	-65	150	°C
I/O Supply Voltage with Respect to Ground	V <sub>DD</sub>	—	4.2	V
Internal Supply Voltage	V <sub>DD2</sub>	—	3.2	
Input Signal with Respect to Ground				
CMOS I/O	—	-0.5	V <sub>DD</sub> + 0.3	V
5 V Tolerant I/O	—	-0.5	5.8	V
Signal Applied to High-impedance Output	—	-0.5	V <sub>DD</sub> + 0.3	V
Maximum Package Body Temperature	—	—	220	°C
Junction Temperature	T <sub>J</sub>	-40	125	°C

## Recommend Operating Conditions

**Table 14. Recommend Operating Conditions**

ORT4622		
Temperature Range (Ambient)	I/O Supply Voltage (V <sub>DD</sub> )	Internal Supply Voltage (V <sub>DD2</sub> )
0 °C to 70 °C	3.3 V ± 5%	2.5 V ± 5%

## Electrical Characteristics

**Table 15. General Electrical Characteristics**

ORT4622 Commercial:  $V_{DD} = 3.3 \text{ V} \pm 5\%$ ,  $V_{DD2} = 2.5 \text{ V} \pm 5\%$ ,  $0 \text{ }^\circ\text{C} < T_A < 70 \text{ }^\circ\text{C}$ .

Symbol	Parameter	Test Conditions	ORT4622		Unit
			Min	Max	
IDDSB	Standby Current	( $T_A = 25 \text{ }^\circ\text{C}$ , $V_{DD} = 3.3 \text{ V}$ , $V_{DD2} = 2.5 \text{ V}$ ) internal oscillator running, no output loads, inputs at $V_{DD}$ or GND (after configuration)	—	5.3	mA
IDDSB	Standby Current	( $T_A = 25 \text{ }^\circ\text{C}$ , $V_{DD} = 3.3 \text{ V}$ , $V_{DD2} = 2.5 \text{ V}$ ) internal oscillator stopped, no output loads, inputs at $V_{DD}$ or GND (after configuration)	—	1.4	mA
VDR	Data Retention Voltage	$T_A = 25 \text{ }^\circ\text{C}$	2.3	—	V
IPP	Powerup Current	Power supply current at approximately 1 V, within a recommended power supply ramp rate of 1 ms—200 ms	2.7	—	mA

**Table 16. Electrical Characteristics for FPGA I/O**

ORT4622 Commercial:  $V_{DD} = 3.3 \text{ V} \pm 5\%$ ,  $V_{DD2} = 2.5 \text{ V} \pm 5\%$ ,  $0 \text{ }^\circ\text{C} < T_A < 70 \text{ }^\circ\text{C}$ .

Parameter	Symbol	Test Conditions	ORT4622		Unit
			Min	Max	
Input Voltage: High Low	$V_{IH}$ $V_{IL}$	Input configured as CMOS (clamped to $V_{DD}$ )	50% $V_{DD}$ GND – 0.5	$V_{DD} + 0.3$ 30% $V_{DD}$	V V
Input Voltage: High Low	$V_{IH}$ $V_{IL}$	Input configured as 5 V tolerant	50% $V_{DD}$ GND – 0.5	5.8 30% $V_{DD}$	V V
Output Voltage: High Low	$V_{OH}$ $V_{OL}$	$V_{DD} = \text{min}$ , $I_{OH} = 6 \text{ mA}$ or $3 \text{ mA}$ $V_{DD} = \text{min}$ , $I_{OL} = 12 \text{ mA}$ or $6 \text{ mA}$	2.4 —	— 0.4	V V
Input Leakage Current	IL	$V_{DD} = \text{max}$ , $V_{IN} = V_{SS}$ or $V_{DD}$	–10	10	$\mu\text{A}$
Input Capacitance	$C_{IN}$	( $T_A = 25 \text{ }^\circ\text{C}$ , $V_{DD} = 3.3 \text{ V}$ , $V_{DD2} = 2.5 \text{ V}$ ) test frequency = 1 MHz	—	8	pF
Output Capacitance	$C_{OUT}$	( $T_A = 25 \text{ }^\circ\text{C}$ , $V_{DD} = 3.3 \text{ V}$ , $V_{DD2} = 2.5 \text{ V}$ ) test frequency = 1 MHz	—	9	pF
DONE Pull-up Resistor*	$R_{DONE}$	—	100	—	$\text{k}\Omega$
M[3:0] Pull-up Resistors*	$R_M$	—	100	—	$\text{k}\Omega$
I/O Pad Static Pull-up Current*	IPU	( $V_{DD} = 3.6 \text{ V}$ , $V_{IN} = V_{SS}$ , $T_A = 0 \text{ }^\circ\text{C}$ )	14.4	50.9	$\mu\text{A}$
I/O Pad Static Pull-down Current	IPD	( $V_{DD} = 3.6 \text{ V}$ , $V_{IN} = V_{SS}$ , $T_A = 0 \text{ }^\circ\text{C}$ )	26	103	$\mu\text{A}$
I/O Pad Pull-up Resistor*	$R_{PU}$	$V_{DD} = \text{all}$ , $V_{IN} = V_{SS}$ , $T_A = 0 \text{ }^\circ\text{C}$	100	—	$\text{k}\Omega$
I/O Pad Pull-down Resistor	$R_{PD}$	$V_{DD} = \text{all}$ , $V_{IN} = V_{DD}$ , $T_A = 0 \text{ }^\circ\text{C}$	50	—	$\text{k}\Omega$

\* The pull-up resistor will externally pull the pin to a level 1.0 V below  $V_{DD}$ .



## Electrical Characteristics (continued)

Table 17. Electrical Characteristics for Embedded Core I/O Other than LVDS I/O

Symbol	Parameter	Min	Max	Unit
V <sub>IH</sub>	Input High Voltage (TTL input)	2.0	5.5	V
V <sub>IL</sub>	Input Low Voltages (TTL input)	—	0.8	V
V <sub>OH</sub>	Output High Voltage (TTL output)	2.4	—	V
V <sub>OL</sub>	Output Low Voltage (TTL output)	—	0.4	V

Note: All outputs are driving 35 pF, except CPU data bus pins which drive 100 pF. It is assumed that the TTL buffers from the standard-cell library can handle the 100 pF load.

## HSI Circuit Specifications

### Input Data

The 622 Mb/s scrambled input data stream must conform to SONET STS-12 and SDH STM-4 data format using either a PN7 or PN9 sequence. The PN7 characteristic is  $1 + x^6 + x^7$  and the PN9 characteristic is  $1 + x^4 + x^9$ . The ORT4622 supplies a default scrambler using the PN7 sequence. The longest allowable stream of nontransitional 622 Mb/s input data is 60 bits. This sequence should not occur more often than once per minute. An input signal phase change of no more than 100 ps is allowed over 200 ns time interval, which translates to a frequency change of 500 ppm. The signal eye opening must be greater than 0.4 Ulp-p (unit interval peak-to-peak), and the unit interval for 622 Mb/s is 1.6075 ns.

### Jitter Tolerance

The input jitter tolerance of the ORT4622 is shown in Table 18.

Table 18. Jitter Tolerance

Frequency	Ulp-p
250 kHz	0.6
25 kHz	6.0
2 kHz	60

### Generated Output Jitter

The generated output jitter is a maximum of 0.2 Ulp-p from 250 kHz to 5 MHz.

## PLL

PLL requires an external 10 kΩ pull-down resistor.

Table 19. PLL

Parameter	Min	Max	Unit
Loop Bandwidth	—	6	MHz
Jitter Peaking	—	2	dB
Powerup Reset Duration	10	—	μs
Lock Acquisition	—	1	ms

## Input Reference Clock

Table 20. Input Reference Clock

Parameter	Min	Max
Frequency Deviation	—	± 20 ppm
Frequency Change	—	500 ppm
Phase Change in 200 ns	—	100 ps

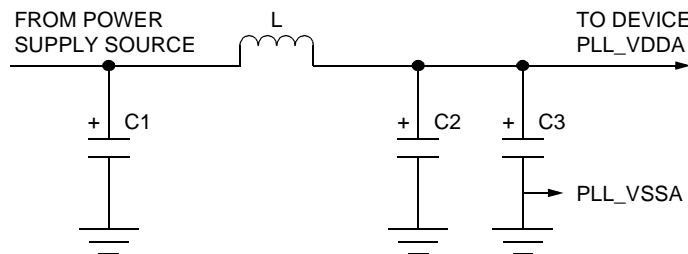
## HSI Circuit Specifications (continued)

### Power Supply Decoupling LC Circuit

The 622 MHz HSI macro contains both analog and digital circuitry. The data recovery function, for example, is implemented as primarily a digital function, but it relies on a conventional analog phase-locked loop to provide its 622 MHz reference frequency. The internal analog phase-locked loop contains a voltage-controlled oscillator. This circuit will be sensitive to digital noise generated from the rapid switching transients associated with internal logic gates and parasitic inductive elements. Generated noise that contains frequency components beyond the bandwidth of the internal phase-locked loop (about 3 MHz) will not be attenuated by the phase-locked loop and will impact bit error rate directly. Thus, separate power supply pins are provided for these critical analog circuit elements.

Additional power supply filtering in the form of a LC pi filter section will be used between the power supply source and these device pins as shown in Figure 13. The corner frequency of the LC filter is chosen based on the power supply switching frequency, which is between 100 kHz and 300 kHz in most applications.

Capacitors C1 and C2 are large electrolytic capacitors to provide the basic cutoff frequency of the LC filter. For example, the cutoff frequency of the combination of these elements might fall between 5 kHz and 50 kHz. Capacitor C3 is a smaller ceramic capacitor designed to provide a low-impedance path for a wide range of high-frequency signals at the analog power supply pins of the device. The physical location of capacitor C3 must be as close to the device lead as possible. Multiple instances of capacitors C3 can be used if necessary. The recommended filter for the HSI macro is shown below:  $L = 4.7 \mu\text{H}$ ,  $R_L = 1 \Omega$ ,  $C1 = 0.01 \mu\text{F}$ ,  $C2 = 0.01 \mu\text{F}$ ,  $C3 = 4.7 \mu\text{F}$ .



5-9344(F)

Figure 13. Sample Power Supply Filter Network for Analog HSI Power Supply Pins

## LVDS I/O

Table 21. LVDS Driver dc Data\*

Parameter	Symbol	Test Conditions	Min	Typ	Max	Unit
Driver Output Voltage High, $V_{OA}$ or $V_{OB}$	$V_{OH}$	$R_{LOAD} = 100 \Omega \pm 1\%$	—	—	1.475*	V
Driver Output Voltage Low, $V_{OA}$ or $V_{OB}$	$V_{OL}$	$R_{LOAD} = 100 \Omega \pm 1\%$	0.925*	—	—	V
Driver Output Differential Voltage $V_{OD} = (V_{OA} - V_{OB})$ (with External Reference Resistor)	$V_{OD}$	$R_{LOAD} = 100 \Omega \pm 1\%$	0.25	—	0.45*	V
Driver Output Offset Voltage $V_{OS} = (V_{OA} + V_{OB})/2$	$V_{OS}$	$R_{LOAD} = 100 \Omega \pm 1\%$	1.125*	—	1.275*	V
Output Impedance, Single Ended	$R_o$	$V_{CM} = 1.0 V$ and $1.4 V$	40	50	60	$\Omega$
$R_o$ Mismatch Between A and B	$\Delta R_o$	$V_{CM} = 1.0 V$ and $1.4 V$	—	—	10	%
Change in $ V_{OD} $ Between 0 and 1	—	$R_{LOAD} = 100 \Omega \pm 1\%$	—	—	25	mV
Change in $ V_{OS} $ Between 0 and 1	—	$R_{LOAD} = 100 \Omega \pm 1\%$	—	—	25	mV
Output Current	$I_{SA}, I_{SB}$	Driver shorted to ground	—	—	24	mA
Output Current	$I_{SAB}$	Drivers shorted together	—	—	12	mA
Power-off Output Leakage	$ x_a ,  x_b $	$V_{DD} = 0 V$ $V_{PAD}, V_{PADN} = 0 V - 3 V$	—	—	30	$\mu A$

\* External reference, REF10 = 1.0 V  $\pm$  3%, REF14 = 1.4 V  $\pm$  3%

Table 22. LVDS Driver ac Data

Parameter	Symbol	Test Conditions	Min	Max	Unit
$V_{OD}$ Fall Time, 80% to 20%	$T_{FALL}$	$Z_{LOAD} = 100 \Omega \pm 1\%$ $C_{PAD} = 3 pF, C_{PAD} = 3 pF$	100	200	ps
$V_{OD}$ Rise Time, 20% to 80%	$T_{RISE}$	$Z_{LOAD} = 100 \Omega \pm 1\%$ $C_{PAD} = 3 pF, C_{PAD} = 3 pF$	100	200	ps
Differential Skew $ t_{pHLA} - t_{pLHB} $ or $ t_{pHLB} - t_{pLHA} $	$T_{SKEW1}$	Any differential pair on package at 50% point of the transition	—	50	ps
Channel-to-channel Skew $ t_{pDIFFm} - t_{pDIFFn} $	$T_{SKEW2}$	Any two signals on package at 0 V differential	—	—	ps
Propagation Delay Time	$T_{PLH}$ $T_{PHL}$	$Z_{LOAD} = 100 \Omega \pm 1\%$ $C_{PAD} = 3 pF, C_{PADN} = 3 pF$	0.50 0.55	0.90 1.03	ps

LVDS I/O (continued)

LVDS Receiver Buffer Requirements

Table 23. LVDS Receiver dc Data

Parameter	Symbol	Test Conditions	Min	Typ	Max	Unit
Receiver Input Voltage Range, $V_{IA}$ or $V_{IB}$	$V_I$	$ V_{GPD}  < 925$ mVdc 1 MHz	0	1.2	2.4	V
Receiver Input Differential Threshold	$ V_{IDTH} $	$ V_{GPD}  < 925$ mV 400 MHz	-100	—	100	mV
Receiver Input Differential Hysteresis	$V_{HYST}$	$V_{IDTHH} - V_{IDTHL}$	—	—	—*	mV
Receiver Differential Input Impedance	$R_{IN}$	With built-in termination, center-tapped	80	100	120	$\Omega$

\* Buffer will not produce output transition when input is open-circuited.

Note:  $V_{DD} = 3.1$  V—3.5 V, 0 °C—125 °C, slow-fast process.

Table 24. LVDS Receiver ac Data

Symbol	Parameter	Test Conditions	Min	Max	Unit
$T_{PWD}$	Receiver Output Pulse-width Distortion	$ V_{IDTH}  = 100$ mV 311 MHz	—	TBD	ps
$T_{PLH}$ , $T_{PHL}$	Propagation Delay Time	$C_L = 1.5$ pF	0.75 0.74	1.65 1.82	ns
—	With Common-mode Variation, (0 V to 2.4 V)	$C_L = 1.5$ pF	—	50	ps
$T_{RISE}$	Receiver Output Signal Rise Time, $V_{OD}$ 20% to 80%	$C_L = 1.5$ pF	150	350	ps
$T_{FALL}$	Receiver Output Signal Fall Time, $V_{OD}$ 80% to 20%	$C_L = 1.5$ pF	150	350	ps

Table 25. LVDS Receiver Power Consumption

Symbol	Parameter	Test Conditions	Min	Max	Unit
$PR_{dc}$	Receiver dc Power	dc	—	34.8	mW
$PR_{ac}$	Receiver ac Power	ac, $C_L = 1.5$ pF	—	0.026	mW/MHz

Table 26. LVDS Operating Parameters

Parameter	Test Conditions	Min	Normal	Max	Unit
Transmit Termination Resistor	—	—	100	—	$\Omega$
Receiver Termination Resistor	—	—	50	—	$\Omega$
Temperature Range	—	-40	—	125	°C
Power Supply $V_{DD}$	—	3.1	—	3.5	V
Power Supply $V_{SS}$	—	—	0	—	V

Note: Under worst-case operating condition, the LVDS driver will withstand a disabled or unpowered receiver for an unlimited period of time without being damaged. Similarly, when outputs are short-circuited to each other or to ground, the LVDS will not suffer permanent damage. The LVDS driver supports hot-insertion. Under a well-controlled environment, the LVDS I/O can drive backplane as well as cable.

## Timing Characteristics

### Description

The most accurate timing characteristics are reported by the timing analyzer in the *ORCA* Foundry development system. A timing report provided by the development system after layout divides path delays into logic and routing delays. The timing analyzer can also provide logic delays prior to layout. While this allows routing budget estimates, there is wide variance in routing delays associated with different layouts.

The logic timing parameters noted in the Electrical Characteristics section of this data sheet are the same as those in the design tools. In the PFU timing, symbol names are generally a concatenation of the PFU operating mode and the parameter type. The setup, hold, and propagation delay parameters, defined below, are designated in the symbol name by the SET, HLD, and DEL characters, respectively.

The values given for the parameters are the same as those used during production testing and speed binning of the devices. The junction temperature and supply voltage used to characterize the devices are listed in the delay tables. Actual delays at nominal temperature and voltage for best-case processes can be much better than the values given.

It should be noted that the junction temperature used in the tables is generally 85 °C. The junction temperature for the FPGA depends on the power dissipated by the device, the package thermal characteristics ( $\Theta_{JA}$ ), and the ambient temperature, as calculated in the following equation and as discussed further in the Package Thermal Characteristics Summary section:

$$T_{Jmax} = T_{Amax} + (P \cdot \Theta_{JA}) \text{ } ^\circ\text{C}$$

**Note:** The user must determine this junction temperature to see if the delays from *ORCA* Foundry should be derated based on the following derating tables.

Table 27 and Table 28 provide approximate power supply and junction temperature derating for OR3LP26B commercial devices. The delay values in this data sheet and reported by *ORCA* Foundry are shown as 1.00 in the tables. The method for determining the maximum junction temperature is defined in the Package Thermal Characteristics section. Taken cumulatively, the range of parameter values for best-case vs. worst-case processing, supply voltage, and junction temperature can approach three to one.

**Table 27. Derating for Commercial Devices (I/O Supply V<sub>DD</sub>)**

T <sub>J</sub> (°C)	Power Supply Voltage		
	3.0 V	3.3 V	3.6 V
-40	0.82	0.72	0.66
0	0.91	0.80	0.72
25	0.98	0.85	0.77
85	1.00	0.99	0.90
100	1.23	1.07	0.94
125	1.34	1.15	1.01

**Table 28. Derating for Commercial Devices (I/O Supply V<sub>DD2</sub>)**

T <sub>J</sub> (°C)	Power Supply Voltage		
	2.38 V	2.5 V	2.63 V
-40	0.86	0.71	0.67
0	0.94	0.79	0.73
25	0.99	0.84	0.77
85	1.00	0.99	0.92
100	1.23	1.05	0.96
125	1.33	1.13	1.03

Note: The derating tables shown above are for a typical critical path that contains 33% logic delay and 66% routing delay. Since the routing delay derates at a higher rate than the logic delay, paths with more than 66% routing delay will derate at a higher rate than shown in the table. The approximate derating values vs. temperature are 0.26% per °C for logic delay and 0.45% per °C for routing delay. The approximate derating values vs. voltage are 0.13% per mV for both logic and routing delays at 25 °C.

## **Timing Characteristics** (continued)

**Propagation Delay**—The time between the specified reference points. The delays provided are the worst-case of the  $t_{phh}$  and  $t_{pll}$  delays for noninverting functions,  $t_{plh}$  and  $t_{phl}$  for inverting functions, and  $t_{phz}$  and  $t_{plz}$  for 3-state enable.

**Setup Time**—The interval immediately preceding the transition of a clock or latch enable signal, during which the data must be stable to ensure it is recognized as the intended value.

**Hold Time**—The interval immediately following the transition of a clock or latch enable signal, during which the data must be held stable to ensure it is recognized as the intended value.

**3-State Enable**—The time from when a 3-state control signal becomes active and the output pad reaches the high-impedance state.

## **PFU Timing**

Refer to *ORCA Series 3* data sheet for the following:

- Combination PFU Timing Characteristics
- Sequential PFU Timing Characteristics
- Ripple Mode PFU Timing Characteristics
- Synchronous Memory Write Characteristics
- Synchronous Memory Read Characteristics

## **PLC Timing**

Refer to *ORCA Series 3* data sheet for the following:

- PFU Output MUX and Direct Routing Timing Characteristics

## **SLIC Timing**

Refer to *ORCA Series 3* data sheet for the following:

- Supplemental Logic and Interconnect Cell (SLIC) Timing Characteristics

## **PIO Timing**

Refer to *ORCA Series 3* data sheet for the following:  
Programmable I/O (PIO) Timing Characteristics

## **Special Function Timing**

Refer to *ORCA Series 3* data sheet for the following:

- Microprocessor Interface (MPI) Timing Characteristics
- Programmable Clock Manager (PCM) Timing Characteristics
- Boundary-Scan Timing Characteristics

## **Clock Timing**

Refer to *ORCA Series 3* data sheet for the following:

- ExpressCLK (ECLK) and Fast Clock (FCLK) Timing Characteristics
- General-Purpose Clock Timing Characteristics (Internally Generated Clock)
- ORT4622 ExpressCLK to Output Delay (Pin-to-Pin)
- ORT4622 Fast Clock (FCLK) to Output Delay (Pin-to-Pin)
- ORT4622 General System Clock (SCLK) to Output Delay (Pin-to-Pin)
- ORT4622 Input to ExpressCLK (ECLK) Fast Capture Setup/Hold Time (Pin-to-Pin)
- ORT4622 Input to Fast Clock Setup/Hold Time (Pin-to-Pin)
- ORT4622 Input to General System Clock Setup/Hold Time (Pin-to-Pin)

## **Configuration Timing**

Refer to *ORCA Series 3* data sheet for Configuration Timing Characteristics.

## **Readback Timing**

Refer to *ORCA Series 3* data sheet for Readback Timing Characteristics.

**Timing Characteristics** (continued)

**Table 29. ORT4622 Embedded Core and FPGA Interface Clock Operation Frequencies**

ORT4622 Commercial:  $V_{DD} = 3.3\text{ V} \pm 5\%$ ,  $V_{DD2} = 2.5\text{ V} \pm 5\%$ ,  $0\text{ }^{\circ}\text{C} < T_A < 70\text{ }^{\circ}\text{C}$ .

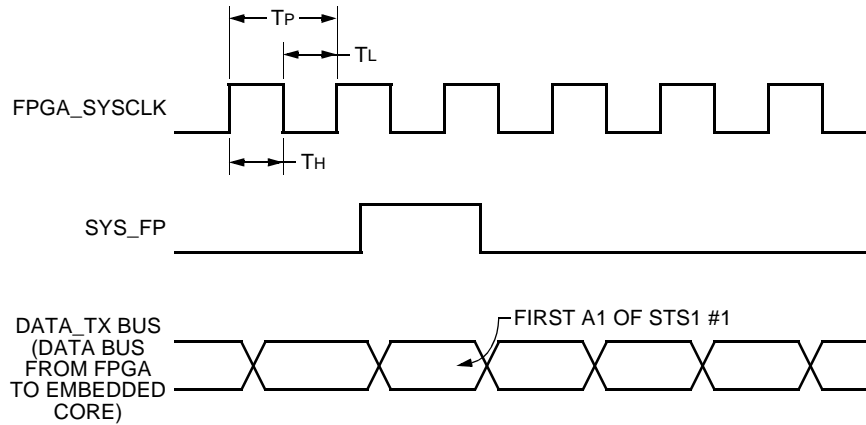
Description ( $T_I = 85\text{ }^{\circ}\text{C}$ , $V_{DD} = \text{min}$ , $V_{DD2} = \text{min}$ )	Speed -7			Unit
	Min	Typ	Max	
<b>Signal</b>				
<b>sys_clk</b>	0	—*	77.76*	MHz
<b>toh_clk</b>	0	25	77.76	MHz

\* The sys\_clk clock frequency is based on the HSI macro specifications.

All embedded core/FPGA on-chip interface timing is available in ORCA Foundry through the STAMP timing file included in the ORT4622 Design Kit.

Timing Characteristics (continued)

Clock Timing



5-8605 (F)

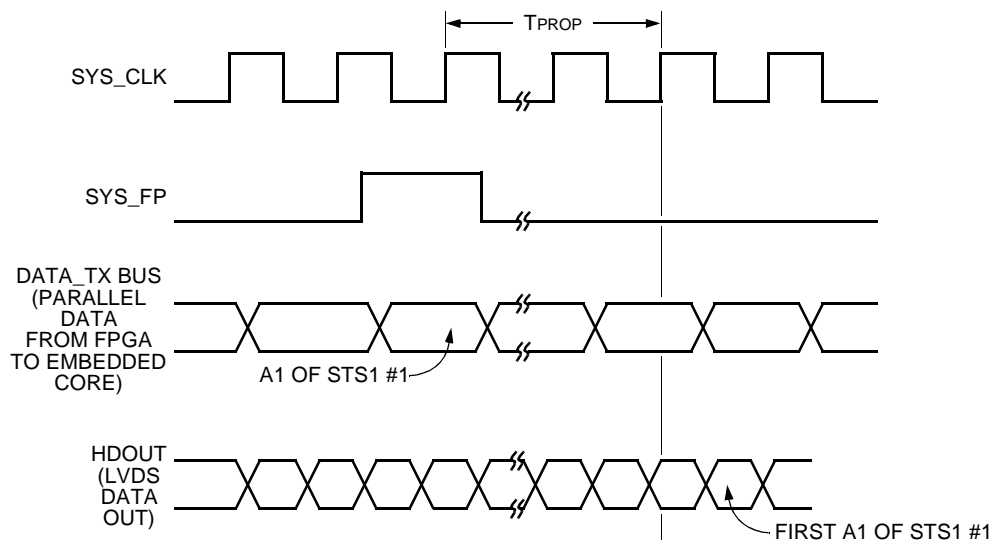
Figure 14. Transmit Parallel Port Timing (Backplane -> FPGA)

Table 30. Timing Requirements (Transmit Parallel Port Timing)

Symbol	Parameter	Min	Nom	Max	Unit
$T_P$	Clock Period	12.86	—	—	ns
$T_L$	Clock Low Time	5.1	6.43	7.7	ns
$T_H$	Clock High Time	5.1	6.43	7.7	ns



Timing Characteristics (continued)



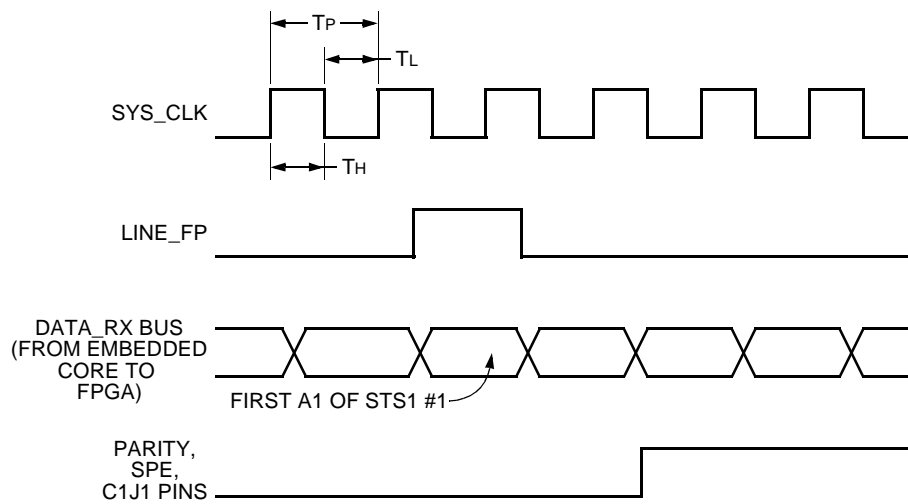
5-8606

Figure 15. Transmit Transport Delay (FPGA -> Backplane)

Table 31. Timing Requirements (Transmit Transport Delay)

Symbol	Parameter	Min	Nom	Max	Unit
T <sub>PROP</sub>	Number of Clocks of Delay from Parallel Bus Input to LVDS Output	4	7	8	SYS_CLK

Timing Characteristics (continued)



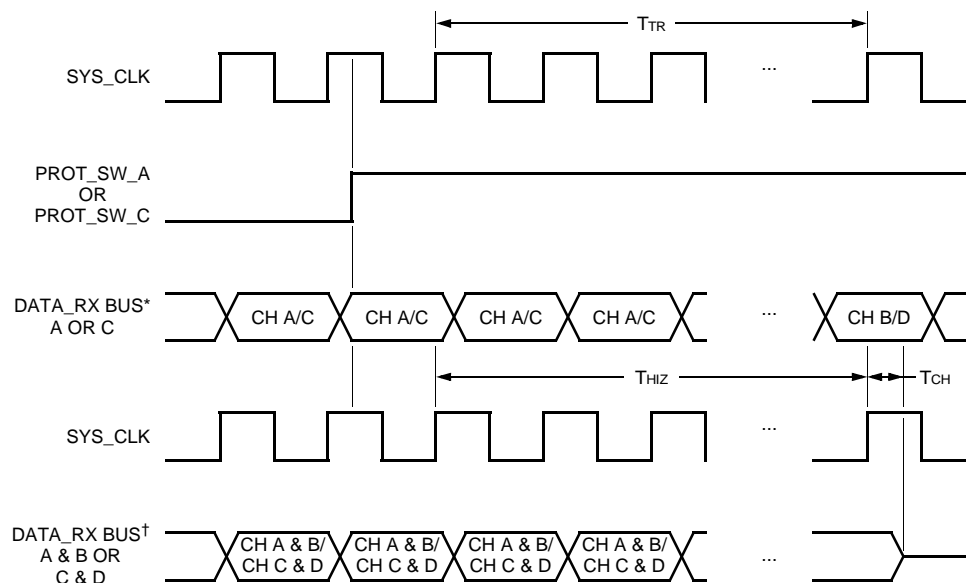
5-8607 (F)

Figure 16. Receive Parallel Port Timing (Backplane -> FPGA)

Table 32. Timing Requirements (Receive Parallel Port Timing)

Symbol	Parameter	Min	Nom	Max	Unit
$T_P$	Clock Period	12.86	—	—	ns
$T_L$	Clock Low Time	5.1	6.43	7.7	ns
$T_H$	Clock High Time	5.1	6.43	7.7	ns

Timing Characteristics (continued)



5-8608 (F)

\* Data bus refers to 8 bits data, 1 bit parity, 1 bit SPE, and 1 bit C1J1.

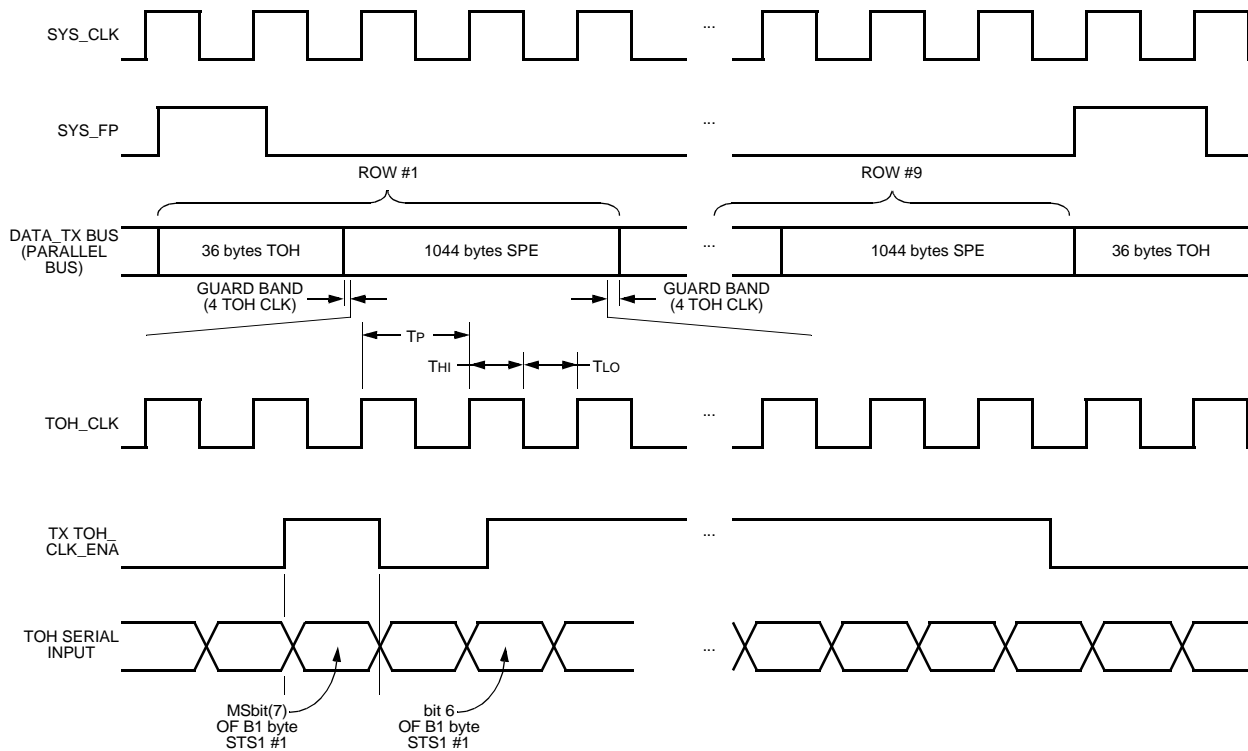
† Channel A or C refers to whether the `PROT_SW_A` or `PROT_SW_C` pins that are activated. For example, if the `PROT_SW_A` pin is activated, the timing diagram for output bus A or C refers to output bus A.

Figure 17. Protection Switch Timing

Table 33. Timing Requirements (Protection Switch Timing)

Symbol	Parameter	Min	Nom	Max	Unit
$T_{TR}$	Transport Delay from Latching of <code>PROT_SW_A/C</code> to Actual Data Switch	7	8	9	Leading edge <code>SYS_CLKs</code>
$T_{HIZ}$	Transport Delay from Latching of <code>PROT_SW_A/C</code> to Actual Hi-z	4	5	6	Leading edge <code>SYS_CLKs</code>
$T_{CH}$	Propagation Delay from <code>SYS_CLK</code> to HI-Z of Output Bus	—	—	25	Leading edge <code>SYS_CLKs</code>

Timing Characteristics (continued)



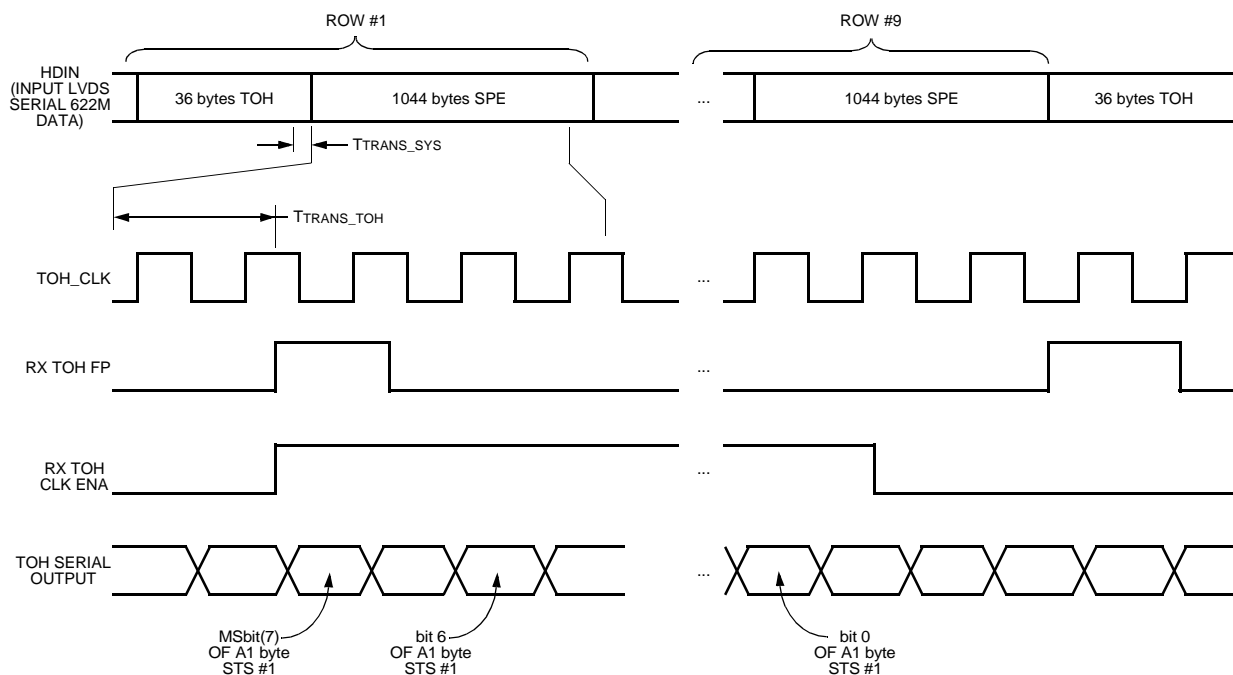
5-8609 (F)

Figure 18. TOH Input Serial Port Timing (FPGA -> Backplane)

Table 34. Timing Requirements (TOH Input Serial Port Timing)

Symbol	Parameter	Min	Nom	Max	Unit
$T_p$	Clock Period	12.86	—	40	ns
$T_{Hi}$	Clock High Time	5.1	6.43	7.7	ns
$T_{Lo}$	Clock Low Time	5.1	6.43	7.7	ns

Timing Characteristics (continued)



5-8610 (F)

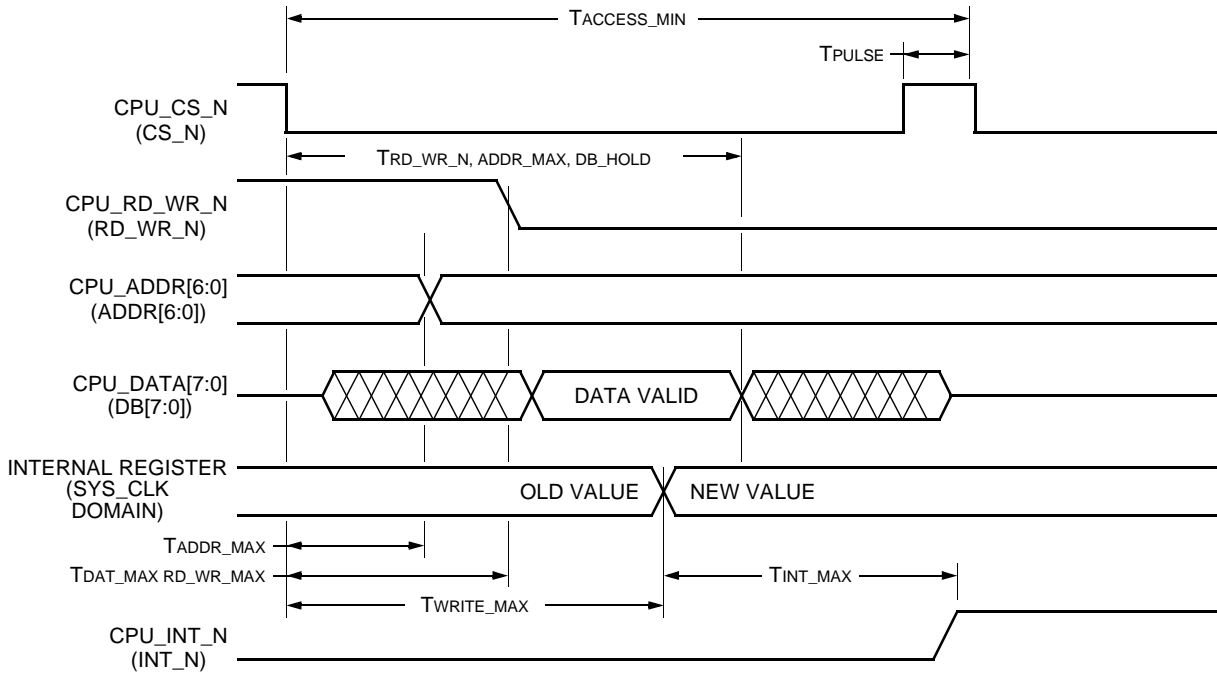
Note: The total delay from A1 STS1 #1 arriving at LVDS input to RX\_TOH\_FP is 56 SYS\_CLKs and 6 TOH\_CLKs. This will vary by  $\pm 14$  SYS\_CLKs, 12 each way for the FIFO alignment, and  $\pm 2$  SYS\_CLKs due to the variability in the clock recovery of the HSI macro.

Figure 19. TOH Output Serial Port Timing (Backplane -> FPGA)

Table 35. Timing Requirements (TOH Output Serial Port Timing)

Symbol	Parameter	Min	Nom	Max	Unit
TTRANS_SYS	Delay from First A1 LVDS Serial Input to Transfer to TOH_CLK	44	56	68	SYS_CLKs
TTRANS_TOH	Delay from Transfer to TOH_CLK to RX_TOH_FP	—	6	—	TOH_CLKs

Timing Characteristics (continued)



5-8611 (F)

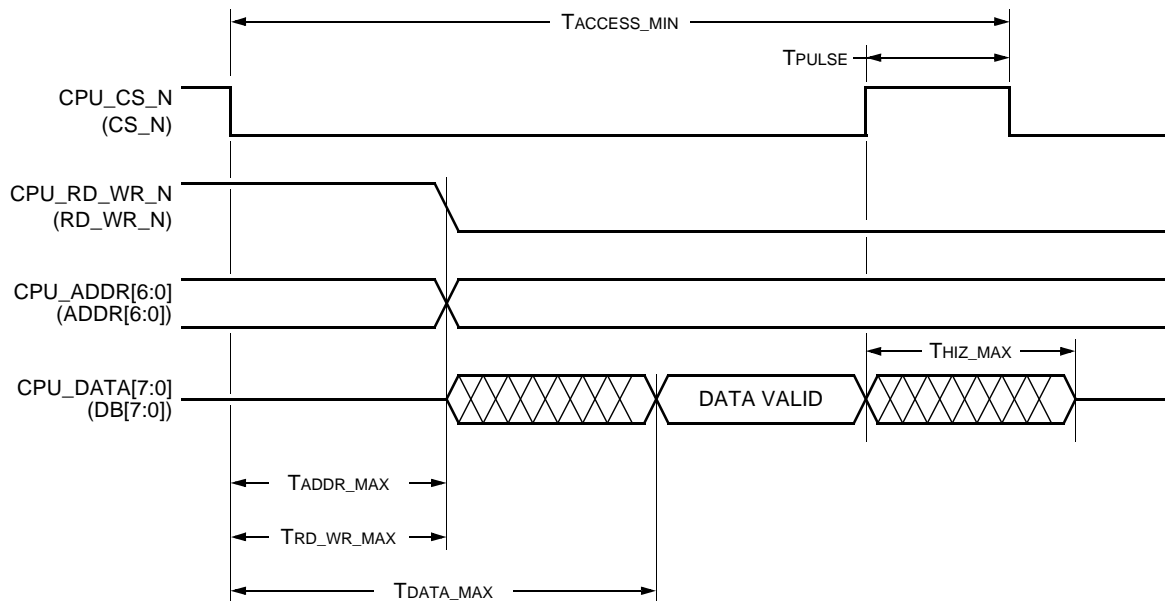
Note: The CPU interface can be bit stream selected either from device I/O or FPGA interface. The timing diagram applies to both interfaces, but not to the FPGA MPI block.

Figure 20. CPU Write Transaction

Table 36. Timing Requirements (CPU Write Transaction)

Symbol	Parameter	Min	Max	Unit
T <sub>PULSE</sub>	Minimum Pulse Width for CS <sub>N</sub>	5	—	ns
T <sub>ADDR_MAX</sub>	Maximum Time from Negative Edge of CS <sub>N</sub> to ADDR Valid	—	18	ns
T <sub>DAT_MAX</sub>	Maximum Time from Negative Edge of CS <sub>N</sub> to Data Valid	—	25	ns
T <sub>RD_WR_MAX</sub>	Maximum Time from Negative Edge of CS <sub>N</sub> to Negative Edge of RD <sub>WR_N</sub>	—	26	ns
T <sub>WRITE_MAX</sub>	Maximum Time from Negative Edge of CS <sub>N</sub> to Contents of Internal Register Latching DB[7:0]	—	60	ns
T <sub>ACCESS_MIN</sub>	Minimum Time Between a Write Cycle (falling edge of CS <sub>N</sub> ) and Any Other Transaction (read or write at falling edge of CS <sub>N</sub> )	60	—	ns
T <sub>INT_MAX</sub>	Maximum Time from Register FF to Pad	—	20	ns
T <sub>RW_WR_N, ADDR, DB_HOLD</sub>	Minimum Hold Time that RD <sub>WR_N</sub> , ADDR and DB Must be Held Valid from the Negative Edge of CS <sub>N</sub>	57	—	ns

Timing Characteristics (continued)



5-8612 (F)

Notes:

The CPU interface can be bit stream selected either from device I/O or FPGA interface. The timing diagram applies to both interfaces, but not to the FPGA MPI block.

The time delay between the advanced SYS\_CLK and the distributed SYS\_CLK used to sample CS\_N is of no consequence. However, the path delay of CS\_N from pad to where it is sampled by SYS\_CLK must be minimized.

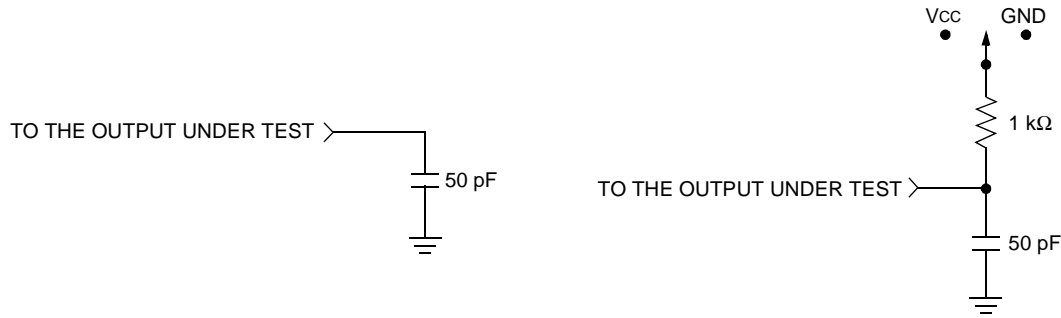
The calculated delays assume a 100 pF loading on the DB pins.

Figure 21. CPU Read Transaction

Table 37. Timing Requirements (CPU Read Transaction)

Symbol	Parameter	Min	Max	Unit
TPULSE	Minimum Pulse Width for CS_N	5	—	ns
TADDR_MAX	Maximum Time from Negative Edge of CS_N to ADDR Valid	—	5	ns
TRD_WR_MAX	Maximum Time from Negative Edge of CS_N to RD_WR_N Falling	—	5	ns
TDATA_MAX	Maximum Time from Negative Edge of CS_N to Data Valid on DB Port	—	56	ns
THIZ_MAX	Maximum Time from Rising Edge of CS_N to DB Port Going HI-Z	—	12	ns
TACCESS_MIN	Minimum Time Between a Read Cycle (falling edge of CS_N) and Any Other Transaction (read or write at falling edge of CS_N)	60	—	ns

Input/Output Buffer Measurement Conditions (on-LVDS Buffer)



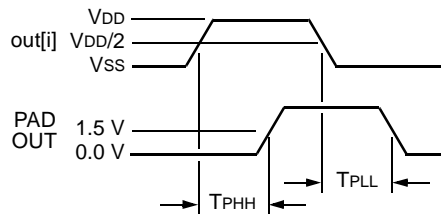
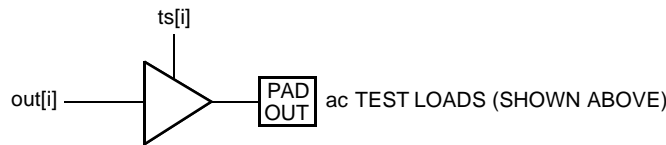
A. Load Used to Measure Propagation Delay

B. Load Used to Measure Rising/Falling Edges

5-3234(F)

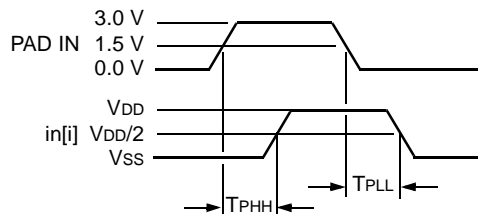
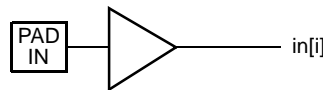
Note: Switch to VDD for TPLZ/TPZL; switch to GND for TPHZ/TPZH.

Figure 22. ac Test Loads



5-3233.a(F)

Figure 23. Output Buffer Delays

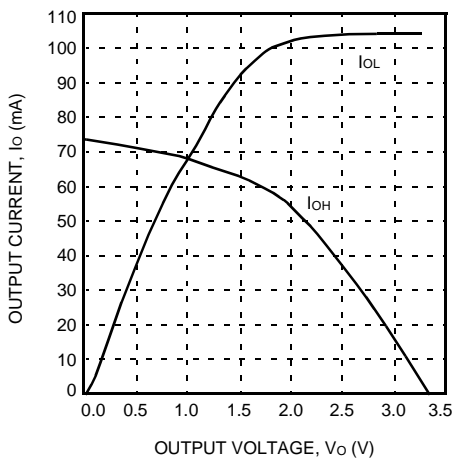


5-3235(F)

Figure 24. Input Buffer Delays

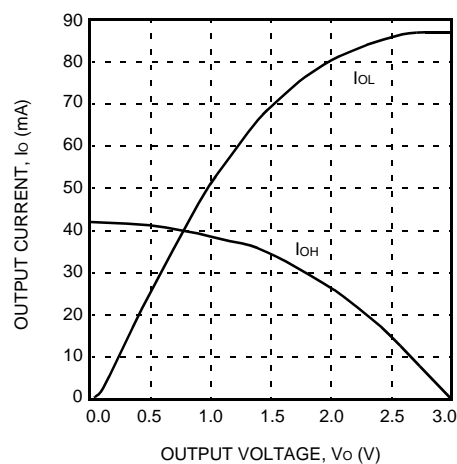


### FPGA Output Buffer Characteristics



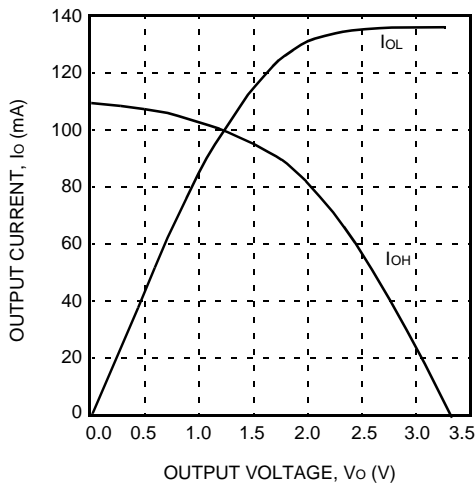
5-6865(F)

Figure 25. Sinklim ( $T_J = 25\text{ }^\circ\text{C}$ ,  $V_{DD} = 3.3\text{ V}$ )



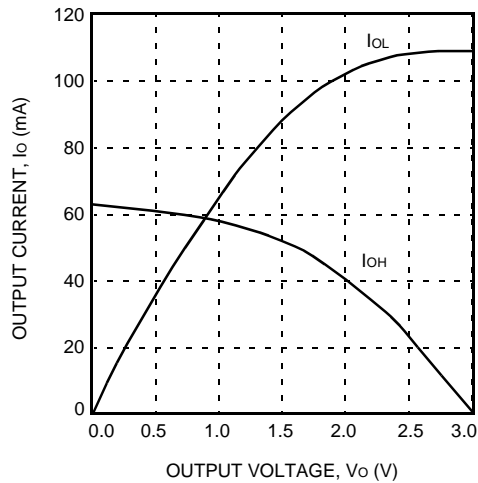
5-6866(F)

Figure 28. Sinklim ( $T_J = 125\text{ }^\circ\text{C}$ ,  $V_{DD} = 3.0\text{ V}$ )



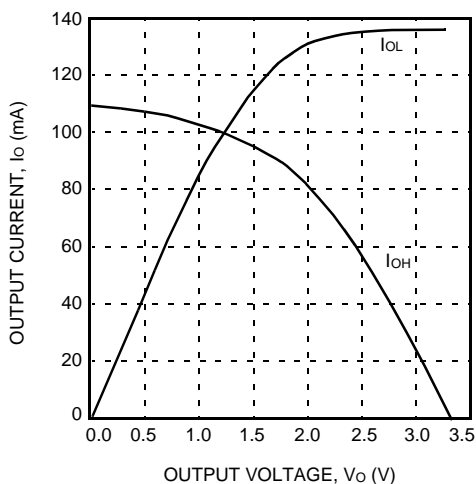
5-6867(F)

Figure 26. Slewlim ( $T_J = 25\text{ }^\circ\text{C}$ ,  $V_{DD} = 3.3\text{ V}$ )



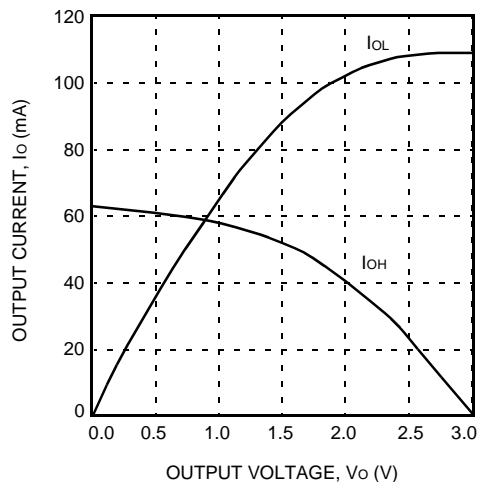
5-6868(F)

Figure 29. Slewlim ( $T_J = 125\text{ }^\circ\text{C}$ ,  $V_{DD} = 3.0\text{ V}$ )



5-6867(F)

Figure 27. Fast ( $T_J = 25\text{ }^\circ\text{C}$ ,  $V_{DD} = 3.3\text{ V}$ )



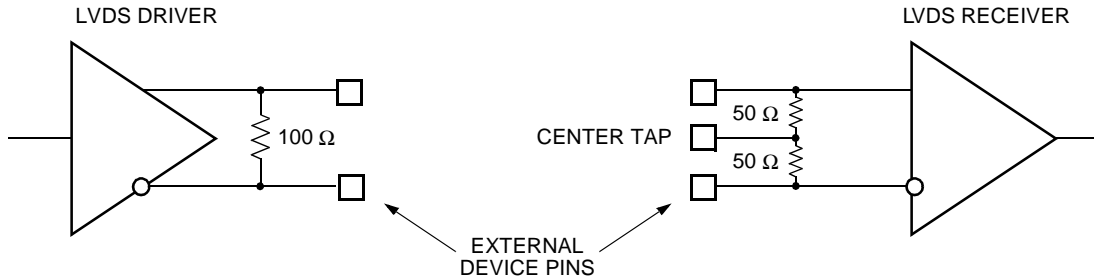
5-6868(F)

Figure 30. Fast ( $T_J = 125\text{ }^\circ\text{C}$ ,  $V_{DD} = 3.0\text{ V}$ )

## LVDS Buffer Characteristics

### Termination Resistor

The LVDS drivers and receivers operate on a 100 Ω differential impedance, as shown below. External resistors are not required. The differential driver and receiver buffers include termination resistors inside the device package as shown in Figure 31 below.

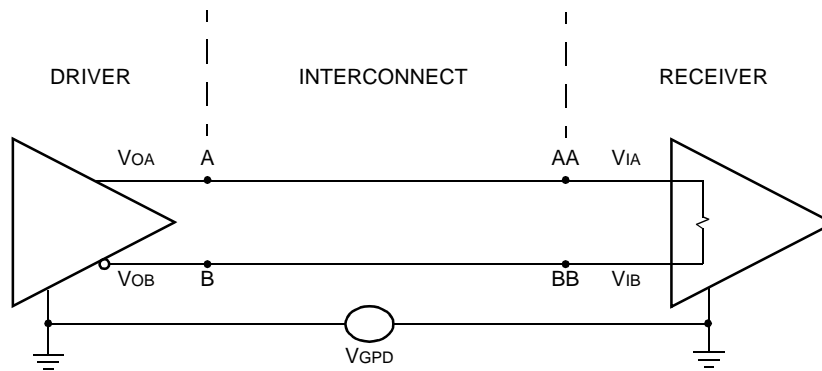


5-8703(F)

Figure 31. LVDS Driver and Receiver and Associated Internal Components

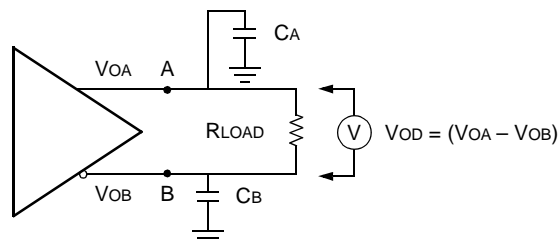
### LVDS Driver Buffer Capabilities

Under worst-case operating condition, the LVDS driver must withstand a disabled or unpowered receiver for an unlimited period of time without being damaged. Similarly, when its outputs are short-circuited to each other or to ground, the LVDS driver will not suffer permanent damage. Figure 32 illustrates the terms associated with LVDS driver and receiver pairs.



5-8704(F)

Figure 32. LVDS Driver and Receiver



5-8705(F)

Figure 33. LVDS Driver

## Estimating Power Dissipation

The total operating power dissipated is estimated by summing the FPGA standby (IDDSB), internal, and external power dissipated, in addition to the embedded block power.

**Table 38. Embedded Block Power Dissipation**

Number of Active Channels	Operating Frequency (Hz)	Estimated Power Dissipated (Watt)	
		Min	Max
1 channel	622	—	1.08
2 channels	622	—	1.43
3 channels	622	—	1.73
4 channels	622	—	2.01

Note: Power is calculated assuming an activity factor of 20%.

The following discussion relates to the FPGA portion of the device. The internal and external power is the power consumed in the PLCs and PICs, respectively. In general, the standby power is small and may be neglected. The total operating power is as follows:

$$P_T = \sum P_{PLC} + \sum P_{PIC}$$

The internal operating power is made up of two parts: clock generation and PFU output power. The PFU output power can be estimated based upon the number of PFU outputs switching when driving an average fan-out of two:

$$P_{PFU} = 0.078 \text{ mW/MHz}$$

For each PFU output that switches, 0.136 mW/MHz needs to be multiplied times the frequency (in MHz) that the output switches. Generally, this can be estimated by using one-half the clock rate, multiplied by some activity factor; for example, 20%.

The power dissipated by the clock generation circuitry is based upon four parts: the fixed clock power, the power/clock branch row or column, the clock power dissipated in each PFU that uses this particular clock, and the power from the subset of those PFUs that are configured as synchronous memory. Therefore, the clock power can be calculated for the four parts using the following equations:

### ORT4622 Clock Power

$$P = [0.22 \text{ mW/MHz} \\ + (0.39 \text{ mW/MHz/Branch}) (\# \text{ Branches}) \\ + (0.008 \text{ mW/MHz/PFU}) (\# \text{ PFUs}) \\ + (0.002 \text{ mW/MHz/PIO}) (\# \text{ PIOs})]$$

For a quick estimate, the worst-case (typical circuit) ORT4622 clock power = 4.8 mW/MHz

The power dissipated in a PIC is the sum of the power dissipated in the four PIOs in the PIC. This consists of power dissipated by inputs and ac power dissipated by outputs. The power dissipated in each PIO depends on whether it is configured as an input, output, or input/output. If a PIO is operating as an output, then there is a power dissipation component for  $P_{IN}$ , as well as  $P_{OUT}$ . This is because the output feeds back to the input.

The power dissipated by an input buffer is ( $V_{IH} = V_{DD} - 0.3 \text{ V}$  or higher) estimated as:

$$P_{IN} = 0.09 \text{ mW/MHz}$$

The ac power dissipation from an output or bidirectional is estimated by the following:

$$P_{OUT} = (C_L + 8.8 \text{ pF}) \times V_{DD}^2 \times F \text{ Watts}$$

where the unit for  $C_L$  is farads, and the unit for  $F$  is Hz.

## Pin Information

This section describes the pins and signals that perform FPGA-related functions. During configuration, the user-programmable I/Os are 3-stated and pulled-up with an internal resistor. If any FPGA function pin is not used (or not bonded to package pin), it is also 3-stated and pulled-up after configuration.

**Table 39. FPGA Common-Function Pin Description**

Symbol	I/O	Description
<b>Dedicated Pins</b>		
V <sub>DD</sub>	—	3.3 V power supply.
V <sub>DD2</sub>	—	2.5 V power supply
GND	—	Ground supply.
$\overline{\text{RESET}}$	I	During configuration, $\overline{\text{RESET}}$ forces the restart of configuration and a pull-up is enabled. After configuration, $\overline{\text{RESET}}$ can be used as an FPGA logic direct input, which causes all PLC latches/FFs to be asynchronously set/reset.
CCLK	I/O	In the master and asynchronous peripheral modes, CCLK is an output, which strobes configuration data in. In the slave or synchronous peripheral mode, CCLK is input synchronous with the data on DIN or D[7:0]. In microprocessor mode, CCLK is used internally and output for daisy-chain operation.
DONE	I	As an input, a low level on DONE delays FPGA start-up after configuration.*
	O	As an active-high, open-drain output, a high level on this signal indicates that configuration is complete. DONE has a permanent pull-up resistor.
$\overline{\text{PRGM}}$	I	$\overline{\text{PRGM}}$ is an active-low input that forces the restart of configuration and resets the boundary-scan circuitry. This pin always has an active pull-up.
$\overline{\text{RD\_CFG}}$	I	This pin must be held high during device initialization until the $\overline{\text{INIT}}$ pin goes high. This pin always has an active pull-up. During configuration, $\overline{\text{RD\_CFG}}$ is an active-low input that activates the TS_ALL function and 3-states all of the I/O. After configuration, $\overline{\text{RD\_CFG}}$ can be selected (via a bit stream option) to activate the TS_ALL function as described above, or, if readback is enabled via a bit stream option, a high-to-low transition on $\overline{\text{RD\_CFG}}$ will initiate readback of the configuration data, including PFU output states, starting with frame address 0.
RD_DATA/TDO	O	RD_DATA/TDO is a dual-function pin. If used for readback, RD_DATA provides configuration data out. If used in boundary scan, TDO is test data out.
<b>Special-Purpose Pins</b>		
M0, M1, M2	I	During powerup and initialization, M0, M1, and M2 are used to select the configuration mode with their values latched on the rising edge of $\overline{\text{INIT}}$ . During configuration, a pull-up is enabled. After configuration, these pins cannot be user-programmable I/Os.
M3	I	During powerup and initialization, M3 is used to select the speed of the internal oscillator during configuration with their values latched on the rising edge of $\overline{\text{INIT}}$ . When M3 is low, the oscillator frequency is 10 MHz. When M3 is high, the oscillator is 1.25 MHz. During configuration, a pull-up is enabled.
	I/O	After configuration, this pin is a user-programmable I/O pin.*

\* The ORCA Series 3 FPGA data sheet contains more information on how to control these signals during start-up. The timing of DONE release is controlled by one set of bit stream options, and the timing of the simultaneous release of all other configuration pins (and the activation of all user I/Os) is controlled by a second set of options.

Pin Information (continued)

Table 39. FPGA Common-Function Pin Description (continued)

Symbol	I/O	Description
<b>Special-Purpose Pins</b> (continued)		
TDI, TCK, TMS	I	If boundary scan is used, these pins are test data in, test clock, and test mode select inputs. If boundary scan is not selected, all boundary-scan functions are inhibited once configuration is complete. Even if boundary scan is not used, either TCK or TMS must be held at logic one during configuration. Each pin has a pull-up enabled during configuration.
	I/O	After configuration, these pins are user-programmable I/O.*
RDY/RCLK/ MPI_ALE	O	During configuration in peripheral mode, RDY/RCLK indicates another byte can be written to the FPGA. If a read operation is done when the device is selected, the same status is also available on D7 in asynchronous peripheral mode.
	O	During the master parallel configuration mode, RCLK is a read output signal to an external memory. This output is not normally used.
	I	In <i>i960</i> microprocessor mode, this pin acts as the address latch enable (ALE) input.
	I/O	After configuration, if the MPI is not used, this pin is a user-programmable I/O pin.*
HDC	O	High during configuration (HDC) is output high until configuration is complete. It is used as a control output indicating that configuration is not complete.
$\overline{\text{LDC}}$	O	Low during configuration ( $\overline{\text{LDC}}$ ) is output low until configuration is complete. It is used as a control output indicating that configuration is not complete.
$\overline{\text{INIT}}$	I/O	$\overline{\text{INIT}}$ is a bidirectional signal before and during configuration. During configuration, a pull-up is enabled, but an external pull-up resistor is recommended. As an active-low open-drain output, $\overline{\text{INIT}}$ is held low during power stabilization and internal clearing of memory. As an active-low input, $\overline{\text{INIT}}$ holds the FPGA in the wait-state before the start of configuration.
$\overline{\text{CS0}}$ , CS1	I	$\overline{\text{CS0}}$ and CS1 are used in the asynchronous peripheral, slave parallel, and microprocessor configuration modes. The FPGA is selected when $\overline{\text{CS0}}$ is low and CS1 is high. During configuration, a pull-up is enabled.
	I/O	After configuration, these pins are user-programmable I/O pins.*
$\overline{\text{RD}}$ / $\overline{\text{MPI\_STRB}}$	I	$\overline{\text{RD}}$ is used in the asynchronous peripheral configuration mode. A low on $\overline{\text{RD}}$ changes D7 into a status output. As a status indication, a high indicates ready, and a low indicates busy. $\overline{\text{WR}}$ and $\overline{\text{RD}}$ should not be used simultaneously. If they are, the write strobe overrides. This pin is also used as the microprocessor interface (MPI) data transfer strobe. For <i>PowerPC</i> , it is the transfer start (TS). For <i>i960</i> , it is the address/data strobe ( $\overline{\text{ADS}}$ ).
	I/O	After configuration, if the MPI is not used, this pin is a user-programmable I/O pin.*
$\overline{\text{WR}}$	I	$\overline{\text{WR}}$ is used in the asynchronous peripheral configuration mode. When the FPGA is selected, a low on the write strobe, $\overline{\text{WR}}$ , loads the data on D[7:0] inputs into an internal data buffer. $\overline{\text{WR}}$ and $\overline{\text{RD}}$ should not be used simultaneously. If they are, the write strobe overrides.
	I/O	After configuration, this pin is a user-programmable I/O pin.*

\* The ORCA Series 3 FPGA data sheet contains more information on how to control these signals during start-up. The timing of DONE release is controlled by one set of bit stream options, and the timing of the simultaneous release of all other configuration pins (and the activation of all user I/Os) is controlled by a second set of options.

Pin Information (continued)

Table 39. FPGA Common-Function Pin Description (continued)

Symbol	I/O	Description
<b>Special-Purpose Pins</b> (continued)		
$\overline{\text{MPI\_IRQ}}$	O	MPI active-low interrupt request output.
$\overline{\text{MPI\_BI}}$	O	<i>PowerPC</i> mode MPI burst inhibit output.
	I/O	If the MPI is not in use, this is a user-programmable I/O.
$\overline{\text{MPI\_ACK}}$	O	In <i>PowerPC</i> mode MPI operation, this is the active-high transfer acknowledge ( $\overline{\text{TA}}$ ) output. For <i>i960</i> MPI operation, it is the active-low ready/record ( $\overline{\text{RDYRCV}}$ ) output. If the MPI is not in use, this is a user-programmable I/O.
MPI_RW	I	In <i>PowerPC</i> mode MPI operation, this is the active-low write/active-high read control signals. For <i>i960</i> operation, it is the active-high write/active-low read control signal.
	I/O	If the MPI is not in use, this is a user-programmable I/O.
MPI_CLK	I	This is the clock used for the synchronous MPI interface. For <i>PowerPC</i> , it is the CLK-OUT signal. For <i>i960</i> , it is the system clock that is chosen for the <i>i960</i> external bus interface.
	I/O	If the MPI is not in use, this is a user-programmable I/O.
A[4:0]	I	For <i>PowerPC</i> operation, these are the <i>PowerPC</i> address inputs. The address bit mapping (in <i>PowerPC</i> /FPGA notation) is A[31]/A[0], A[30]/A[1], A[29]/A[2], A[28]/A[3], A[27]/A[4]. Note that A[27]/A[4] is the MSB of the address. The A[4:2] inputs are not used in <i>i960</i> MPI mode.
	I/O	If the MPI is not in use, this is a user-programmable I/O.
A[1:0]/ $\overline{\text{MPI\_BE}}[1:0]$	I	For <i>i960</i> operation, $\overline{\text{MPI\_BE}}[1:0]$ provide the <i>i960</i> byte enable signals, $\overline{\text{BE}}[1:0]$ , that are used as address bits A[1:0] in <i>i960</i> byte-wide operation.
D[7:0]	I	During peripheral and slave parallel configuration modes, D[7:0] receive configuration data, and each pin has a pull-up enabled. During serial configuration modes, D0 is the DIN input. D[7:0] are also the data pins for <i>PowerPC</i> microprocessor mode and the address/data pins for <i>i960</i> microprocessor mode.
	I/O	After configuration, the pins are user-programmable I/O pins.*
DIN	I	During slave serial or master serial configuration modes, DIN accepts serial configuration data synchronous with CCLK. During parallel configuration modes, DIN is the D0 input. During configuration, a pull-up is enabled.
	I/O	After configuration, this pin is a user-programmable I/O pin.*
DOUT	O	During configuration, DOUT is the serial data output that can drive the DIN of daisy-chained slave LCA devices. Data out on DOUT changes on the falling edge of CCLK.
	I/O	After configuration, DOUT is a user-programmable I/O pin.*

\* The ORCA Series 3 FPGA data sheet contains more information on how to control these signals during start-up. The timing of DONE release is controlled by one set of bit stream options, and the timing of the simultaneous release of all other configuration pins (and the activation of all user I/Os) is controlled by a second set of options.

## Pin Information (continued)

This section describes device I/O signals to/from the embedded core excluding the signals at the CIC boundary.

**Table 40. FPSC Function Pin Description**

Symbol	I/O	Description
<b>HSI LVDS Pins</b>		
sts_ina	I	LVDS input receiver A.
sts_inan	I	LVDS input receiver A.
sts_inb	I	LVDS input receiver B.
sts_inbn	I	LVDS input receiver B.
sts_inc	I	LVDS input receiver C.
sts_incn	I	LVDS input receiver C.
sts_ind	I	LVDS input receiver D.
sts_indn	I	LVDS input receiver D.
sts_outa	O	LVDS output receiver A.
sts_outan	O	LVDS output receiver A.
sts_outb	O	LVDS output receiver B.
sts_outbn	O	LVDS output receiver B.
sts_outc	O	LVDS output receiver C.
sts_outcn	O	LVDS output receiver C.
sts_outd	O	LVDS output receiver D.
sts_outdn	O	LVDS output receiver D.
ctap_refa	—	LVDS input center tap (RX A) (use 0.01 $\mu$ F to GND).
ctap_refb	—	LVDS input center tap (RX B) (use 0.01 $\mu$ F to GND).
ctap_refc	—	LVDS input center tap (RX C) (use 0.01 $\mu$ F to GND).
ctap_refd	—	LVDS input center tap (RX D) (use 0.01 $\mu$ F to GND).
ref10	I	LVDS reference voltage: 1.0 V $\pm$ 3%.
ref14	I	LVDS reference voltage: 1.4 V $\pm$ 3%.
reshi	—	Resistor input (use 100 $\Omega$ $\pm$ 1% to RESLO input).
reslo	—	Resistor input.
rext	—	Reference resistor for PLL (10 k $\Omega$ to ground).
pll_VDDA	—	PLL analog V <sub>DD</sub> (3.3 V $\pm$ 5%).
pll_VSSA	—	PLL analog V <sub>SS</sub> (GND).
<b>HSI Test Signals</b>		
tstmode	I	Enables CDR test mode. Internal pull-down.
bypass	I	Enables bypassing of the 622 MHz clock synthesis with TSTCLK. Internal pull-down.
tstclk	I	Test clock for emulation of 622 MHz clock during PLL bypass. Internal pull-down.
mreset	I	Test mode reset. Internal pull-down.
resetrn	I	Resets receiver clock division counter. Internal pull-up.
resettm	I	Resets transmitter clock division counter. Internal pull-up.

Pin Information (continued)

Table 40. FPSC Function Pin Description (continued)

Symbol	I/O	Description
<b>HSI Test Signals (continued)</b>		
tstshftld	I	Enables the test mode control register for shifting in selected tests by a serial port. Internal pull-down
ecsel	I	Enables external test control of 622 MHz clock phase selection. Internal pull-down
exdnup	I	Direction of phase change. Internal pull-down
etoggle	I	Moves 622.08 MHz clock selection on phase per positive pulse. Internal pull-down
loopbken	I	Enables 622 Mbits/s loopback mode. Internal pull-down
tstphase	I	Controls bypass of 16 PLL-generated phases with 16 low-speed phases. Internal pull-down
tstmux[8:0]s	O	Test mode output port.
<b>CPU Interface Pins</b>		
db<7:0>	I/O	CPU interface data bus. Internal pull-up.
addr<6:0>	I	CPU interface address bus. Internal pull-up.
rd_wr_n	I	CPU interface read/write. Internal pull-up.
cs_n	I	Chip select. Internal pull-up.
int_n	O	Interrupt output. Internal pull-up. Open drain.
<b>MISC System Signals</b>		
rst_n	I	Reset the Core only. The FPGA logic is not reset by rst_n. Internal pull-down allows chip to stay in reset state when external driver loses power.
sys_clk	I	System clock (77.76 MHz), 50% duty cycle, also the reference clock of PLL. Internal pull-up.
dxp	—	Temperature sensing diode (anode +).
dxn	—	Temperature sensing diode (cathode -).
<b>SCAN and BSCAN Pins*</b>		
scan_tstmd	I	Scan test mode input. Internal pull-up.
scanen	I	Scan mode enable input. Internal pull-up.
lvds_en	I	LVDS enable used during BSCAN. During normal operation, lvds_en needs to be pulled high. lvds_en needs to be pulled low for boundary scan.
<b>Universal BIST Controller Pins</b>		
sys_dobist	I	sys_dobist is asserted high to start the BIST, and should be kept high during the entire BIST operation. Internal pull-down.
sys_rssigo	O	This 32-bit serial out RSB signature consists of the 4-bit FSM state and the BIST flag flip-flop states from each SBRIC_RS element.
bc	O	This flag is asserted to one when BIST is complete, and is used for polling the end of BIST.

\* BSCAN pins-TDI, TDO, TCK, and TMS are on FPGA side.



**Pin Information** (continued)

In Table 41, an input refers to a signal flowing into the FPGA logic (out of the embedded core) and an output refers to a signal flowing out of the FPGA logic (into the embedded core).

**Table 41. Embedded Core/FPGA Interface Signal Description**

Pin Name	I/O	Description
data_txa<7:0>	O	Parallel bus of transmitter A. MSB is bit 7.
data_txa_par	O	Parity for transmitter A.
data_txb<7:0>	O	Parallel bus of transmitter B. MSB is bit 7.
data_txb_par	O	Parity for transmitter B.
data_txc<7:0>	O	Parallel bus of transmitter C. MSB is bit 7.
data_txc_par	O	Parity for transmitter C.
data_txd<7:0>	O	Parallel bus of transmitter D. MSB is bit 7.
data_txd_par	O	Parity for transmitter D.
data_rxa<7:0>	I	Parallel bus of receiver A. MSB is bit 7.
data_rxa_par	I	Parity for parallel bus of receiver A.
data_rxa_spe	I	SPE signal for parallel bus of receiver A.
data_rxa_c1j1	I	C1J1 signal for parallel bus of receiver A.
data_rxa_en	I	Enable for parallel bus of receiver A.
data_rxb<7:0>	I	Parallel bus of receiver B. MSB is bit 7.
data_rxb_par	I	Parity for parallel bus of receiver B.
data_rxb_spe	I	SPE signal for parallel bus of receiver B.
data_rxb_c1j1	I	C1J1 signal for parallel bus of receiver B.
data_rxb_en	I	Enable for parallel bus of receiver B.
data_rxc<7:0>	I	Parallel bus of receiver C. MSB is bit 7.
data_rxc_par	I	Parity for parallel bus of receiver C.
data_rxc_spe	I	SPE signal for parallel bus of receiver C.
data_rxc_c1j1	I	C1J1 signal for parallel bus of receiver C.
data_rxc_en	I	Enable for parallel bus of receiver C.
data_rxd<7:0>	I	Parallel bus of receiver D. MSB is bit 7.
data_rxd_par	I	Parity for parallel bus of receiver D.
data_rxd_spe	I	SPE signal for parallel bus of receiver D.
data_rxd_c1j1	I	C1J1 signal for parallel bus of receiver D.
data_rxd_en	I	Enable for parallel bus of receiver D.
toh_clk	O	TX and RX TOH serial links clock (25 MHz to 77.76 MHz).
toh_txa	O	TOH serial link for transmitter A.
toh_txb	O	TOH serial link for transmitter B.
toh_txc	O	TOH serial link for transmitter C.
toh_txd	O	TOH serial link for transmitter D.
tx_toh_ck_en	O	TX TOH serial link clock enable.
toh_rxa	I	TOH serial link for receiver A.
toh_rxb	I	TOH serial link for receiver B.
toh_rxc	I	TOH serial link for receiver C.

Pin Information (continued)

Table 41. Embedded Core/FPGA Interface Signal Description (continued)

Pin Name	I/O	Description
toh_rxd	I	TOH serial link for receiver D.
rx_toh_ck_en	I	RX TOH serial link clock enable.
rx_toh_fp	I	RX TOH serial link frame pulse.
toh_ck_fp_en	I	A soft register bit available to enable RX TOH clock and frame pulse.
toh_en_a	I	RX TOH enable, soft register. "AND" output of resistor channel A enable and hi-z control of TOH data output A.
cpu_data_tx<7:0>	O	CPU interface data bus.
cpu_data_rx<7:0>	I	CPU interface data bus.
cpu_addr<6:0>	O	CPU interface address bus.
cpu_rd_wr_n	O	CPU interface read/write.
cpu_cs_n	O	Chip select.
cpu_int_n	I	Interrupt.
sys_fp	O	System frame pulse for transmitter section.
line_fp	O	Line frame pulse for receiver section.
fpga_sysclk	I	System clock (77.76 MHz).
prot_sw_a	O	Protection switching control signal.
prot_sw_c	O	Protection switching control signal.
core_ready	I	During powerup and FPGA configuration sequence, the core_ready is held low. At the end of FPGA configuration, the core_ready will be held low for six clock (sys_clk) cycles and then go active-high. Flag indicates that the embedded core is out of its reset state.
fifosync_fp	I	The alignment FIFO synchronizes and locates the data frames and outputs an optimal frame pulse for the four arriving data streams.
cdr_clk_a	I	77.76 MHz recovered clock for channel A.
cdr_clk_b	I	77.76 MHz recovered clock for channel B.
cdr_clk_c	I	77.76 MHz recovered clock for channel C.
cdr_clk_d	I	77.76 MHz recovered clock for channel D.
rb_mp_sel	I	Bit stream selection for microprocessor interface selection. A 0 indicates the microprocessor interface on the core side is selected. A 1 selects the CPU interface from the FPGA side.

Pin Information (continued)

Table 42. Embedded Core/FPGA Interface Signal Locations

Embedded Core/FPGA Interface Site	FPGA Input Signal	FPGA Output Signal
ASB1A	toh_rxa	toh_txa
ASB1B	toh_rxb	toh_txb
ASB1C	toh_rxc	toh_txc
ASB1D	toh_rxd	toh_txd
CKTOASB1	—	toh_clk
ASB2A	rx_toh_ck_en	—
ASB2B	rx_toh_fp	—
ASB2C	toh_ck_fp_en	tx_toh_ck_en
ASB2D	toh_en_a	—
ASB3A	data_rxa7	—
ASB3B	data_rxa6	—
ASB3C	data_rxa5	—
ASB3D	data_rxa4	—
ASB4A	data_rxa3	—
ASB4B	data_rxa2	—
ASB4C	data_rxa1	—
ASB4D	data_rxa0	—
ASB5A	data_rxa_par	prot_sw_a
ASB5B	data_rxa_spe	—
ASB5C	data_rxa_c1j1	—
ASB5D	data_rxa_en	—
ASB6A	data_rxb7	—
ASB6B	data_rxb6	—
ASB6C	data_rxb5	—
ASB6D	data_rxb4	—
ASB7A	data_rxb3	—
ASB7B	data_rxb2	—
ASB7C	data_rxb1	—
ASB7D	data_rxb0	—
ASB8A	data_rxb_par	—
ASB8B	data_rxb_spe	—
ASB8C	data_rxb_c1j1	—
ASB8D	data_rxb_en	—
ASB9A	data_rxc7	—
ASB9B	data_rxc6	—
ASB9C	data_rxc5	—
ASB9D	data_rxc4	—
ASB10A	data_rxc3	—
ASB10B	data_rxc2	—

Embedded Core/FPGA Interface Site	FPGA Input Signal	FPGA Output Signal
ASB10C	data_rxc1	—
ASB10D	data_rxc0	—
ASB11A	data_rxc_par	prot_sw_c
ASB11B	data_rxc_spe	—
ASB11C	data_rxc_c1j1	—
ASB11D	data_rxc_en	—
ASB12A	data_rxd7	—
ASB12B	data_rxd6	—
ASB12C	data_rxd5	—
ASB12D	data_rxd4	—
ASB13A	data_rxd3	—
ASB13B	data_rxd2	—
ASB13C	data_rxd1	—
ASB13D	data_rxd0	—
ASB14A	data_rxd_par	line_fp
ASB14B	data_rxd_spe	sys_fp
ASB14C	data_rxd_c1j1	—
ASB14D	data_rxd_en	—
ASB15A	fifosync_fp	data_txa7
ASB15B	—	data_txa6
ASB15C	—	data_txa5
ASB15D	—	data_txa4
ASB16A	—	data_txa3
ASB16B	—	data_txa2
ASB16C	—	data_txa1
ASB16D	—	data_txa0
ASB17A	—	data_txb7
ASB17B	—	data_txb6
ASB17C	—	data_txb5
ASB17D	—	data_txb4
ASB18A	—	data_txb3
ASB18B	—	data_txb2
ASB18C	—	data_txb1
ASB18D	—	data_txb0
ASB19A	—	data_txa_par
ASB19B	—	data_txb_par
ASB19C	—	data_txc_par
ASB19D	—	data_txd_par
ASB20A	—	data_txc7

Pin Information (continued)

Table 42. Embedded Core/FPGA Interface Signal Locations (continued)

Embedded Core/FPGA Interface Site	FPGA Input Signal	FPGA Output Signal
ASB20B	—	data_txc6
ASB20C	—	data_txc5
ASB20D	—	data_txc4
ASB21A	—	data_txc3
ASB21B	—	data_txc2
ASB21C	—	data_txc1
ASB21D	—	data_txc0
ASB22A	—	data_txd7
ASB22B	—	data_txd6
ASB22C	—	data_txd5
ASB22D	—	data_txd4
ASB23A	—	data_txd3
ASB23B	—	data_txd2
ASB23C	—	data_txd1
ASB23D	—	data_txd0
ASB24A	cpu_data_rx7	cpu_data_tx7
ASB24B	cpu_data_rx6	cpu_data_tx6
ASB24C	cpu_data_rx5	cpu_data_tx5

Embedded Core/FPGA Interface Site	FPGA Input Signal	FPGA Output Signal
ASB24D	cpu_data_rx4	cpu_data_tx4
ASB25A	cpu_data_rx3	cpu_data_tx3
ASB25B	cpu_data_rx2	cpu_data_tx2
ASB25C	cpu_data_rx1	cpu_data_tx1
ASB25D	cpu_data_rx0	cpu_data_tx0
ASB26A	cpu_int_n	cpu_addr6
ASB26B	—	cpu_addr5
ASB26C	—	cpu_addr4
ASB26D	core_ready	cpu_addr3
ASB27A	—	cpu_addr2
ASB27B	—	cpu_addr1
ASB27C	—	cpu_addr0
ASB27D	—	cpu_rd_wr_n
ASB28A	cdr_clk_a	cpu_cs_n
ASB28B	cdr_clk_b	—
ASB28C	cdr_clk_c	—
ASB28D	cdr_clk_d	—
BMLKCNTL	fpga_sysclk	—

**Pin Information** (continued)

The ORT4622 is pin compatible with a Series 3 OR3L125B device in the same package in terms of VDD, VSS, configuration, and special function pins. The uses and characteristics of the FPGA user I/O pins in the embedded core area of the device have changed to support the ORT4622 functionality. Additionally, the lower-left programmable clock manager (PCM) clock input pin (SECKLL) has been relocated. A "—" indicates the pin is not used and must be left unconnected (cannot be tied to VDD or VSS).

**Table 43. 432-Pin EBGA Pinout**

Pin	ORT4622 Pad	Function
E4	PRD_CFGN	$\overline{RD\_CFG}$
D3	PR1D	I/O
D2	PR1C	I/O
D1	PR1B	I/O
F4	PR1A	I/O
E3	PR2D	I/O
E2	PR2C	I/O
E1	PR2B	I/O
F3	PR2A	I/O
F2	PR3D	I/O
F1	PR3C	I/O
H4	PR3B	I/O
G3	PR3A	$I/O-\overline{WR}$
G2	PR4D	I/O
G1	PR4C	I/O
J4	PR4B	I/O
H3	VDD2	VDD2
H2	PR5A	I/O
J3	PR6C	I/O
K4	PR6A	I/O
J2	PR7A	$I/O-\overline{RD}/\overline{MPI\_STRB}$
J1	PR8D	I/O
K3	PR8C	I/O
K2	PR8B	I/O
K1	PR8A	I/O
L3	PR9D	I/O
M4	PR9C	I/O
L2	PR9B	I/O
L1	PR9A	$I/O-\overline{CS0}$
M3	PR10D	I/O
N4	PR10A	I/O
M2	PR11D	I/O
N3	PR11A	$I/O-\overline{CS1}$
N2	PR12D	I/O
P4	PR12C	I/O
N1	PR12A	I/O
P3	PR13D	I/O
P2	PR13C	I/O

Pin	ORT4622 Pad	Function
P1	VDD2	VDD2
R3	PR14D	I/O
R2	PR14C	I/O
R1	PR14B	I/O
T2	PECKR	I/O-ECKR
T4	PR15D	I/O
T3	PR15C	I/O
U1	PR15B	I/O
U2	PR15A	I/O
U3	PR16D	I/O
V1	PR16B	I/O
V2	PR16A	I/O
V3	PR17D	I/O
W1	PR17A	I/O-M3
V4	PR18D	I/O
W2	PR18B	I/O
W3	PR18A	I/O
Y2	—	—
W4	PR19A	M2
Y3	—	—
AA1	—	—
AA2	—	—
Y4	—	—
AA3	VDD2	VDD2
AB1	—	—
AB2	—	—
AB3	—	—
AC1	—	M1
AC2	—	—
AB4	—	—
AC3	—	—
AD2	—	—
AD3	—	—
AC4	—	—
AE1	—	db3 (core)
AE2	—	db2 (core)
AE3	—	db1 (core)
AD4	—	db0 (core)

Pin Information (continued)

Table 43. 432-Pin EPGA Pinout (continued)

Pin	ORT4622 Pad	Function
AF1	—	db7 (core)
AF2	—	db6 (core)
AF3	—	db5 (core)
AG1	—	db4 (core)
AG2	V <sub>DD2</sub>	V <sub>DD2</sub>
AG3	—	int_n (core)
AF4	—	—
AH1	—	rst_n (core)
AH2	—	M0
AH3	PPRGMN	$\overline{\text{PRGM}}$
AG4	PRESETN	$\overline{\text{RESET}}$
AH5	PDONE	DONE
AJ4	—	rd_wr_n (core)
AK4	—	cs_n (core)
AL4	—	addr0 (core)
AH6	—	addr1 (core)
AJ5	—	addr2 (core)
AK5	—	addr3 (core)
AL5	—	addr4 (core)
AJ6	—	addr5 (core)
AK6	—	addr6 (core)
AL6	—	tstmux0s (core)
AH8	—	tstmux1s (core)
AJ7	—	tstmux2s (core)
AK7	—	tstmux4s (core)
AL7	—	tstmux7s (core)
AH9	—	tstmux3s (core)
AJ8	V <sub>DD2</sub>	V <sub>DD2</sub>
AK8	—	tstmux6s (core)
AJ9	—	tstmux5s (core)
AH10	—	tstmux8s (core)
AK9	—	$\overline{\text{INIT}}$
AL9	—	tstphase (core)
AJ10	—	loopbken (core)
AK10	—	exdnup (core)
AL10	—	ecsel (core)
AJ11	—	etoggle (core)
AH12	—	resett_n (core)
AK11	—	mreset (core)

Pin	ORT4622 Pad	Function
AL11	—	$\overline{\text{LDC}}$
AJ12	—	tstshftld (core)
AH13	—	resetrn (core)
AK12	—	tstclk (core)
AJ13	—	bypass (core)
AK13	—	tstmode (core)
AH14	—	HDC
AL13	—	—
AJ14	—	—
AK14	—	sys_clk (core)
AL14	—	—
AJ15	V <sub>DD2</sub>	V <sub>DD2</sub>
AK15	—	sts_outd (core)
AL15	—	sts_outdn (core)
AK16	—	—
AH16	PECKB	sts_outc (core)
AJ16	—	sts_outcn (core)
AL17	—	reslo (core)
AK17	—	reshi (core)
AJ17	—	—
AL18	—	ref14 (core)
AK18	—	ref10 (core)
AJ18	—	rext (core)
AL19	—	pll_VssA (core)
AH18	—	pll_VDDA (core)
AK19	—	sts_outb (core)
AJ19	—	sts_outbn (core)
AK20	—	—
AH19	—	sts_outa (core)
AJ20	—	sts_outan (core)
AL21	V <sub>DD2</sub>	V <sub>DD2</sub>
AK21	—	ctap_refd (core)
AH20	—	sts_ind (core)
AJ21	—	sts_indn (core)
AL22	—	sts_inc (core)
AK22	—	sts_incn (core)
AJ22	—	ctap_refc (core)
AL23	—	sts_inb (core)
AK23	—	sts_inbn (core)

Pin Information (continued)

Table 43. 432-Pin EPGA Pinout (continued)

Pin	ORT4622 Pad	Function
AH22	—	ctap_refb (core)
AJ23	—	sts_ina (core)
AK24	—	sts_inan (core)
AJ24	—	ctap_refa (core)
AH23	—	—
AL25	—	—
AK25	—	—
AJ25	—	lvds_en (core)
AH24	—	scan_tstmd (core)
AL26	—	scanen (core)
AK26	—	dxp (core)
AJ26	—	dxn (core)
AL27	V <sub>DD2</sub>	V <sub>dd2</sub>
AK27	—	sys_dobist (core)
AJ27	—	sys_rssigo (core)
AH26	—	bc (core)
AL28	—	—
AK28	—	—
AJ28	—	—
AH27	—	—
AG28	PCCLK	CCLK
AH29	—	—
AH30	—	—
AH31	—	—
AF28	—	—
AG29	—	—
AG30	—	—
AG31	—	—
AF29	—	—
AF30	—	—
AF31	—	—
AD28	—	—
AE29	V <sub>DD2</sub>	V <sub>DD2</sub>
AE30	—	—
AE31	—	—
AC28	—	—
AD29	—	—
AD30	—	—
AC29	—	—
AB28	—	—

Pin	ORT4622 Pad	Function
AC30	—	—
AC31	—	—
AB29	—	—
AB30	—	—
AB31	—	—
AA29	—	—
Y28	—	—
AA30	—	—
AA31	—	—
Y29	—	MPI_IRQ
W28	—	—
Y30	PL18A	I/O-SECKLL
W29	PL18C	I/O
W30	PL18D	I/O
V28	PL17A	I/O-MPI_BI
W31	PL17C	I/O
V29	PL17D	I/O
V30	PL16A	I/O
V31	PL16C	I/O
U29	PL16D	I/O
U30	PL15A	I/O-MPI_RW
U31	PL15B	I/O
T30	V <sub>DD2</sub>	V <sub>DD2</sub>
T28	PL15D	I/O
T29	PL14A	I/O-MPI_CLK
R31	PL14B	I/O
R30	PL14C	I/O
R29	PECKL	I/O-ECKL
P31	PL13A	I/O
P30	PL13D	I/O
P29	PL12A	I/O
N31	PL12C	I/O
P28	PL12D	I/O
N30	PL11A	I/O-A4
N29	PL11C	I/O
M30	PL11D	I/O
N28	PL10A	I/O
M29	PL10C	I/O
L31	V <sub>DD2</sub>	V <sub>DD2</sub>
L30	PL9A	I/O-A3

Pin Information (continued)

Table 43. 432-Pin EPGA Pinout (continued)

Pin	ORT4622 Pad	Function
M28	PL9B	I/O
L29	PL9C	I/O
K31	PL9D	I/O
K30	PL8A	I/O-A2
K29	PL8B	I/O
J31	PL8C	I/O
J30	PL8D	I/O
K28	PL7D	I/O-A1/ $\overline{\text{MPI\_BE1}}$
J29	PL6B	I/O
H30	PL6C	I/O
H29	PL6D	I/O
J28	PL5D	I/O
G31	PL4B	I/O
G30	PL4C	I/O
G29	V <sub>DD2</sub>	V <sub>DD2</sub>
H28	PL3A	I/O
F31	PL3B	I/O
F30	PL3C	I/O
F29	PL3D	I/O
E31	PL2A	I/O
E30	PL2B	I/O
E29	PL2C	I/O
F28	PL2D	I/O-A0/ $\overline{\text{MPI\_BE0}}$
D31	PL1A	I/O
D30	PL1B	I/O
D29	PL1C	I/O
E28	PL1D	I/O
D27	PRD_DATA	RD_DATA/TDO
C28	PT1A	I/O-TCK
B28	PT1B	I/O
A28	PT1C	I/O
D26	PT1D	I/O
C27	PT2A	I/O
B27	PT2B	I/O
A27	PT2C	I/O
C26	PT2D	I/O
B26	PT3A	I/O
A26	PT3B	I/O
D24	PT3C	I/O

Pin	ORT4622 Pad	Function
C25	PT3D	I/O
B25	PT4A	I/O-TMS
A25	PT4B	I/O
D23	PT4C	I/O
C24	PT4D	I/O
B24	V <sub>DD2</sub>	V <sub>DD2</sub>
C23	PT5B	I/O
D22	PT5C	I/O
B23	PT5D	I/O
A23	PT6A	I/O-TDI
C22	PT6D	I/O
B22	PT7A	I/O
A22	PT7D	I/O
C21	PT8A	I/O
D20	PT8D	I/O
B21	PT9A	I/O
A21	PT9D	I/O
C20	PT10A	I/O-DOUT
D19	PT10D	I/O
B20	PT11A	I/O
C19	PT11C	I/O
B19	PT11D	I/O
D18	PT12A	I/O-D0/DIN
A19	PT12C	I/O
C18	PT12D	I/O
B18	PT13A	I/O
A18	PT13C	I/O
C17	PT13D	I/O-D1
B17	PT14A	I/O-D2
A17	V <sub>DD2</sub>	V <sub>DD2</sub>
B16	PT14C	I/O
D16	PT14D	I/O
C16	PT15A	I/O-D3
A15	PT15B	I/O
B15	PT15C	I/O
C15	PECKT	I/O-ECKT
A14	PT16A	I/O-D4
B14	PT16B	I/O
C14	PT16D	I/O



Pin Information (continued)

Table 43. 432-Pin EPGA Pinout (continued)

Pin	ORT4622 Pad	Function
A13	PT17A	I/O
D14	PT17B	I/O
B13	PT17D	I/O
C13	PT18A	I/O-D5
B12	PT18B	I/O
D13	V <sub>DD2</sub>	V <sub>DD2</sub>
C12	PT19A	I/O
A11	PT19D	I/O
B11	PT20A	I/O
D12	PT20D	I/O-D6
C11	PT21A	I/O
A10	PT21D	I/O
B10	PT22D	I/O
C10	PT23B	I/O
A9	PT23C	I/O
B9	V <sub>DD2</sub>	V <sub>DD2</sub>
D10	PT24A	I/O
C9	PT24B	I/O
B8	PT24C	I/O
C8	PT24D	I/O-D7
D9	PT25A	I/O
A7	PT25B	I/O
B7	PT25C	I/O
C7	PT25D	I/O
D8	PT26A	I/O
A6	PT26B	I/O
B6	PT26C	I/O
C6	PT26D	I/O
A5	PT27A	I/O-RDY/RCLK
B5	PT27B	I/O
C5	PT27C	I/O
D6	PT27D	I/O
A4	PT28A	I/O
B4	PT28B	I/O
C4	PT28C	I/O
D5	PT28D	I/O-SECKUR
A12	V <sub>SS</sub>	V <sub>SS</sub>
A16	V <sub>SS</sub>	V <sub>SS</sub>
A2	V <sub>SS</sub>	V <sub>SS</sub>
A20	V <sub>SS</sub>	V <sub>SS</sub>
A24	V <sub>SS</sub>	V <sub>SS</sub>
A29	V <sub>SS</sub>	V <sub>SS</sub>

Pin	ORT4622 Pad	Function
A3	V <sub>SS</sub>	V <sub>SS</sub>
A30	V <sub>SS</sub>	V <sub>SS</sub>
A8	V <sub>SS</sub>	V <sub>SS</sub>
AD1	V <sub>SS</sub>	V <sub>SS</sub>
AD31	V <sub>SS</sub>	V <sub>SS</sub>
AJ1	V <sub>SS</sub>	V <sub>SS</sub>
AJ2	V <sub>SS</sub>	V <sub>SS</sub>
AJ30	V <sub>SS</sub>	V <sub>SS</sub>
AJ31	V <sub>SS</sub>	V <sub>SS</sub>
AK1	V <sub>SS</sub>	V <sub>SS</sub>
AK29	V <sub>SS</sub>	V <sub>SS</sub>
AK3	V <sub>SS</sub>	V <sub>SS</sub>
AK31	V <sub>SS</sub>	V <sub>SS</sub>
AL12	V <sub>SS</sub>	V <sub>SS</sub>
AL16	V <sub>SS</sub>	V <sub>SS</sub>
AL2	V <sub>SS</sub>	V <sub>SS</sub>
AL20	V <sub>SS</sub>	V <sub>SS</sub>
AL24	V <sub>SS</sub>	V <sub>SS</sub>
AL29	V <sub>SS</sub>	V <sub>SS</sub>
AL3	V <sub>SS</sub>	V <sub>SS</sub>
AL30	V <sub>SS</sub>	V <sub>SS</sub>
AL8	V <sub>SS</sub>	V <sub>SS</sub>
B1	V <sub>SS</sub>	V <sub>SS</sub>
B29	V <sub>SS</sub>	V <sub>SS</sub>
B3	V <sub>SS</sub>	V <sub>SS</sub>
B31	V <sub>SS</sub>	V <sub>SS</sub>
C1	V <sub>SS</sub>	V <sub>SS</sub>
C2	V <sub>SS</sub>	V <sub>SS</sub>
C30	V <sub>SS</sub>	V <sub>SS</sub>
C31	V <sub>SS</sub>	V <sub>SS</sub>
H1	V <sub>SS</sub>	V <sub>SS</sub>
H31	V <sub>SS</sub>	V <sub>SS</sub>
M1	V <sub>SS</sub>	V <sub>SS</sub>
M31	V <sub>SS</sub>	V <sub>SS</sub>
T1	V <sub>SS</sub>	V <sub>SS</sub>
T31	V <sub>SS</sub>	V <sub>SS</sub>
Y1	V <sub>SS</sub>	V <sub>SS</sub>
Y31	V <sub>SS</sub>	V <sub>SS</sub>
A1	V <sub>DD</sub>	V <sub>DD</sub>
A31	V <sub>DD</sub>	V <sub>DD</sub>
AA28	V <sub>DD</sub>	V <sub>DD</sub>
AA4	V <sub>DD</sub>	V <sub>DD</sub>

**Pin Information** (continued)

**Table 43. 432-Pin EPGA Pinout** (continued)

Pin	ORT4622 Pad	Function
AE28	V <sub>DD</sub>	V <sub>DD</sub>
AE4	V <sub>DD</sub>	V <sub>DD</sub>
AH11	V <sub>DD</sub>	V <sub>DD</sub>
AH15	V <sub>DD</sub>	V <sub>DD</sub>
AH17	V <sub>DD</sub>	V <sub>DD</sub>
AH21	V <sub>DD</sub>	V <sub>DD</sub>
AH25	V <sub>DD</sub>	V <sub>DD</sub>
AH28	V <sub>DD</sub>	V <sub>DD</sub>
AH4	V <sub>DD</sub>	V <sub>DD</sub>
AH7	V <sub>DD</sub>	V <sub>DD</sub>
AJ29	V <sub>DD</sub>	V <sub>DD</sub>
AJ3	V <sub>DD</sub>	V <sub>DD</sub>
AK2	V <sub>DD</sub>	V <sub>DD</sub>
AK30	V <sub>DD</sub>	V <sub>DD</sub>
AL1	V <sub>DD</sub>	V <sub>DD</sub>
AL31	V <sub>DD</sub>	V <sub>DD</sub>
B2	V <sub>DD</sub>	V <sub>DD</sub>
B30	V <sub>DD</sub>	V <sub>DD</sub>

Pin	ORT4622 Pad	Function
C29	V <sub>DD</sub>	V <sub>DD</sub>
C3	V <sub>DD</sub>	V <sub>DD</sub>
D11	V <sub>DD</sub>	V <sub>DD</sub>
D15	V <sub>DD</sub>	V <sub>DD</sub>
D17	V <sub>DD</sub>	V <sub>DD</sub>
D21	V <sub>DD</sub>	V <sub>DD</sub>
D25	V <sub>DD</sub>	V <sub>DD</sub>
D28	V <sub>DD</sub>	V <sub>DD</sub>
D4	V <sub>DD</sub>	V <sub>DD</sub>
D7	V <sub>DD</sub>	V <sub>DD</sub>
G28	V <sub>DD</sub>	V <sub>DD</sub>
G4	V <sub>DD</sub>	V <sub>DD</sub>
L28	V <sub>DD</sub>	V <sub>DD</sub>
L4	V <sub>DD</sub>	V <sub>DD</sub>
R28	V <sub>DD</sub>	V <sub>DD</sub>
R4	V <sub>DD</sub>	V <sub>DD</sub>
U28	V <sub>DD</sub>	V <sub>DD</sub>
U4	V <sub>DD</sub>	V <sub>DD</sub>

Pin Information (continued)

Table 44. 680-Pin PBGM Pinout

Pin	ORT4622 Pad	Function
D1	PL1D	I/O
E2	—	—
E1	—	—
F4	PL1C	I/O
F3	PL1B	I/O
F2	PL1A	I/O
F1	PL2D	I/O-A0/MPI_BE0
G5	PL2C	I/O
G4	PL2B	I/O
G2	PL2A	I/O
G1	PL3D	I/O
H5	PL3C	I/O
H4	PL3B	I/O
H2	PL3A	I/O
H1	PL4C	I/O
J5	PL4B	I/O
J4	PL4A	I/O
J3	PL5D	I/O
J2	PL5C	I/O
J1	PL5B	I/O
K5	PL5A	I/O
K4	PL6D	I/O
K3	PL6C	I/O
K2	PL6B	I/O
K1	PL6A	I/O
L5	PL7D	I/O-A1/MPI_BE1
L4	PL7C	I/O
L2	PL7B	I/O
L1	PL7A	I/O
M5	PL8D	I/O
M4	PL8C	I/O
M2	PL8B	I/O
M1	PL8A	I/O-A2
N5	PL9D	I/O
N4	PL9C	I/O
N3	PL9B	I/O
N2	PL9A	I/O-A3
N1	PL10C	I/O
P5	PL10B	I/O
P4	PL10A	I/O
P3	PL11D	I/O
P2	PL11C	I/O
P1	PL11B	I/O

Pin	ORT4622 Pad	Function
R5	PL11A	I/O-A4
R4	PL12D	I/O-A5
R2	PL12C	I/O
R1	PL12B	I/O
T5	PL13D	I/O
T4	PL13C	I/O
T2	PL13B	I/O
T1	PL13A	I/O
U5	PECKL	I/O-ECKL
U4	—	—
U3	PL14C	I/O
U2	PL14B	I/O
U1	PL14A	I/O-MPI_CLK
V1	PL15D	I/O
V2	PL15B	I/O
V3	PL15A	I/O-MPI_RW
V4	PL16D	I/O-MPI_ACK
V5	PL16C	I/O
W1	PL16B	I/O
W2	PL16A	I/O
W4	PL17D	I/O
W5	PL17C	I/O
Y1	PL17B	I/O
Y2	PL17A	I/O-MPI_BI
Y4	PL18D	I/O
Y5	PL18C	I/O
AA1	PL18B	I/O
AA2	PL18A	I/O-SECKLL
AA3	—	—
AA4	—	—
AA5	—	—
AB1	—	$\overline{\text{MPI\_IRQ}}$
AB2	—	—
AB3	—	—
AB4	—	—
AB5	—	—
AC1	—	—
AC2	—	—
AC4	—	—
AC5	—	—
AD1	—	—
AD2	—	—
AD4	—	—

Pin Information (continued)

Table 44. 680-Pin PBGAM Pinout (continued)

Pin	ORT4622 Pad	Function
AD5	—	—
AE1	—	—
AE2	—	—
AE3	—	—
AE4	—	—
AE5	—	—
AF1	—	—
AF2	—	—
AF3	—	—
AF4	—	—
AF5	—	—
AG1	—	—
AG2	—	—
AG4	—	—
AG5	—	—
AH1	—	—
AH2	—	—
AH4	—	—
AH5	—	—
AJ1	—	—
AJ2	—	—
AJ3	—	—
AJ4	—	—
AK1	—	—
AK2	—	—
AL1	PCCLK	CCLK
AP4	—	—
AN5	—	—
AP5	—	—
AL6	—	—
AM6	—	—
AN6	—	—
AP6	—	bc (core)
AK7	—	sys_rssigo (core)
AL7	—	sys_dobist (core)
AN7	—	dxn (core)
AP7	—	dxp (core)
AK8	—	scanen (core)
AL8	—	scan_tstmd (core)
AN8	—	lvds_en (core)
AP8	—	—
AK9	—	—
AL9	—	—

Pin	ORT4622 Pad	Function
AM9	—	ctap_refa (core)
AP16	—	—
AK17	—	ref14 (core)
AL17	—	—
AM17	—	reshi (core)
AN17	—	—
AP17	—	reslo (core)
AP18	—	sts_outcn (core)
AN18	—	sts_outc (core)
AN9	—	sts_inan (core)
AP9	—	sts_ina (core)
AK10	—	ctap_refb (core)
AL10	—	sts_inbn (core)
AM10	—	sts_inb (core)
AN10	—	—
AP10	—	—
AK11	—	ctap_refc (core)
AL11	—	—
AN11	—	—
AP11	—	—
AK12	—	sts_incn (core)
AL12	—	sts_inc (core)
AN12	—	sts_indn (core)
AP12	—	sts_ind (core)
AK13	—	—
AL13	—	—
AM13	—	—
AN13	—	ctap_refd (core)
AP13	—	—
AK14	—	sts_outan (core)
AL14	—	sts_outa (core)
AM14	—	—
AN14	—	sts_outbn (core)
AP14	—	sts_outb (core)
AK15	—	—
AL15	—	pll_vdda (core)
AN15	—	—
AP15	—	—
AK16	—	pll_vssa (core)
AL16	—	rext (core)
AN16	—	ref10 (core)
AM18	—	—
AL18	—	sts_outdn (core)

Pin Information (continued)

Table 44. 680-Pin PBGM Pinout (continued)

Pin	ORT4622 Pad	Function
AK18	—	sts_outd (core)
AP19	—	—
AN19	—	—
AL19	—	—
AK19	—	sys_clk (core)
AP20	—	—
AN20	—	—
AL20	—	—
AK20	—	hdc (core)
AP21	—	tstmode (core)
AN21	—	—
AM21	—	bypass (core)
AL21	—	tstclk (core)
AK21	—	resetrn (core)
AP22	—	tstshfld (core)
AN22	—	LDC
AM22	—	—
AL22	—	—
AK22	—	mreset (core)
AP23	—	resetrn (core)
AN23	—	—
AL23	—	—
AK23	—	etoggle (core)
AP24	—	ecsel (core)
AN24	—	—
AL24	—	—
AK24	—	—
AN25	—	—
AP25	—	exdnup (core)
AM25	—	loopbken (core)
AL25	—	tstphase (core)
AK25	—	$\overline{\text{INIT}}$
AP26	—	tstmux8s (core)
AN26	—	tstmux5s (core)
AM26	—	tstmux6s (core)
AL26	—	tstmux3s (core)
AK26	—	tstmux7s (core)
AP27	—	tstmux4s (core)
AN27	—	tstmux2s (core)
AL27	—	tstmux1s (core)
AK27	—	tstmux0s (core)
AP28	—	addr6 (core)
AN28	—	addr5 (core)

Pin	ORT4622 Pad	Function
AL28	—	addr4 (core)
AK28	—	addr3 (core)
AP29	—	addr2 (core)
AN29	—	addr1 (core)
AM29	—	addr0 (core)
AL29	—	—
AP30	—	cs_n (core)
AN30	—	rd_wr_n (core)
AP31	PDONE	DONE
AL34	PRESETN	$\overline{\text{RESET}}$
AK33	PPRGMN	$\overline{\text{PRGM}}$
AK34	—	M0
AJ31	—	rst_n (core)
AJ32	—	—
AJ33	—	int_n (core)
AJ34	—	db4 (core)
AH30	—	db5 (core)
AH31	—	db6 (core)
AH33	—	db7 (core)
AH34	—	db0 (core)
AG30	—	db1 (core)
AG31	—	db2 (core)
AG33	—	db3 (core)
AG34	—	—
AF30	—	—
AF31	—	—
AF32	—	—
AF33	—	—
AF34	—	—
AE30	—	—
AE31	—	—
AE32	—	—
AE33	—	—
AE34	—	—
AD30	—	—
AD31	—	—
AD33	—	—
AD34	—	M1
AC30	—	—
AC31	—	—
AC33	—	—
AC34	—	—
AB30	—	—

Pin Information (continued)

Table 44. 680-Pin PBGAM Pinout (continued)

Pin	ORT4622 Pad	Function
AB31	—	—
AB32	—	—
AB33	—	M2
AB34	—	—
AA30	—	—
AA31	—	—
AA32	PR18A	I/O
AA33	PR18B	I/O
AA34	PR18C	I/O
Y30	PR18D	I/O
Y31	PR17A	I/O-M3
Y33	PR17B	I/O
Y34	PR17C	I/O
W30	PR17D	I/O
W31	PR16A	I/O
W33	PR16B	I/O
W34	PR16C	I/O
V30	PR15A	I/O
V31	—	—
V32	PR15B	I/O
V33	PR15C	I/O
V34	PR15D	I/O
U34	PECKR	I/O-ECKR
U33	PR14B	I/O
U32	PR14C	I/O
U31	PR14D	I/O
U30	PR13B	I/O
T34	PR13C	I/O
T33	PR13D	I/O
T31	PR12A	I/O
T30	PR12B	I/O
R34	PR12C	I/O
R33	PR12D	I/O
R31	PR11A	I/O-CS1
R30	PR11B	I/O
P34	PR11C	I/O
P33	PR11D	I/O
P32	PR10A	I/O
P31	PR10B	I/O
P30	PR10C	I/O
N34	PR9A	I/O-CS0
N33	PR9B	I/O
N32	PR9C	I/O

Pin	ORT4622 Pad	Function
N31	PR9D	I/O
N30	PR8A	I/O
M34	PR8B	I/O
M33	PR8C	I/O
M31	PR8D	I/O
M30	PR7A	I/O-RD/MPI_STRB
L34	PR7B	I/O
L33	PR7C	I/O
L31	PR7D	I/O
L30	PR6A	I/O
K34	PR6B	I/O
K33	PR6C	I/O
K32	PR6D	I/O
K31	PR5A	I/O
K30	PR5B	I/O
J34	PR5C	I/O
J33	PR5D	I/O
J32	PR4B	I/O
J31	PR4C	I/O
J30	PR4D	I/O
H34	PR3A	I/O-WR
H33	PR3B	I/O
H31	PR3C	I/O
H30	PR3D	I/O
G34	PR2A	I/O
G33	PR2B	I/O
G31	PR2C	I/O
G30	PR2D	I/O
F34	PR1A	I/O
F33	—	—
F32	PR1B	I/O
F31	PR1C	I/O
E34	—	—
E33	PR1D	I/O
D34	PRD_CFGN	RD_CFG
A31	PT28D	I/O-SECKUR
B30	—	—
A30	PT28C	I/O
D29	—	—
C29	PT28B	I/O
B29	PT28A	I/O
A29	PT27D	I/O
E28	PT27C	I/O

**Pin Information** (continued)

**Table 44. 680-Pin PBGAM Pinout** (continued)

Pin	ORT4622 Pad	Function
D28	PT27B	I/O
B28	PT27A	I/O-RDY/RCLK
A28	PT26D	I/O
E27	PT26C	I/O
D27	PT26B	I/O
B27	PT26A	I/O
A27	PT25D	I/O
E26	PT25C	I/O
D26	PT25B	I/O
C26	PT25A	I/O
B26	PT24D	I/O-D7
A26	PT24C	I/O
E25	PT24B	I/O
D25	PT24A	I/O
C25	PT23C	I/O
B25	PT23B	I/O
A25	PT23A	I/O
E24	PT22D	I/O
D24	PT22C	I/O
B24	PT22B	I/O
A24	PT22A	I/O
E23	PT21D	I/O
D23	PT21C	I/O
B23	PT21B	I/O
A23	PT21A	I/O
E22	PT20D	I/O-D6
D22	PT20C	I/O
C22	PT20B	I/O
B22	PT20A	I/O
A22	PT19D	I/O
E21	PT19C	I/O
D21	PT19B	I/O
C21	PT19A	I/O
B21	PT18C	I/O
A21	PT18B	I/O
E20	PT18A	I/O-D5
D20	PT17D	I/O
B20	PT17C	I/O
A20	PT17B	I/O
E19	PT17A	I/O
D19	PT16D	I/O
B19	PT16C	I/O
A19	PT16B	I/O

Pin	ORT4622 Pad	Function
E18	PT16A	I/O-D4
D18	PECKT	I/O-ECKT
C18	PT15B	I/O
B18	—	—
A18	PT15A	I/O-D3
A17	PT14D	I/O
B17	PT14C	I/O
C17	PT14A	I/O-D2
D17	PT13D	I/O-D1
E17	PT13C	I/O
A16	PT13B	I/O
B16	PT13A	I/O
D16	PT12D	I/O
E16	PT12C	I/O
A15	PT12B	I/O
B15	PT12A	I/O-D0/DIN
D15	PT11D	I/O
E15	PT11C	I/O
A14	PT11B	I/O
B14	PT11A	I/O
C14	PT10D	I/O
D14	PT10C	I/O
E14	PT10B	I/O
A13	PT10A	I/O-DOOUT
B13	PT9C	I/O
C13	PT9B	I/O
D13	PT9A	I/O
E13	PT8D	I/O
A12	PT8C	I/O
B12	PT8B	I/O
D12	PT8A	I/O
E12	PT7D	I/O
A11	PT7C	I/O
B11	PT7B	I/O
D11	PT7A	I/O
E11	PT6D	I/O
A10	PT6C	I/O
B10	PT6B	I/O
C10	PT6A	I/O-TDI
D10	PT5D	I/O
E10	PT5C	I/O
A9	PT5B	I/O
B9	PT4D	I/O

Pin Information (continued)

Table 44. 680-Pin PBGAM Pinout (continued)

Pin	ORT4622 Pad	Function
C9	PT4C	I/O
D9	PT4B	I/O
E9	PT4A	I/O-TMS
A8	PT3D	I/O
B8	PT3C	I/O
D8	PT3B	I/O
E8	PT3A	I/O
A7	PT2D	I/O
B7	PT2C	I/O
D7	PT2B	I/O
E7	PT2A	I/O
A6	PT1D	I/O
B6	—	—
C6	PT1C	I/O
D6	PT1B	I/O
A5	—	—
B5	PT1A	I/O-TCK
A4	PRD_DATA	RD_DATA/TDO
A1	Vss	Vss
A2	Vss	Vss
A33	Vss	Vss
A34	Vss	Vss
B1	Vss	Vss
B2	Vss	Vss
B33	Vss	Vss
B34	Vss	Vss
C3	Vss	Vss
C8	Vss	Vss
C12	Vss	Vss
C16	Vss	Vss
C19	Vss	Vss
C23	Vss	Vss
C27	Vss	Vss
C32	Vss	Vss
D4	Vss	Vss
D31	Vss	Vss
H3	Vss	Vss
H32	Vss	Vss
M3	Vss	Vss
M32	Vss	Vss
N13	Vss	Vss
N14	Vss	Vss
N15	Vss	Vss

Pin	ORT4622 Pad	Function
N20	Vss	Vss
N21	Vss	Vss
N22	Vss	Vss
P13	Vss	Vss
P14	Vss	Vss
P15	Vss	Vss
P20	Vss	Vss
P21	Vss	Vss
P22	Vss	Vss
R13	Vss	Vss
R14	Vss	Vss
R15	Vss	Vss
R20	Vss	Vss
R21	Vss	Vss
R22	Vss	Vss
T3	Vss	Vss
T16	Vss	Vss
T17	Vss	Vss
T18	Vss	Vss
T19	Vss	Vss
T32	Vss	Vss
U16	Vss	Vss
U17	Vss	Vss
U18	Vss	Vss
U19	Vss	Vss
V16	Vss	Vss
V17	Vss	Vss
V18	Vss	Vss
V19	Vss	Vss
W3	Vss	Vss
W16	Vss	Vss
W17	Vss	Vss
W18	Vss	Vss
W19	Vss	Vss
W32	Vss	Vss
Y13	Vss	Vss
Y14	Vss	Vss
Y15	Vss	Vss
Y20	Vss	Vss
Y21	Vss	Vss
Y22	Vss	Vss
AA13	Vss	Vss
AA14	Vss	Vss



Pin Information (continued)

Table 44. 680-Pin PBGAM Pinout (continued)

Pin	ORT4622 Pad	Function
AA15	Vss	Vss
AA20	Vss	Vss
AA21	Vss	Vss
AA22	Vss	Vss
AB13	Vss	Vss
AB14	Vss	Vss
AB15	Vss	Vss
AB20	Vss	Vss
AB21	Vss	Vss
AB22	Vss	Vss
AC3	Vss	Vss
AC32	Vss	Vss
AG3	Vss	Vss
AG32	Vss	Vss
AL4	Vss	Vss
AL31	Vss	Vss
AM3	Vss	Vss
AM8	Vss	Vss
AM12	Vss	Vss
AM16	Vss	Vss
AM19	Vss	Vss
AM23	Vss	Vss
AM27	Vss	Vss
AM32	Vss	Vss
AN1	Vss	Vss
AN2	Vss	Vss
AN33	Vss	Vss
AN34	Vss	Vss
AP1	Vss	Vss
AP2	Vss	Vss
AP33	Vss	Vss
AP34	Vss	Vss
C5	VDD2	VDD2
C30	VDD2	VDD2
D5	VDD2	VDD2
D30	VDD2	VDD2
E3	VDD2	VDD2
E4	VDD2	VDD2
E5	VDD2	VDD2
E6	VDD2	VDD2
E29	VDD2	VDD2
E30	VDD2	VDD2
E31	VDD2	VDD2

Pin	ORT4622 Pad	Function
E32	VDD2	VDD2
F5	VDD2	VDD2
F30	VDD2	VDD2
N16	VDD2	VDD2
N17	VDD2	VDD2
N18	VDD2	VDD2
N19	VDD2	VDD2
P16	VDD2	VDD2
P17	VDD2	VDD2
P18	VDD2	VDD2
P19	VDD2	VDD2
R16	VDD2	VDD2
R17	VDD2	VDD2
R18	VDD2	VDD2
R19	VDD2	VDD2
T13	VDD2	VDD2
T14	VDD2	VDD2
T15	VDD2	VDD2
T20	VDD2	VDD2
T21	VDD2	VDD2
T22	VDD2	VDD2
U13	VDD2	VDD2
U14	VDD2	VDD2
U15	VDD2	VDD2
U20	VDD2	VDD2
U21	VDD2	VDD2
U22	VDD2	VDD2
V13	VDD2	VDD2
V14	VDD2	VDD2
V15	VDD2	VDD2
V20	VDD2	VDD2
V21	VDD2	VDD2
V22	VDD2	VDD2
W13	VDD2	VDD2
W14	VDD2	VDD2
W15	VDD2	VDD2
W20	VDD2	VDD2
W21	VDD2	VDD2
W22	VDD2	VDD2
Y16	VDD2	VDD2
Y17	VDD2	VDD2
Y18	VDD2	VDD2
Y19	VDD2	VDD2

**Pin Information** (continued)

**Table 44. 680-Pin PBGAM Pinout** (continued)

Pin	ORT4622 Pad	Function
AA16	VDD2	VDD2
AA17	VDD2	VDD2
AA18	VDD2	VDD2
AA19	VDD2	VDD2
AB16	VDD2	VDD2
AB17	VDD2	VDD2
AB18	VDD2	VDD2
AB19	VDD2	VDD2
AJ5	VDD2	VDD2
AJ30	VDD2	VDD2
AK3	VDD2	VDD2
AK4	VDD2	VDD2
AK5	VDD2	VDD2
AK6	VDD2	VDD2
AK29	VDD2	VDD2
AK30	VDD2	VDD2
AK31	VDD2	VDD2
AK32	VDD2	VDD2
AL5	VDD2	VDD2
AL30	VDD2	VDD2
AM5	VDD2	VDD2
AM30	VDD2	VDD2
A3	VDD	VDD
A32	VDD	VDD
B3	VDD	VDD
B4	VDD	VDD
B31	VDD	VDD
B32	VDD	VDD
C1	VDD	VDD
C2	VDD	VDD
C4	VDD	VDD
C7	VDD	VDD
C11	VDD	VDD
C15	VDD	VDD
C20	VDD	VDD
C24	VDD	VDD
C28	VDD	VDD
C31	VDD	VDD
C33	VDD	VDD

Pin	ORT4622 Pad	Function
C34	VDD	VDD
D2	VDD	VDD
D3	VDD	VDD
D32	VDD	VDD
D33	VDD	VDD
G3	VDD	VDD
G32	VDD	VDD
L3	VDD	VDD
L32	VDD	VDD
R3	VDD	VDD
R32	VDD	VDD
Y3	VDD	VDD
Y32	VDD	VDD
AD3	VDD	VDD
AD32	VDD	VDD
AH3	VDD	VDD
AH32	VDD	VDD
AL2	VDD	VDD
AL3	VDD	VDD
AL32	VDD	VDD
AL33	VDD	VDD
AM1	VDD	VDD
AM2	VDD	VDD
AM4	VDD	VDD
AM7	VDD	VDD
AM11	VDD	VDD
AM15	VDD	VDD
AM20	VDD	VDD
AM24	VDD	VDD
AM28	VDD	VDD
AM31	VDD	VDD
AM33	VDD	VDD
AM34	VDD	VDD
AN3	VDD	VDD
AN4	VDD	VDD
AN31	VDD	VDD
AN32	VDD	VDD
AP3	VDD	VDD
AP32	VDD	VDD

## Package Thermal Characteristics Summary

There are three thermal parameters that are in common use:  $\Theta_{JA}$ ,  $\psi_{JC}$ , and  $\Theta_{JC}$ . It should be noted that all the parameters are affected, to varying degrees, by package design (including paddle size) and choice of materials, the amount of copper in the test board or system board, and system airflow.

### $\Theta_{JA}$

This is the thermal resistance from junction to ambient (theta-JA, R-theta, etc.).

$$\Theta_{JA} = \frac{T_J - T_A}{Q}$$

where  $T_J$  is the junction temperature,  $T_A$  is the ambient air temperature, and  $Q$  is the chip power.

Experimentally,  $\Theta_{JA}$  is determined when a special thermal test die is assembled into the package of interest, and the part is mounted on the thermal test board. The diodes on the test chip are separately calibrated in an oven. The package/board is placed either in a JEDEC natural convection box or in the wind tunnel, the latter for forced convection measurements. A controlled amount of power ( $Q$ ) is dissipated in the test chip's heater resistor, the chip's temperature ( $T_J$ ) is determined by the forward drop on the diodes, and the ambient temperature ( $T_A$ ) is noted. Note that  $\Theta_{JA}$  is expressed in units of °C/watt.

### $\psi_{JC}$

This JEDEC designated parameter correlates the junction temperature to the case temperature. It is generally used to infer the junction temperature while the device is operating in the system. It is not considered a true thermal resistance, and it is defined by:

$$\psi_{JC} = \frac{T_J - T_C}{Q}$$

where  $T_C$  is the case temperature at top dead center,  $T_J$  is the junction temperature, and  $Q$  is the chip power. During the  $\Theta_{JA}$  measurements described above, besides the other parameters measured, an additional temperature reading,  $T_C$ , is made with a thermocouple attached at top-dead-center of the case.  $\psi_{JC}$  is also expressed in units of °C/W.

### $\Theta_{JC}$

This is the thermal resistance from junction to case. It is most often used when attaching a heat sink to the top of the package. It is defined by:

$$\Theta_{JC} = \frac{T_J - T_C}{Q}$$

The parameters in this equation have been defined above. However, the measurements are performed with the case of the part pressed against a water-cooled heat sink to draw most of the heat generated by the chip out the top of the package. It is this difference in the measurement process that differentiates  $\Theta_{JC}$  from  $\psi_{JC}$ .  $\Theta_{JC}$  is a true thermal resistance and is expressed in units of °C/W.

### $\Theta_{JB}$

This is the thermal resistance from junction to board ( $\Theta_{JL}$ ). It is defined by:

$$\Theta_{JB} = \frac{T_J - T_B}{Q}$$

where  $T_B$  is the temperature of the board adjacent to a lead measured with a thermocouple. The other parameters on the right-hand side have been defined above. This is considered a true thermal resistance, and the measurement is made with a water-cooled heat sink pressed against the board to draw most of the heat out of the leads. Note that  $\Theta_{JB}$  is expressed in units of °C/W, and that this parameter and the way it is measured are still in JEDEC committee.

## FPGA Maximum Junction Temperature

Once the power dissipated by the FPGA has been determined (see the Estimating Power Dissipation section), the maximum junction temperature of the FPGA can be found. This is needed to determine if speed derating of the device from the 85 °C junction temperature used in all of the delay tables is needed. Using the maximum ambient temperature,  $T_{Amax}$ , and the power dissipated by the device,  $Q$  (expressed in °C), the maximum junction temperature is approximated by:

$$T_{Jmax} = T_{Amax} + (Q \cdot \Theta_{JA})$$

Table 45 lists the thermal characteristics for all packages used with the ORCA ORT4622 Series of FPGAs.

## Package Thermal Characteristics

Table 45. ORCA ORT4622 Plastic Package Thermal Guidelines

Package	$\Theta_{JA}$ ( $^{\circ}\text{C}/\text{W}$ )			T = 70 $^{\circ}\text{C}$ Max T <sub>J</sub> = 125 $^{\circ}\text{C}$ Max 0 fpm (W)
	0 fpm	200 fpm	500 fpm	
432-Pin EBGA	11	8.5	5	5
680-Pin PBGAM	14.5	TBD	TBD	3.8

## Package Coplanarity

The coplanarity limits of the ORCA Series 3/3+ packages are as follows:

- EBGA: 8.0 mils
- PBGAM: 8.0 mils

## Package Parasitics

The electrical performance of an IC package, such as signal quality and noise sensitivity, is directly affected by the package parasitics. Table 46 lists eight parasitics associated with the ORCA packages. These parasitics represent the contributions of all components of a package, which include the bond wires, all internal package routing, and the external leads.

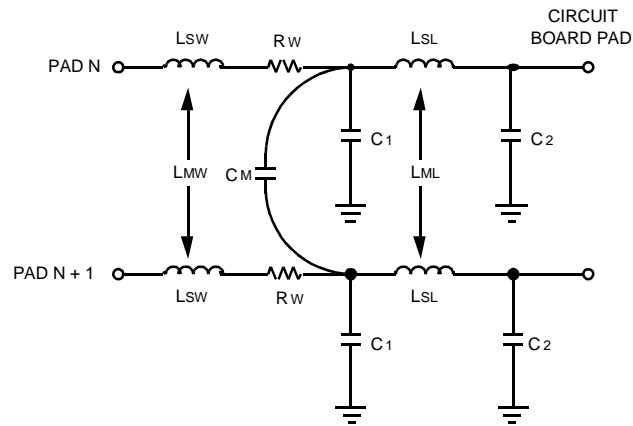
Four inductances in nH are listed: L<sub>sw</sub> and L<sub>sl</sub>, the self-inductance of the lead; and L<sub>mw</sub> and L<sub>ml</sub>, the mutual inductance to the nearest neighbor lead. These parameters are important in determining ground bounce noise and inductive crosstalk noise. Three capacitances in pF are listed: C<sub>m</sub>, the mutual capacitance of the lead to the nearest neighbor lead; and C<sub>1</sub> and C<sub>2</sub>, the total capacitance of the lead to all other leads (all other leads are assumed to be grounded). These parameters are important in determining capacitive crosstalk and the capacitive loading effect of the lead. Resistance values are in m $\Omega$ .

The parasitic values in Table 46 are for the circuit model of bond wire and package lead parasitics. If the mutual capacitance value is not used in the designer's model, then the value listed as mutual capacitance should be added to each of the C<sub>1</sub> and C<sub>2</sub> capacitors.

Package Parasitics (continued)

Table 46. ORCA ORT4622 Package Parasitics

Package Type	LSW	LMW	RW	C1	C2	CM	LSL	LML
432-Pin EBGA	4	1.5	500	1.0	1.0	0.3	3—5.5	0.5—1
680-Pin PBGAM	3.8	1.3	250	1.0	1.0	0.3	2.8—5	0.5—1



5-3862(C)r2

Figure 34. Package Parasitics

## **Package Outline Diagrams**

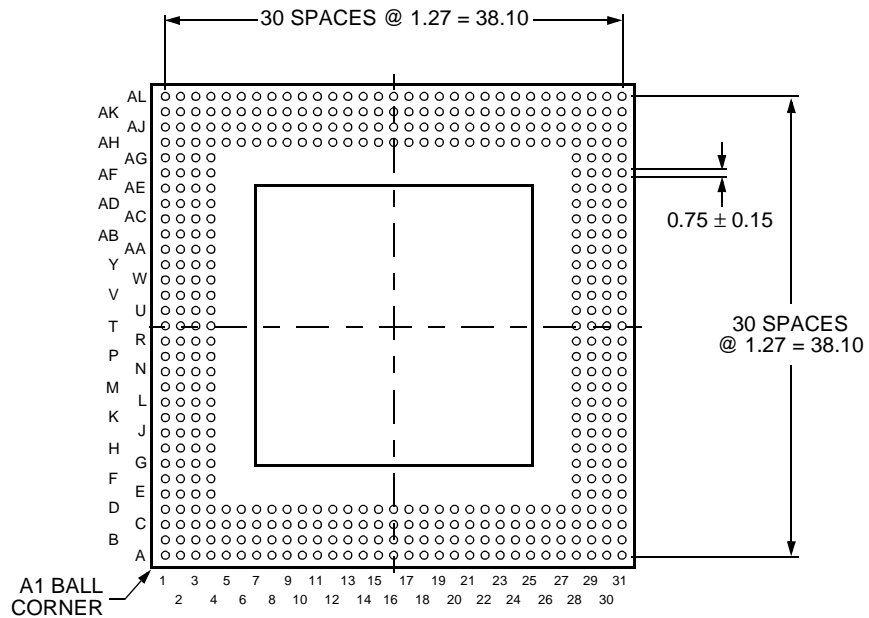
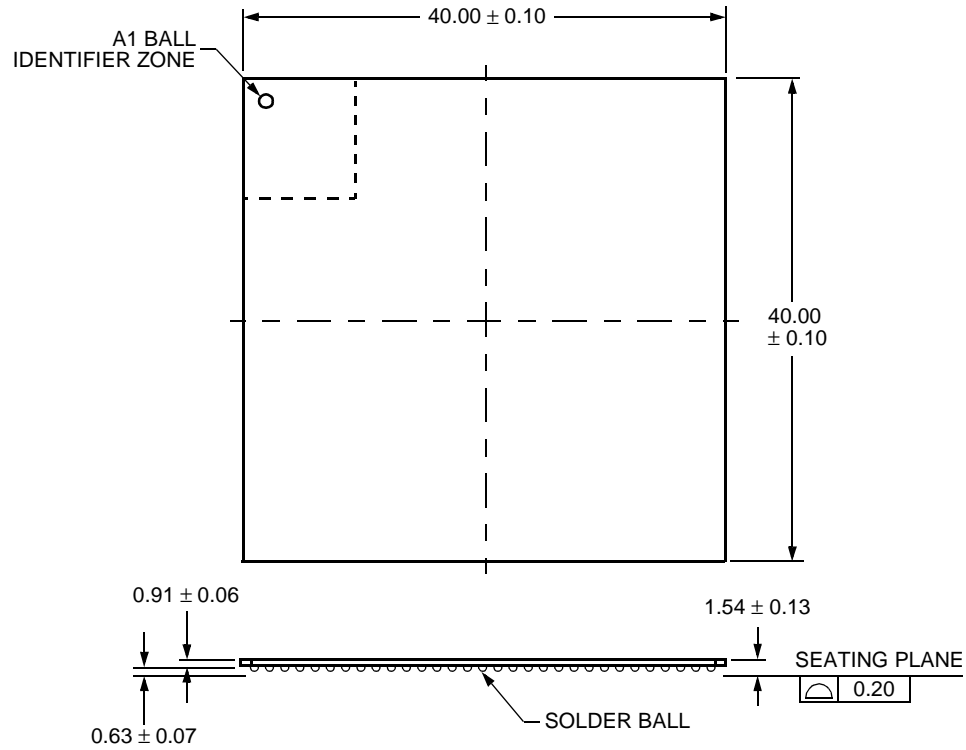
### **Terms and Definitions**

- Basic Size (BSC):** The basic size of a dimension is the size from which the limits for that dimension are derived by the application of the allowance and the tolerance.
- Design Size:** The design size of a dimension is the actual size of the design, including an allowance for fit and tolerance.
- Typical (TYP):** When specified after a dimension, this indicates the repeated design size if a tolerance is specified or repeated basic size if a tolerance is not specified.
- Reference (REF):** The reference dimension is an untoleranced dimension used for informational purposes only. It is a repeated dimension or one that can be derived from other values in the drawing.
- Minimum (MIN) or Maximum (MAX):** Indicates the minimum or maximum allowable size of a dimension.

Package Outline Diagrams (continued)

432-Pin EBGA

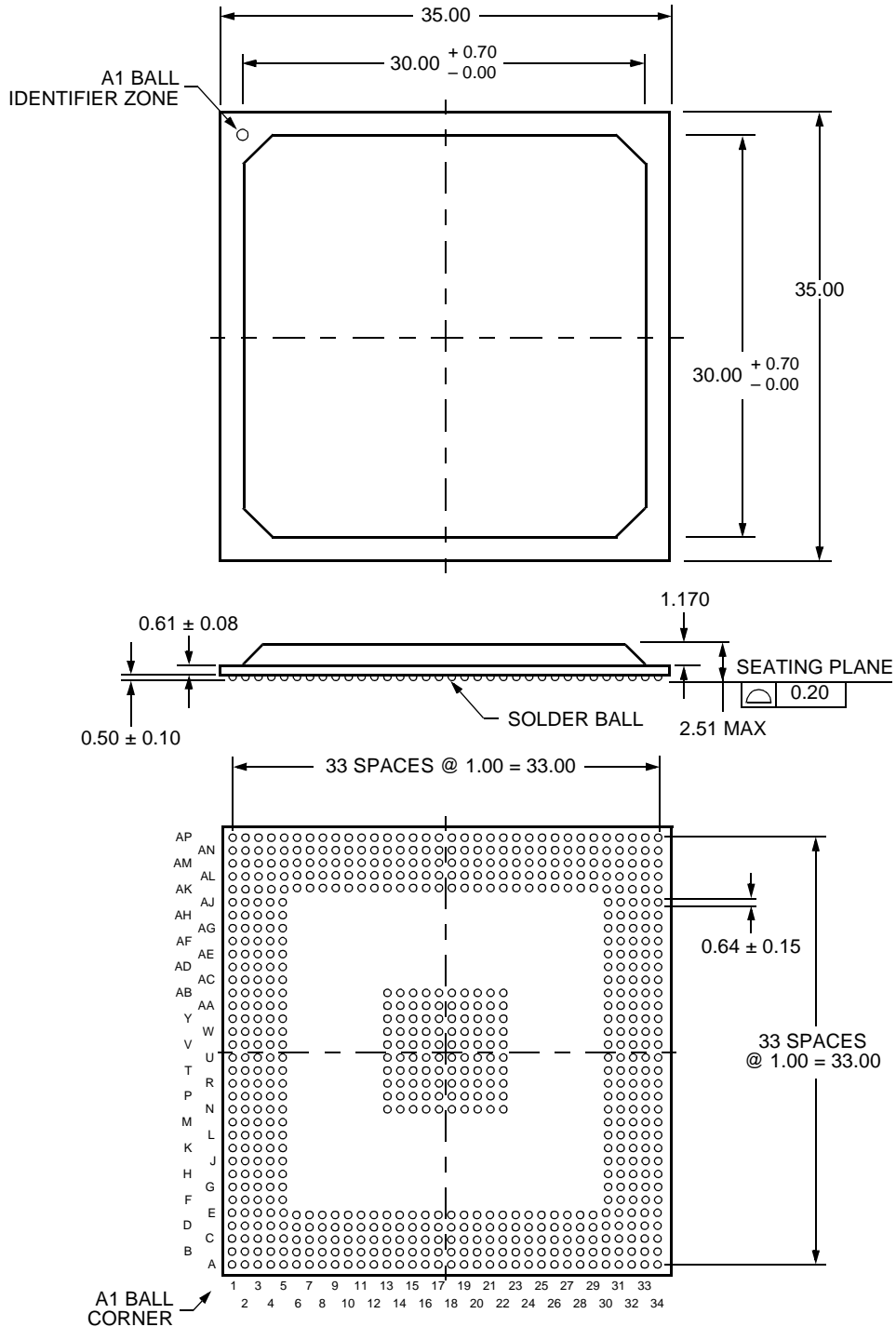
Dimensions are in millimeters.



Package Outline Diagrams (continued)

680-Pin PBGAM

Dimensions are in millimeters.

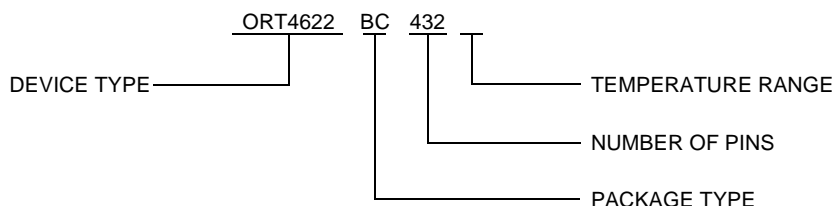


5-4406(F)



**Notes:**

**Ordering Information**



5-6435 (F).i

**Table 47. Voltage Options**

Device	Voltage
ORT4622	2.5 V/3.3 V

**Table 48. Temperature Options**

Symbol	Description	Temperature
(Blank)	Commercial	0 °C to 70 °C
I	Industrial	-40 °C to +85 °C

**Table 49. Package Type Options**

Symbol	Description
BC	Enhanced Ball Grid Array (EBGA)
BM	Plastic Ball Grid Array, Multilayer

**Table 50. ORCA Series 3+ Package Matrix**

Device	Package	
	432-Pin EBGA	680-Pin PBGAM
	BC432	BM680
ORT4622	CI	CI

Key: C = commercial, I = industrial.

For additional information, contact your Microelectronics Group Account Manager or the following:

INTERNET: <http://www.lucent.com/micro>, or for FPGA information, <http://www.lucent.com/orca>  
 E-MAIL: [docmaster@micro.lucent.com](mailto:docmaster@micro.lucent.com)  
 N. AMERICA: Microelectronics Group, Lucent Technologies Inc., 555 Union Boulevard, Room 30L-15P-BA, Allentown, PA 18103  
**1-800-372-2447**, FAX 610-712-4106 (In CANADA: **1-800-553-2448**, FAX 610-712-4106)  
 ASIA PACIFIC: Microelectronics Group, Lucent Technologies Singapore Pte. Ltd., 77 Science Park Drive, #03-18 Cintech III, Singapore 118256  
**Tel. (65) 778 8833**, FAX (65) 777 7495  
 CHINA: Microelectronics Group, Lucent Technologies (China) Co., Ltd., A-F2, 23/F, Zao Fong Universe Building, 1800 Zhong Shan Xi Road, Shanghai 200233 P. R. China **Tel. (86) 21 6440 0468, ext. 316**, FAX (86) 21 6440 0652  
 JAPAN: Microelectronics Group, Lucent Technologies Japan Ltd., 7-18, Higashi-Gotanda 2-chome, Shinagawa-ku, Tokyo 141, Japan  
**Tel. (81) 3 5421 1600**, FAX (81) 3 5421 1700  
 EUROPE: Data Requests: MICROELECTRONICS GROUP DATALINE: **Tel. (44) 7000 582 368**, FAX (44) 1189 328 148  
 Technical Inquiries: GERMANY: **(49) 89 95086 0** (Munich), UNITED KINGDOM: **(44) 1344 865 900** (Ascot),  
 FRANCE: **(33) 1 40 83 68 00** (Paris), SWEDEN: **(46) 8 594 607 00** (Stockholm), FINLAND: **(358) 9 4354 2800** (Helsinki),  
 ITALY: **(39) 02 6608131** (Milan), SPAIN: **(34) 1 807 1441** (Madrid)

Lucent Technologies Inc. reserves the right to make changes to the product(s) or information contained herein without notice. No liability is assumed as a result of their use or application. No rights under any patent accompany the sale of any such product(s) or information. ORCA is a registered trademark of Lucent Technologies Inc. Foundry is a trademark of Xilinx, Inc.

