

# OLED DISPLAY SOLUTIONS

# Pictiva™ 1.2-inch 96x64 OLED display



OS096064PK12MxxAxx

### Features

- Long-life OLED: up to 40K hrs lifetime to 50% luminance
- High brightness, Fast response
- High-contrast, 180° viewing angle
- Ultra-thin structure
- Low power consumption

### Benefits

- Meets low cost graphic needs
- Video frame rate capable
- Suitable for battery-operated units

### Applications

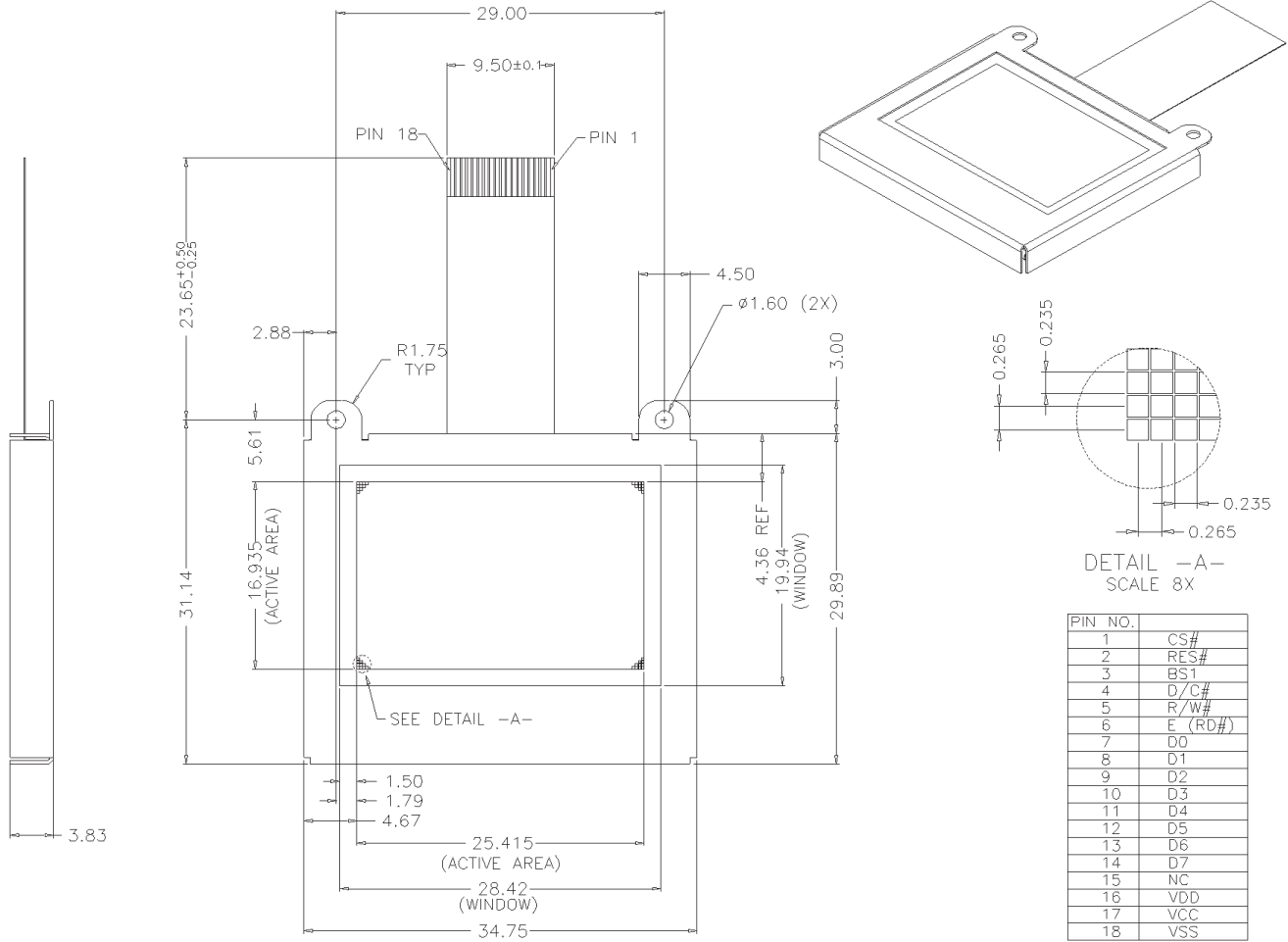
- Audio Equipment
- Mobile Phone sub-display
- MP3 player
- Mobile devices
- Industrial equipment
- Personal care devices

### Specifications

|                             |  |       |       |                   |                    |
|-----------------------------|--|-------|-------|-------------------|--------------------|
| Display Format              | 96 Columns x 64 Rows   |       |       |                   |                    |
| Diagonal                    | 1.2 inch   |       |       |                   |                    |
| Pixel Pitch                 | 0.265 mm x 0.265 mm  |       |       |                   |                    |
| Color, Luminance & Lifetime | Color On Demand  | CIE x | CIE y | cd/m <sup>2</sup> | Lifetime hrs, 25°C |
|                             | Elegance Yellow  | 0.46  | 0.54  | 100/200*          | 40K/10K*           |
|                             | Lime Green   | 0.37  | 0.62  | 100               | 10K                |
|                             | Tiger Orange   | 0.63  | 0.37  | 60                | 10K                |
| Grayscale                   | 4 bit  |       |       |                   |                    |
| Active Area                 | 25.42 (W) X 16.94 (H) mm   |       |       |                   |                    |
| Module Size                 | 34.75 (W) X 31.14 (H) X 3.83 (T) mm, excluding bezel tabs and flex; Option: no bezel |       |       |                   |                    |
| Viewing Angle               | 180°   |       |       |                   |                    |
| Contrast Ratio              | 2000:1 dark ambient  |       |       |                   |                    |
| Temperature                 | -30°C to +70°C Operating   |       |       |                   |                    |
| Voltage                     | 2.4V – 3.5V (Logic)<br>12V – 13V (OLED Supply)                                       |       |       |                   |                    |
| Power                       | 0.05 mW (Sleep Mode)   |       |       |                   |                    |
| Interface                   | Parallel or Serial, ZIF interconnect   |       |       |                   |                    |
| Driver                      | SSD0323 on COF   |       |       |                   |                    |
| Weight                      | 4.5g nominal (excluding bezel)   |       |       |                   |                    |

\* High Brightness Mode

# Mechanical Dimensions and Pin Description



## Ordering Information

| Part Number        | Order Number | Description   |
|--------------------|--------------|---|
| OS096064PK12MY0A00 | Q65110A1669  | Pictiva™ 1.2 inch 96x64 OLED Display, Elegance Yellow, parallel |
| OS096064PK12MY0A01 | Q65110A1670  | Pictiva™ 1.2 inch 96x64 OLED Display, Elegance Yellow, serial   |
| OS096064PK12MG1A00 | Q65110A3431  | Pictiva™ 1.2 inch 96x64 OLED Display, Lime Green, parallel      |
| OS096064PK12MO1A00 | Q65110A3433  | Pictiva™ 1.2 inch 96x64 OLED Display, Tiger Orange, parallel    |

## Contact Information

OSRAM Opto Semiconductors

Asia: +60(4) 631-8100 prasia@osram-os.com  
 Europe: +49 (0)941-850-3535 pr@osram-os.com  
 North America: +1-888-446-7726 ext.4310 info@osram-os.com  
 Web: www.pictiva.com