

THIS DRAWING IS UNPUBLISHED.

RELEASED FOR PUBLICATION

© COPYRIGHT

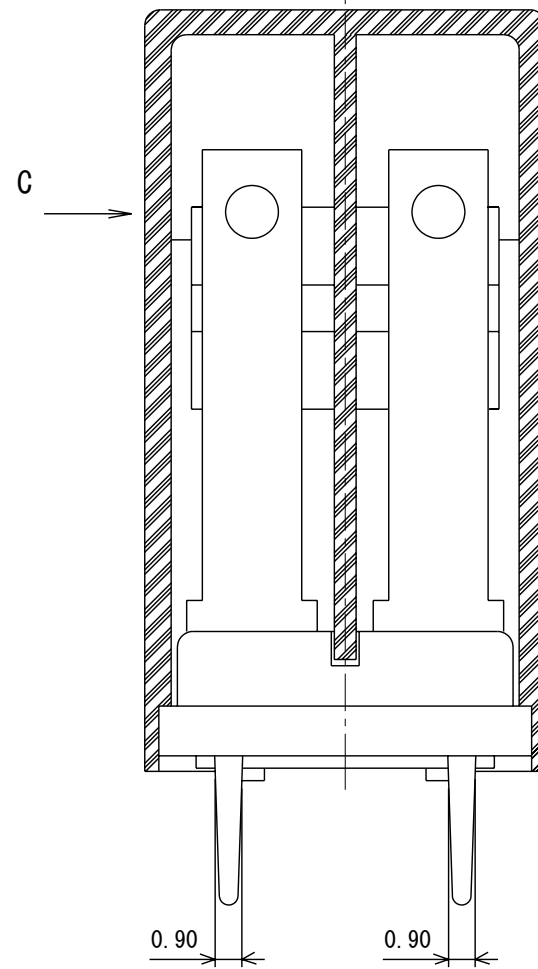
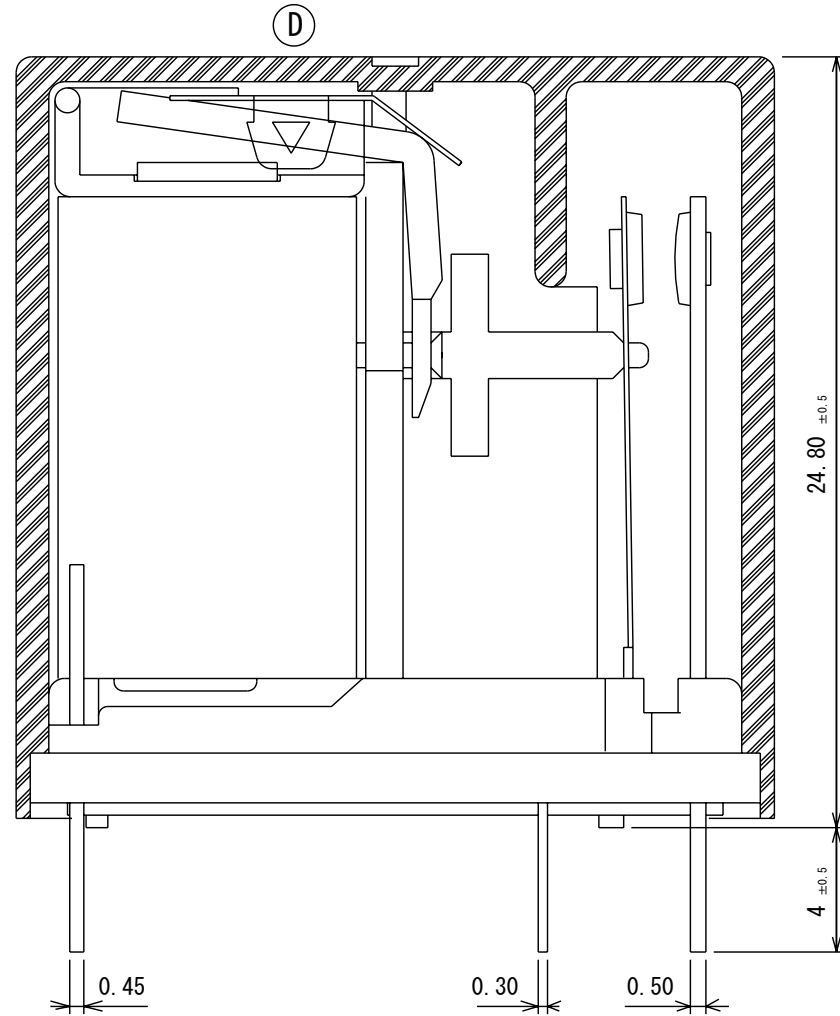
BY TYCO ELECTRONICS CORPORATION. ALL RIGHTS RESERVED.

LOC
HH

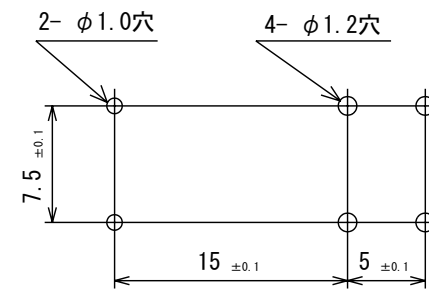
DIST

REVISIONS
変更

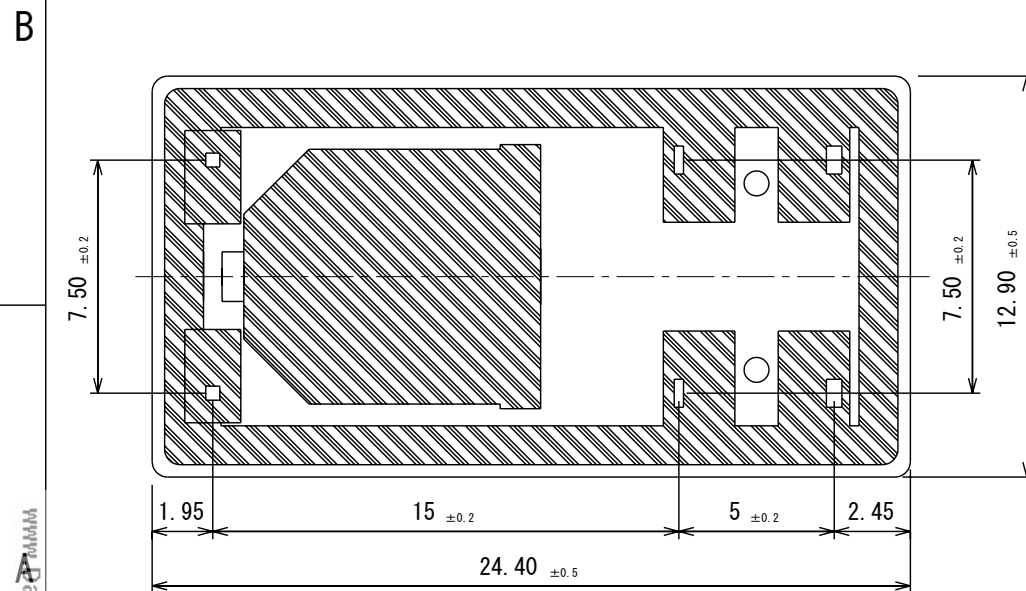
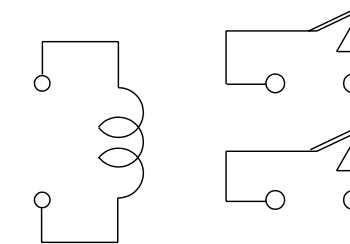
P	LTR	DESCRIPTION	ECN	DATE	DWN	APVD
	D	CHANGE DIMENSION&HOLE SHAPE OF HINGE&ADD TYPE	ECO-06-017047	28-MAR-06	H. S	A. N



DRILLING DIAGRAM (BOTTM VIEW)
プリント基板加工図：底面図 (2/1)



CONNECTION DIAGRAM (BOTTM VIEW)
接続図



TOLERANCE

Diagram dimension	Tolerance
max. 1mm	±0.1mm
1 - 3mm	±0.2mm
min. 3mm	±0.3mm

THIS DRAWING IS A CONTROLLED DOCUMENT FOR TYCO ELECTRONICS CORPORATION
IT IS SUBJECT TO CHANGE AND THE CONTROLLING ENGINEERING ORGANIZATION
SHOULD BE CONTACTED FOR THE LATEST REVISION.

DIMENSIONS: 単位：mm	TOLERANCES UNLESS OTHERWISE SPECIFIED:
	0 PLC ±
	1 PLC ±
	2 PLC ±
	3 PLC ±
	4 PLC ±
ANGLES	±

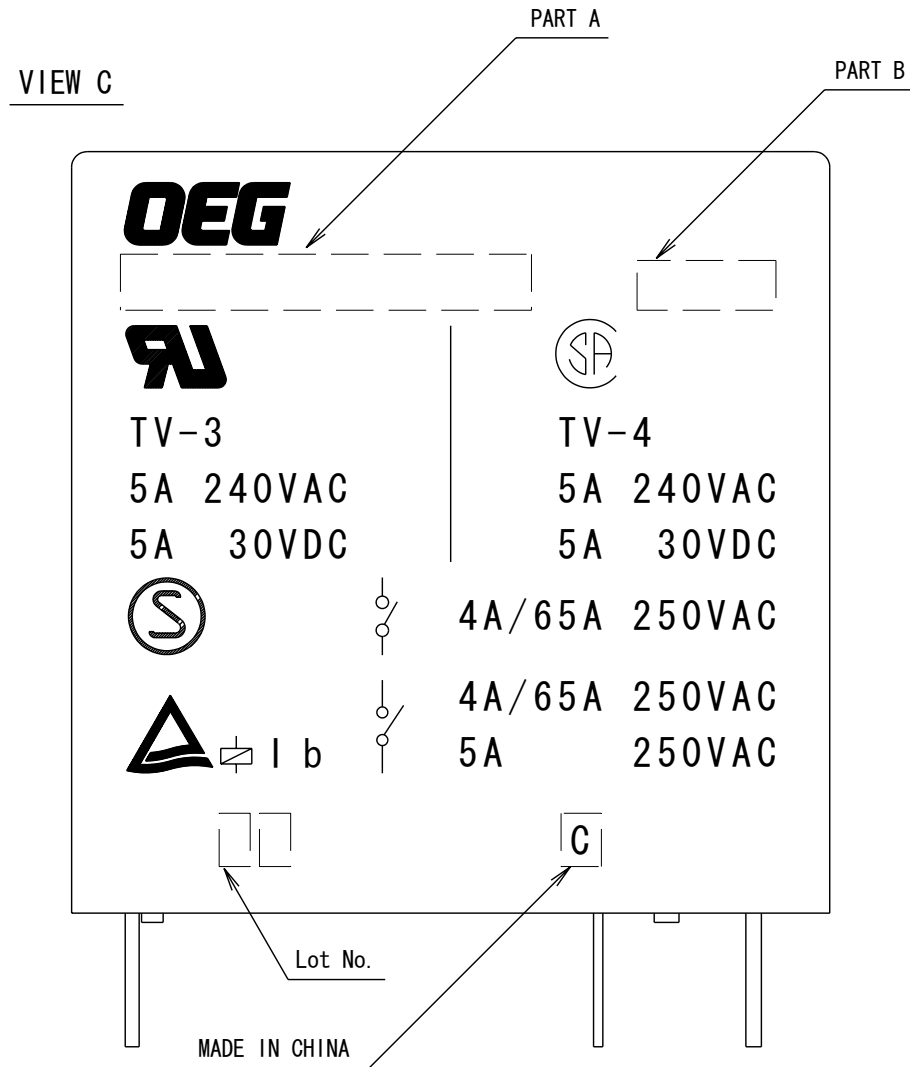
MATERIAL 材料	FINISH 仕上
-	-

DWN	H. SASAKI
CHK	Y. OIKAWA
APVD	A. NAGAI
PRODUCT SPEC 製品規格	-
APPLICATION SPEC 取付適用規格	-
WEIGHT	-

Tyco Electronics EC K.K. Tochigi, Japan		NAME 名称	
		OSA-SS-DM5,000,000M	
SIZE A3	CAGE CODE 00779	DRAWING NO 番号 5-1419124-7	RESTRICTED TO -
CUSTOMER DRAWING		SCALE 尺度 4:1	SHEET 1 OF 2

THIS DRAWING IS UNPUBLISHED. RELEASED FOR PUBLICATION
 © COPYRIGHT BY TYCO ELECTRONICS CORPORATION. ALL RIGHTS RESERVED.

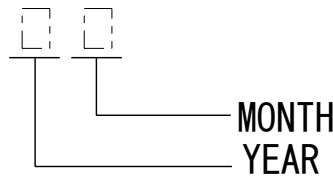
LOC	DIST	REVISIONS						
		P	LTR	DESCRIPTION	ECN	DATE	DWN	APVD
HH								



ITEM	PART A	PART B	EC TYPE NAME	PART NO
o	OSA-SS-224DM5	600	24VDC	9-1440001-1
n	OSA-SS-218DM5	600	18VDC	9-1440001-0
m	OSA-SS-212DM5	600M	12VDC	8-1440001-9
l	OSA-SS-212DM5	600	12VDC	8-1440001-8
k	OSA-SS-209DM5	600	9VDC	8-1440001-7
j	OSA-SS-206DM5	600	6VDC	8-1440001-6
i	OSA-SS-205DM5	600	5VDC	8-1440001-5
h	OSA-SS-248DM5	000	48VDC	1461388-9
g	OSA-SS-224DM5	000	24VDC	6-1419124-1
f	OSA-SS-218DM5	000	18VDC	3-1419145-6
e	OSA-SS-212DM5	000M	12VDC	3-1419145-5
d	OSA-SS-212DM5	000	12VDC	5-1419124-7
c	OSA-SS-209DM5	000	9VDC	3-1419145-4
b	OSA-SS-206DM5	000	6VDC	5-1419124-5
a	OSA-SS-205DM5	000	5VDC	5-1419124-3

RELAY TYPE																ITEM				
AR	AR	AR	AR	AR	AR	AR	AR	AR	AR	AR	AR	AR	AR	AR	AR	EPOXY RESIN	SEAL	14		
1	1	1	1	1	1	1	1	1	1	1	1	1	1	1	1	94V-0	PBT	CASE	13	
1	1	1	1	1	1	1	1	1	1	1	1	1	1	1	1	94V-0	PA66	CARD	12	
2	2	2	2	2	2	2	2	2	2	2	2	2	2	2	2		Ag ALLOY	STATIONARY CONTACT	11	
2	2	2	2	2	2	2	2	2	2	2	2	2	2	2	2		Cu ALLOY	STATIONARY TERMINAL	10	
2	2	2	2	2	2	2	2	2	2	2	2	2	2	2	2		Ag ALLOY	MOVABLE CONTACT	9	
2	2	2	2	2	2	2	2	2	2	2	2	2	2	2	2		Cu ALLOY	MOVABLE SPRING	8	
1	1	1	1	1	1	1	1	1	1	1	1	1	1	1	1		Cu-Ni PLATED	STEEL	ARMATURE	7
1	1	1	1	1	1	1	1	1	1	1	1	1	1	1	1		Cu-Ni PLATED	STEEL	CORE	6
1	1	1	1	1	1	1	1	1	1	1	1	1	1	1	1		PBS	HINGE SPRING	5	
1	1	1	1	1	1	1	1	1	1	1	1	1	1	1	1		Ni PLATED	STEEL	YOKE	4
AR	AR	AR	AR	AR	AR	AR	AR	AR	AR	AR	AR	AR	AR	AR	AR		UEW	MAGNETIC WIRE	3	
2	2	2	2	2	2	2	2	2	2	2	2	2	2	2	2		CP WIRE	COIL TERMINAL	2	
1	1	1	1	1	1	1	1	1	1	1	1	1	1	1	1	94V-0	PBT	BOBBIN	1	
o	n	m	l	k	j	i	h	g	f	e	d	c	b	a		INCOMBUSTIBILITY	TREATMENT	MATERIAL	DESCRIPTION	ITEM

NOTE:
 1. LOT NO SYSTEM AS FOLLOWS:



THIS DRAWING IS A CONTROLLED DOCUMENT FOR TYCO ELECTRONICS CORPORATION
 IT IS SUBJECT TO CHANGE AND THE CONTROLLING ENGINEERING ORGANIZATION
 SHOULD BE CONTACTED FOR THE LATEST REVISION.

DIMENSIONS: 單位: 耗 mm	TOLERANCES UNLESS OTHERWISE SPECIFIED: 0 PLC ± 1 PLC ± 2 PLC ± 3 PLC ± 4 PLC ± ANGLES ±	APVD	NAME 名稱
		PRODUCT SPEC 製品規格	(C1) OSA-SS-DM5,000,000M
MATERIAL 材料	FINISH 仕上	APPLICATION SPEC 取付適用規格	SIZE A3
		WEIGHT	CAGE CODE 00779
		CUSTOMER DRAWING	DRAWING NO 番号 5-1419124-7
			RESTRICTED TO
		SCALE 尺度 4:1	SHEET 2 OF 2
			REV D

tyco Tyco Electronics EC K.K.
 Electronics Tochigi, Japan