

NPN SILICON RF POWER TRANSISTOR

DESCRIPTION:

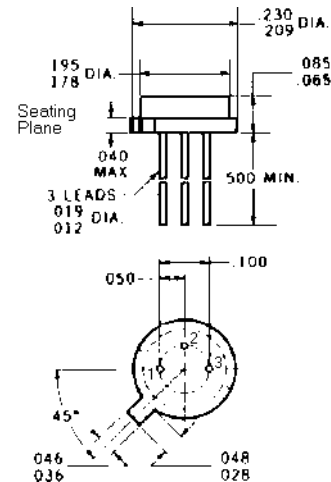
The **ASI OSC-0.7L** is Designed for General Purpose Oscillator Applications up to 1.68 GHz.

FEATURES:

- $V_{CC} = 18\text{ V}$
- **Omnigold™** Metalization System

MAXIMUM RATINGS

I_C	150 mA
V_{CB}	40 V
P_{DISS}	7.0 W @ $T_C = 25\text{ }^\circ\text{C}$
T_J	-65 $^\circ\text{C}$ to +200 $^\circ\text{C}$
T_{STG}	-65 $^\circ\text{C}$ to +200 $^\circ\text{C}$
θ_{JC}	25 $^\circ\text{C/W}$

PACKAGE STYLE TO-46

ORDER CODE: ASI10637
CHARACTERISTICS $T_C = 25\text{ }^\circ\text{C}$

SYMBOL	TEST CONDITIONS			MINIMUM	TYPICAL	MAXIMUM	UNITS
BV_{CEO}	$I_C = 1.0\text{ mA}$			20			V
BV_{CBO}	$I_C = 100\text{ }\mu\text{A}$			40			V
BV_{EBO}	$I_E = 100\text{ }\mu\text{A}$			3.0			V
I_{CBO}	$V_{CB} = 18\text{ V}$					100	μA
h_{FE}	$V_{CE} = 5.0\text{ V}$	$I_C = 100\text{ mA}$		25		250	---
C_{OB}	$V_{CB} = 18\text{ V}$	$f = 1.0\text{ MHz}$				5.0	pF
η_C	$V_{CC} = 18\text{ V}$	$P_{OUT} = 0.7\text{ W}$	$f = 1.68\text{ GHz}$		25		%
f_t	$V_{CE} = 10\text{ V}$	$I_E = 100\text{ mA}$	$f = 200\text{ MHz}$		2,500		MHz
P_{OSC}	$V_{CC} = 18\text{ V}$	$I_E = 150\text{ mA}$	$f = 1.68\text{ GHz}$		700		mW