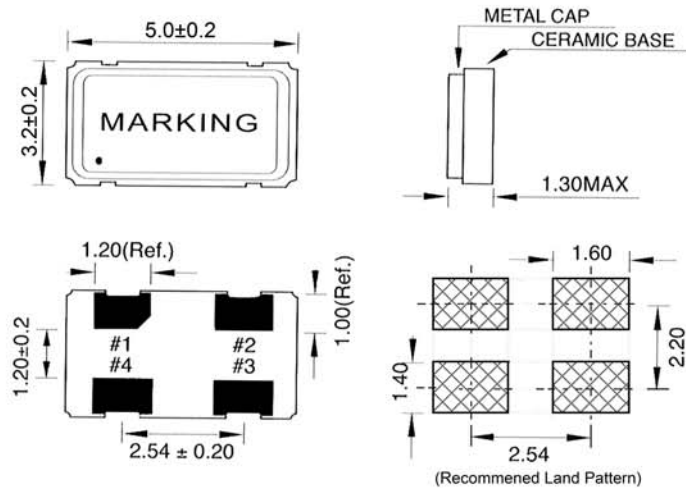


### ● SPECIFICATION

Model	OSC S5 RTC SERIES			
Frequency range	32.768KHz			
Storage temperature range	- 55°C ~ +125°C			
Operating temperature range	-10°C ~ +70°C , -40°C ~ +85°C			
Frequency stability	±20ppm ~ ±50ppm			
Power supply voltage	5.0V±10%	3.3V±10%	2.5V±5%	1.8V±5%
Current consumption	3mA max.	1mA max.		
Output level	C-MOS			
Load	15pF max.			
Output voltage level	VOL:10%Vdd max. / VOH:90%Vdd min.			
Duty cycle	40%~60% at 1/2Vdd			
RISE / FALL TIME	200nS max.			
AGING	±3ppm/Year			

### ● DIMENSION (mm )

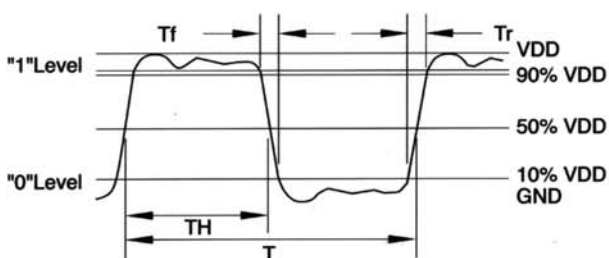


#1 : E/D    #2 : GND  
#4 : VDC    #3 : OUTPUT

Bottom

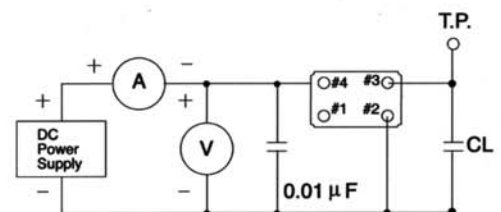
### ● OUTPUT WAVEFORM

C-MOS



### ● TEST CIRCUIT

C-MOS



Because s5 series has no by pass capacitor.  
So, we recommend our customer to use capacitor 0.01μF  
in join Vcc and GND.