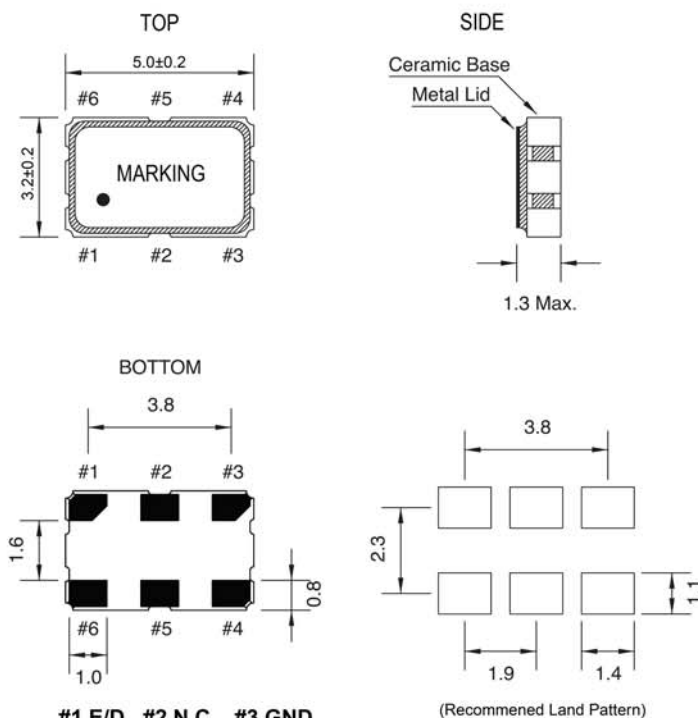


### ● SPECIFICATION

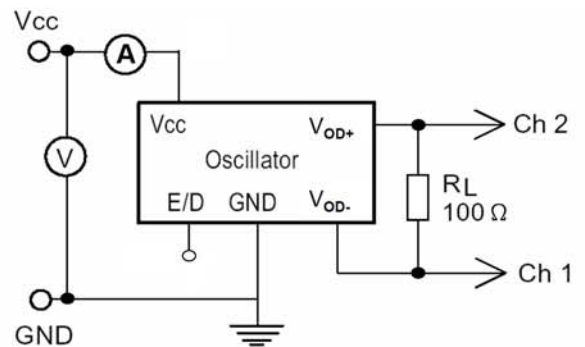
Model	OSC-S5 LVDS SERIES	
Power supply voltage	2.5±5%	3.3±5%
Output level	LVDS	
Frequency range	15.000~ 99.999 MHz	100.000~160.000MHz
Storage temperature range	- 55°C ~ +125°C	
Operating temperature range	-10°C ~ +70°C , -40°C ~ +85°C	
Frequency stability	±25ppm ~ ±100ppm	
Current consumption	50mA(Max.)	50mA(Max.)
Output Load	100Ω	
Output voltage level (V <sub>OH</sub> )	1.60V <sub>max.</sub>	
Output voltage level (V <sub>OL</sub> )	0.90V <sub>min.</sub>	
Differential Output voltage	247mV <sub>(min.)</sub> 330mV <sub>(Typ.)</sub> 454mV <sub>(max.)</sub>	
Offset voltage	1.125V <sub>(min.)</sub> 1.250V <sub>(Typ.)</sub> 1.375V <sub>(max.)</sub>	
Duty cycle	45%~55%	
Enable input voltage(V <sub>IH</sub> )	1.750V <sub>min.</sub>	2.310V <sub>min.</sub>
Disable input voltage(V <sub>IL</sub> )	0.750V <sub>max.</sub>	0.990V <sub>max.</sub>
RISE / FALL TIME(20%/80%)	40.000 ~ 100.000MHz: 1.0nS max.	
	100.000 ~ 160.000MHz : 0.5nS max.	
Phase Jitter RMS (12KHz~20MHz)	1ps(Max.)	
AGING	±3ppm/Year	

### ● DIMENSION (mm )



#1 E/D , #2 N.C. , #3 GND  
#4 Q , #5 QN , #6 VDC

### ● TEST CIRCUIT



### ● OUTPUT WAVEFORM

