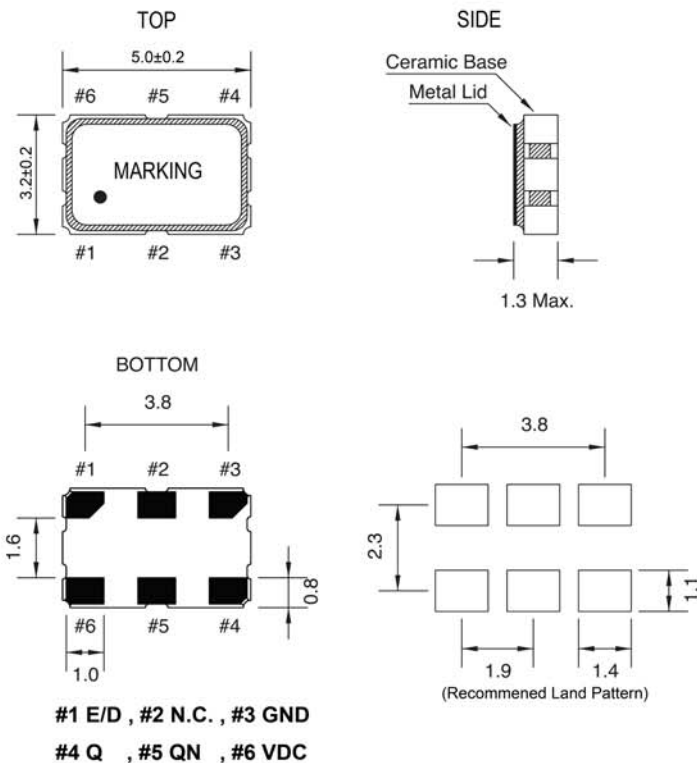


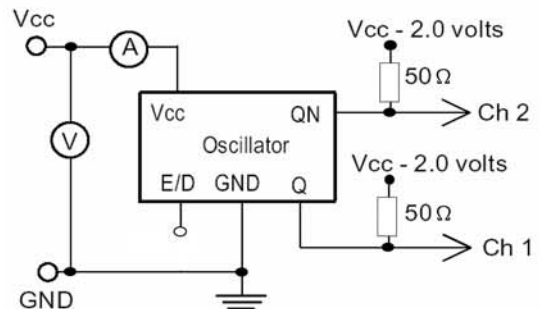
● SPECIFICATION

Model	OSC-S5 LVPECL SERIES	
Power supply voltage	2.5V±5%	3.3V±5%
Output level	LVPECL	
Frequency range	15.000 ~ 156.250 MHz	
Storage temperature range	- 55°C ~ +125°C	
Operating temperature range	-10°C ~ +70°C , -40°C ~ +85°C	
Frequency stability	±25ppm ~ ±100ppm	
Current consumption	70mA(Max.)	
Output Load	50Ω	
Output voltage level (V _{OH})	1.475V _{min.}	2.275V _{min.}
Output voltage level (V _{OL})	1.095V _{max.}	1.680V _{max.}
Duty cycle	45%~55%	
Enable input voltage(V _{IH})	1.750V _{min.}	2.310V _{min.}
Enable input voltage(V _{IL})	0.750V _{max.}	0.990V _{max.}
RISE / FALL TIME		
15.000~99.999MHz (ns)	1 Max.	1 Max.
100.000~156.250MHz (ns)	0.5 Max.	0.5 Max.
Phase Jitter RMS (12KHz~20MHz)	1ps Max.	
AGING	±3ppm/Year	

● DIMENSION (mm)



● TEST CIRCUIT



● OUTPUT WAVEFORM

