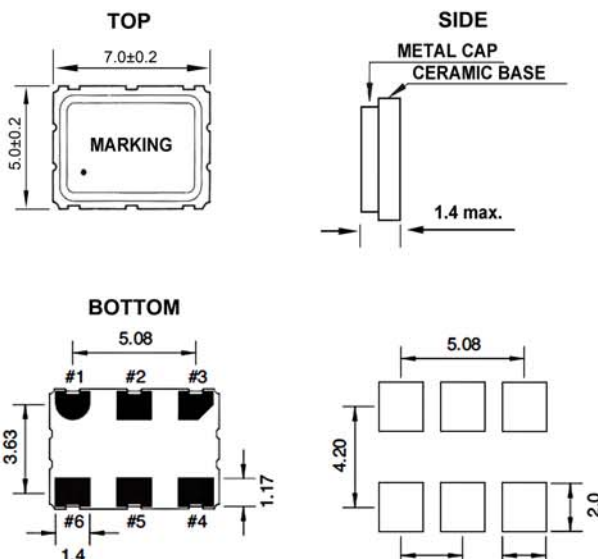


● SPECIFICATION

Model	OSC-S7 LVPECL SERIES		
Power supply voltage	2.5V±5%	3.3V±5%	3.3V±5%
Output level	LVPECL		
Frequency range	15.000~160.000MHz	160.000~622.080MHz	
Storage temperature range	-55°C ~ +125°C		
Operating temperature range	-10°C ~ +70°C , -40°C ~ +85°C		
Frequency stability	±25ppm ~ ±100ppm		
Current consumption	70mA(Max.)	135mA(Max.)	
Output Load	50Ω		
Output voltage level (V _{OH})	1.475V _{min.}	2.275V _{min.}	2.275V _{min.}
Output voltage level (V _{OL})	1.095V _{max.}	1.680V _{max.}	1.680V _{max.}
Duty cycle	45%~55%		
Enable input voltage(V _{IH})	1.750V _{min.}	2.310V _{min.}	2.310V _{min.}
Enable input voltage(V _{IL})	0.750V _{max.}	0.990V _{max.}	0.990V _{max.}
RISE / FALL TIME			
15.000~99.999MHz (ns)	1 Max.		
100.000~160.000MHz (ns)	0.5 Max.		
160.000~622.080MHz (ns)	0.7 Max.		
Phase Jitter RMS (12KHz~20MHz)	1ps Max.		
AGING	±3ppm/Year		

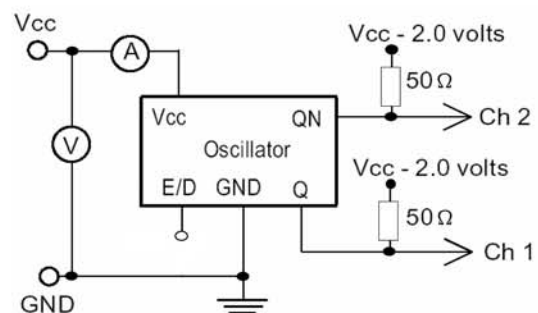
● DIMENSION (mm)



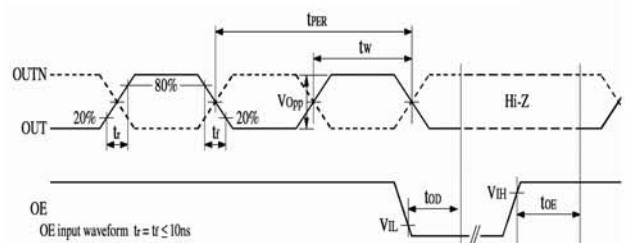
#1 E/D , #2 N.C. , #3 GND

#4 Q , #5 QN , #6 VDC

● TEST CIRCUIT



● OUTPUT WAVEFORM



DUTY1 = 100%_{w_{PER}} (%) @ crossing point
 DUTY2 = 100%_{w_{PER}} (%) @ 50% waveform