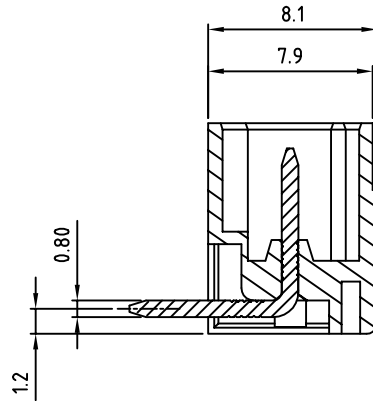
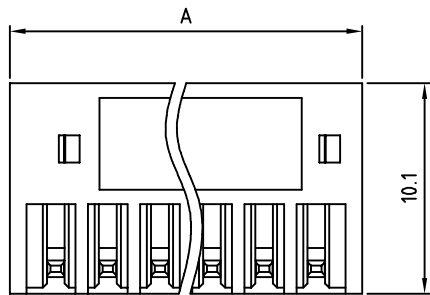
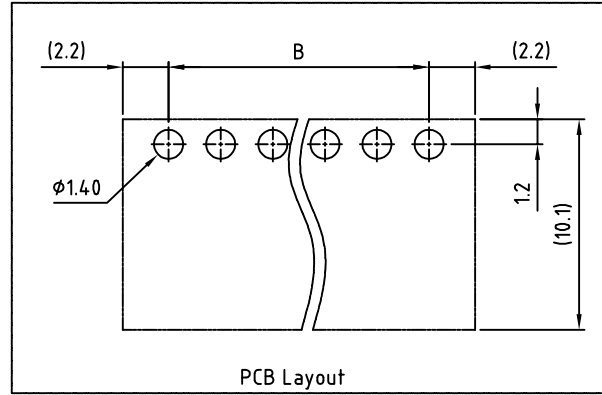
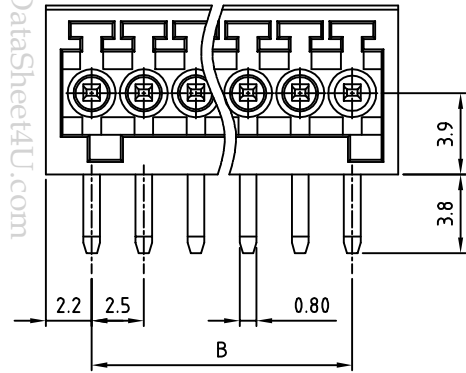


www.DataSheet4U.com



SIGN	DATE	DESCRIPTION	APPROVER
		THIS IS CAD DRAWING, DO NOT REVISE MANUALLY!!!	

Material:

- Contact pin: Brass(CuZn) Tin plated
- Insulator(housing): Thermoplastic (UL94V-0)

Electrical:

- Voltage rating: 125V
 - Current rating: 4A
 - Withstanding Voltage: 1.25 KV
 - Operating temperature: -30°C to +105°C
 - Soldering temperature: 250°C±10°C/5 Sec
- RoHS Compliant

PART NUMBER:

OSTOQXXB151

- No. of Poles
- 02 2 Poles
 - 03 3 Poles
 -
 - 24 24 Poles

- COLOR
- 0: Black
 - 5: Green (Standard)
 - 6: Blue
 - 8: Grey

THESE DRAWINGS AND SPECIFICATIONS ARE THE PROPERTY OF ON-SHORE TECHNOLOGY, INC. AND SHALL NOT BE REPRODUCED, COPIED OR USED IN ANY MANNER WITHOUT THE PRIOR WRITTEN CONSENT OF ON-SHORE TECHNOLOGY, INC.

POLE		2	3	4	5	6	7	8	9	10	11	12
A		6.90	9.40	11.90	14.40	16.90	19.40	21.90	24.40	26.90	29.40	31.90
B		2.50	5.00	7.50	10.00	12.50	15.00	17.50	20.00	22.50	25.00	27.50
Tol.		±0.10					±0.15					
POLE	13	14	15	16	17	18	19	20	21	22	23	24
A	34.40	36.90	39.40	41.90	44.40	46.90	49.40	51.90	54.40	56.90	59.40	61.90
B	30.00	32.50	35.00	37.50	40.00	42.50	45.00	47.50	50.00	52.50	55.00	57.50
Tol.		±0.20					±0.30					



TITLE	OSTOQ 2.5mm 90° Series		
PART NO.	OSTOQXXB151	DWG NO.	OSTOQXXB151.DWG
APPROVED	CHECKED	DESIGNED	DRAWN
		Tony 2007.04.07	Tony 2007.04.07
SHEET: 01/01	REV: B	UNIT: mm	Tolerance
		SCALE: NONE	X. ±0.50
			X.X ±0.30
			X.XX ±0.10
			X° ±1°