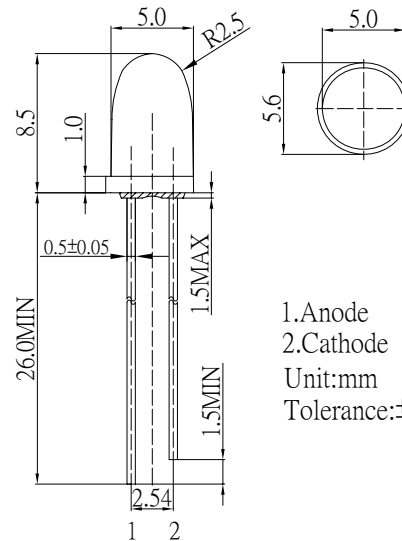


**■ Features**

- High Luminous LEDs
- 5mm Bullet Standard Directivity
- Superior Weather-resistance
- UV Resistant Epoxy
- Water Clear Type

**■ Applications**

- Electronic Signs And Signals
- Small Area Illuminations
- Back Lighting
- Other Lighting

**■ Outline Dimension**


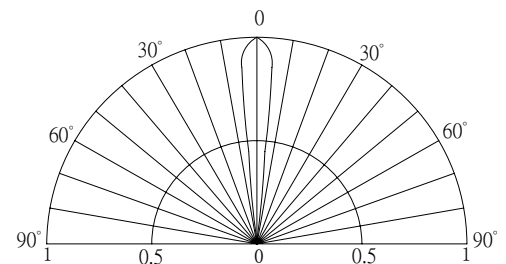
1. Anode  
 2. Cathode  
 Unit:mm  
 Tolerance:±0.30mm

**■ Absolute Maximum Rating**

(Ta=25°C)

| Item                       | Symbol          | Value      | Unit |
|----------------------------|-----------------|------------|------|
| DC Forward Current         | I <sub>F</sub>  | 30         | mA   |
| Pulse Forward Current*     | I <sub>FP</sub> | 100        | mA   |
| Reverse Voltage            | V <sub>R</sub>  | 5          | V    |
| Power Dissipation          | P <sub>D</sub>  | 78         | mW   |
| Operating Temperature      | Topr            | -30 ~ +85  | °C   |
| Storage Temperature        | Tstg            | -40~ +100  | °C   |
| Lead Soldering Temperature | Tsol            | 260°C/5sec | -    |

\*Pulse width Max.10ms Duty ratio max 1/10

**■ Directivity**

**■ Electrical -Optical Characteristics**

(Ta=25°C)

| Item                | Symbol            | Condition            | Min.  | Typ.  | Max. | Unit |
|---------------------|-------------------|----------------------|-------|-------|------|------|
| DC Forward Voltage  | V <sub>F</sub>    | I <sub>F</sub> =20mA | 1.8   | 2.1   | 2.6  | V    |
| DC Reverse Current  | I <sub>R</sub>    | V <sub>R</sub> =5V   | -     | -     | 10   | μA   |
| Domi. Wavelength*   | λ <sub>D</sub>    | I <sub>F</sub> =20mA | 585   | 590   | 595  | nm   |
| Luminous Intensity* | I <sub>v</sub>    | I <sub>F</sub> =20mA | 12000 | 15000 | -    | mcd  |
| 50% Power Angle     | 2θ <sub>1/2</sub> | I <sub>F</sub> =20mA | -     | 8     | -    | deg  |

\*1 Tolerance of dominant wavelength is ±1nm

\*2 Tolerance of luminous intensity is ±15%