

# OV7605C8

## Low Power Fully Ceramic 32.768kHz SM Oscillator



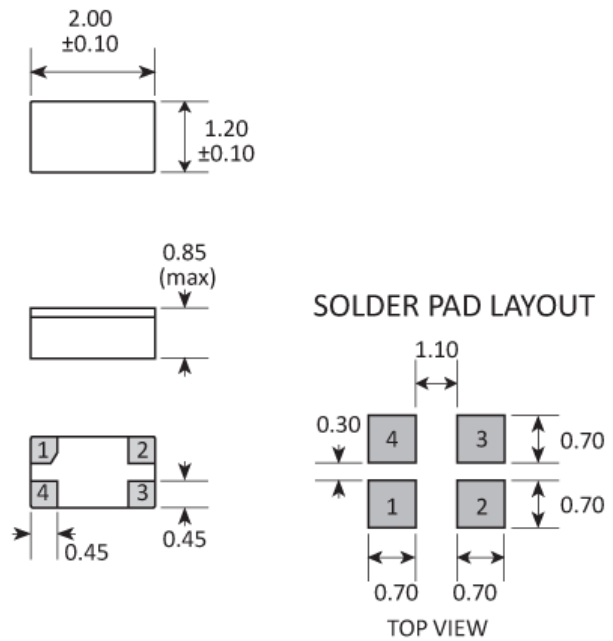
- Ultra low power consumption
- Fully ceramic 32.768kHz oscillator
- Tight frequency tolerance
- Optional AEC-Q200 qualification
- High shock and vibration resistance

### CONFIGURABLE OPTIONS

Parameter	Option Code
Calibration tolerance	
±20ppm	B
Qualification	
Any	
Commercial	
AEC-Q200 (Automotive)	A

**SPECIFICATIONS**

Frequency	32.768kHz
Dimensions	2.0 x 1.2 x 0.85mm
Operating temperature range	-40 to +85 °C
Turnover temperature (T <sub>0</sub> )	+25 °C ±5 °C
Frequency / temp coefficient	-0.035ppm/°C <sup>2</sup> ±10%
Storage temperature range	-55 to +125 °C
Supply voltage (V <sub>DD</sub> )	Operable from 1.6 ~ 5.5V
Supply current (backup mode)	0.45µA typ, 0.65µA max (V <sub>DD</sub> 3.0V, output disabled)
Logic levels	'0' level = +0.4V max '1' level = V <sub>DD</sub> -0.4V min
Waveform symmetry	40:60 max @ 50%V <sub>DD</sub>
Driving ability	10pF CMOS
Voltage coefficient	±3ppm/V max
Rise / fall times	30ns typ, 70ns max
Start up time	500ms max @ 25 °C
Enable / disable function	Control via pad 3
Ageing	±3ppm max first year @ 25 °C
Shock resistance	±5ppm, 5,000g, 0.3ms ½-sine
Vibration resistance	±5ppm, 20g rms 10.0 ~ 2,000Hz
Soldering condition	Reflow, 260 °C, 20 sec max

**PACKAGE DRAWING**


PAD	CONNECTION
1	Output
2	Ground
3	Enable / disable
4	Supply

Dimensions in mm

## ORDERING INFORMATION

To request a quotation for the OV7605C8 please use the configurable options form to choose the options you require and then submit your configured product to our team. Our expert advisers are always happy to help with your requirements and can be contacted on +44 1460 256 100 or at [sales@golledge.com](mailto:sales@golledge.com).

Following product selection you will be issued with a seven character Golledge part number. Your Golledge part number is the internationally accepted Golledge manufacturing part number (MPN) that should be used for all project documentation, including bills of materials (BoMs) and purchase orders.

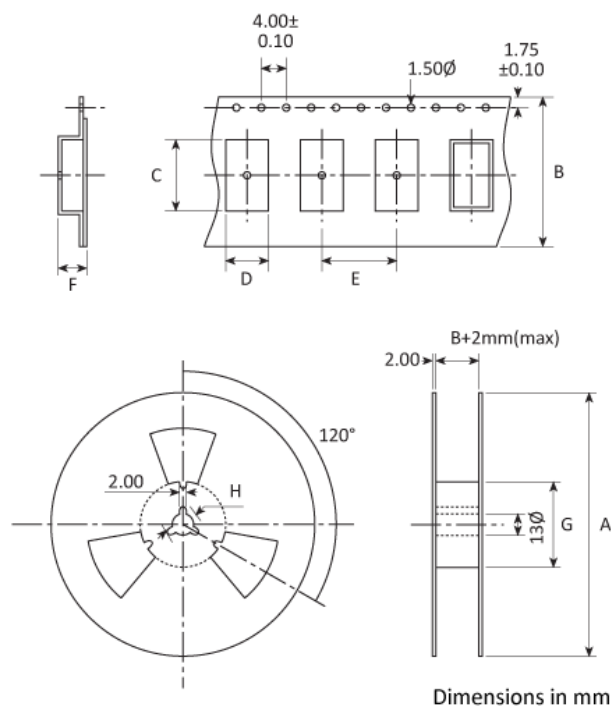
If you have any queries regarding any of our documentation our dedicated sales team will be happy to help.

## ENABLE / DISABLE FUNCTION

Input (pad 3)	Output (pad 1)
'1' level	Enabled
'0' level	Disabled

Note: Pad 3 should not be allowed to float

## TAPE & REEL SPECIFICATION



A:178 / B:8 / C:2.3 / D:1.5 / E:4 / F:0.9 / G:61.5 / H:21

## HANDLING & STORAGE



Human Body Model (HBM) 1A (250V to <500V)



Moisture Sensitivity Level (MSL): 1 (or not applicable)

**CONSTRUCTION**

Ceramic base and lid

**MATERIAL COMPOSITION**



Lead-free (< 0.1% by weight )



RoHS 2 compliant with no exemptions. [See our declaration](#)



REACH compliant. [See our statement](#)



Free of conflict minerals. [See our declaration](#)



Free of Halogens. [See our declaration](#)

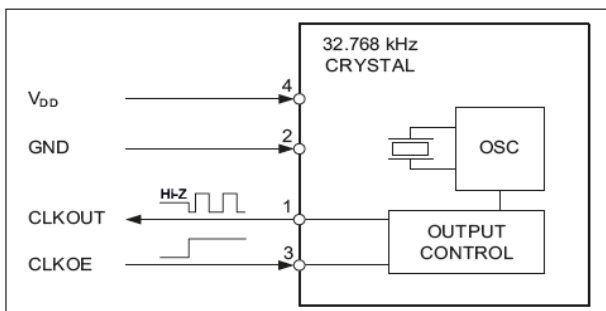


Free of Ozone-depleting substances. [See our declaration](#)



Nominal Net Mass: 6.0mg

**BLOCK DIAGRAM**



## OTHER INFORMATION

### About Golledge

We are the UK's leading supplier of frequency control products and are proud to serve the global electronics industry. Our philosophy is a focus firmly on your requirements by striving to meet and exceed your needs. We do this by ensuring the utmost quality and consistency in our products and services. If you have any queries about the Golledge service or any of our products please get in touch, we'd love to hear from you.

### Come and visit

Eaglewood Park, ILMINSTER,  
Somerset, TA19 9DQ, England

### Give us a call

Tel: +44 1460 256 100  
Fax: +44 1460 256 101

### Email us

sales@golledge.com

### Our Worldwide Distributors

#### Belgium & Luxembourg

Alcom Electronics NV/SA



Email info@alcom.be  
Web www.alcom.be  
Tel +32 (0)3 458.30.33

#### China, Hong Kong - 中国 / 香港

Meiya China



Email sales@meiyatech.com  
Web www.meiyatech.com  
Tel +86 755 2823 1923

#### France

Equipments Scientifique



Email comp@es-france.com  
Web www.es-france.com  
Tel +33 1 47 95 99 89

#### Germany

MEV Elektronik Service GmbH



Email info@mev-elektronik.com  
Web www.mev-elektronik.com  
Tel +49 54 24 23 40-0

#### India

V5 Semiconductors



Email sales@v5semiconductors.com  
Web v5semiconductors.com  
Tel +91-80-2661 0621

#### Israel

Phoenix Technologies Ltd



Email sales@phnx.co.il  
Web www.phnx.co.il  
Tel +972 9 764 4800

#### Netherlands

Alcom Electronics BV



Email info@alcom.nl  
Web alcom.nl  
Tel +31 (0)10 288.25.00

#### Norway

Link Nordic



Email bjorn.nyjordet@linknordic.com  
Web linknordic.com  
Tel +47 93 22 68 90

#### Russia - Россия

EFO Ltd



Email elena@efo.ru  
Web www.golledge.ru  
Tel +7(812)327-8654

#### Spain & Portugal

R.C. Microelectronica, S.A.



Email ventas@rcmicro.es  
Web www.rcmicro.es  
Tel +34 93 260 21 66

Our customer feedback is testament to our quality; "Never had such good service as this from anyone in 35 years of being in the industry, this is impressive and has really helped us out of a corner to keep the design flowing" Andy (Senior Design Engineer), "As always your support is state of the art" Nicoleta (Material Management), "Legendary work - as usual it has to be said" John (Operations).

To take advantage of our highly praised service get in touch with us today.