

# Approval Sheet

**300Kpixels OV7725 Camera Module**

**Customer module NO:YA080912**

**Version:1.0**

## General Specification

Sensor Type		1/4" CMOS sensor
Active Array Size		640(H)x480(V)
Pixel Size		6.0umx6.0um
Output Format		YUV/YCbCr4:2:2
		RGB565/555/444
		RGB4:2:2
		Raw RGB Data
Max Frame Rate	SVGA	60fps for VGA
External Clock Rate		10~48MHZ (24MHZ for Typ.)
Power Supply	Digital core	1.8VDC +/- 10%
	Analog	3.0V-3.6VDC
	I/O	1.7V-3.3V
Power Consumption	Active	120mW typical(60fps,VGA, yuv)
	Standby	20uA typical
Sensitivity		3.0V(Lux.sec)
S/N Ratio		50dB
Dynamic Range		60dB
Scan Mode		Progressive
Temperature Range	Operation	-20℃-70℃
	Stable Image	0℃-50℃

## Optical Specification

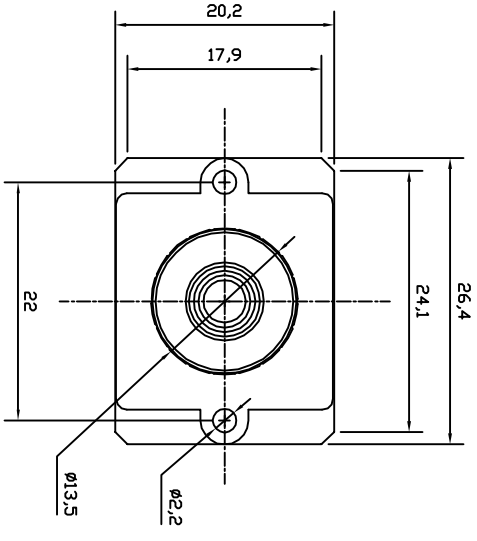
Lens component	2P+1 IR
BFL	4.76mm
F number	2.4
Distortion	<-2.5%
Relative Illumination	>57%
Thread Size	M12x0.5P
SEMI-Field Angle	31.3 degree
IR-Filter	640nm
EFFL	4.29mm

## Pin Description

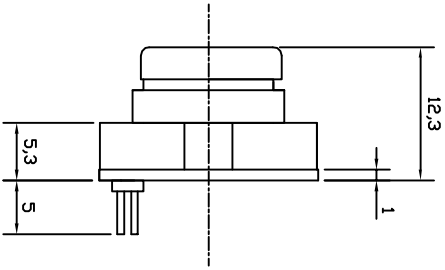
Pin Number	Name	Pin Type	Function/Description
01	AGND	Power	Analog ground
02	HREF	Output	HREF output
03	VSYNC	Output	Vertical sync output
04	PWDN	Input	Power Down mode selection 0: normal mode 1: power down mode
05	PCLK	PCLK	Pixel clock output
06	AVDD	Power	Analog power supply
07	DOVDD	Power	Power supply(1.8VDC) for digital logic core
08	SIOD	I/O	SCCB serial interface data I/O
09	XCLK	Input	System clock input
10	SIOC	Input	SCCB serial interface clock input
11	D0	Output	Data output bit[0]
12	D1	Output	Data output bit[1]
13	D2	Output	Data output bit[2]
14	D3	Output	Data output bit[3]
15	DGND	Power	Digital ground
16	D4	Output	Data output bit[4]
17	D5	Output	Data output bit[5]
18	D6	Output	Data output bit[6]

## Pin Description

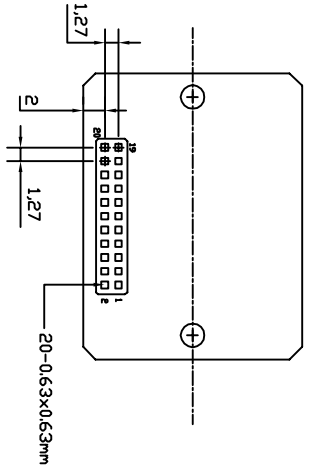
Pin Number	Name	Pin Type	Function/Description
19	D7	Output	Data output bit[7]
20	D8	Output	Data output bit[8]
21	D9	Output	Data output bit[9]
22	ADGND	Power	ADC ground



FRONT VIEW



SIDE VIEW



BOTTOM VIEW

Pin Number	Pin Name
01	AGND
02	HREF
03	VSYNC
04	PWDN
05	PCLK
06	AVDD
07	DOVDD
08	SIOD
09	XCLK
10	SIOC
11	D0
12	D1
13	D2
14	D3
15	DGND
16	D4
17	D5
18	D6
19	D7
20	D8
21	D9
22	ADGND

- 注: 1. 未彪锐角处皆为R0.2mm  
 2. 未标注公差处采用A级公差。  
 3. SENSOR: 0V7725  
 4. UNIT: mm

REV	ISSUES ZONE	REVISIONS	DATE	CHK	APPD
1		RELEASE FOR PRODUCTION			

GENERAL TOLERANCE: LINEAR - X 0.16 ANGULAR - 1/2°		DO NOT SCALE DRAWING TYPE: DRN: DATE: 0V7725 CAMERA MODULE	
ALL DIMENSIONS ARE IN METRIC UNITS UNLESS OTHERWISE SPECIFIED		CHK: DATE:	MODRL: JG080912
SCALE:	APPD: DATE:	MATERIAL:	PART NO.: XXXXX
		FINISH:	



SH 1 OF 1 A2