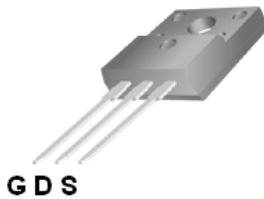


P0470ETF / P0470ETFS

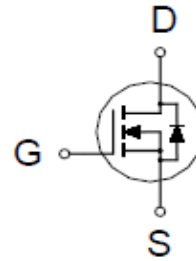
N-Channel Enhancement Mode MOSFET

PRODUCT SUMMARY

$V_{(BR)DSS}$	$R_{DS(ON)}$	I_D
700V	2.8Ω @ $V_{GS} = 10V$	4A



TO-220F
TO-220FS



ABSOLUTE MAXIMUM RATINGS ($T_A = 25\text{ °C}$ Unless Otherwise Noted)

PARAMETERS/TEST CONDITIONS		SYMBOL	LIMITS	UNITS
Drain-Source Voltage		V_{DS}	700	V
Gate-Source Voltage		V_{GS}	±30	
Continuous Drain Current ²	$T_C = 25\text{ °C}$	I_D	4	A
	$T_C = 100\text{ °C}$		2.6	
Pulsed Drain Current ¹		I_{DM}	16	
Avalanche Current ³		I_{AS}	2	
Avalanche Energy ³		E_{AS}	20	mJ
Power Dissipation	$T_C = 25\text{ °C}$	P_D	54	W
	$T_C = 100\text{ °C}$		22	
Operating Junction & Storage Temperature Range		T_J, T_{stg}	-55 to 150	°C

THERMAL RESISTANCE RATINGS

THERMAL RESISTANCE	SYMBOL	TYPICAL	MAXIMUM	UNITS
Junction-to-Case	$R_{\theta JC}$		2.3	°C / W
Junction-to-Ambient	$R_{\theta JA}$		62.5	

¹Pulse width limited by maximum junction temperature.

²Ensure that the channel temperature does not exceed 150°C.

³ $V_{DD} = 50V, L = 10mH, \text{ starting } T_J = 25\text{ °C}$

P0470ETF / P0470ETFS

N-Channel Enhancement Mode MOSFET

ELECTRICAL CHARACTERISTICS (T_J = 25 °C, Unless Otherwise Noted)

PARAMETER	SYMBOL	TEST CONDITIONS	LIMITS			UNITS
			MIN	TYP	MAX	
STATIC						
Drain-Source Breakdown Voltage	V _{(BR)DSS}	V _{GS} = 0V, I _D = 250μA	700			V
Gate Threshold Voltage	V _{GS(th)}	V _{DS} = V _{GS} , I _D = 250μA	2	3	4	
Gate-Body Leakage	I _{GSS}	V _{DS} = 0V, V _{GS} = ±30V			±100	nA
Gate Voltage Drain Current	I _{DSS}	V _{DS} = 700V, V _{GS} = 0V, T _C = 25 °C			1	μA
		V _{DS} = 560V, V _{GS} = 0V, T _C = 100 °C			10	
Drain-Source On-State Resistance ¹	R _{DS(ON)}	V _{GS} = 10V, I _D = 2A		2.2	2.8	Ω
Forward Transconductance ¹	g _{fs}	V _{DS} = 10V, I _D = 2A		7.7		S
DYNAMIC						
Input Capacitance	C _{iss}	V _{GS} = 0V, V _{DS} = 25V, f = 1MHz		661		pF
Output Capacitance	C _{oss}			63		
Reverse Transfer Capacitance	C _{rss}			8		
Total Gate Charge ²	Q _g	V _{DD} = 560V, V _{GS} = 10V, I _D = 4A		14		nC
Gate-Source Charge ²	Q _{gs}			2.9		
Gate-Drain Charge ²	Q _{gd}			3.2		
Turn-On Delay Time ²	t _{d(on)}	V _{DD} = 350V, I _D = 4A, R _G = 6Ω		37		nS
Rise Time ²	t _r			13.5		
Turn-Off Delay Time ²	t _{d(off)}			17		
Fall Time ²	t _f			12.3		
SOURCE-DRAIN DIODE RATINGS AND CHARACTERISTICS (T_J = 25 °C)						
Continuous Current ³	I _S				4	A
Forward Voltage ¹	V _{SD}	I _F = 4A, V _{GS} = 0V			1	V
Reverse Recovery Time	t _{rr}	I _F = 4A, di _F /dt = 100A / μS		354		nS
Reverse Recovery Charge	Q _{rr}				2.4	

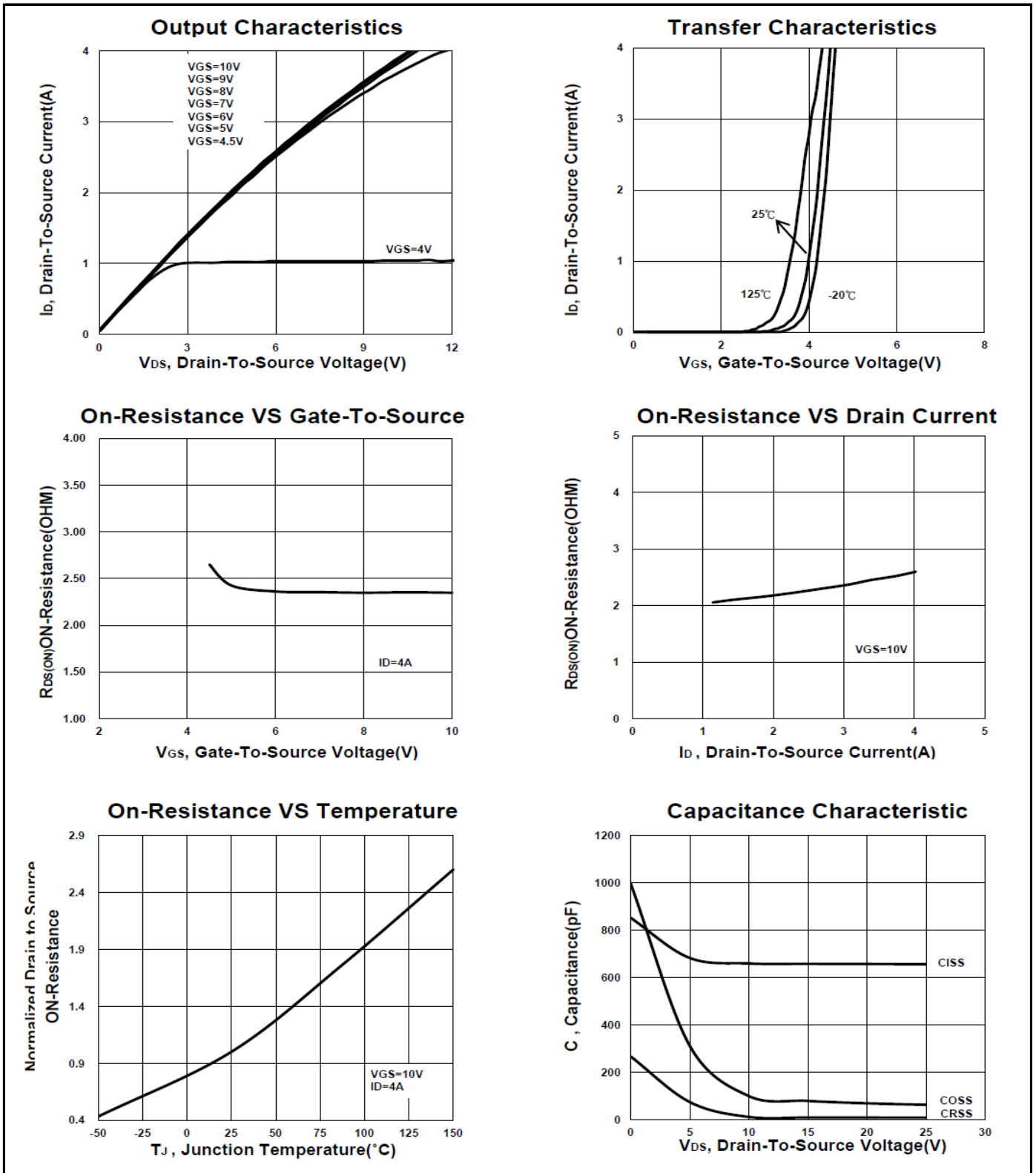
¹Pulse test : Pulse Width ≤ 380 μsec, Duty Cycle ≤ 2%.

²Independent of operating temperature.

³Pulse width limited by maximum junction temperature.

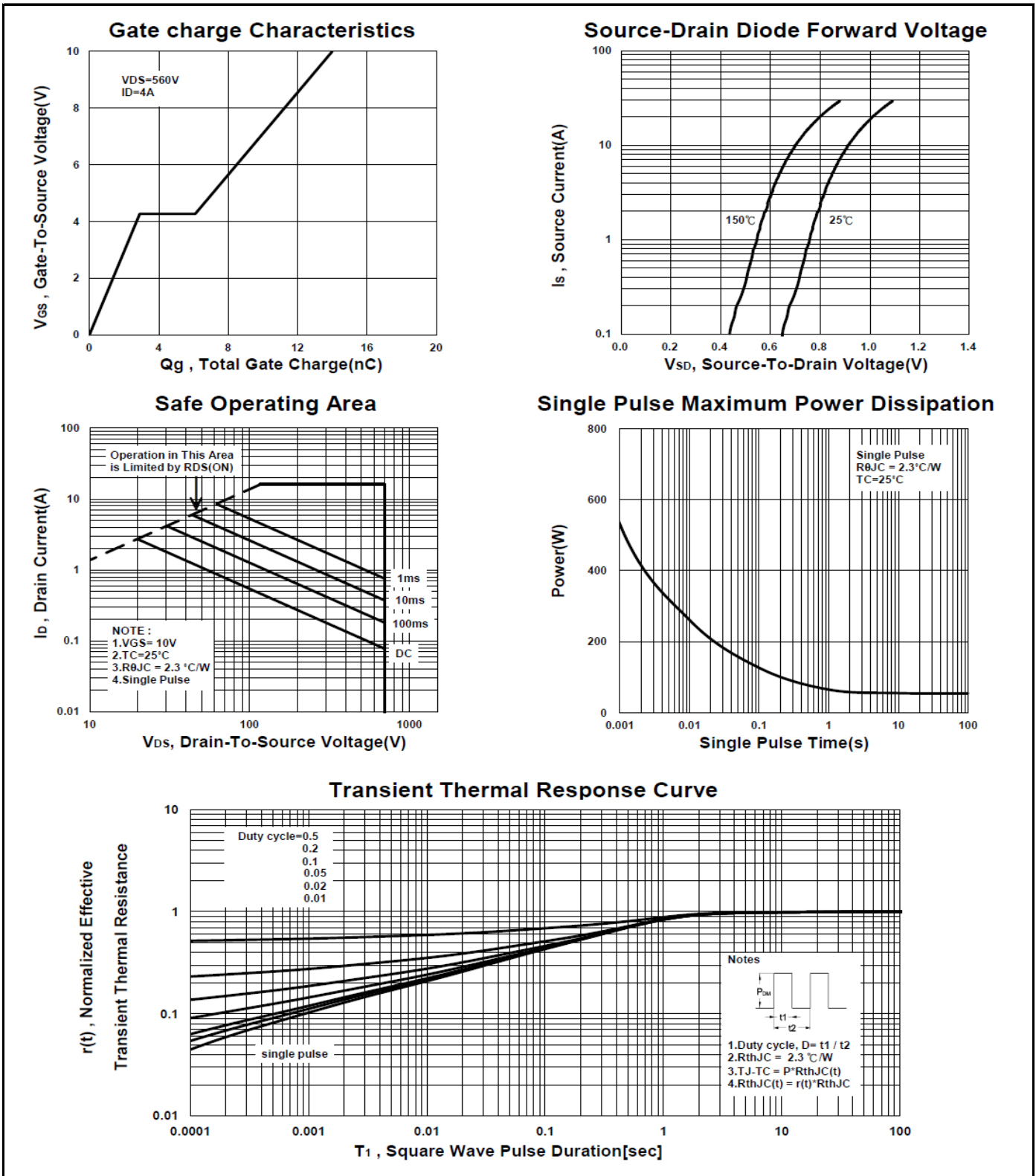
P0470ETF / P0470ETFS

N-Channel Enhancement Mode MOSFET



P0470ETF / P0470ETFS

N-Channel Enhancement Mode MOSFET



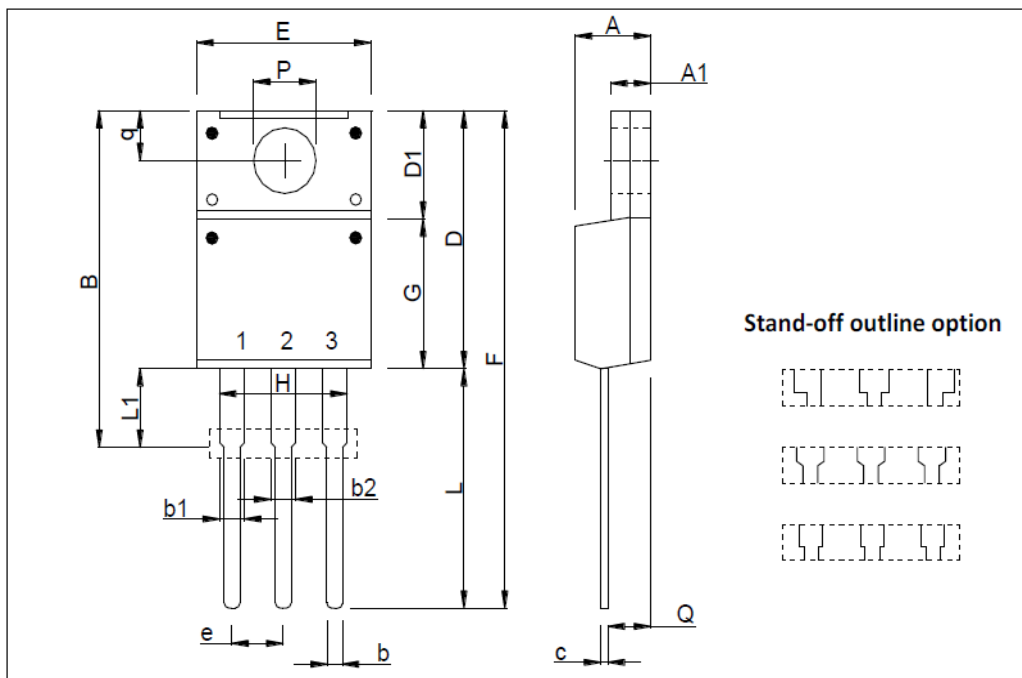
P0470ETF / P0470ETFS

N-Channel Enhancement Mode MOSFET

Package Dimension

TO-220F (3-Lead) MECHANICAL DATA

Dimension	mm			Dimension	mm		
	Min.	Typ.	Max.		Min.	Typ.	Max.
A	4.4		4.93	e	2.34		2.74
A1	2.34		3.1	F	27.2		30.6
B	18.8		20	G	7.7		9.39
b	0.65		1	H	6.18		6.82
b1	0.93		1.6	L	12.7		14.2
b2	0.95		1.6	L1	2.88		3.7
c	0.4		1	P	2.98		3.7
D	13.5		16.4	Q	2.3		2.96
D1	6.48		6.95	q	3.1		3.8
E	9.8		10.4				



*因为各家封装模具不同而外观略有所差异，不影响电性及Layout。

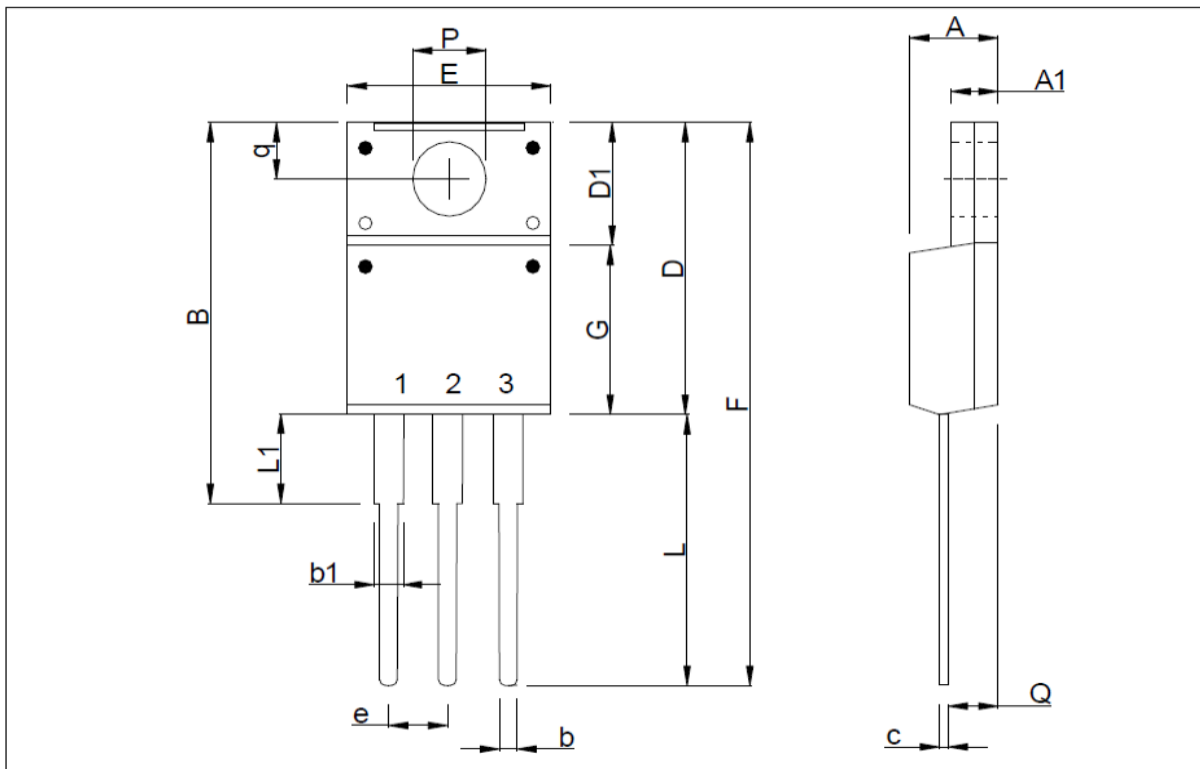
P0470ETF / P0470ETFS

N-Channel Enhancement Mode MOSFET

Package Dimension

TO-220FS (3-Lead) MECHANICAL DATA

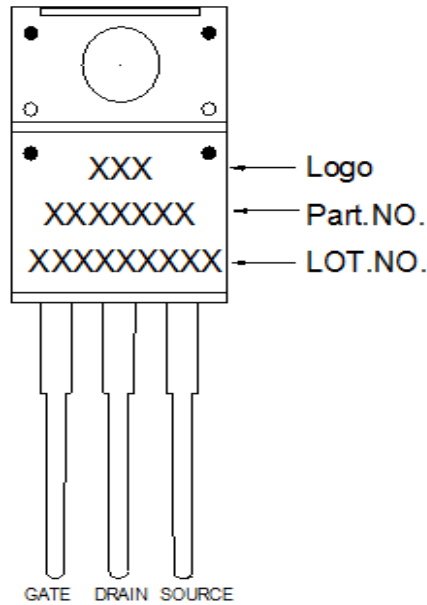
Dimension	mm			Dimension	mm		
	Min.	Typ.	Max.		Min.	Typ.	Max.
A	4.2	4.7	4.93	e	2.05	2.54	3.05
A1	2.34	2.8	3.1	F	28.04		30.3
B	17.7		20.3	G	8.2	8.87	9.57
b	0.65	0.8	1.05	L	12.37		14.3
b1	0.9	1.3	1.5	L1	1.4	2.3	2.5
c	0.4	0.7	1.0	P	2.98	3.2	3.4
D	15.37		16.3	Q	2.1	2.6	2.96
D1	5.5		7.5	q	3.0	3.5	3.8
E	9.7	10.16	10.36				



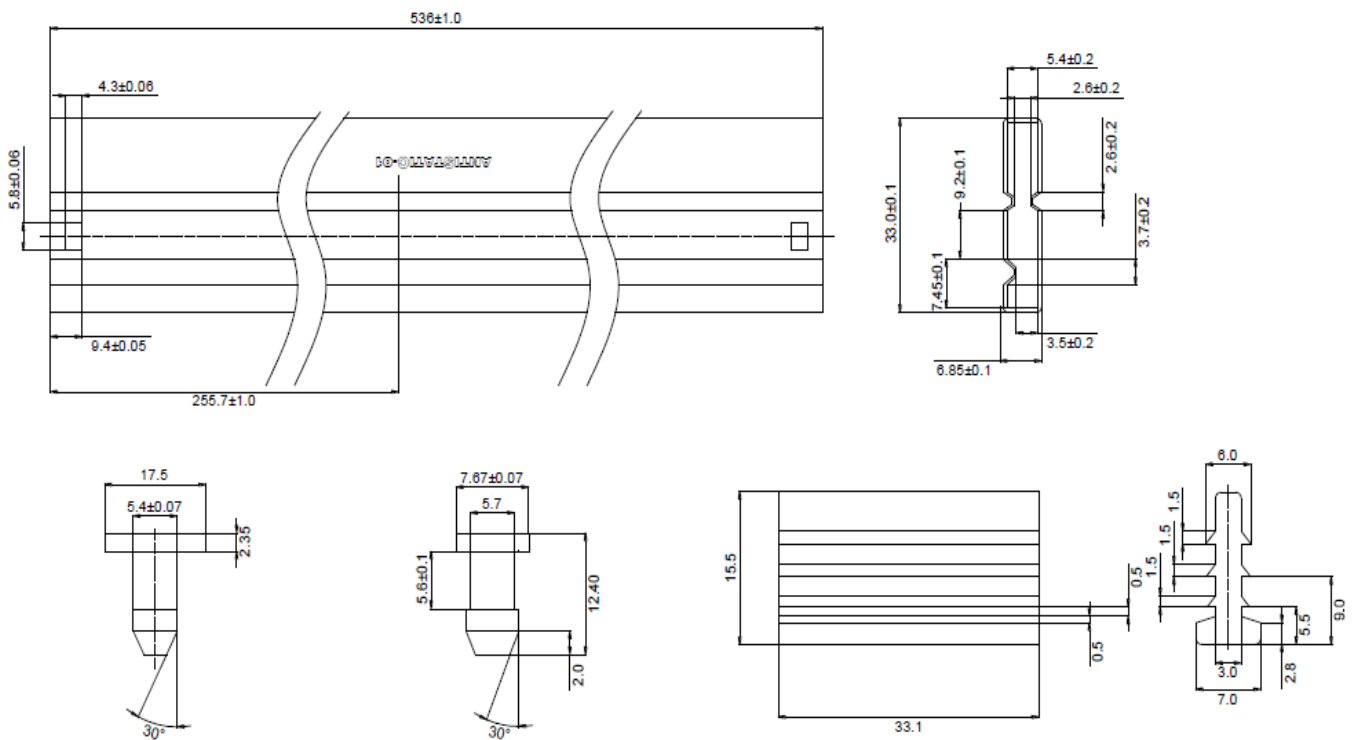
P0470ETF / P0470ETFS

N-Channel Enhancement Mode MOSFET

A. Marking Information



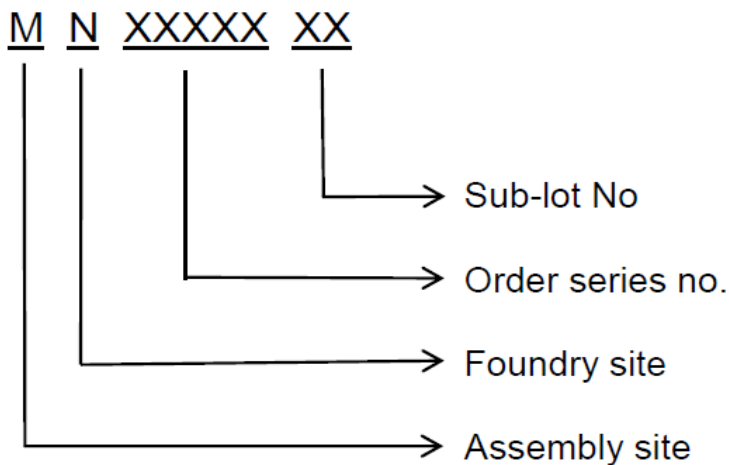
B. Tape & Reel Information: 50pcs/Tube (2000pcs/Box)



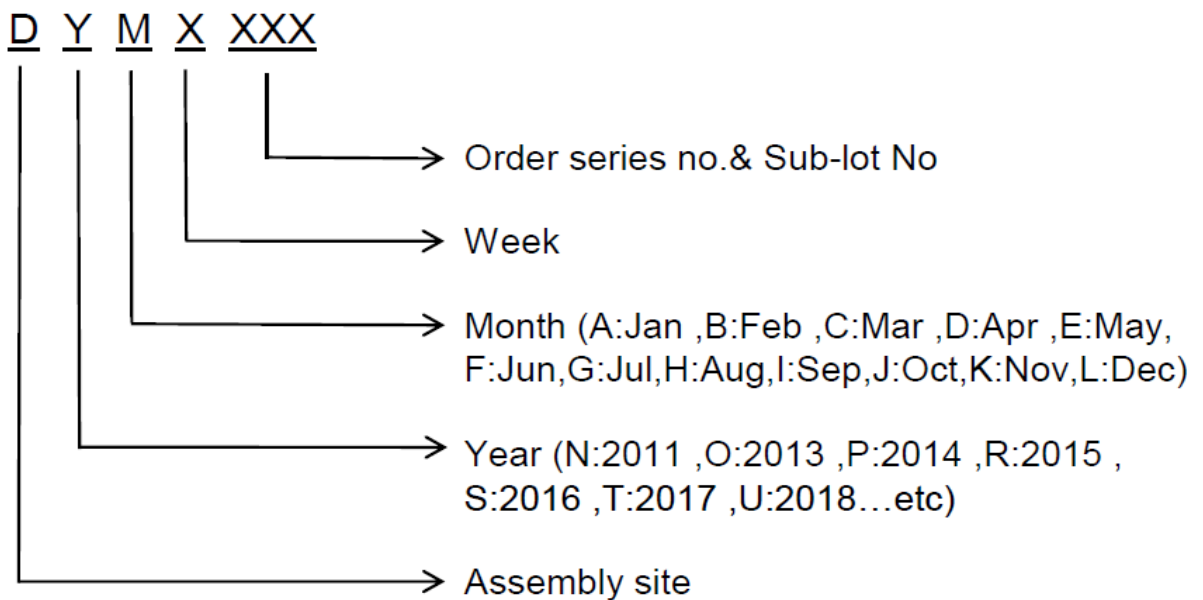
P0470ETF / P0470ETFS
N-Channel Enhancement Mode MOSFET

C. Lot No.&Date Code rule

1.Lot No.



2.Date Code





P0470ETF / P0470ETFS

N-Channel Enhancement Mode MOSFET

D.Label rule

标签内容(Label content)



1	Label Size	30 * 90 mm
2	Font style	Times New Roman or Arial (或可区分英文"0"和数字"0", "G"和"Q"的字型即可)
3	U-NIKC	Height: 4 mm
4	Package	Height: 2 mm
5	Date	Height: 2 mm Shipping date: YYYY/MM/DD, ex. 2008/09/12
6	Device	Height: 3 mm (Max: 16 Digit)
7	Lot	Height: 3 mm (Max: 9 Digit) Sub lot
8	D/C	Height: 3 mm (Max: 7 Digit)
9	QTY	Height: 3 mm (Max: 6 Digit) Thousand mark is no needed
10	RoHS label	 long axis: 12 mm minor axis: 6 mm bottom color: White Font color: Black Font style: Arial
11	Halogen Free label	 Diameter: 10 mm bottom color: Green Font color: Black Font style: Arial
12	Scan information	Device / Lot / D/C / QTY , Insert " / " between every parts. for example: P3055LDG/G12345601/GGG2301/2000 DPI (Dots per inch): Over 300 dpi Code : Code 128 Height: 6 mm at least