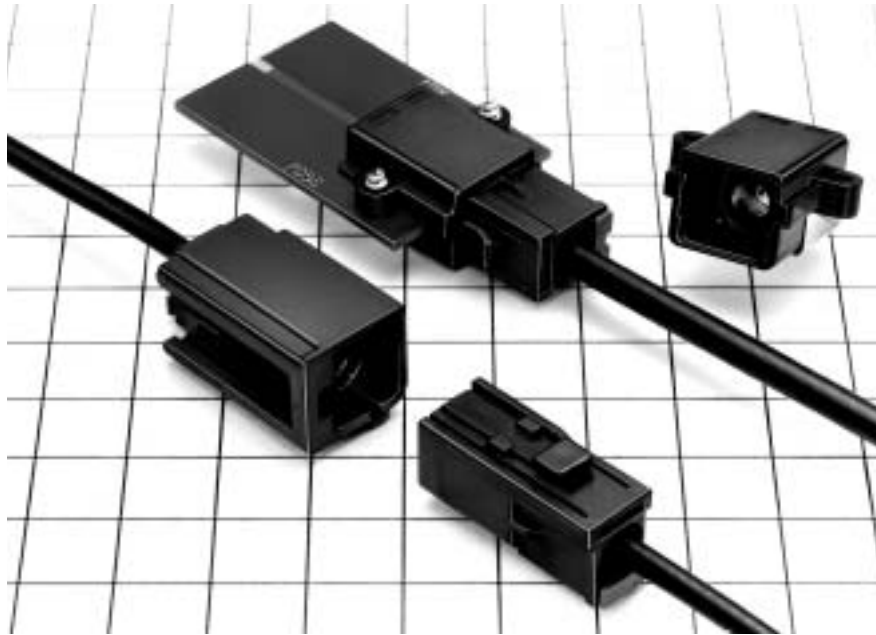


PO5G Series

— 5.8 GHz Mobile Coaxial Connectors —



■ Features

- Lock-release latching system
- Excellent High Frequency Performance
 - DC to 3 GHz: VSWR of 1.3 max.
 - 3 to 6 GHz: VSWR of 1.5 max.
- Suits 50 ohms polyethylene foam insulated coaxial cable.
- The board-side connector is of the board cut-out type.

■ Applications

ETC, GPS, and VICS.

■ Specifications

Rating	Characteristic impedance: 50 ohms Rating frequency: DC to 6 GHz	Operating temperature range: -40°C to +105°C Operating humidity: 90% max.
--------	--	--

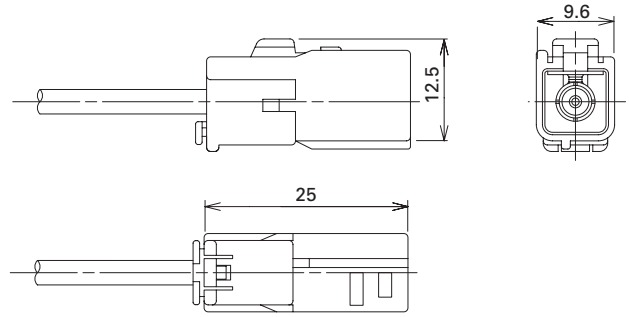
Rating	Specification	Conditions
Contact resistance	Center: 30 m ohms Outside: 30 m ohms	100 mA max.
Insulation resistance	100 M ohms min.	500 V DC
Withstanding voltage	No flashover or insulation breakdown	650 V AC / one minute
V.S.W.R.	1.3 max. 1.5 max.	DC to 3 GHz 3 to 6 GHz

Note: 1.6max. (3 to 6GHz) for jacks

■ Materials

Part	Material	Finish
Shell	Phosphor bronze	Tin plating
Insulator	PBT	94V-0 (White)
Housing	PBT	94HB (Black)
Retainer	PBT	94V-0 (Gray)
Contacts	Phosphor bronze	Gold plating
Ground plate	Phosphor bronze	Tin plating

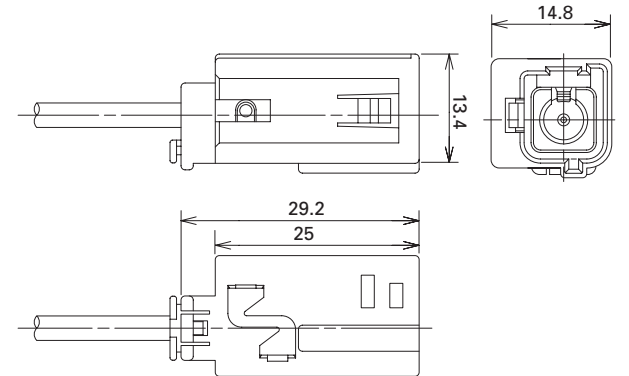
● Plugs



* Completed with 3 products

Item	Part Number	CL No.	Remarks
Straight plug for 1.5D cable	P05G-P-1.5DHQS	312-0192-8	Applicable cable 1.5DS-GXC-SP: Manufactured by Sumitomo Electric Industries, Ltd.
	P05G-CONTACT/F1.5	312-0195-6	Female Inner contacts 10,000 pcs. per reel
	GT5-1P/S-R	755-0006-2	
Straight plug for 2.5D cable	P05G-P-2.5GXC	312-0198-4	Applicable cable 2.5DS-GXC(3.8): Manufactured by Sumitomo Electric Industries, Ltd.
	P05G-CONTACT/F2.5	312-0203-2	Female center contacts 10,000 pcs. per reel
	GT5-1P/S-R	755-0006-2	

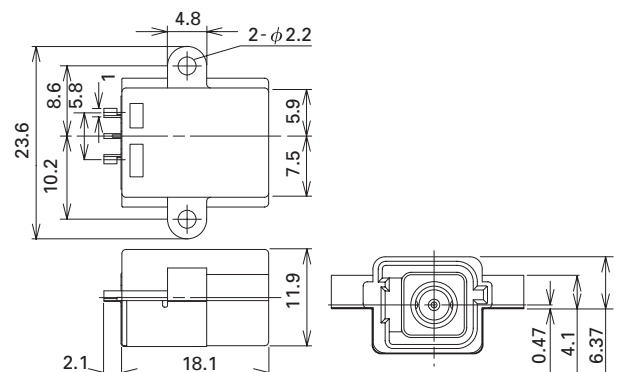
● Jacks (for in-line use)



* Completed with 3 products

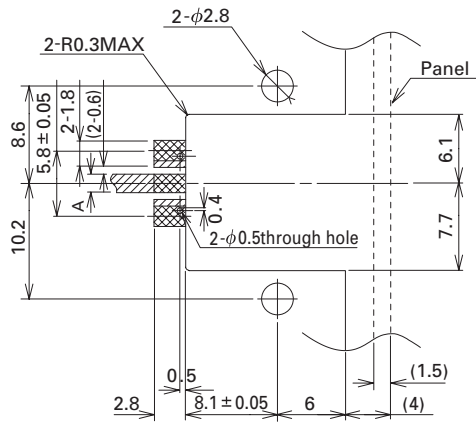
Item	Part Number	CL No.	Remarks
Straight plug for 1.5D cable	P05G-J-1.5DHQS	312-0200-4	Applicable cable 1.5DS-GXC-SP: Manufactured by Sumitomo Electric Industries, Ltd.
	P05G-CONTACT/M1.5	312-0201-7	male center contacts 10,000 pcs. per reel
	GT5-1P/S-R	755-0006-2	

● Receptacles



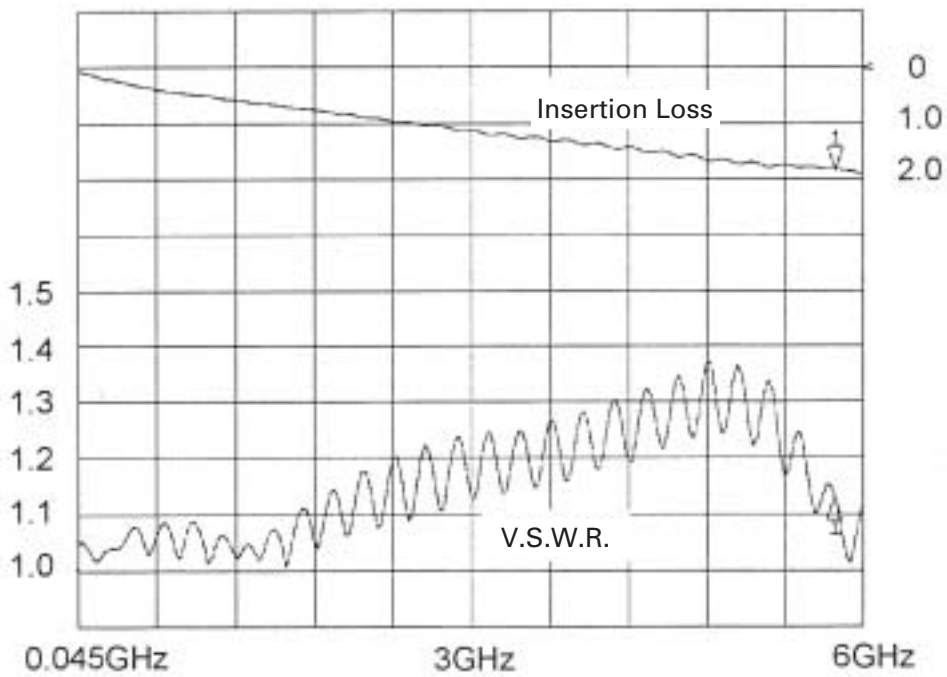
Part Number	CL No.
P05G-LR-PC	312-0191-5

◆ Recommended PCB Mounting Pattern



* Set dimension A to give 50Ω characteristics.
Reference example: Glass epoxy $t = 1.0$ ($\epsilon = 4.8$) $A = 1.65$

● High Frequency Characteristics (V.S.W.R.)



Measurement System

