



WESTCODE SEMICONDUCTORS

Technical
Publication
TP095P/R
Issue 2
November 1984

Inverter Grade Stud-Base Thyristor Type P095P/P095R 95 amperes average: up to 1200 volts V_{RRM}/V_{DRM}

Ratings (Maximum values at 125°C Tj unless stated otherwise)

| RATING | CONDITIONS | SYMBOL | |
|--|--|--------------|------------------------|
| Average on-state current | Half sine wave 85°C case temperature | $I_{T(AV)}$ | 95 A |
| R.M.S. on-state current | | $I_{T(RMS)}$ | 175 A |
| Continuous on-state current | | I_T | 175 A |
| Peak one-cycle surge (non-repetitive) on state current | 10ms duration, 60% V_{RRM} re-applied | $I_{TSM(1)}$ | 1850 A |
| | 10ms duration, $V_R \leq 10$ volts | $I_{TSM(2)}$ | 2035 A |
| Maximum permissible surge energy | 10ms duration, $V_R \leq 10$ volts | $I^2t(2)$ | 20700 A ² s |
| | 3ms duration, $V_R \leq 10$ volts | I^2t | 15400 A ² s |
| Peak forward gate current | Anode positive with respect to cathode | I_{FGM} | 14 A |
| Peak forward gate voltage | Anode positive with respect to cathode | V_{FGM} | 20 V |
| Peak reverse gate voltage | | V_{RGM} | 5 V |
| Average gate power | | P_G | 1.5 W |
| Peak gate power | 100µs. pulse width | P_{GM} | 60 W |
| Rate of rise of off-state voltage | To 80% V_{DRM} gate open-circuit | dv/dt | *200 V/µs |
| Rate of rise of on-state current (repetitive) | Gate drive 20 volts, 20 ohms with $t_r \leq 1\mu s$. Anode voltage $\leq 80\% V_{DRM}$ | $di/dt(1)$ | 500 A/µs |
| Rate of rise of on-state current (non-repetitive) | | $di/dt(2)$ | 1000 A/µs |
| Operating temperature range | | T_{CASE} | -40 + 125°C |
| Storage temperature range | | T_{stg} | -40 + 150°C |

Characteristics (Maximum values at 125°C Tj unless stated otherwise)

| CHARACTERISTIC | CONDITIONS | SYMBOL | |
|---|---|------------------|----------|
| Peak on-state voltage | At 280 A, I_{TM} | V_{TM} | 1.92 V |
| Forward conduction threshold voltage | | V_O | 1.35 V |
| Forward conduction slope resistance | | r | 2.04 mΩ |
| Repetitive peak off-state current | At V_{DRM} | I_{DRM} | 20 mA |
| Repetitive peak reverse current | At V_{RRM} | I_{RRM} | 20 mA |
| Maximum gate current required to fire all devices | At 25°C, $V_A = 6$ V, $I_A = 1$ A | I_{GT} | 200 mA |
| Maximum gate voltage required to fire all devices | | V_{GT} | 3 V |
| Maximum holding current | | I_H | 600 mA |
| Maximum gate voltage which will not trigger any device | | V_{GD} | 0.25 V |
| Stored charge | $I_{TM} = 200$ A, di/dt 10 A/µs $V_{RM} = 50$ V, 50% chord value | Q_{rr} typical | 25 µC |
| Circuit commutated turn-off time available down to | $I_{TM} = 200$ A $di/dt = 10$ A/µs, $V_{RM} = 50$ V | t_q | 25-40 µs |
| Thermal resistance, junction to case for a device with a maximum forward volt drop characteristic | | t_q typical | 20-35 µs |
| | | $R_{th(j-c)}$ | 0.23°C/W |

| VOLTAGE CODE | H02 | H04 | H06 | H08 | H10 | H12 | | |
|---|----------------------------------|-----|-----|-----|-----|------|------|--|
| Repetitive peak voltages Non-repetitive peak off-state voltage | V_{RRM} V_{DRM} V_{DSM} | 200 | 400 | 600 | 800 | 1000 | 1200 | |
| Non-repetitive peak reverse blocking voltage | V_{RSM} | 300 | 500 | 700 | 900 | 1100 | 1300 | |

Ordering Information (Please quote device code as explained below)

| P | 0 | 9 | 5 | ● | ● | ● | ● | ● | 0 |
|--|----------------------------|---|---|---|---|---|---|---|---|
| P = leaded device R = lugged device | Voltage Code (see ratings) | | | | dv/dt code to 80% V_{DRM} C = 20V/µs E = 100V/µs D = 50V/µs F = 200V/µs | | Turn-off time 2K = 40 µs G = 35 µs H = 30 µs J = 25 µs K = 20 µs | | |

Typical code: P095PH08FJ0 = 800 V_{RRM} 800 V_{DRM} 200 V/µs dv/dt to 80% V_{DRM} 25 µs turn-off

*Other values of dv/dt up to 1000 V/µs, and turn-off time may be available.

1. INTRODUCTION

The P095P thyristor series are diffused regenerative gate devices employing a 19 mm slice in a stud based top-hat housing.

2. NOTES ON THE RATINGS

(a) Rate of rise of on-state current

The maximum un-primed rate of rise of on-state current must not exceed 1000 A/ μ s at any time during turn-on on a non-repetitive basis. For repetitive performance the on-state rate of rise of current must not exceed 500 A/ μ s at any time during turn-on. Note that these values of current rate of rise apply to the circuit external to the device and its specified snubber network and device current rates of rise will be higher.

(b) Square wave ratings

These ratings are given for leading edge linear rates of rise of forward current of 100 and 250 A/ μ s.

(c) Duty Cycle Lines

The 100% duty cycle line appears on all these ratings. These frequency ratings are presented in the form that all duty cycles may be represented by straight parallel lines.

(d) Maximum operating Frequency

The maximum operating frequency, f_{max} , is set by the time required for the thyristor to turn off (t_q) and for the off-state voltage to reach full value (t_v), i.e.

$$f_{max} = \frac{1}{t_{pulse} + t_q + t_v}$$

(e) Energy per pulse characteristics

These curves enable rapid estimation of device dissipation to be obtained for conditions not covered by the frequency ratings.

Let E_p be the Energy per pulse for a given current and pulse width, in joules.

$$\text{Then } W_{AV} = E_p \times f.$$

3. REVERSE RECOVERY LOSS

On account of the number of circuit variables affecting reverse recovery voltage, no allowance for reverse recovery loss has been made in these ratings. The following procedure is recommended for use where it is necessary to include reverse recovery loss.

(a) Determination by Measurement

From waveforms of recovery current obtained from a high frequency shunt (see Note 1) and reverse voltage present during recovery, an instantaneous reverse recovery loss waveform must be constructed. Let the area under this waveform be A joules per pulse. A new case temperature can then be evaluated from:

$$T_{CASE} \text{ (new)} = T_{CASE} \text{ (original)} - A \left(\frac{r_t \cdot 10^6}{t} + R_{th} \times f \right)$$

$$\text{where } r_t = 3.47 \times 10^{-4} \sqrt{t}$$

t = duration of reverse recovery loss per pulse in microseconds

A = Area under reverse loss waveform per pulse in joules (W.S.)

f = rated frequency at the original case temperature

The total dissipation is now given by

$$W_{(TOT)} = W_{(original)} + A \times f$$

(b) Design Method

In circumstances where it is not possible to measure voltage and current conditions, or for design purposes, the additional losses may be estimated from figure 7. A typical R-C snubber network is connected across the thyristor to control the transient reverse voltage waveform.

Let E be the value of energy per reverse cycle in joules (figure 7).

Let f be the operating frequency in Hz

$$\text{then } T_{CASE \text{ new}} = T_{CASE \text{ original}} - ER_{th} \times f$$

where $T_{CASE \text{ new}}$ is the required maximum case temperature

and $T_{CASE \text{ original}}$ is the case temperature given with the frequency ratings.

4. GATE DRIVE

The recommended gate drive is 20 V, 20 ohms with a short-circuit current rise time of not more than 1 μ s. This gate drive must be applied when using the full di/dt capability of the device.

5. THE DV/DT SUPPRESSION NETWORK

The effect of a conventional resistor-capacitor snubber of 0.25 μ F 5 ohms has been included in these ratings and all rating di/dt values apply to the circuit external to the thyristor and its suppression network.

Snubber Network Values

A series connected C-R filter may be required across the anode to cathode terminals of the thyristor for the purpose of reducing off-state voltage overshoot.

The optimum values for C and R depend partly on the circuits connected to the thyristor. For most applications the snubber design values should not exceed a maximum of 0.25 μ F or a minimum of 5 ohms. Please consult Westcode for values outside these limits.

6. NOTE 1

REVERSE RECOVERY LOSS BY MEASUREMENT

This thyristor has a low reverse recovered charge and peak reverse recovery current. When measuring the charge care must be taken to ensure that:

- a.c. coupled devices such as current transformers are not affected by prior passage of high amplitude forward current.
- The measuring oscilloscope has adequate dynamic range — typically 100 screen heights — to cope with the initial forward current without overload.

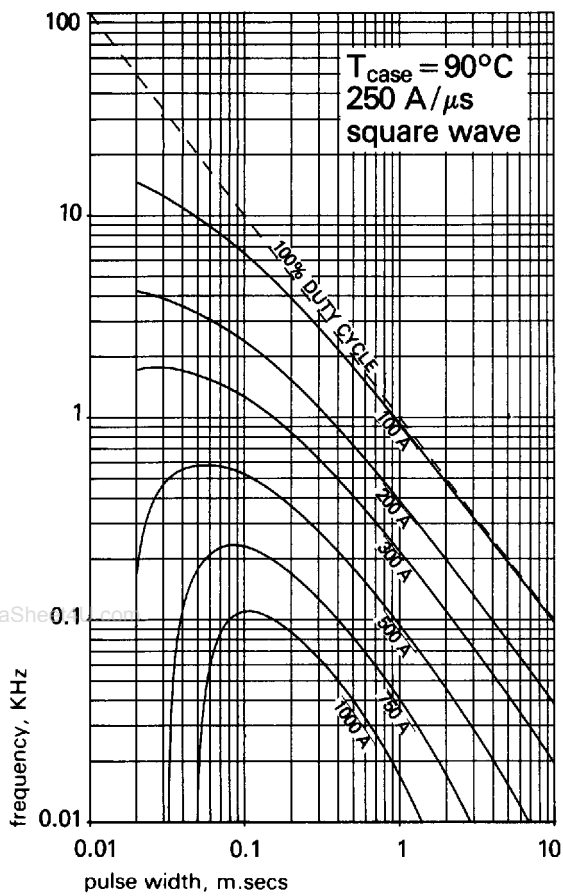


Figure 1 Frequency v. pulse width

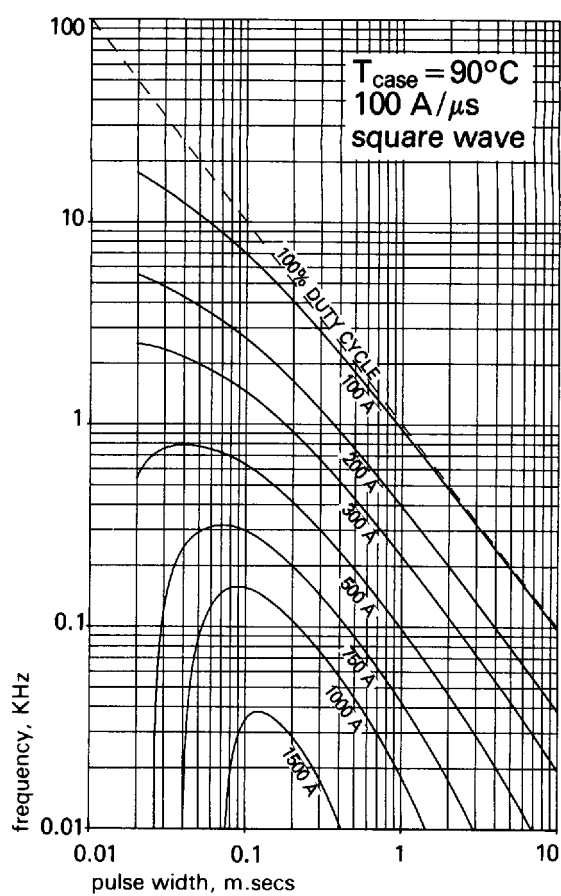


Figure 2 Frequency v. pulse width

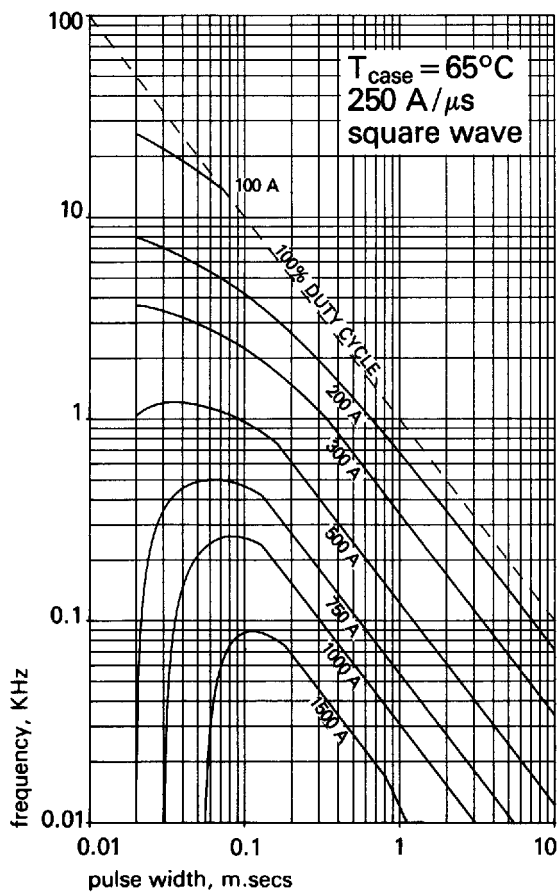


Figure 3 Frequency v. pulse width

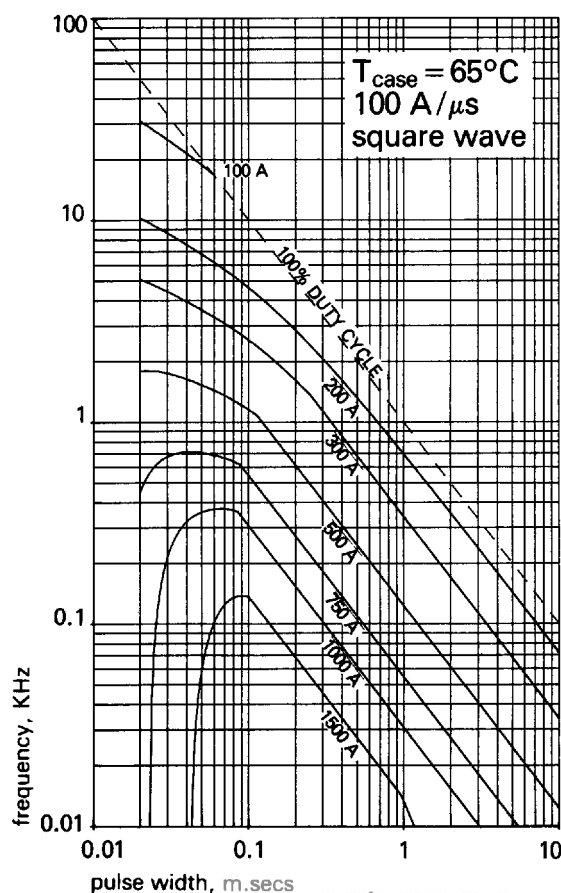


Figure 4 Frequency v. pulse width

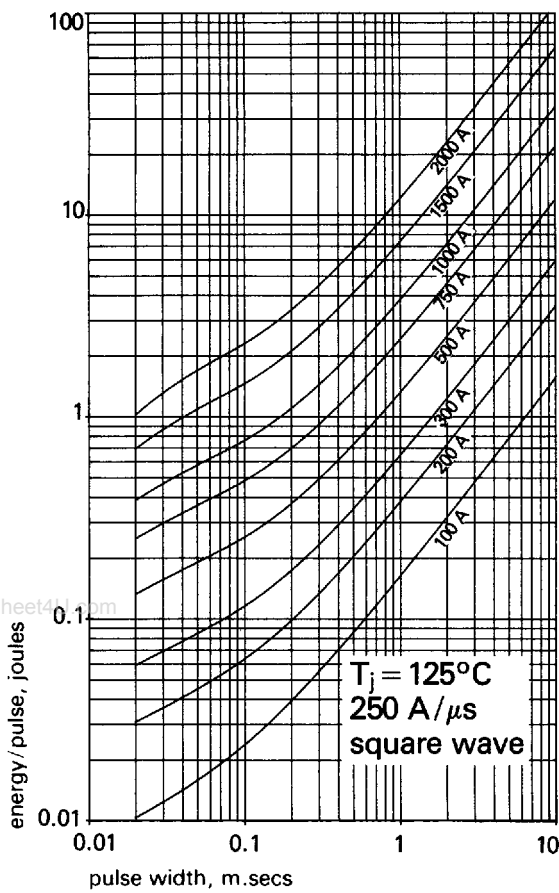


Figure 5 Energy/pulse v. pulse width

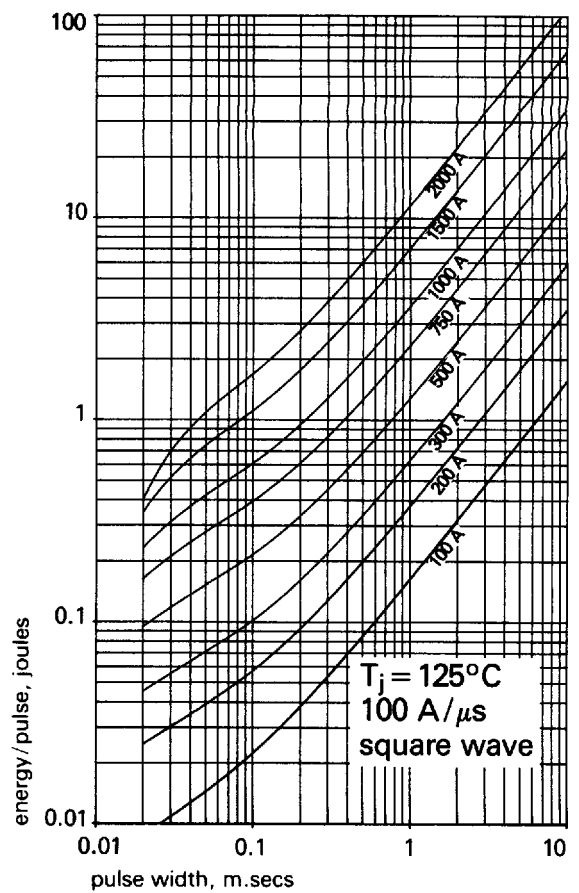


Figure 6 Energy/pulse v. pulse width

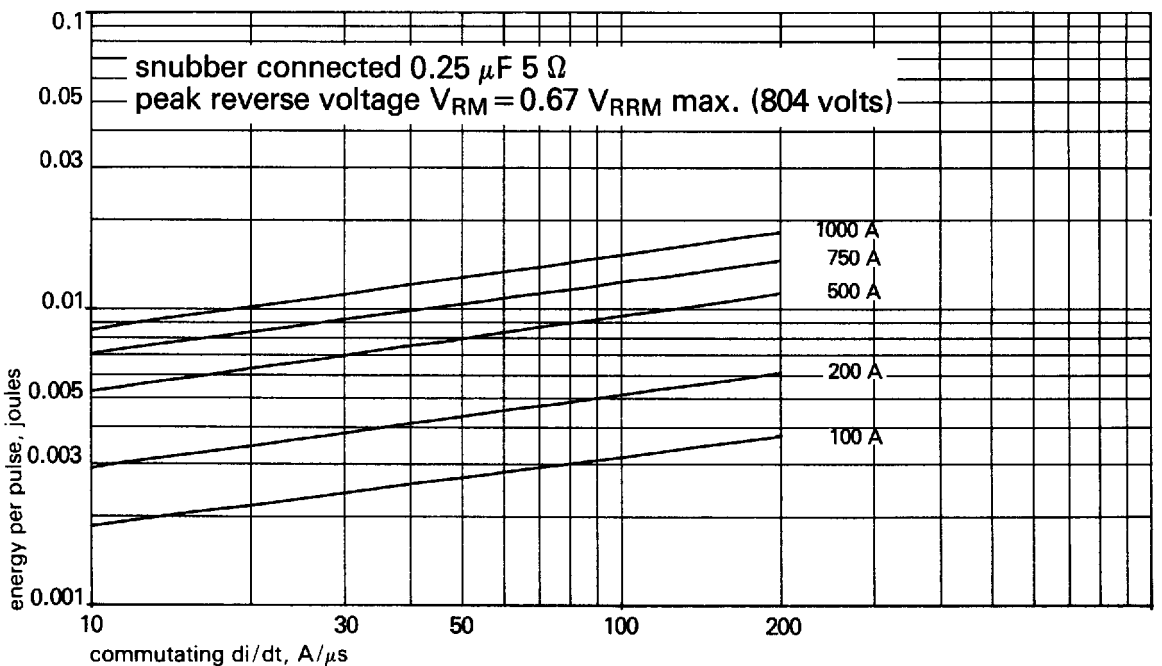


Figure 7 Max. reverse recovery energy loss per pulse at 125°C junction temperature and $V_{RM} = 804 \text{ volts}$.

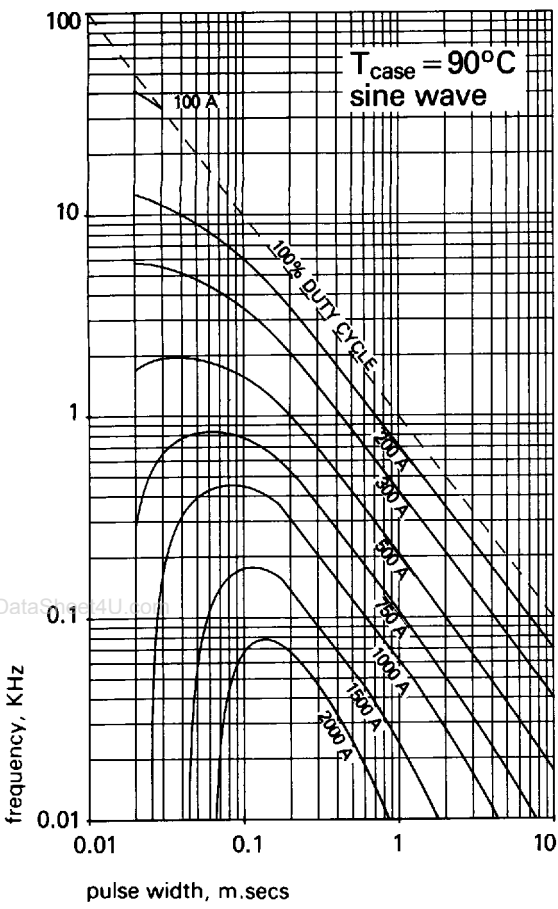


Figure 8 Frequency v. pulse width

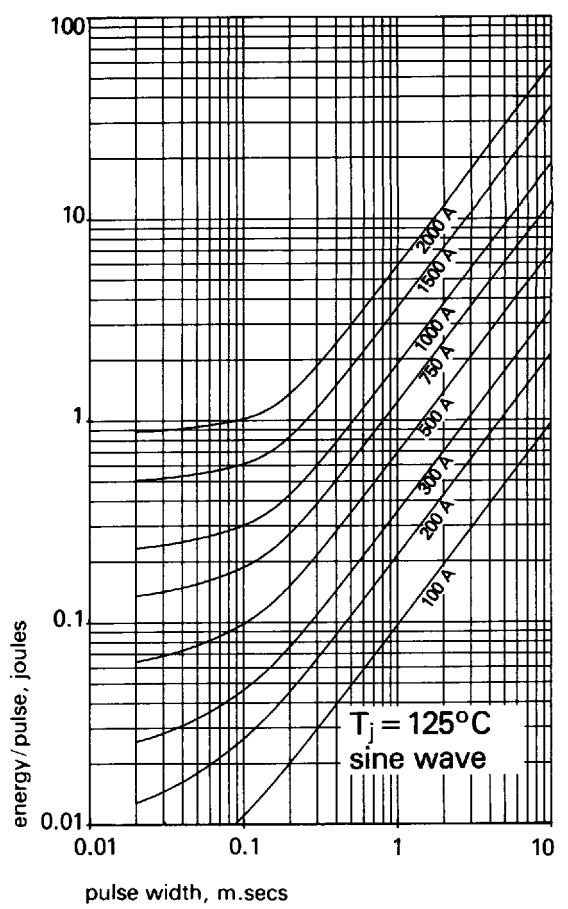


Figure 9 Energy/pulse v. pulse width

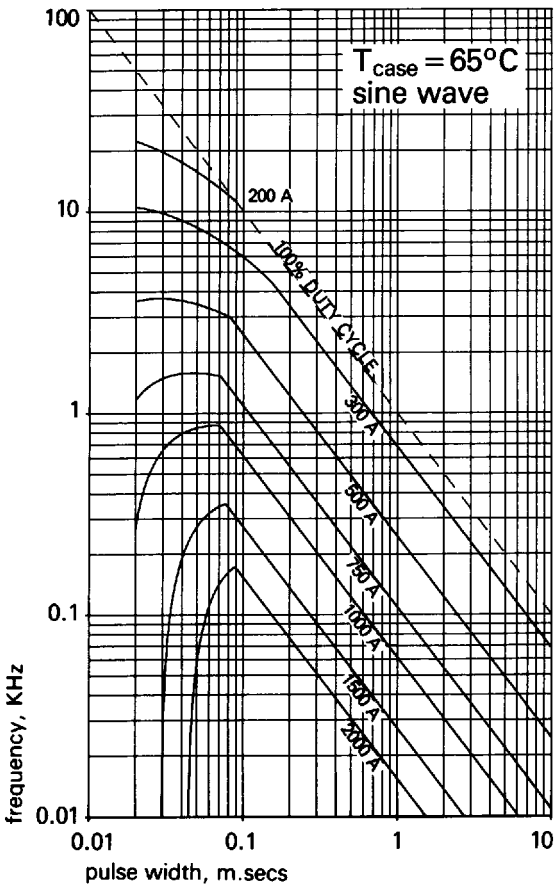


Figure 10 Frequency v. pulse width

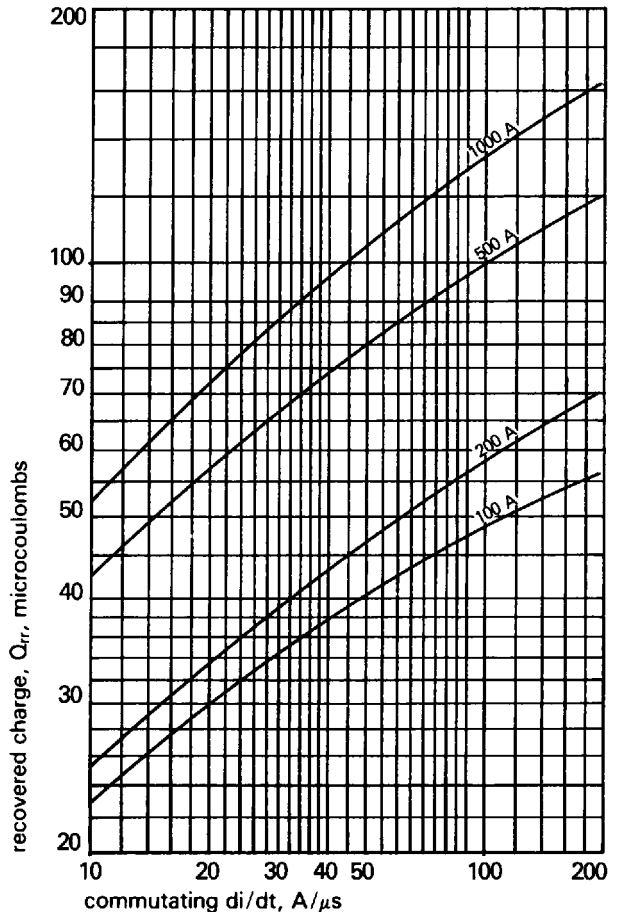


Figure 11 Typical recovered charge at 125°C junction temperature

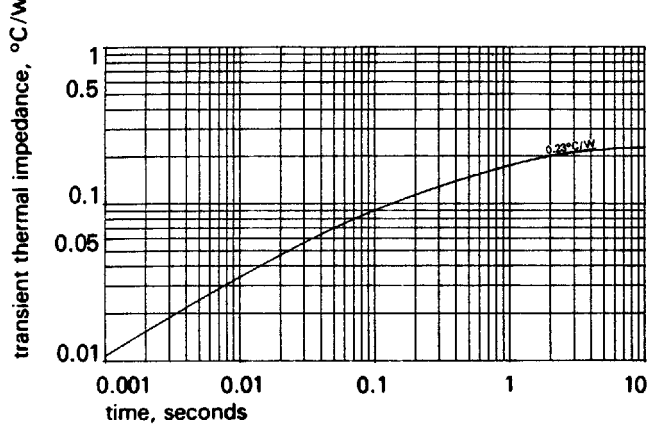


Figure 12 Junction to case transient thermal impedance

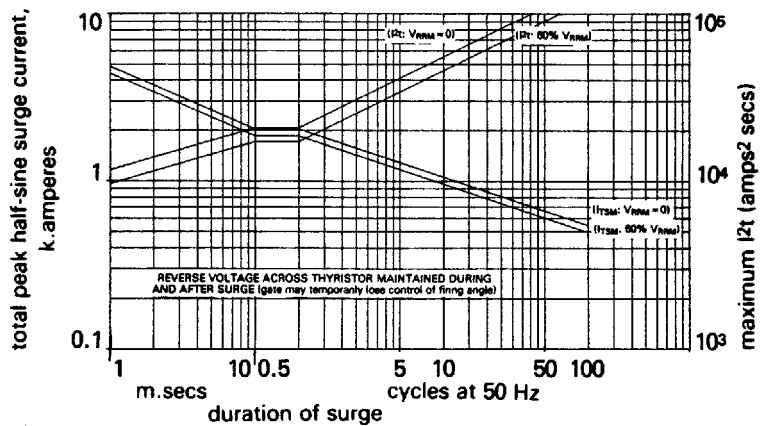


Figure 13 Max. non-repetitive surge current at initial junction temperature 125°C
Note: This rating must not be interpreted as an intermittent rating

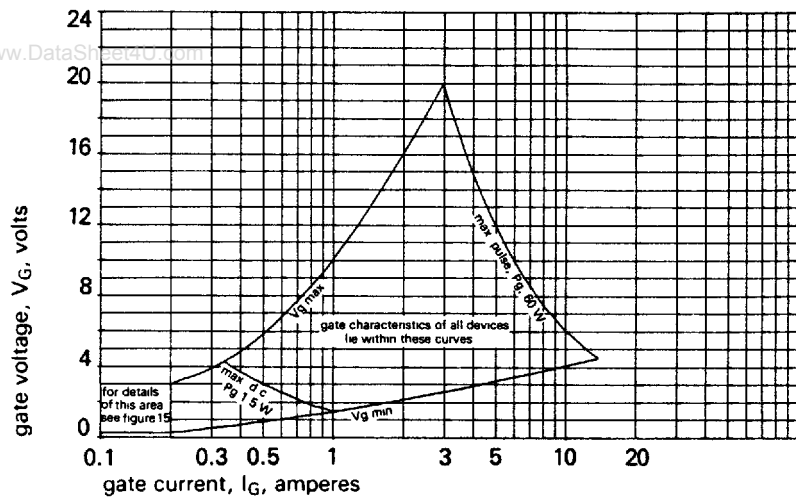


Figure 14 Gate characteristics at 25°C junction temperature

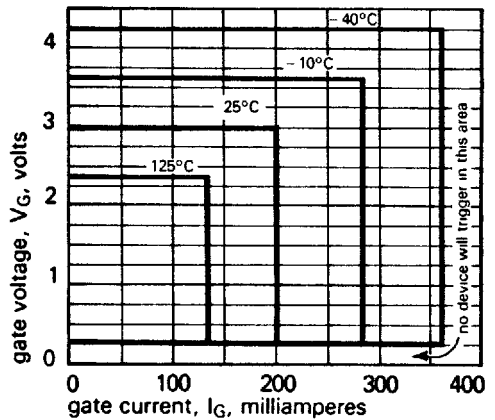


Figure 15 Gate triggering characteristics.

Trigger points of all thyristors lie within the areas shown. Gate drive load line must lie outside appropriate I_G/V_G rectangle

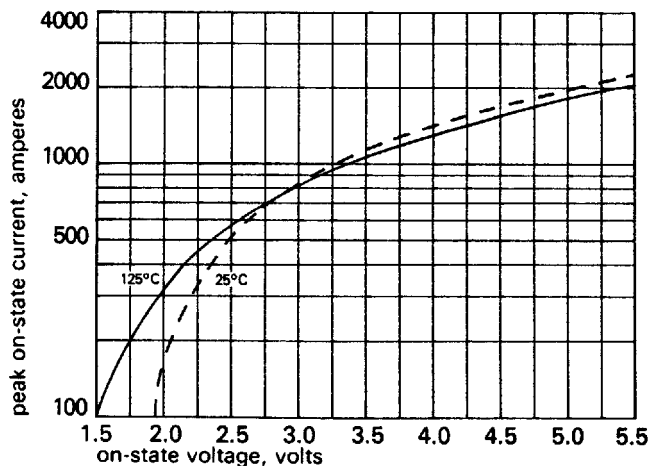
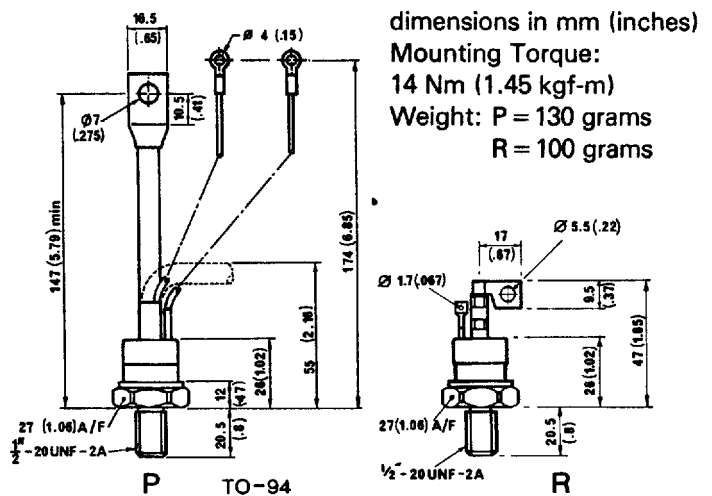


Figure 16 Limit on-state current



In the interest of product improvement, Westcode reserves the right to change specifications at any time without notice.

WESTCODE SEMICONDUCTORS LTD

P.O. Box 57 Chippenham Wiltshire SN15 1JL England
Telephone Chippenham (0249) 654141 Telex 44751

HAWKER SIDDELEY
Westinghouse Brake and Signal Co. Ltd.

www.DataSheet4U.com