

Surface Mount Rectifiers

P100JCF--P100KCF

Features

- Planar passivated chips
- Ultra low leakage reverse current
- High temperature performance
- High surge current capability
- RoHS Compliant



Mechanical Data

- Case: SMCF molded plastic
- Molding compound, UL flammability classification rating 94V-0
- Terminals: Solder plated, solderable per MIL- STD-202, Method 208
- Polarity: Color band denotes cathode end

Maximum Ratings (@T_A = 25°C unless otherwise specified)

Characteristic		Symbol	P100JCF	P100KCF	Units
Peak repetitive reverse voltage		V _{RRM}	600	800	V
RMS reverse voltage		V _{RMS}	420	560	V
DC blocking voltage		V _{DC}	600	800	V
Maximum average forward output current		I _{F(AV)}	10		A
Peak forward surge current, 8.3ms single half-sine-wave	@T _J = 25°C	I _{FSM}	240		A

Thermal Characteristics

Parameter	Symbol	P100JCF	P100KCF	Units
Typical thermal resistance (Note 1)	R _{θJA}	27		°C /W
	R _{θJC}	10		
	R _{θJL}	4		
Operating junction temperature range	T _J	- 55 ---- + 150		°C
Storage temperature range	T _{STG}	- 55 ---- + 150		°C

Note:

1. Device mounted on PCB with 10 mm x 20 mm x 0.1mm copper pad areas

Surface Mount Rectifiers
P100JCF--P100KCF
Electrical Characteristics (@ $T_A = 25^\circ\text{C}$ unless otherwise specified)

Parameter	Symbol	Test conditions		Typ.	Max.	Units
Maximum instantaneous forward voltage	V_F	$I_F=10\text{A}$		0.98	1.05	V
Maximum Reverse current	I_R	Rated V_R ,	@ $T_A=25^\circ\text{C}$	0.5	2.0	μA
			@ $T_A=150^\circ\text{C}$	50	150	

Surface Mount Rectifiers

P100JCF--P100KCF

Ratings and Characteristic Curves ($T_A=25^\circ\text{C}$ unless otherwise noted)

Fig.1-Forward Current Derating Curve

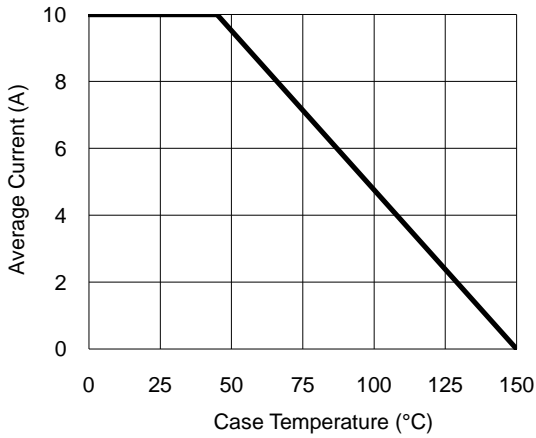


Fig.2- Surge Current Derating Curve

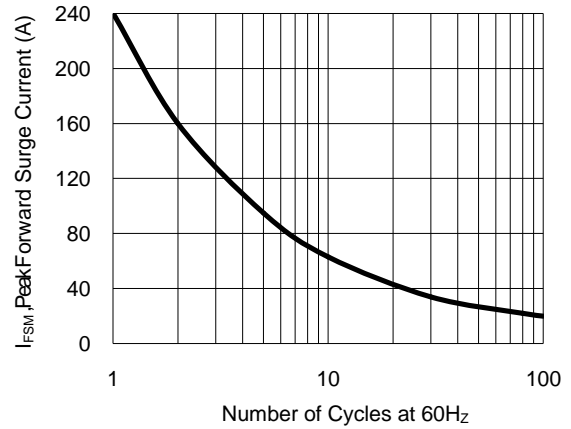


Fig.3- Typical Forward Voltage Characteristic

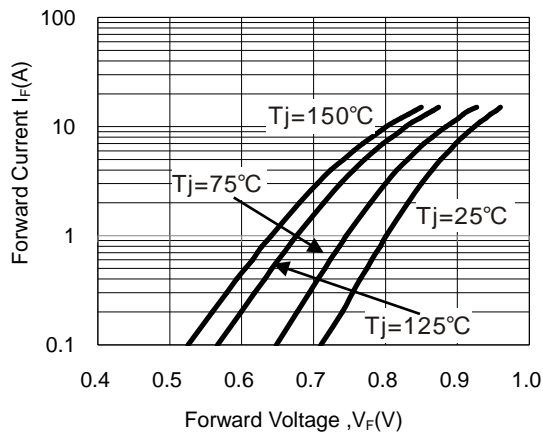
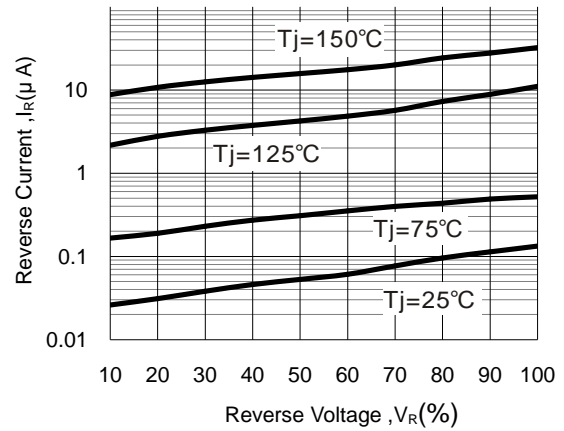


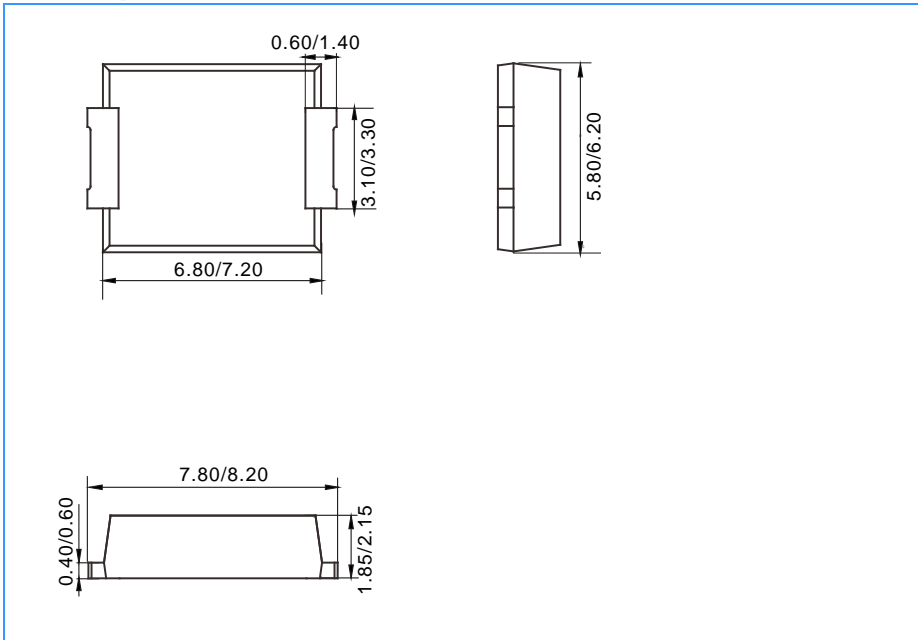
Fig.4- Typical Reverse Characteristic



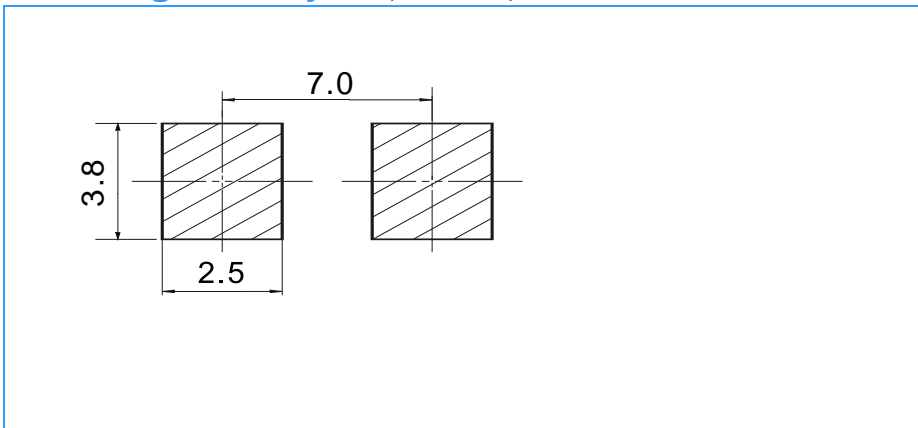
Surface Mount Rectifiers

P100JCF--P100KCF

Package Outline Dimensions(unit:mm)



Mounting Pad Layout(unit:mm)



Ordering Information

Part No.	Marking	Package	Shipping
P100JCF	P100JCF	SMCF	3000 /Tape&Reel
P100KCF	P100KCF	SMCF	3000 /Tape&Reel