

### Designed to Support 1:1 Turns Ratio Transceivers

- ◆ Designed for Ethernet 1000 BASE-T, full Quad port applications.
- ◆ Cable interface for isolation and low common mode emissions
- ◆ RoHS-6 peak reflow temperature rating 260 °C
- ◆ Designed to meet IEEE 802.30 requirement
- ◆ Remark: Contact PPT for further requirements

### Electrical specifications @25 °C -operating temperature: 0 °C to70 °C

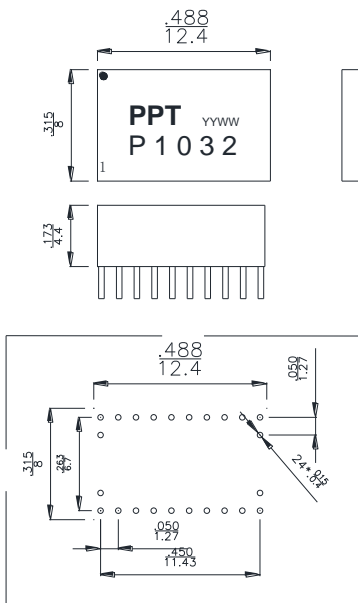
| Part Number | Turns Ratio (±5%) | Line Side Inductance (µH Min.) | Leakage Inductance (µH Max.) | DCR (ΩMax.) | Hi-pot (Vrms) |
|-------------|-------------------|--------------------------------|------------------------------|-------------|---------------|
| P1032       | 1CT:1CT           | 350                            | 0.5                          | 1.5         | 1500          |
| PTG-2401    | 1CT:1CT           | 350                            | 0.5                          | 1.5         | 1500          |
| PTG-1841    | 1CT:1CT           | 350                            | 0.5                          | 1.4         | 1500          |
| PTG-1842    | 1CT:1CT           | 350                            | 0.5                          | 1.5         | 1500          |

| Part Number | Insertion Loss (dB Max.) | Return Loss (dB Min.) |          | DCMR (dB Min.) | Crosstalk (dB Min.) |
|-------------|--------------------------|-----------------------|----------|----------------|---------------------|
|             |                          | 1-30MHz               | 30-60MHz |                |                     |
| P1032       | -1.0                     | -18                   | -14      | -12            | -30                 |
| PTG-2401    | -1.0                     | -16                   | -12      | -11            | -30                 |
| PTG-1841    | -1.0                     | -18                   | -14      | -12            | -30                 |
| PTG-1842    | -1.1                     | -18                   | -14      | -12            | -30                 |

Note: 1.Test condition: Line Side Inductance 350 uH Min. @100KHz, 100mV with 8mA DC Bias

### Mechanical

#### P1032



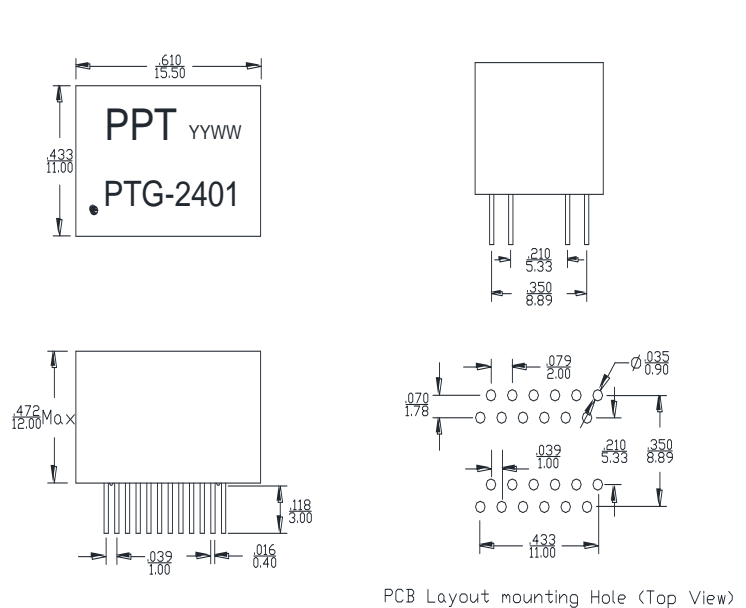
PCB Layout mounting Hole (Top View)

REMARKS:

dimension:  $\frac{\text{inches}}{\text{mm}}$

unless otherwise specified, all tolerances are:  $\pm \frac{0.01}{0.25}$

#### PTG-2401

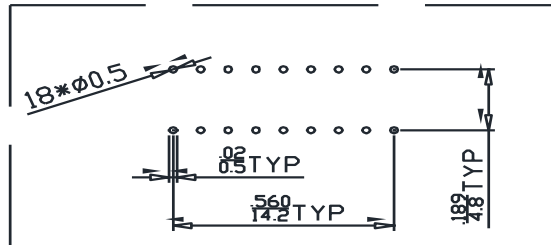
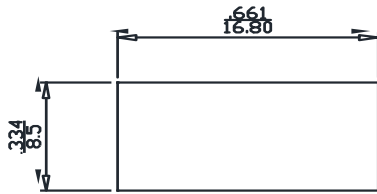


PCB Layout mounting Hole (Top View)

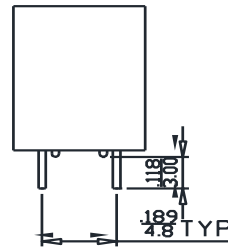
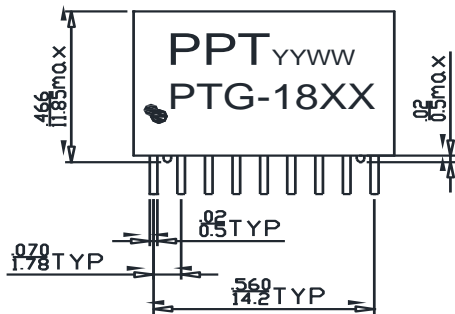
Designed to Support 1:1 Turns Ratio Transceivers

### Mechanicals

PTG-1841, PTG-1842



PCB Layout mounting Hole (Top View)



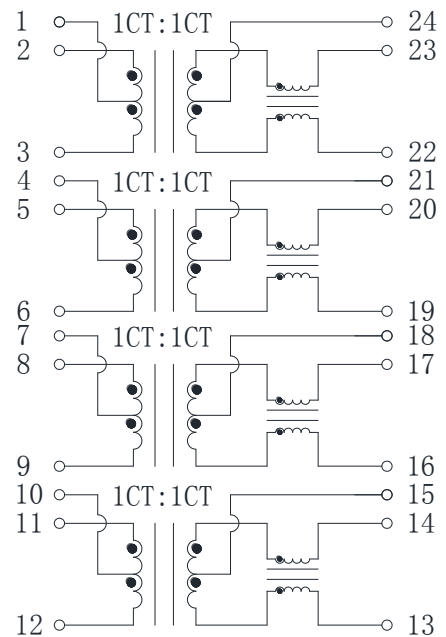
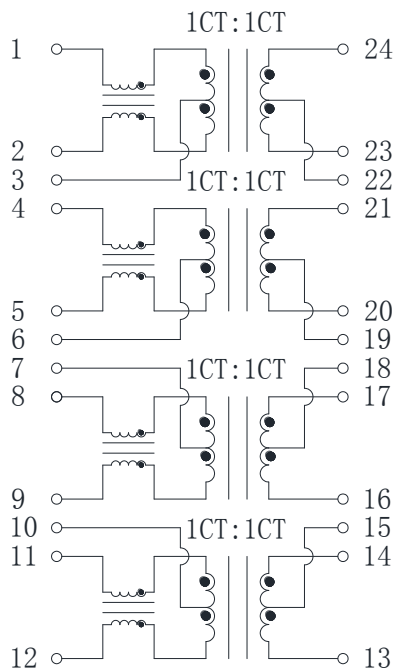
dimension:  $\frac{\text{inches}}{\text{mm}}$

unless otherwise specified, all tolerances are:  $\pm \frac{0.01}{0.25}$

### Schematics

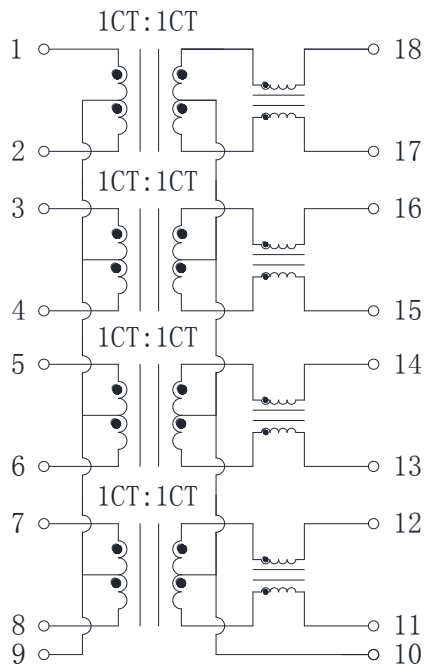
P1032

PTG-2401



### Schematics

PTG-1841



PTG-1842

