



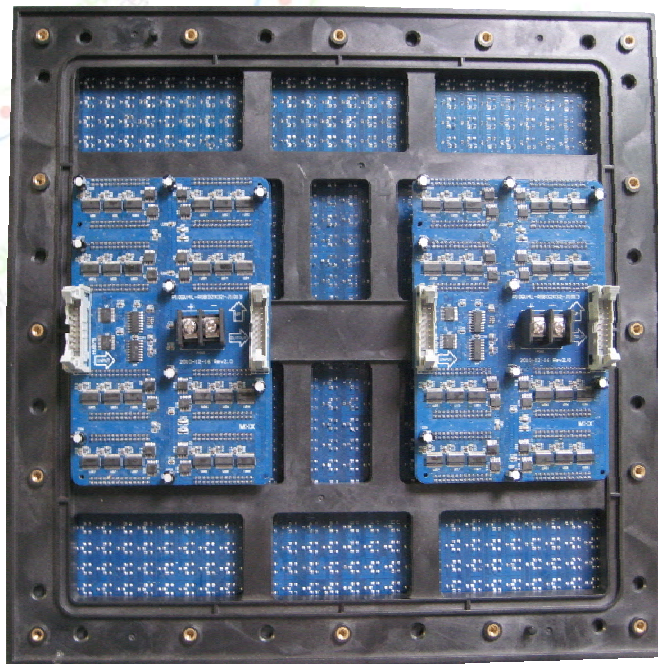
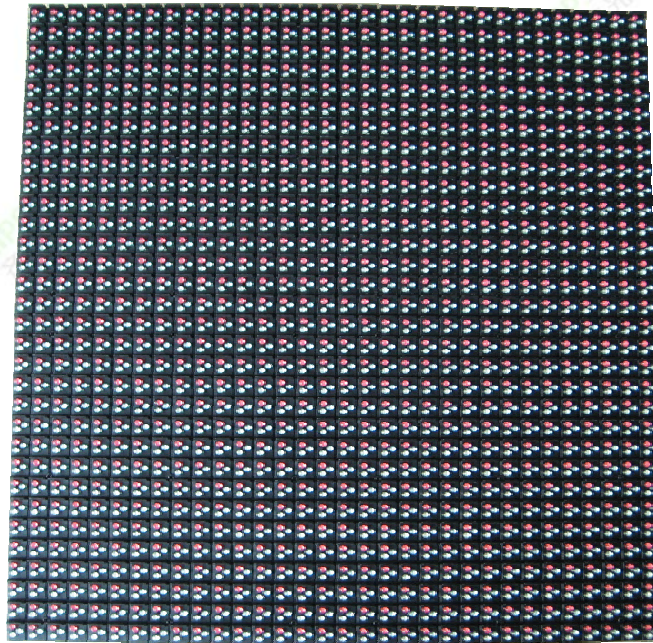
深圳市齐普光电有限公司
Shenzhen Chip Optech Co., Ltd.

Specification

Documents No.: 2011.5.16

Product Name: P10 outdoor full color led display

Product Model: P10U4L-RGB32x32-B960x960



Formulate:

Audit:

Approve:

Tel: +86 755 83419012

Fax: +86 755 82975893

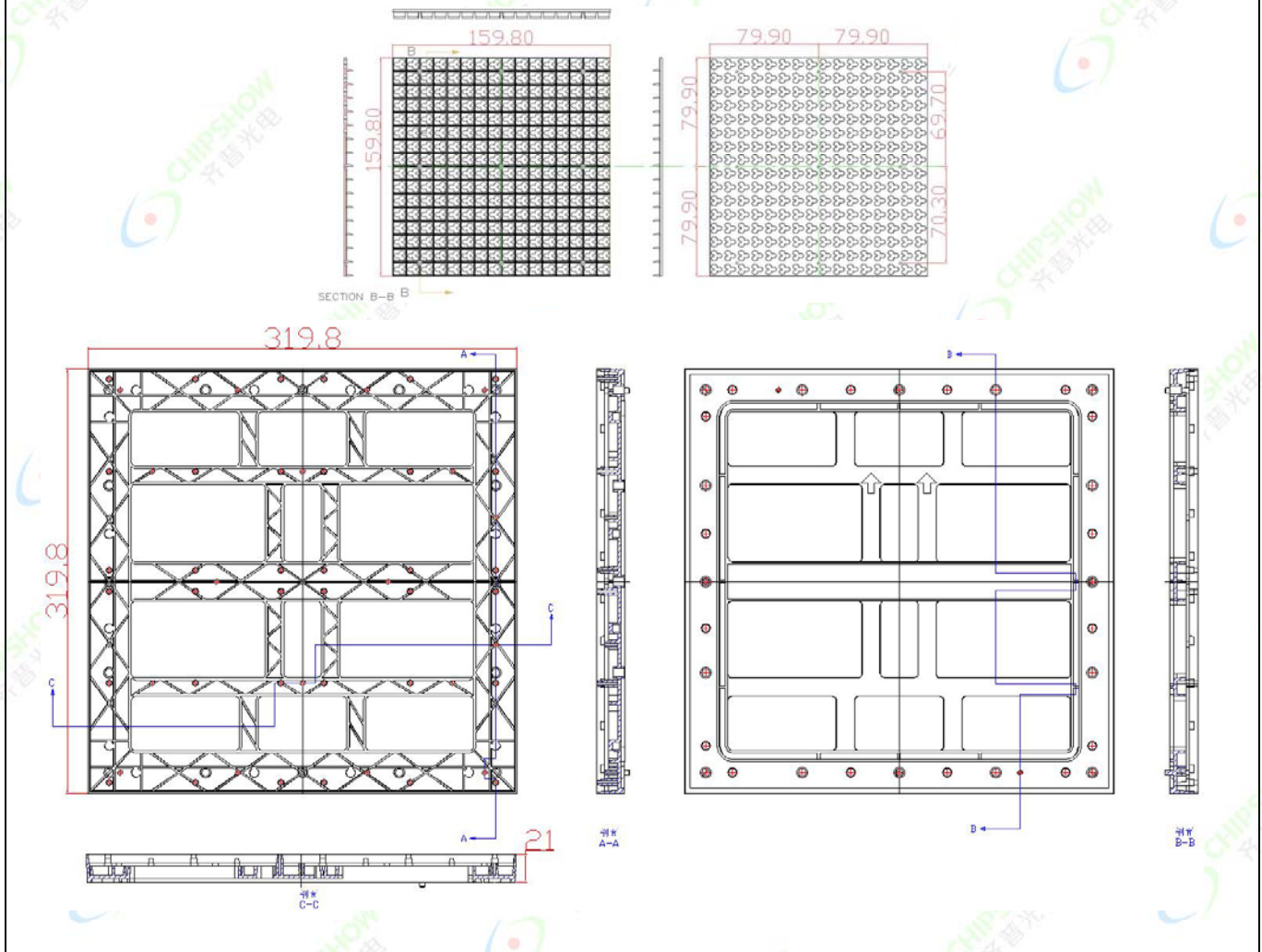
URL: www.chipshow.com

Product model: P10U4L-RGB32x32-J960x960

Module

Item	Model	Remark
Color type	Real full color	
Module size	320*320mm	
Configuration	1R1G1B	
Pixels Pitch (mm)	10mm	
Work Method	1/4	
Pixel led	DIP346	
Resolution rate	32*32	
Driving IC	MBI5024	
Line management	4953	
Working voltage	DC5V	
power	100W	
Working temperature	-30°C - +50°C	
Weight	1.8kg	

construction:



Tle: +86 755 83419012

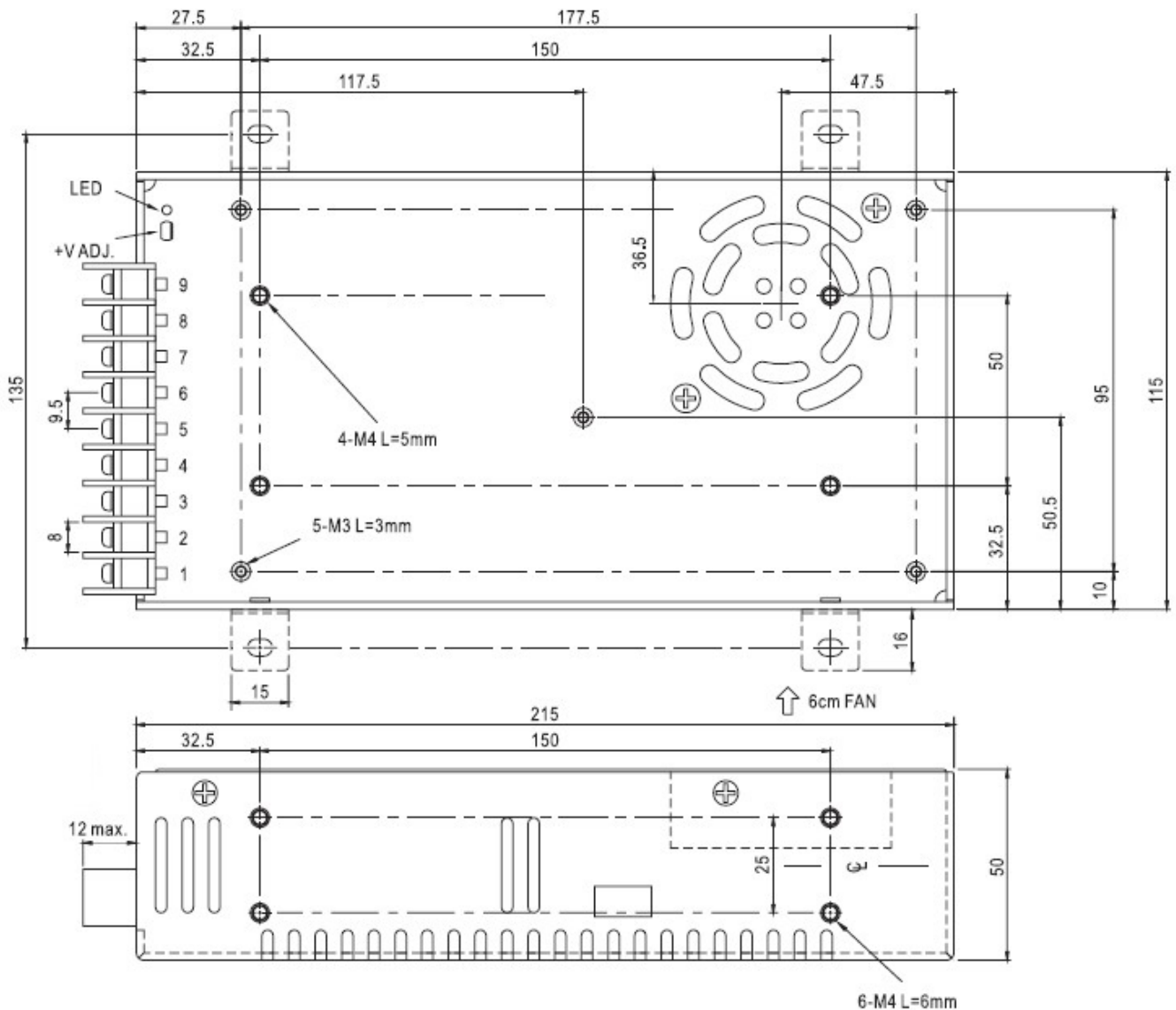
Fax: +86 755 82975893

URL: www.chipshow.com

Power supply

Item	Model	Remark
Input voltage	Alternating voltage 110/220V	
Working frequency	50HZ/60HZ	
Output voltage	DC5V	
Output power	300W	
Cooling method	Auto	Machine shell heat dissipation
Brand model	A-300-5	

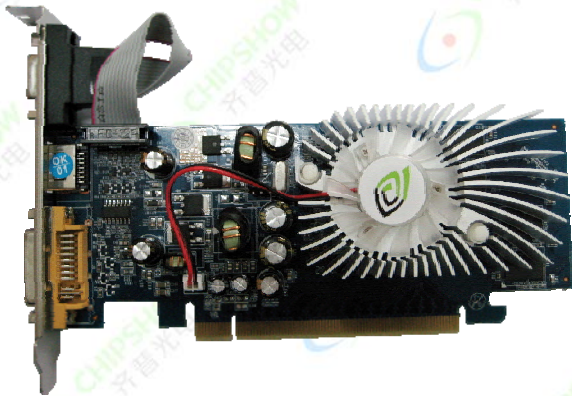
Construction :



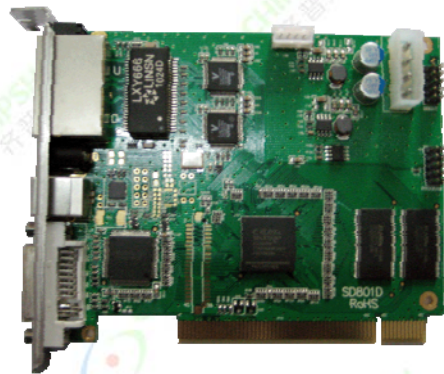
System

Item	Model	Remark
Graphic card	GF9300GS	
Transmitting card	SD801D	
Receiving card	RV801	
Adapter plate	HUB75	
Serial line	Distribution	
DVI wire	Distribution	
Managing CD	LED studio	
Direction	LED control system manual	
Direction	LED SCREEN	Transmitting card

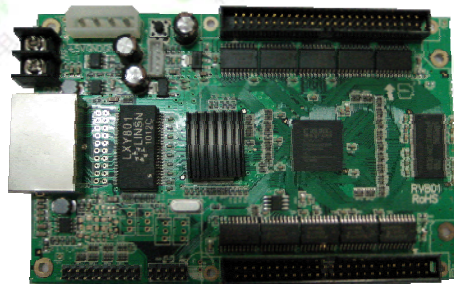
Construction :



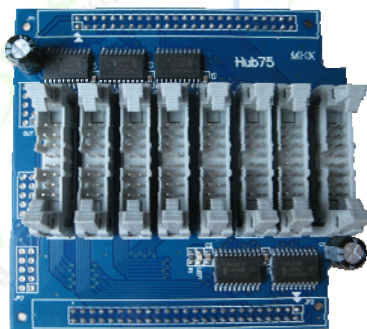
GF9300GS graphic card



SD801D



RV801



HUB75 adapter plate

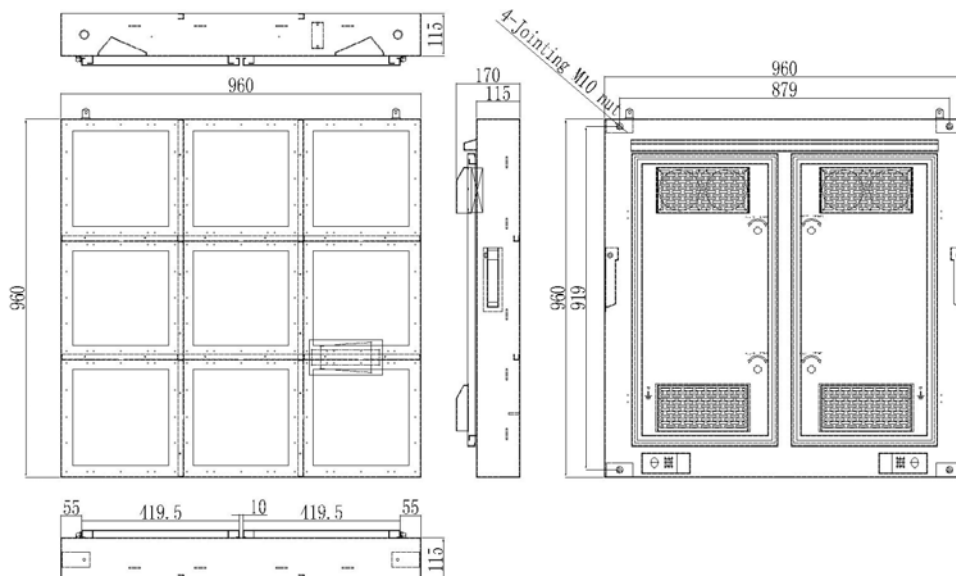


DVI wire & COM wire

Cabinet

Item	Model	Remark
Material	Iron/Steel	
Color	Black	
Size	960*960mm	
Resolution rate	96*96	
Module quantity	3*3	
Density	10000dots/m ²	
White balance luminance	≥5000cd/m ²	
Color temperature	6500	
Horizontal view angel	110	
Vertical view angel	50	
Protection grade	Before/after: IP67/IP43	
Non-Flatness	< 1mm	
Module interval	< 1mm	
Weight	62kg	Withpowersupply
Maximal power/m ²	900W	
Frame frequency	≥60Hz/s	
Refresh frequency	≥300Hz/s	
Gray grade	16777216	
Luminance adjusted	256 grade by hand&8 grade by auto-optic/color	
Input signal	RF,S-video,RGB,RGBHV,YUV,YC&Composition,etc	
Control system	PCTV non-linear editing card + DVI display card + main controller card + optic fiber transmisson(Optional)	
MTBF	>5000h	
Life-span	>100000h	
Speckles rate	<0.0002	

Construction :



Tle: +86 755 83419012

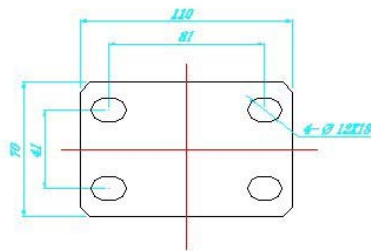
Fax: +86 755 82975893

URL: www.chipshow.com

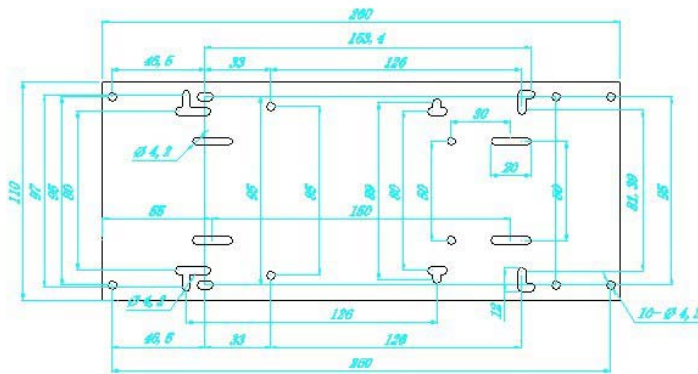
Spare parts

Item	Model	Remark
Fans	120*120*25	
Connector	WEIPUIP67SOCOKET Z (WY20-3)	
Data connector	UBIDE RJ45RB	
Power fixed iron plate	200*110*1.2mm	
Receiver fixed iron plate	135*90*1.2mm	
Connecting Piece	110*70*4mm	

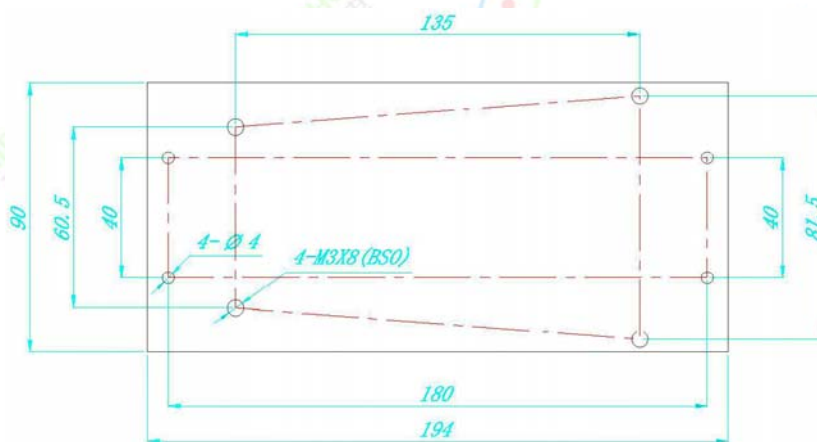
Construction :



Connecting piece (t=4.0mm)



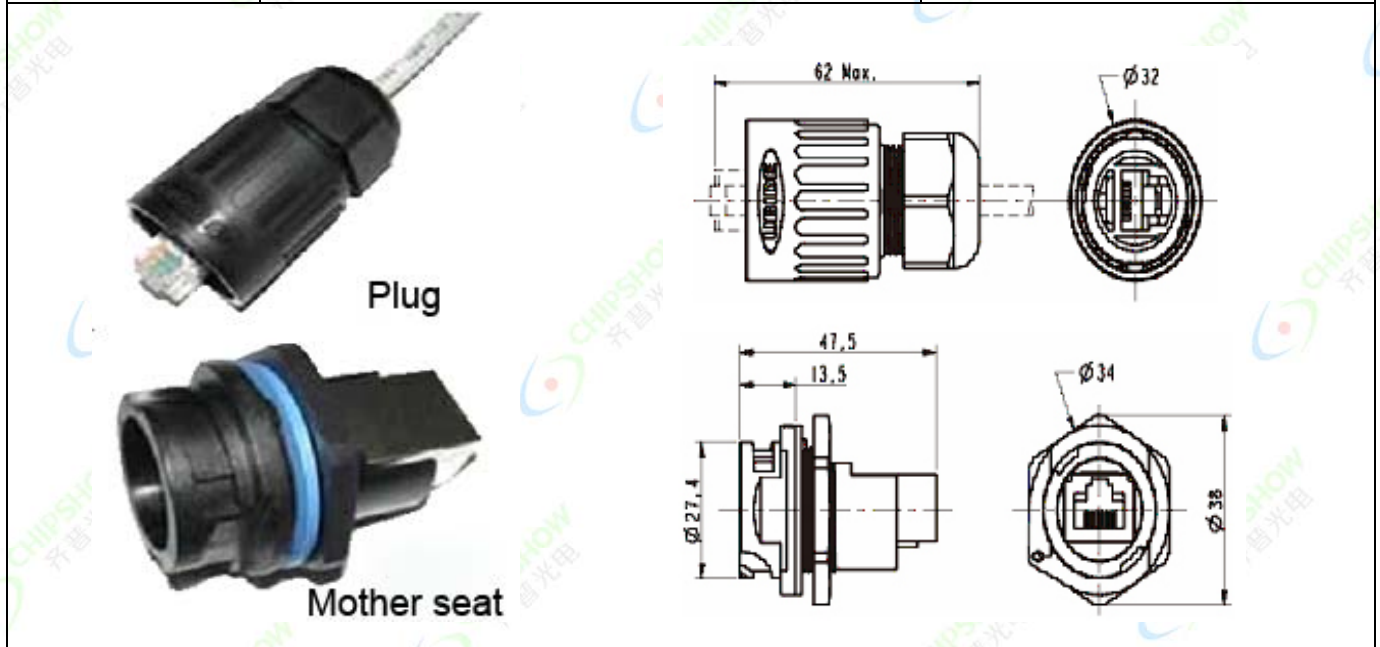
Power supply plate (t=1.2mm)



System plate (t=1.2mm)

Connector

Item	Model	Remark
Data connector	UBIDE RJ45RB	
Connecting method	Reverse Buckle	
Material	Plastic	
Protection grade	IP65	



Item	Model	Remark
Power connector	WEIPU IP67 SOCKETZ WY20-3	
Withstand voltage	400V	
Insulation	2000MΩ	
Protection grade	IP65	

