

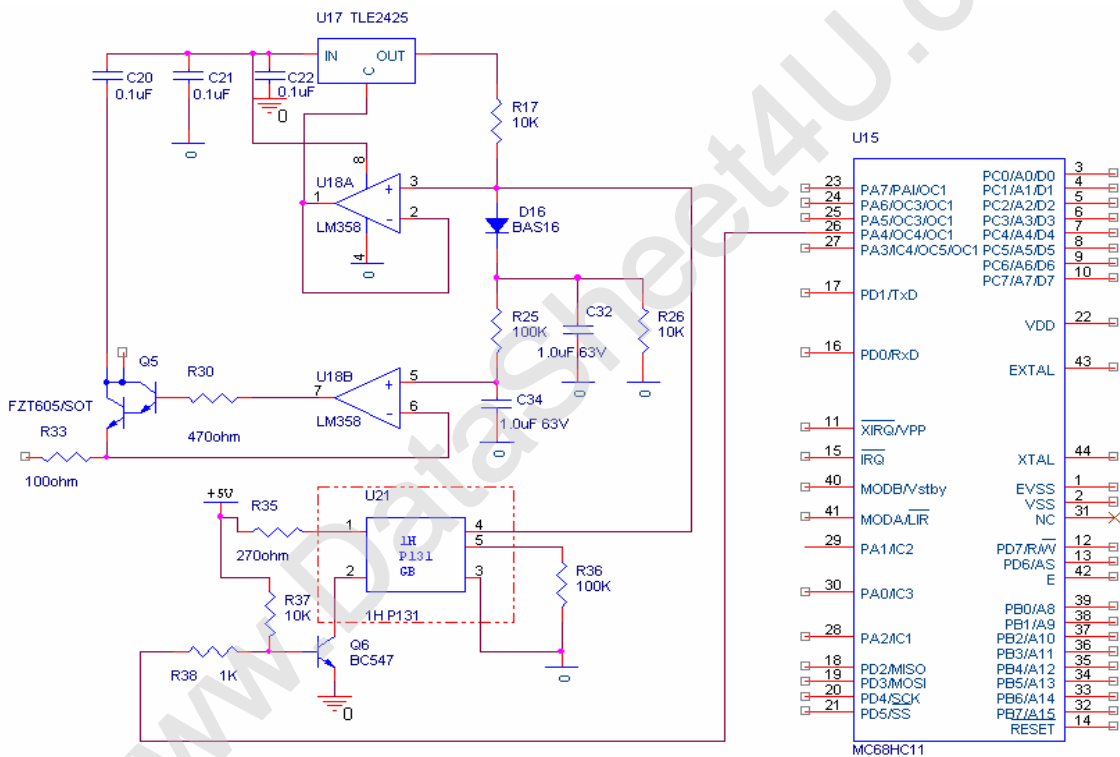
PHYSICAL DIAGRAM

This is the real image produced with all text and marking with pins location exactly with reference to text.



FUNCTIONAL DIAGRAM

THIS IS THE extract from complete CIRCUIT DIAGRAM WHICH SHOWS THE EXACT CONFIGURATION IN WHICH THE COMPONENT IS USED



SUSPECTED DIAGRAM

The following diagram is suspected on basis of voltage drops found respectively on P131 pins as shown below when diode test carried out with FLUKE 189 AVO meter.

