

P19H38N4.0

Scroll Compressor

40 Years of Scroll Technology



Certified to
ISO 9001:2008



Precisely Right.



Technical Overview

	US	Europe
Max. Pressure	75 psig	5.17 barg
Max. Flow	15.2 cfm	430 lpm
Shaft Power	4.25 hp	3.17 kW
Motor Type	AC (BLDC Optional)	
Avg. Sound Level	65 dB(A)	
Max. Amb. Temp.	104°F	40°C
Model Number	P19H38N4.0	
Part Numbers	040820	

Contact info@airsquared.com for custom design information or application specific requirements.

Part Number Information

040820	Standard AC unit.

Product Features

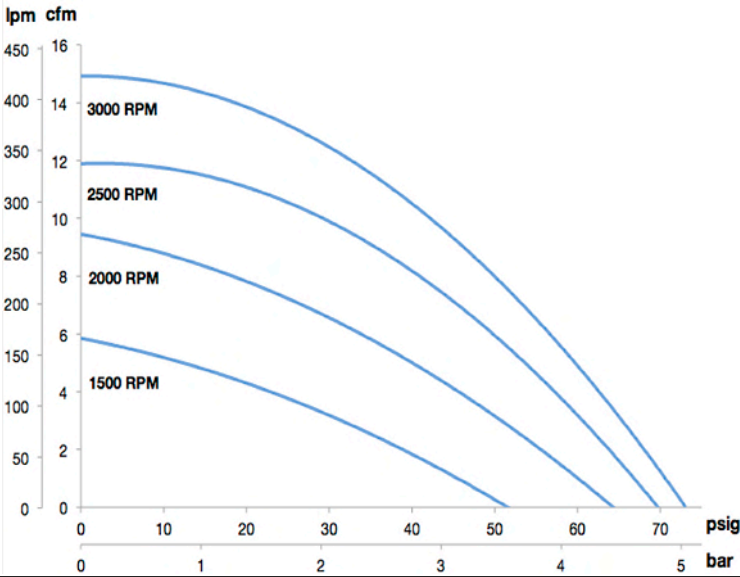
- 100% Oil-Free
- Low Sound Levels
- Balanced, Smooth, Rotary Motion
- High Efficiency
- Long Product Life
- Continuous Duty
- Small Compact Design
- Lightweight
- Minimal Pulsation
- Field Serviceable



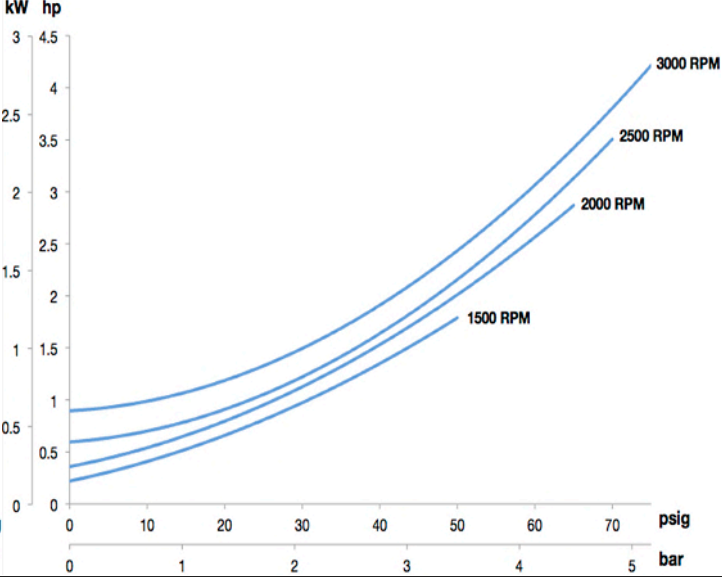
P19H38N4.0

Performance (U.S., Metric)

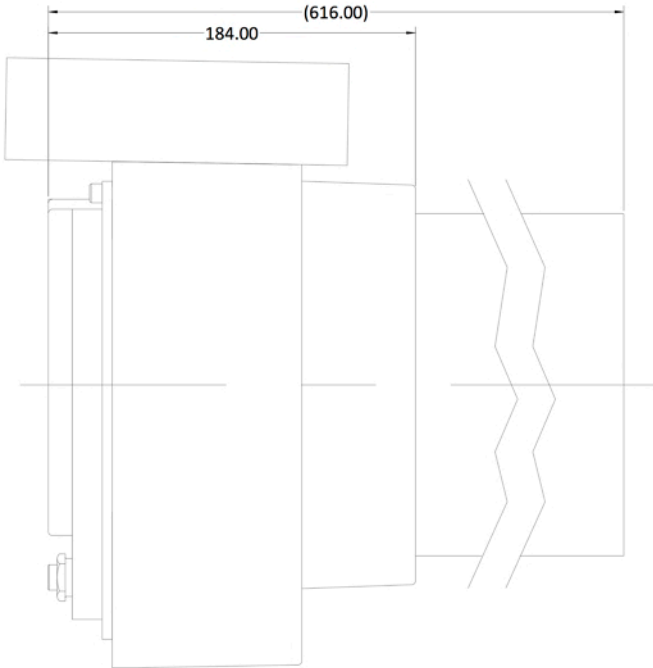
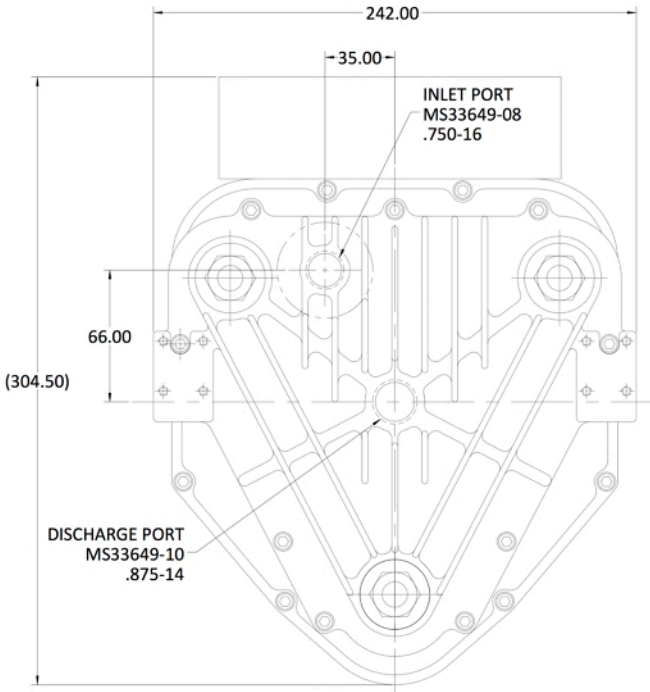
Flow Characteristics



Shaft Power



Dimensions (mm)



Notes

- Air-cooling may be required for certain applications.
- Technical Overview, Dimensions, and Performance Data, represent standard AC unit (040820).



Air Squared
Manufacturing, Inc.

3001 Industrial Lane #3
Broomfield, CO 80020 USA
Phone: (303) 466-2669
www.airsquared.com