

# P3T1755

I3C, I<sup>2</sup>C-bus interface, 0.5 °C accuracy, digital temperature sensor

Rev. 1.2 — 15 July 2024

Product data sheet



## 1 General description

---

The P3T1755 is a temperature-to-digital converter from -40 °C to +125 °C range. It uses an on-chip band gap temperature sensor and A-to-D conversion technique with an overtemperature detection. The device contains a number of configuration and data registers to store the device settings, such as device operation mode, and a temperature register (Temp) to store the digital temp reading that can be communicated by a controller via the 2-wire serial I3C (up to 12.5 MHz) and I<sup>2</sup>C (up to 3.4 MHz) interface.

The I<sup>2</sup>C interface supports up to 32 target addresses and an alert function which becomes active when the temperature exceeds the programmed limits.

The I3C interface supports IBI (In Band Interrupt) where P3T1755 emits its address into the arbitrated address header on the I3C bus to notify the controller of an interrupt. It does not require an additional interrupt pin.

The P3T1755 can be configured for different operation conditions. It can be set in normal mode to periodically monitor the ambient temperature, or in shut-down mode to minimize power consumption. The temperature register always stores a 12-bit two's complement data, giving a temperature resolution of 0.0625 °C.

The Alert output operates in either of two selectable modes: Alert comparator mode or Alert interrupt mode. Its active state can be selected as either HIGH or LOW. The fault queue that defines the number of consecutive faults in order to activate the Alert output is programmable as well as the set-point limits.

## 2 Features and benefits

---

- I3C (up to 12.5 MHz) and I<sup>2</sup>C (up to 3.4 MHz) interface
  - 32 I<sup>2</sup>C target addresses
  - 32 I3C Provisional-ID
- Supply range: 1.4 V to 3.6 V
- Programmable overtemperature alerts
- Resolution: 12 bits (0.0625 °C)
- Accuracy:
  - 1.4 V < V<sub>CC</sub> < 3.6 V
    - ±0.5 °C (maximum) from -20 °C to +85 °C
    - ±1 °C (maximum) from -40 °C to +125 °C
- Low quiescent current: 4.1 µA supply current (typical)
- ESD protection exceeds 2000 V HBM per JS-001-2017 and 1000 V CDM per JS-002-2018
- Package: TSSOP8
- P3T1755DP/Q900 for automotive



### 3 Applications

- IoT
- Portable devices
- SSD
- Industrial controllers
- Servers
- PC/Notebook
- Automotive (P3T1755DP/Q900)

### 4 Ordering information

Table 1. Ordering Information

Type Number	Topside mark	Package		
		Name	Description	Version
P3T1755DP	P1755	TSSOP8	plastic thin shrink small outline package; 8 leads; body width 3 mm	SOT505-1
P3T1755DP/Q900 <sup>[1]</sup>	Q1755	TSSOP8	plastic thin shrink small outline package; 8 leads; body width 3 mm	SOT505-1

[1] P3T1755DP/Q900 is AEC-Q100 compliant. Contact NXP sales for PPAP.

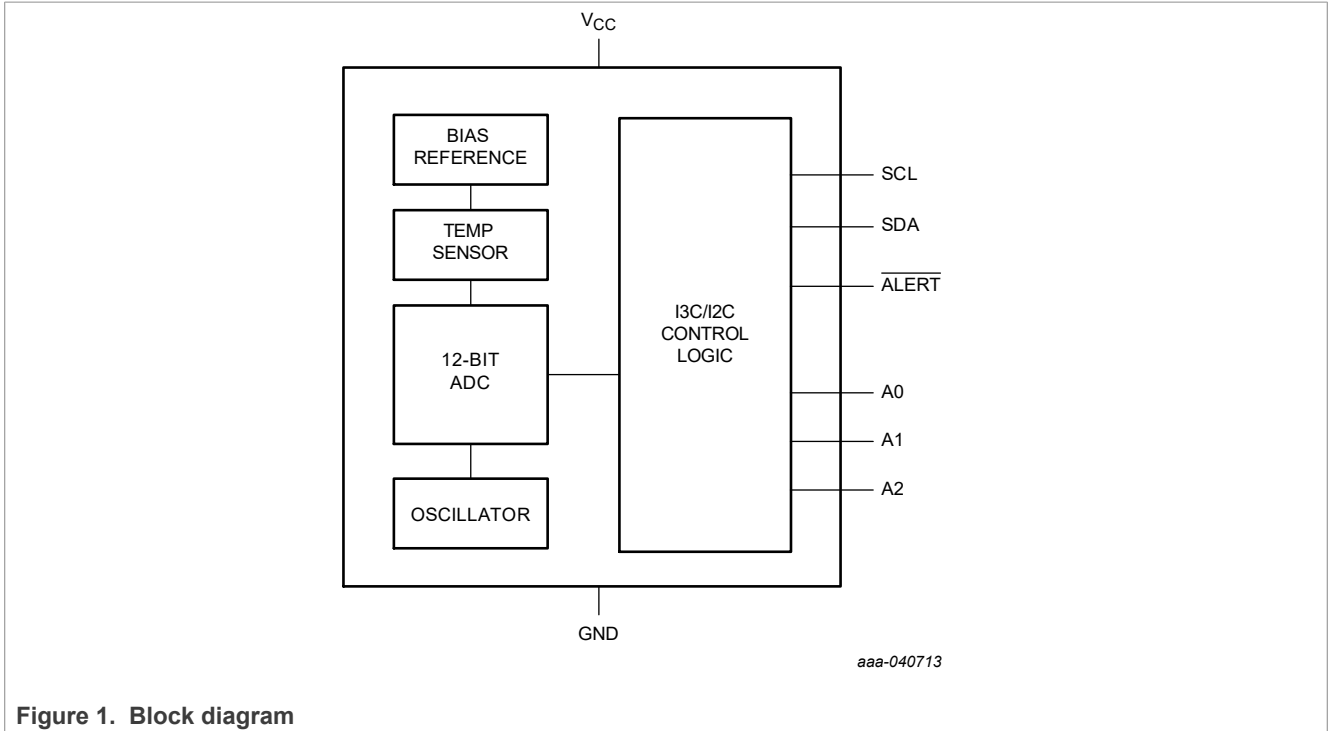
#### 4.1 Ordering options

Table 2. Ordering options

Type Number	Orderable part number	Package	Packing method	Minimum order quantity	Temperature
P3T1755DP	P3T1755DPZ	TSSOP8	Reel 13" Q1/T1 *standard mark SMD SSB <sup>[1]</sup>	2500	T <sub>amb</sub> = -40 °C to +125 °C
P3T1755DP/Q900	P3T1755DP/Q900Z	TSSOP8	Reel 13" Q1/T1 *standard mark SMD SSB <sup>[1]</sup>	2500	T <sub>amb</sub> = -40 °C to +125 °C

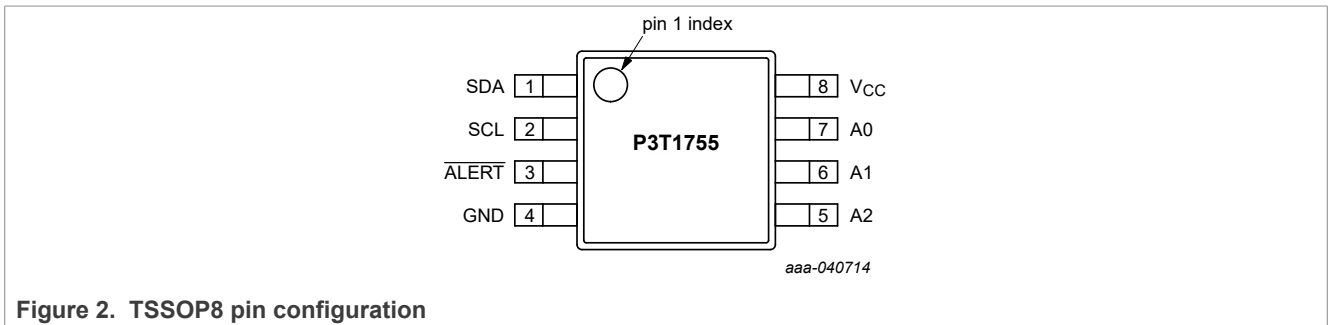
[1] This packing method uses a Static Shielding Bag (SSB) solution. Material should be kept in the sealed bag between uses.

## 5 Block diagram



## 6 Pinning information

### 6.1 Pinning



### 6.2 Pinning description

Table 3. TSSOP 8 pin description

Symbol	Pin	Description
SDA	1	Digital I/O. I3C/I <sup>2</sup> C -bus serial bidirectional data line.
SCL	2	Digital input. I3C/I <sup>2</sup> C -bus serial clock.
ALERT	3	Alert open-drain output.
GND	4	Ground. To be connected to the system ground.
A2	5	Digital input. User-defined address bit 2.

Table 3. TSSOP 8 pin description...continued

Symbol	Pin	Description
A1	6	Digital input. User-defined address bit 1.
A0	7	Digital input. User-defined address bit 0.
V <sub>CC</sub>	8	Power supply.

## 7 Functional description

### 7.1 General operation

The P3T1755 uses the on-chip band gap sensor to measure the device temperature with the resolution of 0.0625 °C and stores the 12-bit two's complement digital data, resulted from 12-bit A-to-D conversion, into the device Temp register. This Temp register can be read at any time by a controller on the I3C/I<sup>2</sup>C -bus. Reading temperature data does not affect the conversion in progress during the read operation. The temperature range is from -40 °C to 125 °C.

The P3T1755 can be set to operate in three modes: one-shot, continuous conversion or shutdown mode through OS, TM and SD bits in the configuration register, allowing the user flexibility for different mode operations.

### 7.2 I<sup>2</sup>C-bus serial interface

The device can be connected to a compatible 2-wire serial interface Fast-mode Plus I<sup>2</sup>C-bus as a target device under the control of a controller or controller device, using two device terminals: SCL and SDA. The controller must provide the SCL clock signal and write/read data to/from the device through the SDA terminal. Note that if the I<sup>2</sup>C-bus common pull-up resistors have not been installed as required for I<sup>2</sup>C-bus, then an external pull-up resistor, about 5 kΩ, is needed for each of these two terminals. The bus communication protocols are described in [Section 7.6](#).

### 7.3 Target and mode description

#### 7.3.1 Target address

To communicate with the device, the controller must first address target devices via a target address byte. The target address byte consists of seven address bits, and a direction bit indicating the intent of executing a read or write operation. The device features three address pins to allow up to 32 devices to be addressed on a single bus interface (see [Table 4](#)).

P3T1755 requires 20 ms (max) after  $V_{CC} \geq V_{POR}$  (1.2 V(max)) to recognize I<sup>2</sup>C/I3C command. After that, pin A0/A1/A2 states are sampled with the first legit START condition. Once it is finished, the address is latched to minimize power dissipation associated with detection.

Table 4. P3T1755 I<sup>2</sup>C target address table

No.	Address pin coding			Target address
	A2	A1	A0	
1	0	0	SDA	1000 000
2	0	0	SCL	1000 001
3	0	1	SDA	1000 010
4	0	1	SCL	1000 011
5	1	0	SDA	1000 100
6	1	0	SCL	1000 101
7	1	1	SDA	1000 110
8	1	1	SCL	1000 111
9	0	0	0	1001 000
10	0	0	1	1001 001

Table 4. P3T1755 I<sup>2</sup>C target address table...continued

No.	Address pin coding			Target address
	A2	A1	A0	
11	0	1	0	1001 010
12	0	1	1	1001 011
13	1	0	0	1001 100
14	1	0	1	1001 101
15	1	1	0	1001 110
16	1	1	1	1001 111
17	0	SDA	SDA	1010 000
18	0	SDA	SCL	1010 001
19	0	SCL	SDA	1010 010
20	0	SCL	SCL	1010 011
21	1	SDA	SDA	1010 100
22	1	SDA	SCL	1010 101
23	1	SCL	SDA	1010 110
24	1	SCL	SCL	1010 111
25	0	SDA	0	1011 000
26	0	SDA	1	1011 001
27	0	SCL	0	1011 010
28	0	SCL	1	1011 011
29	1	SDA	0	1011 100
30	1	SDA	1	1011 101
31	1	SCL	0	1011 110
32	1	SCL	1	1011 111

### 7.3.2 Alert function : I<sup>2</sup>C only

The alert function is for the I<sup>2</sup>C-bus interface only. In interrupt mode (TM = 1), the ALERT pin can be connected as an SMBus alert signal. When a controller detects an alert condition on the ALERT line, the controller sends an SMBus alert command (00011001) to the bus.

The device acknowledges the SMBus alert command and responds by sending its target address if the ALERT pin is active. The 8th bit (LSB) of the target address byte indicates whether the alert condition is caused by the temperature above T<sub>HIGH</sub> or below T<sub>LOW</sub>. The LSB bit is 1 if the temperature is higher than T<sub>HIGH</sub>. The LSB bit is 0 if the temperature is lower than T<sub>LOW</sub>.

If multiple devices respond to the alert command, arbitration during the target address portion of the alert command determines which device wins arbitration to clear alert status first. The ALERT pin stays active if arbitration is lost.

### 7.3.3 General call

The general call address is (0000000) if the eighth bit is 0. The device acknowledges the general call and responds to commands in the second byte. The device latches the status of the address pin if the second byte is 00000100. If the second byte is 00000110, the device internal registers are reset to power-up values.

### 7.3.4 High-speed (Hs) mode

The controller device must send an I<sup>2</sup>C Hs-mode controller code (00001xxx) as the first byte after a start condition to enable the bus to high-speed operation. After the Hs-mode code is received, P3T1755 allows I<sup>2</sup>C speed up to 3.4 MHz.

### 7.3.5 Timeout function

If the SDA or SCL line is held LOW for longer than  $t_{lo}$  (15 ms minimum; guaranteed at 45 ms maximum), the device resets to the idle state (SDA released) and waits for a new START condition. This ensures that the device never hangs up the bus if there are conflicts in the transmission sequence.

## 7.4 I3C-bus serial interface

P3T1755 interface includes a MIPI I3C SDR only target interface. The I3C controller can assign a dynamic address to P3T1755 by issuing a SETDASA (Set Dynamic Address from Static Address) CCC command.

7.4.1 Dynamic address assigning flow

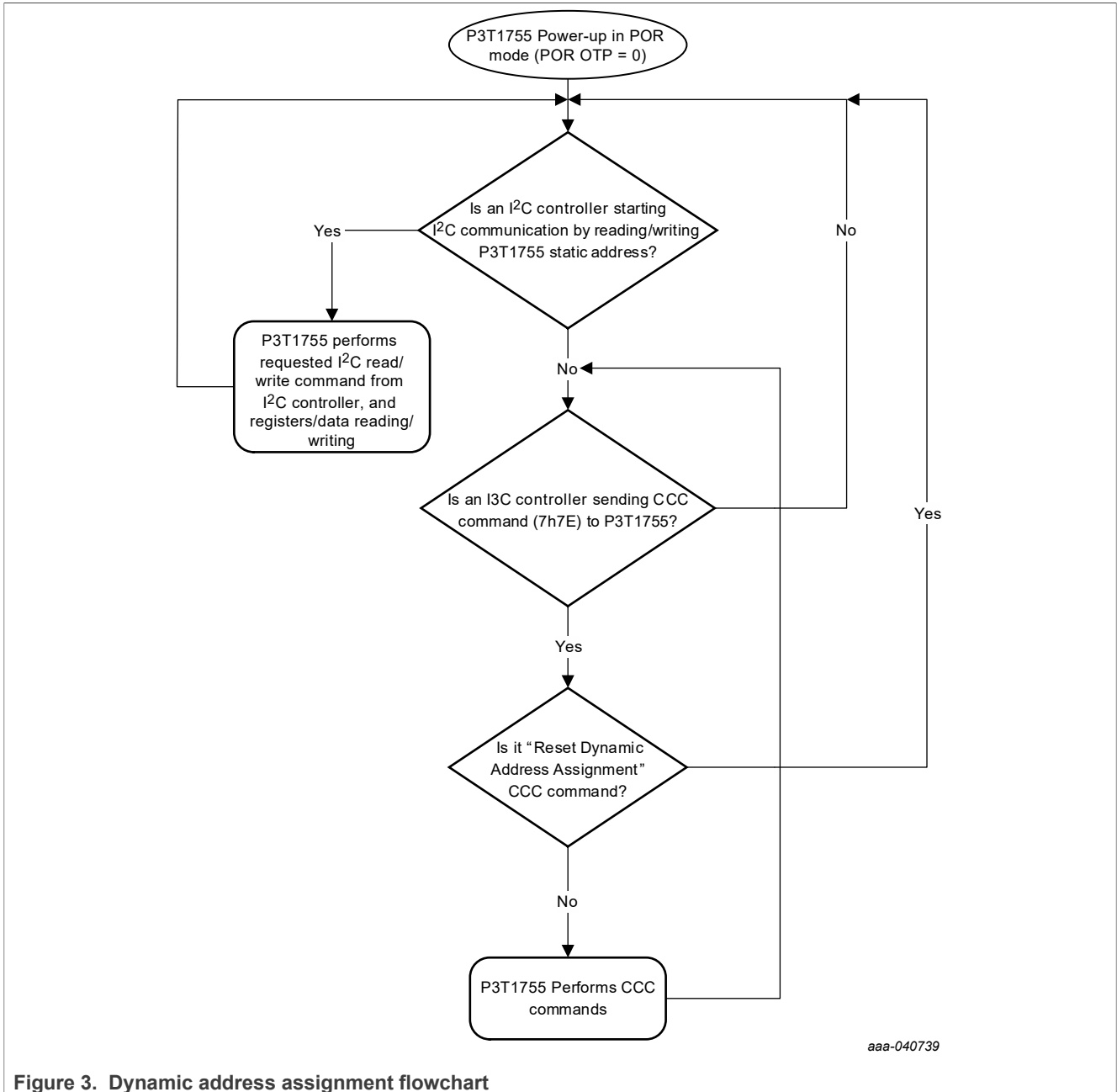


Figure 3. Dynamic address assignment flowchart

7.4.2 I3C provisional-ID

The I3C provisional-ID field is a 6-byte read-only (48 bits) word giving the following information:

- 15 bits with the manufacturer name, unique per manufacturer (for example, NXP).
- 1 bit indicating whether the device has a random ID or a structured provisional-ID
- 16 bits with the device identification, assigned by manufacturer.
- 4 bits providing the device instantiation information, e.g. the address pin binary input.
- 12 bits with the device revision, assigned by manufacturer.



The exact Mipi-I3C provisional-ID composition is shown in [Table 5](#) and [Table 6](#) with detailed data content.

**Table 5. I3C Provisional-ID composition**

Manufacturer ID	Non-Random part number	Device ID	Instance ID	Version
BITS[47:33]	BITS[32]	BITS[31:16]	BITS[15:12]	BITS[11:0]
15'h011B 0000 0010 0011 011	0	0001 0101 0010 1010	0000	Refer to <a href="#">Table 6</a>

**Table 6. I3C Provisional-ID BITS[11:0] vs I<sup>2</sup>C Address**

No	I <sup>2</sup> C target address BITS[7:1]	I3C PID BITS[11:0]
1	1000 000	0000 1000 0000
2	1000 001	0000 1000 0010
3	1000 010	0000 1000 0100
4	1000 011	0000 1000 0110
5	1000 100	0000 1000 1000
6	1000 101	0000 1000 1010
7	1000 110	0000 1000 1100
8	1000 111	0000 1000 1110
9	1001 000	0000 1001 0000
10	1001 001	0000 1001 0010
11	1001 010	0000 1001 0100
12	1001 011	0000 1001 0110
13	1001 100	0000 1001 1000
14	1001 101	0000 1001 1010
15	1001 110	0000 1001 1100
16	1001 111	0000 1001 1110
17	1010 000	0000 1010 0000
18	1010 001	0000 1010 0010
19	1010 010	0000 1010 0100
20	1010 011	0000 1010 0110
21	1010 100	0000 1010 1000
22	1010 101	0000 1010 1010
23	1010 110	0000 1010 1100
24	1010 111	0000 1010 1110
25	1011 000	0000 1011 0000
26	1011 001	0000 1011 0010
27	1011 010	0000 1011 0100
28	1011 011	0000 1011 0110

**Table 6. I3C Provisional-ID BITS[11:0] vs I<sup>2</sup>C Address...continued**

No	I <sup>2</sup> C target address BITS[7:1]	I3C PID BITS[11:0]
29	1011 100	0000 1011 1000
30	1011 101	0000 1011 1010
31	1011 110 <sup>[1]</sup>	0000 1011 1100
32	1011 111	0000 1011 1110

[1] The I<sup>2</sup>C address: 1011 110 (7'h 5E) doesn't support I3C SETDASA (Set Dynamic Address from Static Address) due to 7'h 5E is one of I3C target restricted addresses.

### 7.4.3 BCR and DCR

The I3C devices have a read-only Bus Characterization Register (BCR) and a Device Characterization Register (DCR). These can be read using the GETCBKR and GETDCR CCC.

The BCR contains information describing the device's role and capabilities related to the I3C bus. The content of the P3T1755 is listed in [Table 7](#).

**Table 7. Bus Characterization Register (BCR)**

Bit	Function	Description
BCR[7]	Device role	2'b00: I3C target
BCR[6]		
BCR[5]	Advanced Capabilities	0: Does not support optional advanced capabilities
BCR[4]	Virtual Target Support	0: Is not a Virtual Target and does not expose other downstream Device(s)
BCR[3]	Offline capable	0: Device always reacts to I3C bus commands
BCR[2]	IBI Payload	0: No data bytes follow the accepted IBI
BCR[1]	IBI Request capable	1: Capable
BCR[0]	Maximum data speed limitation	1: Limitation

The DCR describes the device type for the bus controller to assess and assign the dynamic address and use common command codes as listed in [Table 8](#).

**Table 8. Device Characterization Register (DCR)**

Bit [7:0]	Description
0110 0011	Temperature sensor

### 7.4.4 I3C Common Command Codes (CCC)

MIPI I3C devices listen to and support a number of the Common Command Codes (CCC) to control certain features and behaviors e.g. reset the device, enable/disable in-band interrupts or renew the device dynamic address.

P3T1755 supports CCCs that allow the controller to control multiple targets through a broadcast command at once or individual targets through direct commands listed in [Table 9](#)

Table 9. Bus Characterization Register (BCR)

Common Command Code	CCC type	Command Name	Default setting	Description
0x00	Broadcast	ENEC[1] Enable Events Command	Enabled	Enable Target event driven interrupts
0x06	Broadcast	RSTDAA[1] Reset Dynamic Address Assignment	-	Forget current Dynamic Address and wait for new assignment
0x07	Broadcast	ENTDAA[1] Enter Dynamic Address Assignment	-	Entering Controller initiation of Target Dynamic Address Assignment. Don't participate if the Target already has an Address assigned.
0x80	Direct	ENEC[1] Enable Events Command	enabled	Enable Target event driven interrupts
0x81	Direct	DISEC[1] Disable Events Command	disabled	Disable Target event driven interrupts
0x87	Direct Set	SETDASA[1] Set Dynamic Address from Static Address	-	Controller assigns a Dynamic Address to a target with a known Static Address
0x88	Direct Set	SETNEWDA[1] Set New Dynamic Address	-	Controller assigns a new Dynamic Address to any I3C Target
0x8D	Direct Get	GETPID[1] Get Provisional ID	-	get the Target's Provisional-ID
0x8E	Direct Get	GETBCR Get Bus Characteristics Register	-	Get a Device's Bus Characteristic Register (BCR)
0x8F	Direct Get	GETDCR Get Device Characteristics Register	-	Get a Device's Device Characteristic Register (DCR)
0x90	Direct Get	GETSTATUS Get Device Status	-	Get Device's operating status
0x9A	Direct	RSTACT Target Reset Action	-	Configure and query Target Reset action and timing

7.4.5 Examples of CCC protocol

7.4.5.1 ENEC/DISEC (Enable/Disable Target Events Command)

The ENEC/DISEC CCC allows the Controller to control when Target-initiated traffic is enabled or disabled on the I3C Bus. This control governs a Target's attempts to request an IBI (ENINT/DISINT), to request Controllershship (ENMR/DISMR).

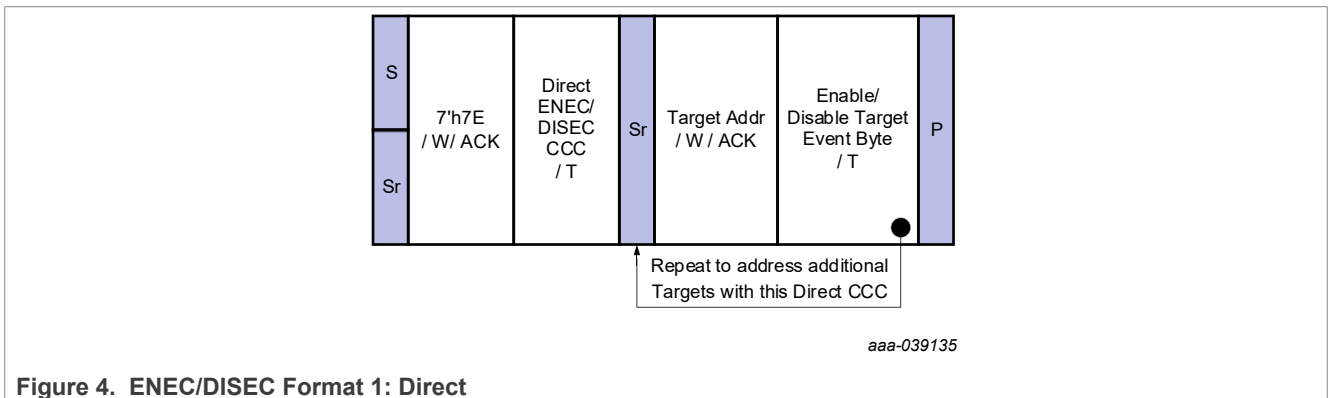


Figure 4. ENEC/DISEC Format 1: Direct

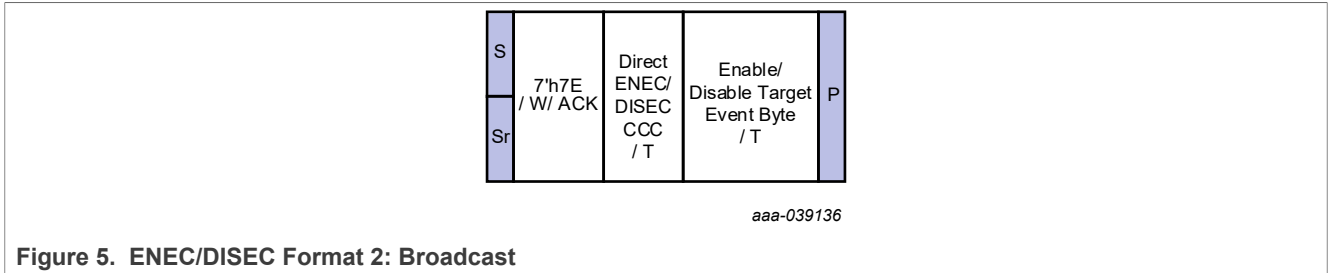


Figure 5. ENEC/DISEC Format 2: Broadcast

Table 10. Enable Target Events Command Byte Format

Bit	7	6	5	4	3	2	1	0
Symbol	reserved				ENHJ	reserved	ENMR	ENINT

Table 11. Disable Target Events Command Byte Format

Bit	7	6	5	4	3	2	1	0
Symbol	reserved				DISHJ	reserved	DISMR	DISINT

### 7.4.5.2 RSTDAA (Reset Dynamic Address Assignment)

The RSTDAA Broadcast CCC (Figure 6) indicates to all I3C Devices that the Controller requires them to clear/reset their Controller-assigned Dynamic Address.

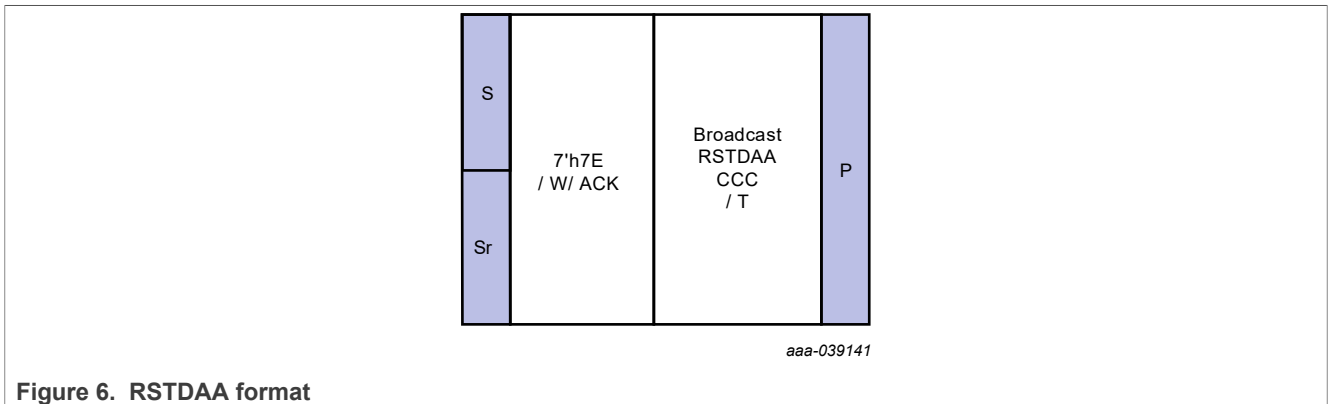


Figure 6. RSTDAA format

### 7.4.5.3 ENTDAE (Enter Dynamic Address Assignment)

The ENTDAE Broadcast CCC (Figure 7) indicates to all I3C Devices that the Controller requires them to enter the Dynamic Address Assignment procedure. Target Devices that already have a Dynamic Address assigned do not respond to this command.

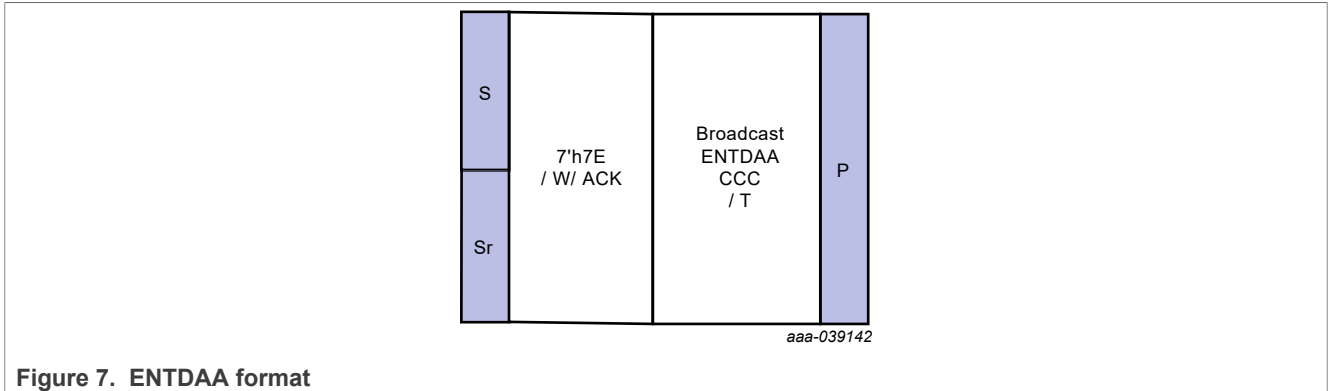


Figure 7. ENTDAAs format

7.4.5.4 SETDASA (Set Dynamic Address from Static Address)

The SETDASA Direct CCC (Figure 8) allows the Controller to assign a Dynamic Address to one Target using the Target’s Static Address. The SETDASA CCC should be used before the ENTDAAs CCC is used.

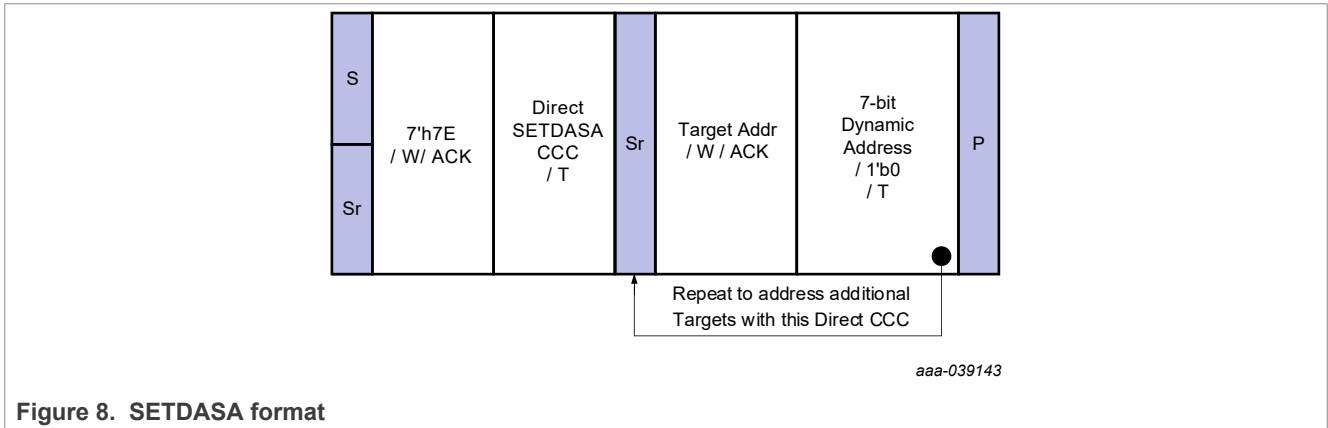


Figure 8. SETDASA format

7.4.5.5 SETNEWDA (Set New Dynamic Address)

The SETNEWDA Direct CCC (Figure 9) allows the I3C Controller to assign a new Dynamic Address to one I3C Target Device. In the Dynamic Address field, the 7 most significant bits (Bits[7:1]) contain the 7-bit Dynamic Address, and the least significant bit (Bit[0]) is filled with the value 1'b0.

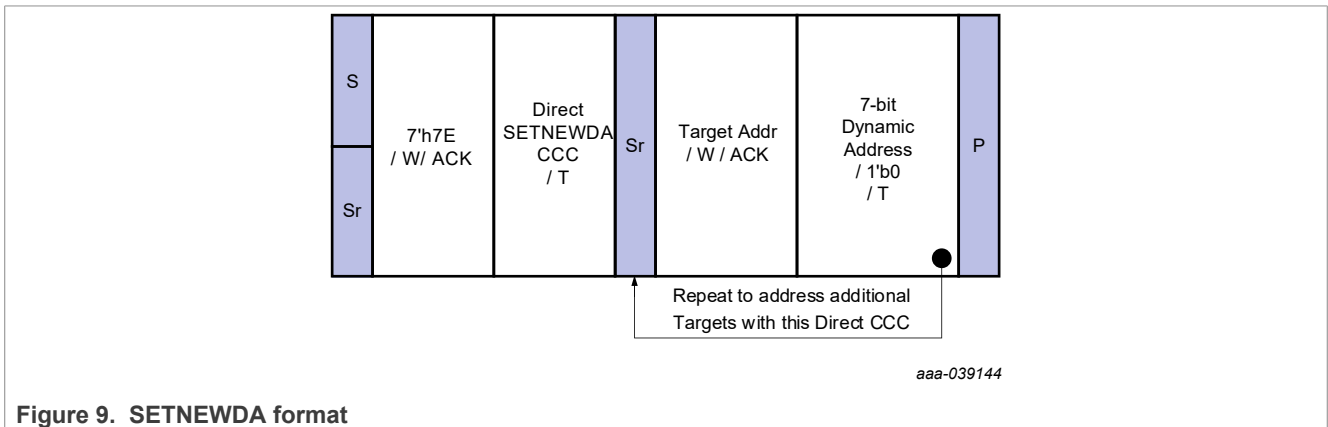


Figure 9. SETNEWDA format

7.4.5.6 GETPID (Get Provisioned ID)

The GETPID Direct CCC (Figure 10) is a Get request for one I3C Target Device to return its 48-bit Provisioned ID to the Controller. Following transmission of the GETPID CCC, the 48-bit value is transmitted as 6 bytes, with MSB first.

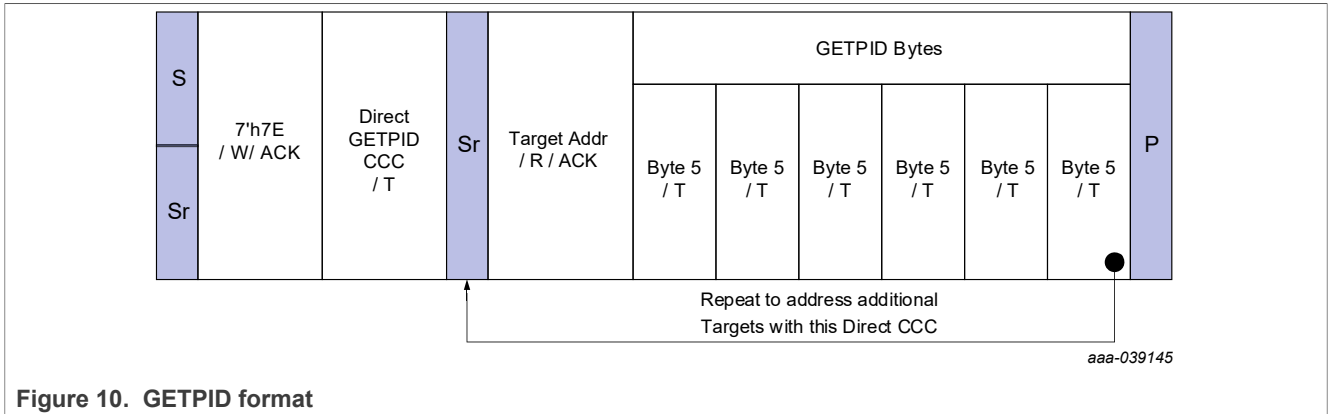


Figure 10. GETPID format

7.4.5.7 GETBCR (Get Bus Characteristics Register)

The GETBCR Direct CCC (Figure 11) is a Get request for one I3C Target Device to return its Bus Characteristics Register (BCR) to the Controller, the BCR value is transmitted in one byte, with the MSB transmitted first.

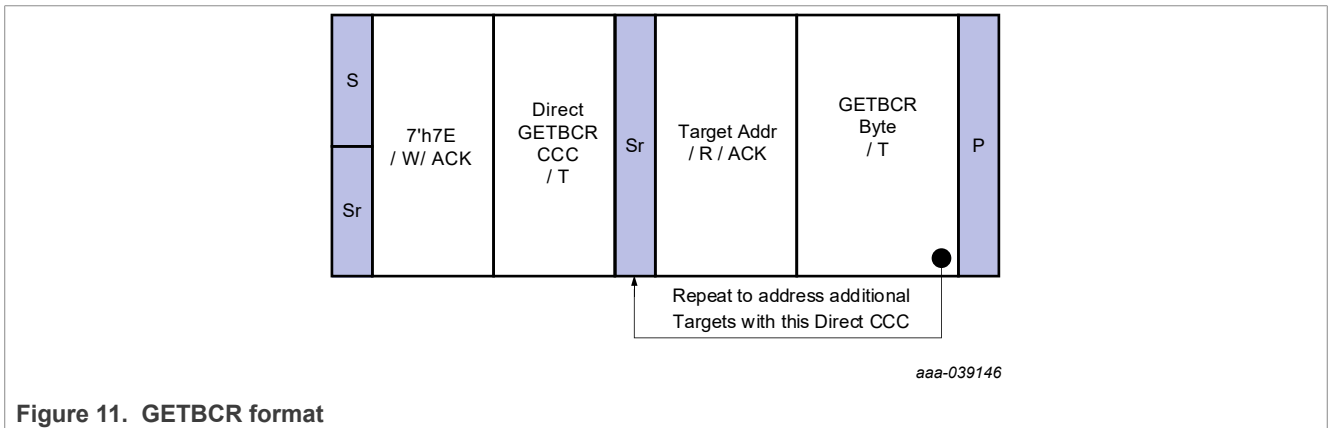
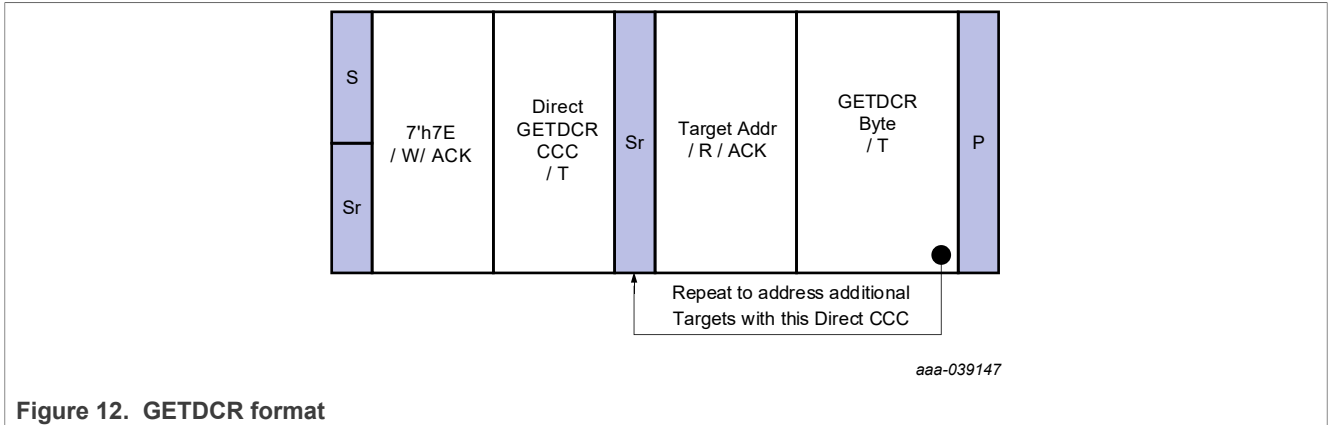


Figure 11. GETBCR format

7.4.5.8 GETDCR (Get Device Characteristics Register)

The GETDCR Direct CCC (Figure 12) is a Get request for one I3C Target Device to return its Device Characteristics Register (DCR) to the Controller. The DCR value is transmitted in one byte, with the MSB transmitted first.



7.4.5.9 GETSTATUS (Get Device Status)

The GETSTATUS Direct CCC (Figure 13) is a Get request for one I3C Target Device to return its current Status. It returns the two-byte format detailed in Table 12.

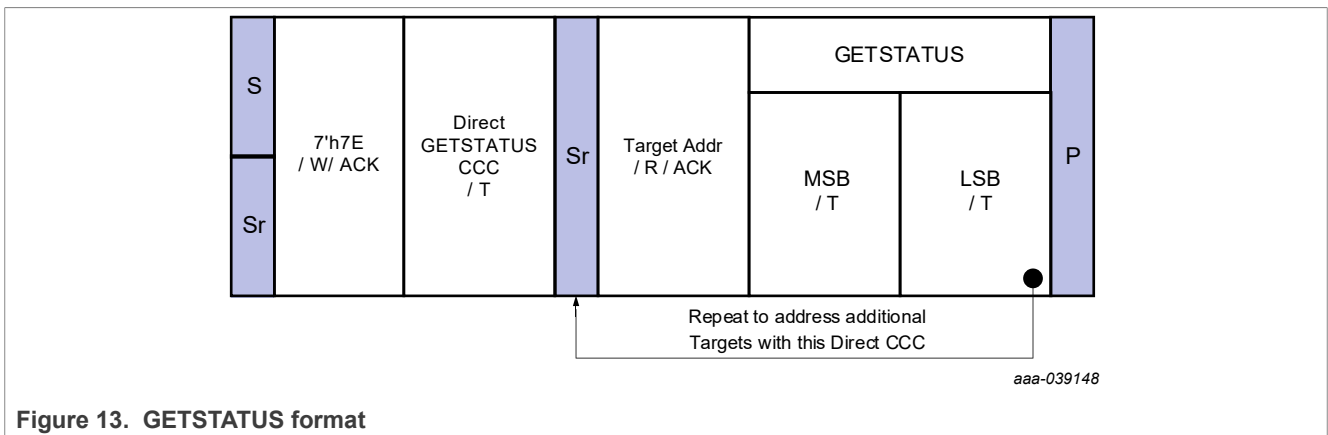


Table 12. GETSTATUS MSB-LSB Format

Vendor Reserved	Activity Mode	Protocol Error	Reserved	Pending Interrupt
BITS[15:8]	BITS[7:6]	BITS[5]	BITS[4]	BITS[3:0]
0	0	0	0	0

7.4.5.10 In-Band-Interrupt (IBI)

MIPI I3C supports interrupts from target devices to controllers through the SCL/SDA 2-wire interface. The targets wait for a quiet period in which both SCL and SDA are idle and SDA is held high by a weak pull-up resistor.

At least one target can pull SDA low, so the controller is notified and starts SCL and enables the regular SDA pull-up resistor to enter address arbitration. The falling edge of SDA followed by a falling edge of SCL is then interpreted by all targets as a start condition.

The target(s) pulling SDA low through an open-drain driver release SDA on the falling SCL edge so it's pulled up to high through the pull-up resistor.

During the following 7 SCL pulses all eligible targets can transmit their dynamic address to the controller. The lowest dynamic address is recognized as the one with the highest priority. Once a target determines that

another target is driving a lower address through its open drain output on SDA, it refrains from interfering with any further communication on SDA while the current communication continues.

The 7 address bits are followed by RnW = 1 and an ACK driven by the controller (if the controller acknowledges).

### 7.5 Register list

The P3T1755 contains four data registers beside the pointer register as listed in [Table 13](#), as well as the pointer value, read/write capability and default content at power-up of the registers.

**Table 13. Register table**

Register name	Pointer value	R/W	POR state	Description
Temp	00h	read only	0000h	Temperature register: contains two 8-bit data bytes; to store the measured Temp data.
Conf	01h	R/W	28h	Configuration register: contains a single 8-bit data byte; to set the device operating condition.
T <sub>LOW</sub>	02h	R/W	4B00h	T <sub>LOW</sub> register: Hysteresis register, it contains two 8-bit data bytes to store the hysteresis T <sub>LOW</sub> limit; default = 75 °C.
T <sub>HIGH</sub>	03h	R/W	5000h	T <sub>HIGH</sub> register: Overtemperature shutdown threshold register, it contains two 8-bit data bytes to store the overtemperature shutdown T <sub>HIGH</sub> limit; default = 80 °C

#### 7.5.1 Pointer register

The Pointer register contains an 8-bit data byte, of which the two LSB bits represent the pointer bits of the other four registers, and the other 6 MSB bits are equal to 0, as shown in [Table 14](#) and [Table 15](#). The Pointer register is not accessible to the user, but is used to select the data register for write/read operation by including the pointer data byte in the bus command.

**Table 14. Pointer register**

B7	B6	B5	B4	B3	B2	B[1:0]
0	0	0	0	0	0	Pointer Bits

**Table 15. Pointer addresses**

B1	B0	Selected register
0	0	Temperature register (Temp, read only)
0	1	Configuration register (read/write)
1	0	T <sub>LOW</sub> register (read/write)
1	1	T <sub>HIGH</sub> register (read/write)

Because the Pointer value is latched into the Pointer register when the bus command (which includes the pointer byte) is executed, a read from the P3T1755 may or may not include the pointer byte in the statement. To read a register again that has been recently read and the pointer has been preset, the pointer byte does not have to be included. To read a register that is different from the one that has been recently read, the pointer byte must be included. However, a write to the device must always include the pointer byte in the statement. The bus communication protocols are described in [Section 7.6](#).



At power-up, the Pointer value is equal to 000b and the Temp register is selected; users can then read the Temp data without specifying the pointer byte.

Anything not shown in [Table 15](#) is reserved and should not be used.

### 7.5.2 Temperature register

The Temperature register (Temp) holds the digital result of temperature measurement or monitor at the end of each analog-to-digital conversion. This register is read-only and contains two 8-bit data bytes consisting of one Most Significant Byte (MSByte) and one Least Significant Byte (LSByte). However, only 12 bits of those two bytes are used to store the Temp data in two's complement format with the resolution of 0.0625 °C. [Table 16](#) and [Table 17](#) show the bit arrangement of the Temp data in the data bytes.

After power-up or reset value, the Temperature register default value is reads 0 °C. The value is updated after completing the first conversion.

Table 16. Temperature register - Byte 1

D7	D6	D5	D4	D3	D2	D1	D0
T11	T10	T9	T8	T7	T6	T5	T4

Table 17. Temperature register - Byte 2

D7	D6	D5	D4	D3	D2	D1	D0
T3	T2	T1	T0	0	0	0	0

When reading register Temp, all 16 bits of the two data bytes (MSByte and LSByte) are provided to the bus and all should be collected by the controller for a valid temperature reading. However, only the 12 most significant bits should be used, and the four least significant bits of the LSByte are zero and should be ignored. One of the ways to calculate the Temp value in °C from the 12-bit Temp data is:

1. If the Temp data MSByte bit T11 = 0, then the temperature is positive and Temp value (°C) = +(Temp data) x 0.0625 °C.  
Example: 0100 1011 0000 = 4B0h = 1200. ≥ Temp = 1200 x 0.0625 °C. = +75 °C
2. If the Temp data MSByte bit T11 = 1, then the temperature is negative  
Temp value (°C) = -(two's complement of Temp data and adding one) x 0.0625 °C.  
Example: 1110 0111 000:  
two's complement and adding one: 0001 1000 1111+1 = 0001 1001 0000=190h=400  
Temp = - 400 x 0.0625 °C = -25 °C

Examples of the Temp data and value are shown in [Table 18](#).

Table 18. Temp register value

Temperature (°C)	ADC value	
	Binary	Hex
127.9375	0111 1111 1111	7FF
127	0111 1111 0000	7F0
100	0110 0100 0000	640
80	0101 0000 0000	500
75	0100 1011 0000	4B0
50	0011 0010 0000	320

Table 18. Temp register value...continued

Temperature (°C)	ADC value	
	Binary	Hex
25	0001 1001 0000	190
0.25	0000 0000 0100	004
0	0000 0000 0000	000
-0.25	1111 1111 1100	FFC
-25	1110 0111 0000	E70
-40	1101 1000 0000	D80

### 7.5.3 Configuration register

The Configuration register (Conf) is a write/read register and contains an 8-bit non-complement data byte that is used to configure the device for different operating conditions. [Table 19](#) shows the bit assignments of this register.

Table 19. Configuration register

BYTE	D7	D6	D5	D4	D3	D2	D1	D0
1	OS	R1	R0	F1	F0	POL	TM	SD

### 7.5.4 Shutdown Mode (SD)

The shutdown mode can reduce power dissipation by shutting down all circuitry other than the I<sup>2</sup>C/I3C interface; current consumption is around 0.2 µA typically. Shutdown mode is set by SD bit = 1; the device shuts down when the current conversion is completed. When SD = 0, the temperature sensor is in a continuous conversion state.

### 7.5.5 Thermostat Mode (TM)

The P3T1755 thermostat mode (TM) bit shows the device is in interrupt mode (TM = 1) or comparator mode (TM = 0, default). See [Section 7.5.10](#).

### 7.5.6 Polarity (POL)

The polarity bit can adjust the polarity of the ALERT pin output. When the POL bit is set to 0 (default value), the ALERT pin becomes active low. When the POL bit is 1, the ALERT pin becomes active high and the state of the ALERT pin is reversed.

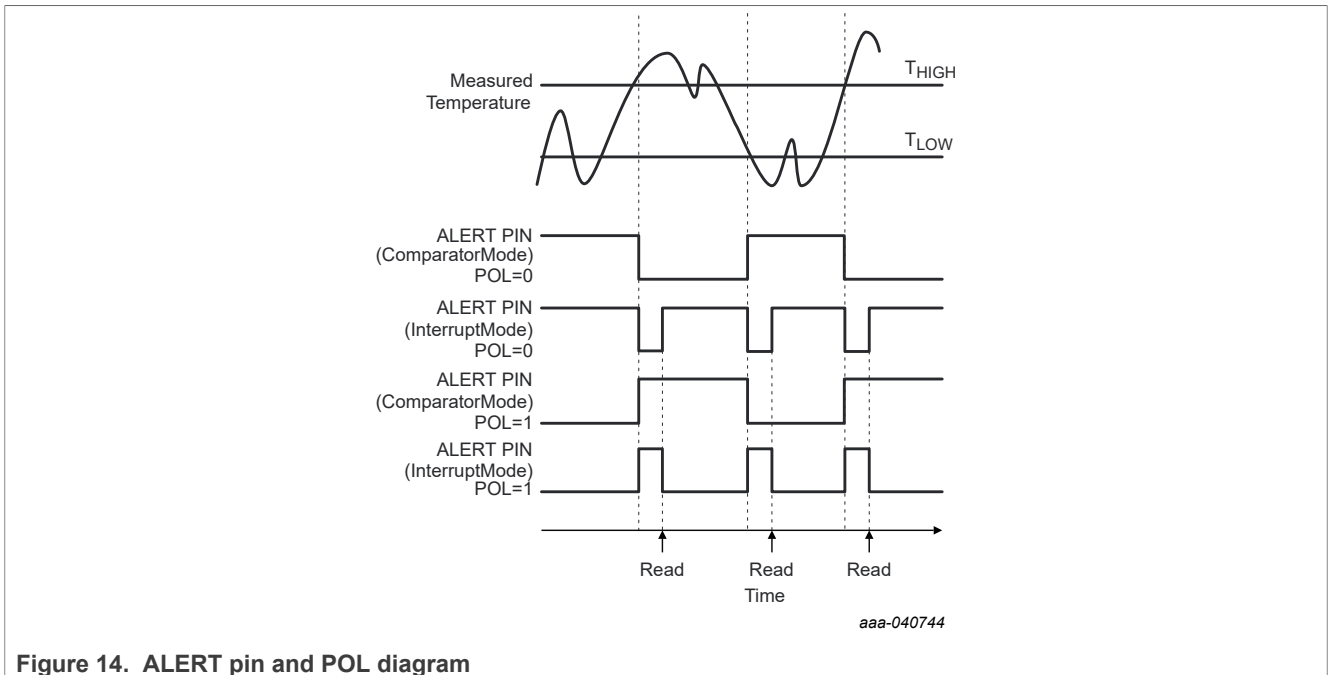


Figure 14. ALERT pin and POL diagram

### 7.5.7 Fault Queue (F1/F0)

When the measured temperature exceeds the user-defined limit set in the T<sub>HIGH</sub> and T<sub>LOW</sub> registers, the fault condition is triggered. The fault queue can be programmed for the number of fault conditions required to generate an alert to prevent false alert caused by environmental noise. [Table 20](#) defines the number of measured faults that can be set to trigger an alert condition in the temperature sensor. See the [Section 7.5.10](#) section T<sub>HIGH</sub> and T<sub>LOW</sub> registers format.

Table 20. Fault settings

F1	F0	CONSECUTIVE FAULTS
0	0	1
0	1	2 (default)
1	0	4
1	1	6

### 7.5.8 Conversion time (R1 and R0)

The converter time is determined by bit R1 and R0. [Table 21](#) identifies the resolution bits and the conversion time.

Table 21. Conversion time

R1	R0	Conversion Time
0	0	27.5 ms
0	1	55 ms (default)
1	0	110 ms
1	1	220 ms

7.5.9 One-Shot (OS)

P3T1755 has a one-shot temperature measurement mode. When P3T1755 is set in shutdown mode, writing 1 to the OS bit starts the one-shot temperature measurement (i.e. single temperature conversion.) After the conversion is complete, P3T1755 returns to the shutdown state. When continuous temperature monitoring is not required, this function can be used to reduce the power consumption of the P3T1755. When reading the configuration register, the OS always reads zero.

7.5.10 High- and low-limit registers

In the comparator mode (TM = 0), when the temperature equals or exceeds the value in T<sub>HIGH</sub>, the ALERT pin becomes active, and a consecutive number of faults are generated according to the fault bits F1 and F0. The ALERT pin remains active until the temperature drops below the indicated T<sub>LOW</sub> value for the same consecutive number of faults.

In interrupt mode (TM = 1), when the temperature equals or exceeds T<sub>HIGH</sub> for a consecutive number of fault conditions, the ALERT pin becomes active. The ALERT pin remains active until any register read operation occurs or the device responds to the SMBus Alert response address successfully. If the device is set in shutdown mode, the ALERT pin is also cleared. After the ALERT pin is cleared, the pin becomes active again only when the temperature drops below T<sub>LOW</sub>. When the temperature drops below T<sub>LOW</sub>, the ALERT pin becomes active and remains active until it is cleared by any register read operation or the device responds to the SMBus Alert response address successfully. After the ALERT pin is cleared, the above cycle is repeated, and the ALERT pin becomes active when the temperature equals or exceeds T<sub>HIGH</sub>. The ALERT pin can also be cleared by resetting the device using the general call reset command. By returning the device to the comparator mode (TM = 0), this operation also clears the state of the internal registers in the device.

[Table 22](#), [Table 23](#), [Table 24](#) and [Table 25](#) describe the format of the T<sub>HIGH</sub> and T<sub>LOW</sub> registers. The most significant byte is sent first, and then the least significant byte. The power-on reset values of T<sub>HIGH</sub> and T<sub>LOW</sub> are:

T<sub>HIGH</sub> = 80 °C and T<sub>LOW</sub> = 75 °C

The data format of T<sub>HIGH</sub> and T<sub>LOW</sub> is the same as that of the temperature register.

Table 22. Byte 1 of the T<sub>HIGH</sub> register

D7	D6	D5	D4	D3	D2	D1	D0
H11	H10	H9	H8	H7	H6	H5	H4

Table 23. Byte 2 of the T<sub>HIGH</sub> Register

D7	D6	D5	D4	D3	D2	D1	D0
H3	H2	H1	H0	0	0	0	0

Table 24. Byte 1 of the T<sub>LOW</sub> Register

D7	D6	D5	D4	D3	D2	D1	D0
L11	L10	L9	L8	L7	L6	L5	L4

Table 25. Byte 2 of the T<sub>LOW</sub> Register

D7	D6	D5	D4	D3	D2	D1	D0
L3	L2	L1	L0	0	0	0	0

### 7.6 Protocols for writing and reading the registers

The communication between the host and the device must strictly follow the rules as defined by the I<sup>2</sup>C-bus management. The protocols for device register read/write operations are illustrated in [Figure 15](#) to [Figure 20](#) together with the following definitions:

1. Before a communication, the I<sup>2</sup>C-bus must be free or not busy. It means that the SCL and SDA lines must both be released by all devices on the bus, and they become HIGH by the bus pull-up resistors.
2. The host must provide SCL clock pulses necessary for the communication. Data is transferred in a sequence of 9 SCL clock pulses for every 8-bit data byte followed by 1-bit status of the acknowledgement.
3. During data transfer, except the START and STOP signals, the SDA signal must be stable while the SCL signal is HIGH. It means that the SDA signal can be changed only during the LOW duration of the SCL line.
4. S: START signal, initiated by the host to start a communication, the SDA goes from HIGH to LOW while the SCL is HIGH.
5. RS: RE-START signal, same as the START signal, to start a read command that follows a write command.
6. P: STOP signal, generated by the host to stop a communication, the SDA goes from LOW to HIGH while the SCL is HIGH. The bus becomes free thereafter.
7. W: write bit, when the write/read bit = LOW in a write command.
8. R: read bit, when the write/read bit = HIGH in a read command.
9. A: device acknowledge bit, returned by the device. It is LOW if the device works properly and HIGH if not. The host must release the SDA line during this period in order to give the device the control on the SDA line.
10. A': controller acknowledge bit, not returned by the device, but set by the controller or host in reading 2-byte data. During this clock period, the host must set the SDA line to LOW in order to notify the device that the first byte has been read for the device to provide the second byte onto the bus.
11. NA: Not Acknowledge bit. During this clock period, both the device and host release the SDA line at the end of a data transfer, the host is then enabled to generate the STOP signal.
12. In a write protocol, data is sent from the host to the device and the host controls the SDA line, except during the clock period when the device sends the device acknowledgement signal to the bus.
13. In a read protocol, data is sent to the bus by the device and the host must release the SDA line during the time that the device is providing data onto the bus and controlling the SDA line, except during the clock period when the controller sends the controller acknowledgement signal to the bus.
14. For best temperature accuracy both temperature bytes should be read as shown in [Figure 19](#) and [Figure 20](#) but for a quick less accurate check/reduce bus transmission then only one byte, the MSByte, needs to be read as shown in [Figure 20](#).

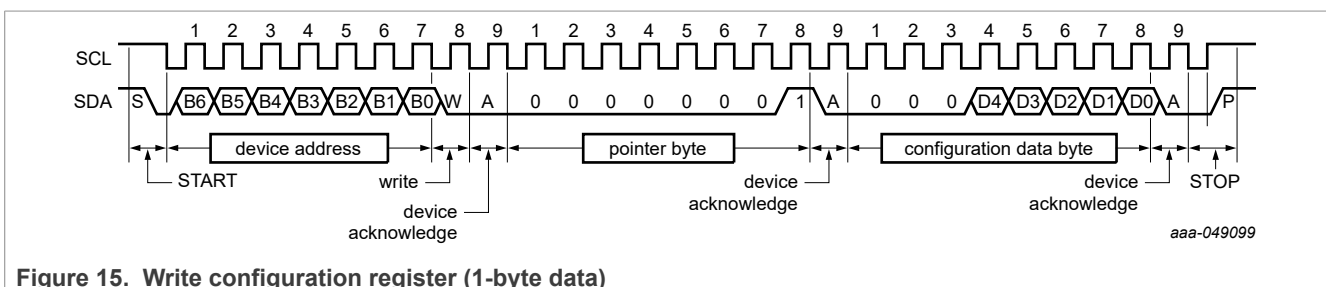


Figure 15. Write configuration register (1-byte data)

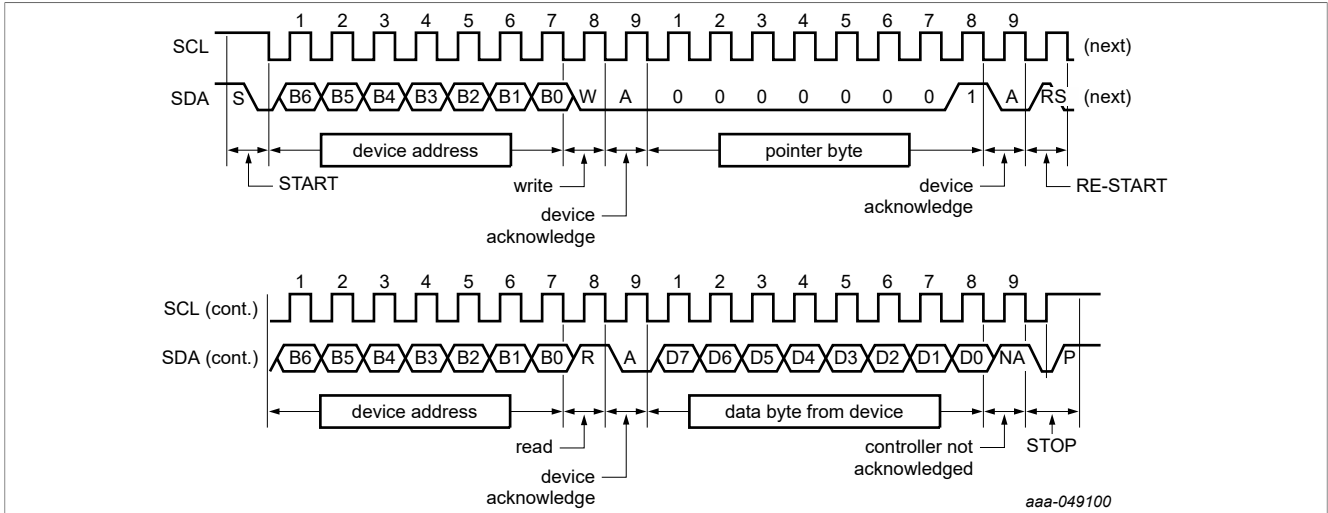


Figure 16. Read configuration register including pointer byte (1-byte data)

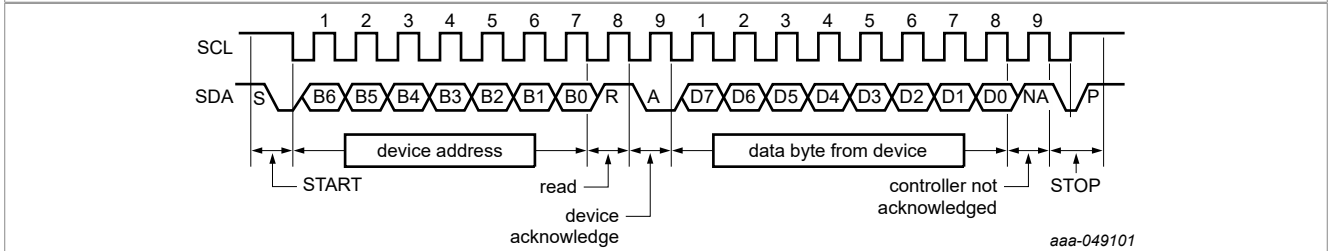


Figure 17. Read configuration or temp register with preset pointer (1-byte data)

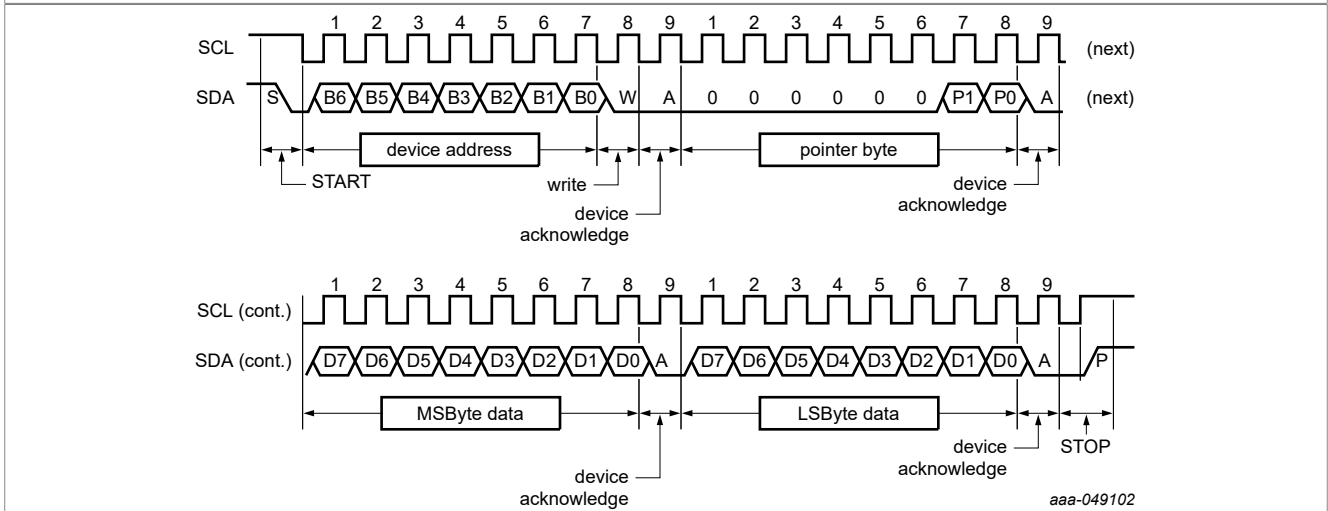


Figure 18. Write register (2-byte data)

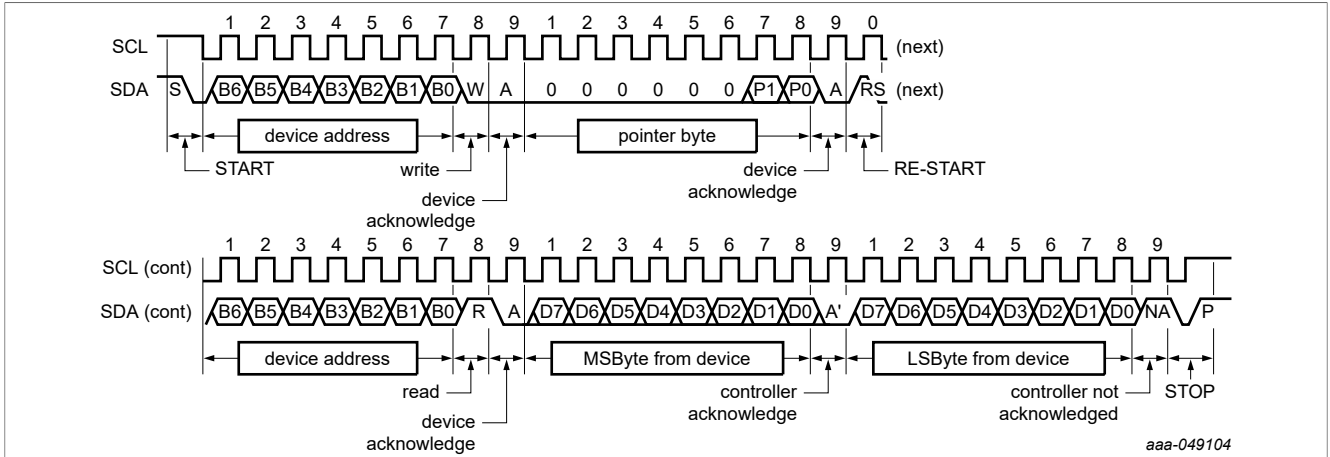


Figure 19. Read register including pointer byte (2-byte data)

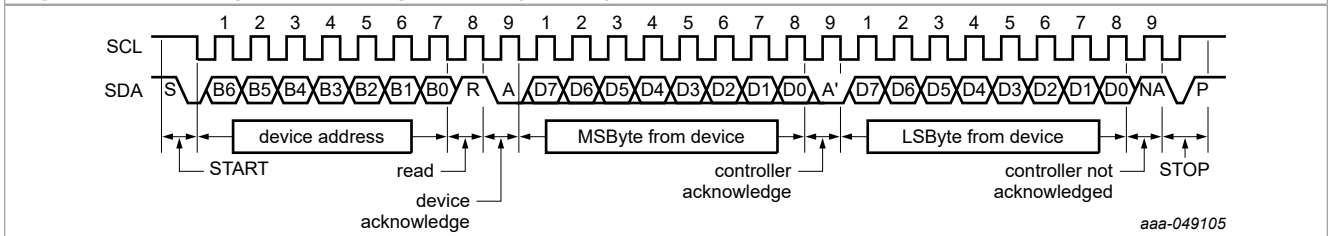
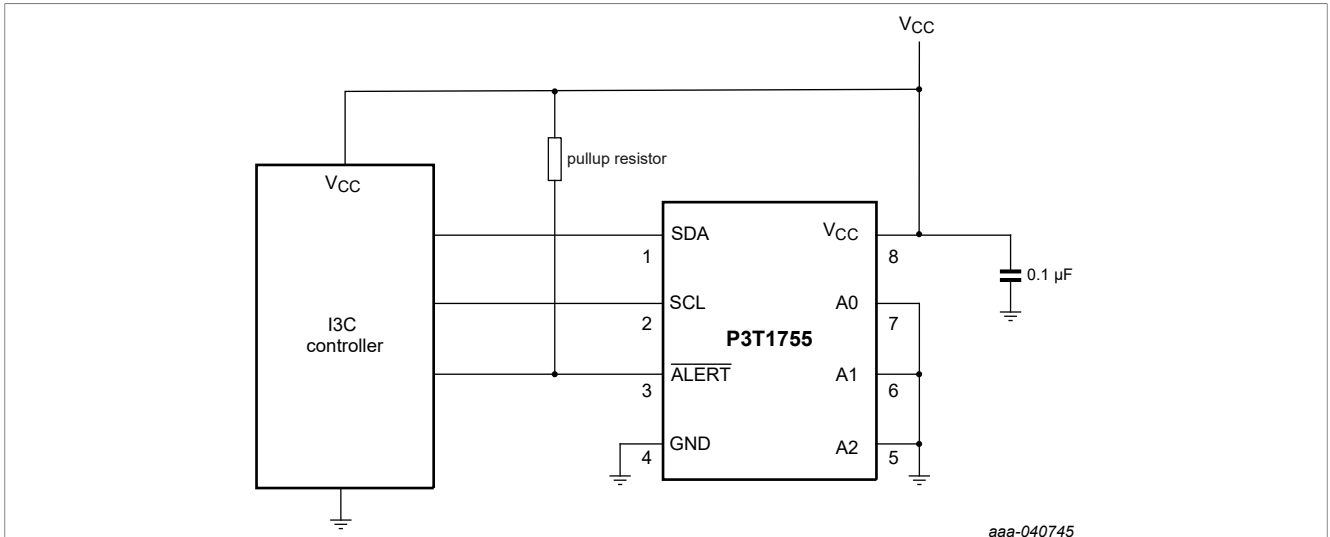


Figure 20. Read register with preset pointer (2-byte data)

## 8 Application design-in information

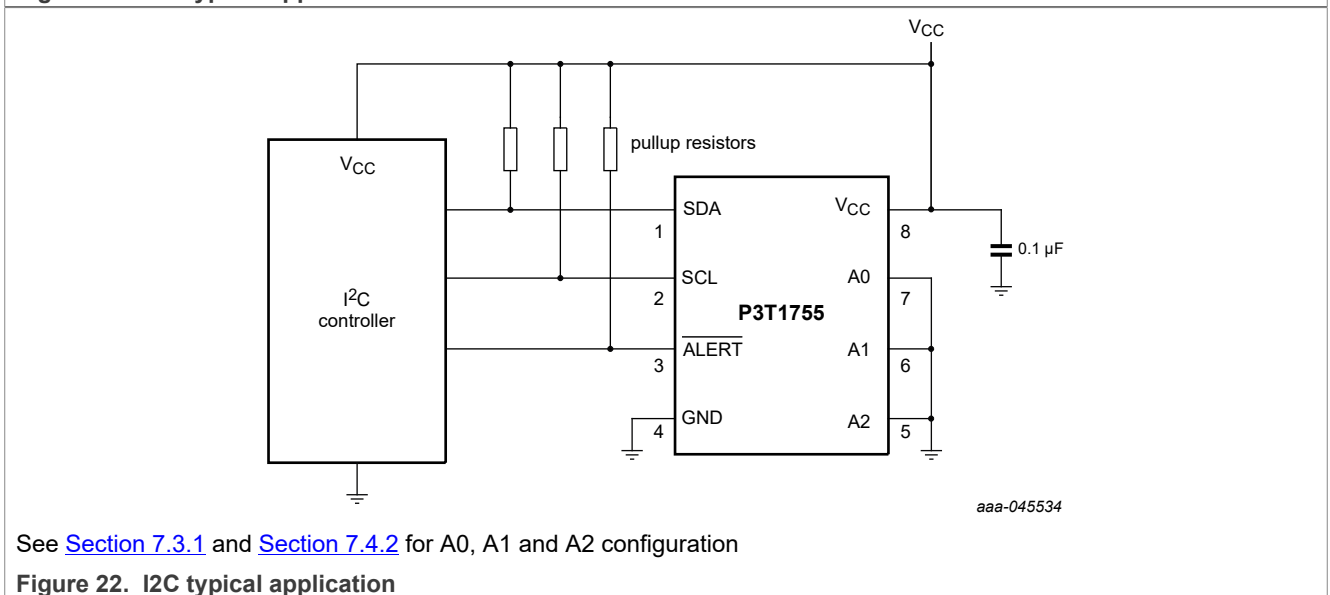
### 8.1 Typical application



aaa-040745

See [Section 7.3.1](#) and [Section 7.4.2](#) for A0, A1 and A2 configuration

Figure 21. I3C typical application



aaa-045534

See [Section 7.3.1](#) and [Section 7.4.2](#) for A0, A1 and A2 configuration

Figure 22. I2C typical application

### 8.2 Temperature accuracy

Because the local channel of the temperature sensor measures its own die temperature that is transferred from its body, the temperature of the device body must be stabilized and saturated for it to provide the stable readings. Because the device operates at a low-power level, the thermal gradient of the device package has a minor effect on the measurement.

The accuracy of the measurement is more dependent upon the definition of the environment temperature, which is affected by different factors: the printed-circuit board on which the device is mounted; the air flow contacting the device body (if the ambient air temperature and the printed-circuit board temperature are much



different, then the measurement may not be stable because of the different thermal paths between the die and the environment).

The stabilized temperature liquid of a thermal bath provides the best temperature environment when the device is completely dipped into it. A thermal probe with the device mounted inside a sealed-end metal tube located in consistent temperature air also provides a good method of temperature measurement.

### 8.3 Noise effect

The device design includes the implementation of basic features for a good noise immunity:

- The 20 ns low-pass filter on both the bus pins SCL and SDA.
- The hysteresis of the threshold voltages to the bus input signals SCL and SDA, about 200 mV minimum.

However, good layout practices and extra noise filters are recommended when the device is used in a very noisy environment:

- Use decoupling capacitors at V<sub>CC</sub> pin.
- Keep the digital traces away from switching power supplies.
- Apply proper terminations for the long board traces.
- Add capacitors to the SCL and SDA lines to increase the low-pass filter characteristics.

### 8.4 POR and I3C Communication

To execute the power-on reset (POR) successfully and ensure normal operation, V<sub>CC</sub> requires a starting voltage that is less than 300 mV. If this is violated, the device may remain in an indeterminate state that causes I<sup>2</sup>C/I3C communication failure.

## 9 Limiting values

**Table 26. Limiting values**

*In accordance with the Absolute Maximum Rating System (IEC 60134).*

Symbol	Parameter	Conditions	Min	Max	Unit
V <sub>CC</sub>	supply voltage		-0.3	+4.0	V
V <sub>I</sub>	input voltage	SCL, A0, A1 and A2 at V <sub>CC</sub> = -0.3 V to +4 V	-0.3	+4.0	V
		SDA, ALERT at V <sub>CC</sub> = +1.4 V to +4 V	-0.3	V <sub>CC</sub> + 0.3 V and ≤ 4 V	V
		SDA, ALERT at V <sub>CC</sub> = +0 V	-0.3	+4.0	V
I <sub>I</sub>	input current	at input pins	-5.0	+5.0	mA
V <sub>O</sub>	output voltage	at output pin	-0.3	+4.0	V
T <sub>op</sub>	operating temperature		-40	+125	°C
T <sub>stg</sub>	storage temperature		-65	+150	°C
T <sub>j</sub>	junction temperature		-	150	°C
V <sub>ESD</sub>	electrostatic discharge voltage	Human Body Model (HBM) JS-001-2017; all pins	-2000	+2000	V
		Charge Device Model (CDM) JS-002-2018; all pins	-1000	+1000	V

### 9.1 Thermal characteristics

Table 27. P3T1755 (TSSOP8) thermal characteristics

Symbol	Parameter	Value (typ) <sup>[1]</sup>	unit
θJA	Junction-to-ambient thermal resistance	190	°C/W
θJC(top)	Junction-to-case(top) thermal resistance	81	°C/W
θJB	Junction-to-board thermal resistance	110	°C/W
ΨJT	Junction-to-top characterization parameter	16.1	°C/W
ΨJB	Junction-to-board characterization parameter	112.5	°C/W

[1] P3T1755 power dissipation is less than 1 mW. (See Table 26 for IQ vs different conditions.) The self-heating is neglectable.

## 10 Recommended operating conditions

Table 28. Recommended operating characteristics

Symbol	Parameter	Conditions	Min	Typ	Max	Unit
V <sub>CC</sub>	supply voltage		1.4	-	3.6	V
V <sub>I</sub>	input voltage	SCL, A0, A1 and A2	0	-	3.6	V
		SDA, ALERT at V <sub>CC</sub> = +1.4 V to +3.6 V			V <sub>CC</sub> + 0.3 and ≤ 3.6	V
		SDA, ALERT at V <sub>CC</sub> = +0 V	0		3.6 <sup>[1]</sup>	V
V <sub>O</sub>	output voltage	digital pins	0		V <sub>CC</sub> <sup>[2]</sup>	V
T <sub>amb</sub>	ambient temperature		-40	-	+125	°C

[1] It allows the system to turn off P3T1755 V<sub>CC</sub> and keeps I<sup>2</sup>C/I3C bus V<sub>CC</sub> active for power management.

[2] For push-pull, the V<sub>O</sub> max = V<sub>CC</sub>. For open-drain, the pull-up V<sub>O</sub> max = 3.6 V

## 11 Static characteristics

Table 29. Static characteristics

V<sub>CC</sub> = 1.4 V to 3.6 V; T<sub>amb</sub> = -40 °C to +125 °C, unless otherwise specified

Symbol	Parameter	Conditions	Min	Typ <sup>[1]</sup>	Max	Unit
T <sub>acc</sub>	temperature accuracy	T = -20 °C to +85 °C , 1.4 V ≤ V <sub>CC</sub> ≤ 3.6 V	-0.5	-	+0.5	°C
		T = -40 °C to +125 °C 1.4 V ≤ V <sub>CC</sub> ≤ 3.6 V	-1	-	+1	°C
T <sub>res</sub>	temperature resolution	12-bit digital temp data	-	0.0625	-	°C
t <sub>conv(T)</sub>	temperature conversion time	One-shot mode		7.8	12	ms

**Table 29. Static characteristics...continued**

$V_{CC} = 1.4\text{ V to }3.6\text{ V}$ ;  $T_{amb} = -40\text{ °C to }+125\text{ °C}$ , unless otherwise specified

Symbol	Parameter	Conditions	Min	Typ <sup>[1]</sup>	Max	Unit
Con <sub>MOD</sub>	conversion modes	R1 = 0, R0 = 0		27.5		ms
		R1 = 0, R0 = 1 (default)		55		ms
		R1 = 1, R0 = 0		110		ms
		R1 = 1, R0 = 1		220		ms
V <sub>POR</sub>	power-on reset voltage	V <sub>CC</sub> must ramp up from initial level <300 mV	-	-	1.2	V
t <sub>act</sub>	active time	I <sup>2</sup> C/I3C active after V <sub>CC</sub> ≥ V <sub>POR</sub>	-	-	20	ms
I <sub>Q</sub>	Quiescent current (V <sub>CC</sub> = 1.8 V)	I <sup>2</sup> C bus inactive, R1 = 1, R0 = 1, T <sub>amb</sub> = +25 °C		4.1	6.3	μA
		I <sup>2</sup> C bus inactive, R1 = 1, R0 = 1, -40 °C to +125 °C			19.2	μA
		I <sup>2</sup> C bus active, SCL frequency = 400 kHz, R1 = 1, R0 = 1		10		μA
		I <sup>2</sup> C bus active, SCL frequency = 3.4 MHz, R1 = 1, R0 = 1		80		μA
I <sub>SD</sub>	Shutdown current (V <sub>CC</sub> = 1.8 V)	I <sup>2</sup> C bus inactive, T <sub>amb</sub> = +25 °C		0.2	1	μA
		I <sup>2</sup> C bus active, SCL frequency = 400 kHz		8		μA
		I <sup>2</sup> C bus active, SCL frequency = 3.4 MHz		75		μA
V <sub>IH</sub>	HIGH-level input voltage	digital pins (SCL, SDA and A0)	0.7 × V <sub>CC</sub>	-	-	V
V <sub>IL</sub>	LOW-level input voltage	digital pins	-	-	0.3 × V <sub>CC</sub>	V
I <sub>IN</sub>	Digital pin input current	0 V < V <sub>IN</sub> < V <sub>CC</sub> + 0.3 at T <sub>amb</sub> = 25 °C	-		1	μA
V <sub>OL</sub>	LOW-level output voltage	V <sub>CC</sub> > 2 V ; I <sub>OL</sub> = 3 mA	-	-	0.4	V
		V <sub>CC</sub> < 2 V ; I <sub>OL</sub> = 3 mA	-	-	0.2 × V <sub>CC</sub>	V
C <sub>I</sub>	input capacitance	digital pins	-	-	10	pF

[1] Typical values are at V<sub>CC</sub> = 3.3 V and T<sub>amb</sub> = 25 °C

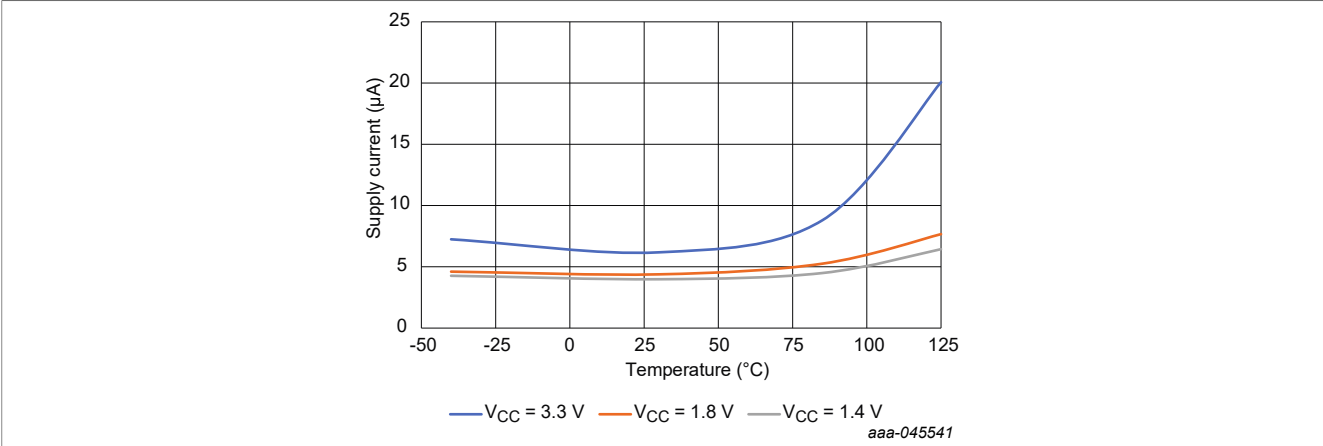


Figure 23. Supply current versus temperature (bus inactive, one conversion per second)

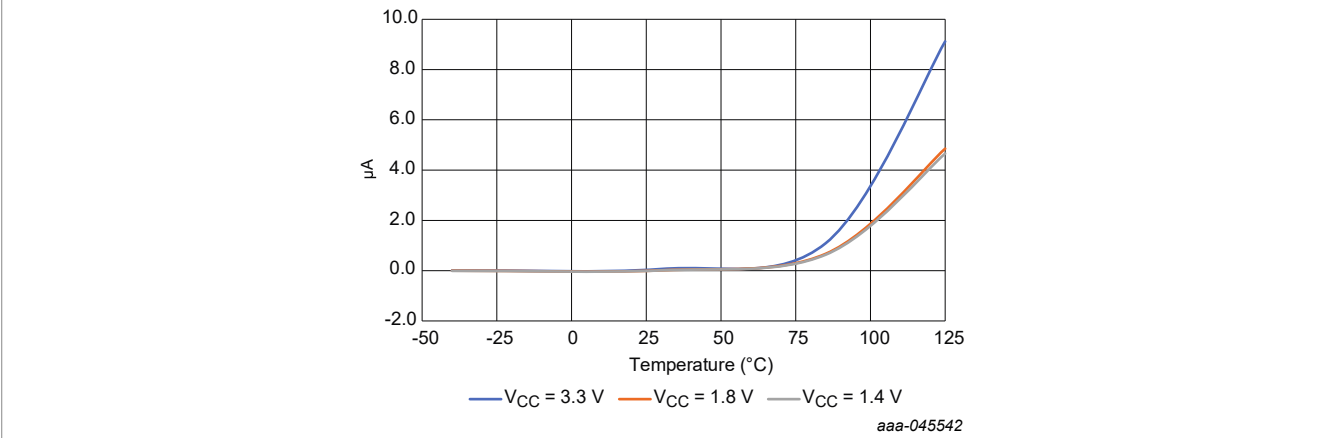


Figure 24. Shutdown current versus temperature

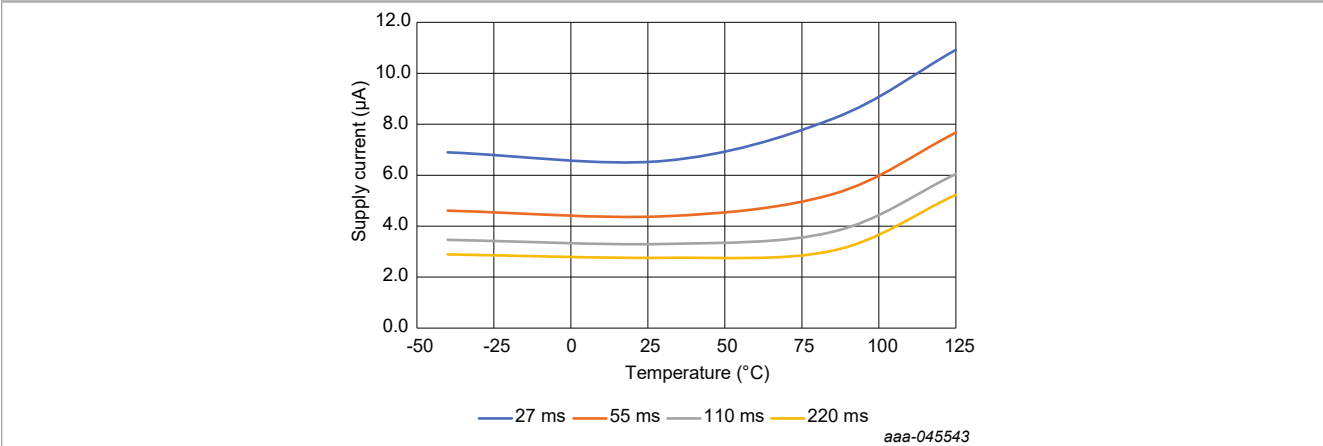


Figure 25. Supply current versus conversion time and temperature (V<sub>CC</sub> = 1.8 V, bus inactive)

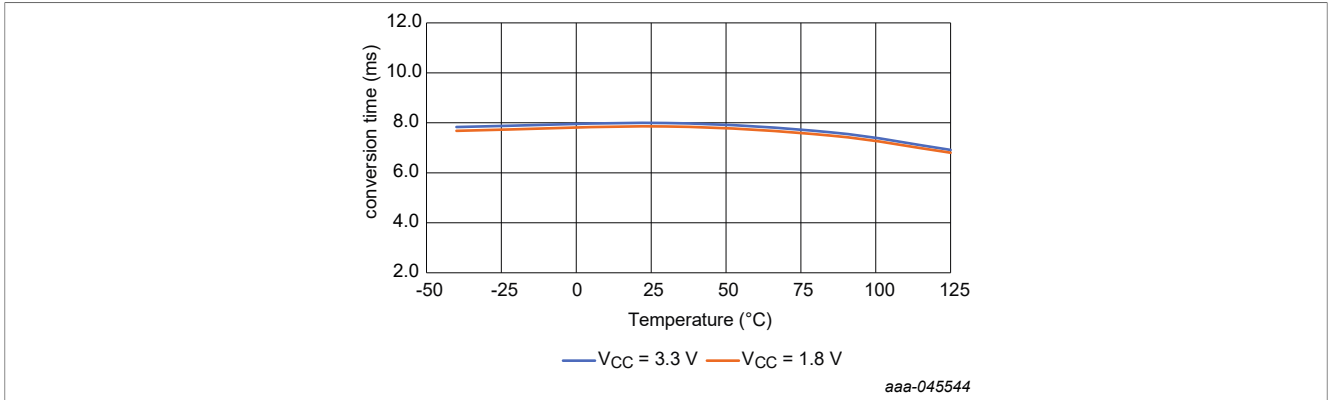


Figure 26. One-shot conversion time vs temperature

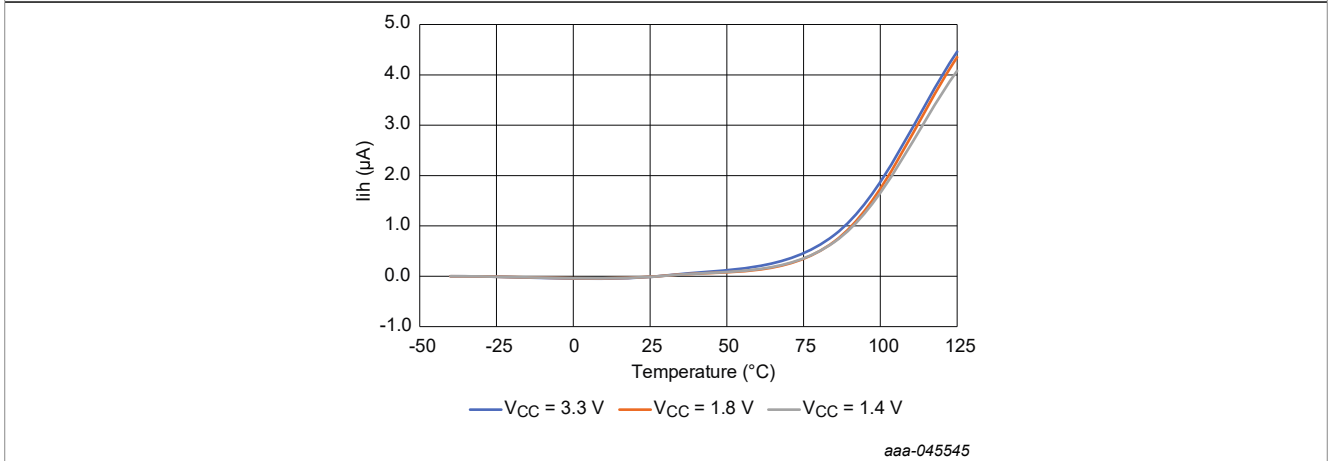


Figure 27. HIGH-level input current versus temperature; digital pins (V<sub>CC</sub> = 1.4 V to 3.6 V)

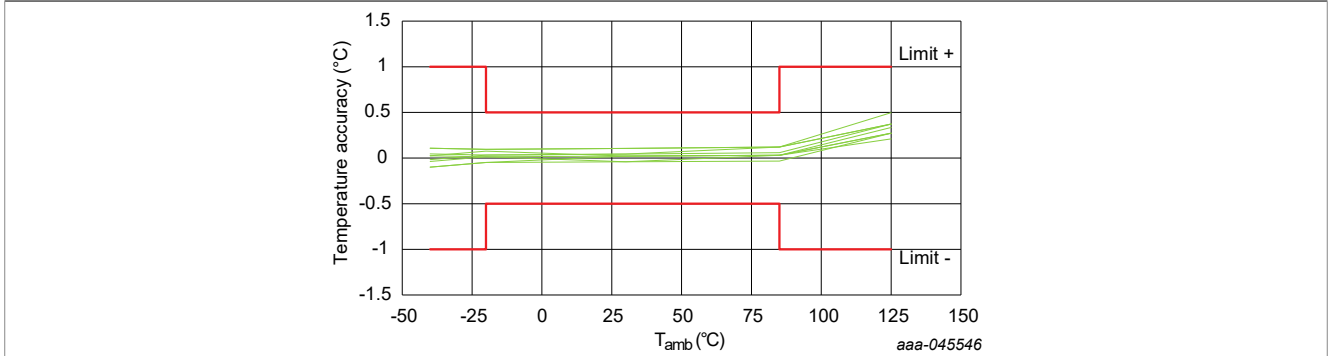


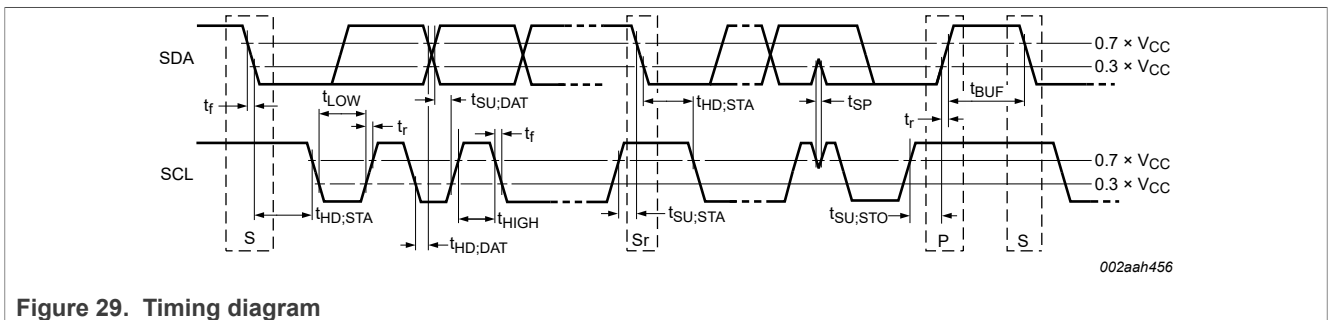
Figure 28. Accuracy vs temperature (V<sub>CC</sub> = 1.4 V to 3.6 V)

## 12 Dynamic characteristics

**Table 30. I<sup>2</sup>C-bus interface dynamic characteristics**

$V_{CC} = 1.4\text{ V to }3.6\text{ V}$ ;  $T_{amb} = -40\text{ °C to }+125\text{ °C}$ ; unless otherwise specified. These specifications are guaranteed by design and not tested in production.

Symbol	Parameter	Conditions	Fast Mode		High speed mode		Unit
			Min	Max	Min	Max	
fSCL	SCL clock frequency, $V_{CC} \geq 1.8\text{ V}$		0.001	0.4	0.001	3.4	MHz
	SCL clock frequency, $V_{CC} < 1.8\text{ V}$		0.001	0.4	0.001	2.5	MHz
t <sub>HIGH</sub>	HIGH period of the SCL clock		600	-	60	-	ns
t <sub>LOW</sub>	LOW period of the SCL clock, $V_{CC} \geq 1.8\text{ V}$		1300	-	160	-	ns
	LOW period of the SCL clock, $V_{CC} < 1.8\text{ V}$		1300	-	260	-	ns
t <sub>HD;STA</sub>	hold time (repeated) START condition		600	-	160	-	ns
t <sub>SU;DAT</sub>	data set-up time, $V_{CC} \geq 1.8\text{ V}$		100	-	10	-	ns
	data set-up time, $V_{CC} < 1.8\text{ V}$		100	-	45	-	ns
t <sub>HD;DAT</sub>	data hold time, $V_{CC} \geq 1.8\text{ V}$		-	900	-	70	ns
	data hold time, $V_{CC} < 1.8\text{ V}$		-	900	-	130	ns
t <sub>SU;STO</sub>	set-up time for STOP condition		0.6	-	0.16	-	µs
t <sub>r</sub> , t <sub>f</sub> (SCL)	Clock Rise/fall time		-	300	-	40	ns
t <sub>r</sub> , t <sub>f</sub> (SDA)	Data Rise/fall time		-	300	-	80	ns
t <sub>r</sub>	Clock/data rise time for SCL ≤ 100 kHz	SCL ≤ 100 kHz	-	1000	-	-	ns



**Figure 29. Timing diagram**

**Table 31. I3C-bus interface dynamic characteristics**

$V_{CC} = 1.4\text{ V}$ ;  $T_{amb} = -40\text{ °C to }+125\text{ °C}$ ; unless otherwise specified. These specifications are guaranteed by design and not tested in production.

Symbol	Parameter	Min	Typ	Max	Unit
<b>I3C Open Drain Timing Parameters</b>					
t <sub>HIGH</sub>	HIGH period of the SCL clock			41	ns
t <sub>LOW_OD</sub>	LOW period of the SCL clock	200		-	ns
t <sub>DIG_H</sub>	Logic HIGH period of the SCL clock	32		t <sub>HIGH</sub> + t <sub>CF</sub>	ns

I3C, I<sup>2</sup>C-bus interface, 0.5 °C accuracy, digital temperature sensor

**Table 31. I3C-bus interface dynamic characteristics...continued**

V<sub>CC</sub> = 1.4 V; T<sub>amb</sub> = -40 °C to +125 °C; unless otherwise specified. These specifications are guaranteed by design and not tested in production.

Symbol	Parameter	Min	Typ	Max	Unit
t <sub>DIG_OD_L</sub>	Logic LOW period of the SCL clock	t <sub>LOW_ODmin</sub> + t <sub>fDA_ODmin</sub>			ns
t <sub>fDA_OD</sub>	Fall time of SDA	t <sub>CF</sub>		21	ns
t <sub>SU_OD</sub>	SDA setup time during Open-Drain mode	3			ns
t <sub>CAS</sub>	Clock after Start condition	38.4n			s
t <sub>CBP</sub>	Clock before Stop condition	t <sub>CASmin</sub> /2			s
t <sub>MMoverlap</sub>	Current Controller to Secondary Controller Overlap time during handoff	t <sub>DIG_OD_Lmin</sub>			ns
t <sub>AVAL</sub>	Bus available condition	20			µs
t <sub>IDLE</sub>	Bus idle condition	1			ms
t <sub>MMLock</sub>	Time Interval Where New Controller Not Driving SDA Low	t <sub>AVALmin</sub>			µs
<b>I3C Push_Pull Timing Parameters</b>					
f <sub>SCL</sub>	SCL clock frequency	0.01	9.8	10	MHz
t <sub>HIGH</sub>	HIGH period of the SCL clock	24		-	ns
t <sub>LOW</sub>	LOW period of the SCL clock	57		-	ns
t <sub>DIG_H</sub>	Logic HIGH period of the SCL clock	32		-	ns
t <sub>DIG_L</sub>	Logic LOW period of the SCL clock	65		-	ns
t <sub>DIG_H_MIXED</sub>	Logic HIGH period of the SCL clock for mixed bus	32		-	ns
t <sub>HIGH_MIXED</sub>	HIGH period of the SCL clock for mixed bus	24		-	ns
t <sub>SCO</sub>	Clock in to Data Out for Target			42	ns
t <sub>CR</sub>	fall time of SCL signal	-	150/f <sub>SCL</sub>		ns
t <sub>CF</sub>	fall time of SCL signal	-	150/f <sub>SCL</sub>		ns
t <sub>HD_PP</sub>	SDA signal Data Hold in Push-Pull mode	0		-	ns
t <sub>SU_PP</sub>	SDA signal Data setup in Push-Pull mode	3		-	ns
t <sub>CASr</sub>	Clock after repeated Start(Sr)	t <sub>CASmin</sub>		-	ns
t <sub>CBSr</sub>	Clock before repeated Start(Sr)	t <sub>CASmin</sub> /2		-	ns
C <sub>b</sub>	Capacitive load per Bus Line(SCL/SDA)	-		50	pF

**Table 32. I3C-bus interface dynamic characteristics**

V<sub>CC</sub> = 1.8 V; T<sub>amb</sub> = -40 °C to +125 °C; unless otherwise specified. These specifications are guaranteed by design and not tested in production.

Symbol	Parameter	Min	Typ	Max	Unit
<b>I3C Open Drain Timing Parameters</b>					
t <sub>HIGH</sub>	HIGH period of the SCL clock			41	ns
t <sub>LOW_OD</sub>	LOW period of the SCL clock	200		-	ns

I3C, I<sup>2</sup>C-bus interface, 0.5 °C accuracy, digital temperature sensor

**Table 32. I3C-bus interface dynamic characteristics...continued**

V<sub>CC</sub> = 1.8 V; T<sub>amb</sub> = -40 °C to +125 °C; unless otherwise specified. These specifications are guaranteed by design and not tested in production.

Symbol	Parameter	Min	Typ	Max	Unit
t <sub>DIG_H</sub>	Logic HIGH period of the SCL clock	32		t <sub>HIGH</sub> + t <sub>CF</sub>	ns
t <sub>DIG_OD_L</sub>	Logic LOW period of the SCL clock	t <sub>LOW_ODmin</sub> + t <sub>fDA_ODmin</sub>			ns
t <sub>fDA_OD</sub>	Fall time of SDA	t <sub>CF</sub>		16	ns
t <sub>SU_OD</sub>	SDA setup time during Open-Drain mode	3			ns
t <sub>CAS</sub>	Clock after Start condition	38.4n			s
t <sub>CBP</sub>	Clock before Stop condition	t <sub>CASmin</sub> /2			s
t <sub>MMoverlap</sub>	Current Controller to Secondary Controller Overlap time during handoff	t <sub>DIG_OD_Lmin</sub>			ns
t <sub>AVAL</sub>	Bus available condition	20			µs
t <sub>IDLE</sub>	Bus idle condition	1			ms
t <sub>MMLock</sub>	Time Interval Where New Controller Not Driving SDA Low	t <sub>AVALmin</sub>			µs
<b>I3C Push_Pull Timing Parameters</b>					
f <sub>SCL</sub>	SCL clock frequency	0.01	12.5	12.9	MHz
t <sub>HIGH</sub>	HIGH period of the SCL clock	24		-	ns
t <sub>LOW</sub>	LOW period of the SCL clock	38		-	ns
t <sub>DIG_H</sub>	Logic HIGH period of the SCL clock	32		-	ns
t <sub>DIG_L</sub>	Logic LOW period of the SCL clock	32		-	ns
t <sub>DIG_H_MIXED</sub>	Logic HIGH period of the SCL clock for mixed bus	32		-	ns
t <sub>HIGH_MIXED</sub>	HIGH period of the SCL clock for mixed bus	24		-	ns
t <sub>SCO</sub>	Clock in to Data Out for Target			28	ns
t <sub>CR</sub>	fall time of SCL signal	-	150/f <sub>SCL</sub>		ns
t <sub>CF</sub>	fall time of SCL signal	-	150/f <sub>SCL</sub>		ns
t <sub>HD_PP</sub>	SDA signal Data Hold in Push-Pull mode	0		-	ns
t <sub>SU_PP</sub>	SDA signal Data setup in Push-Pull mode	3		-	ns
t <sub>CASr</sub>	Clock after repeated Start(Sr)	t <sub>CASmin</sub>		-	ns
t <sub>CBSr</sub>	Clock before repeated Start(Sr)	t <sub>CASmin</sub> /2		-	ns
C <sub>b</sub>	Capacitive load per Bus Line(SCL/SDA)	-		50	pF

**Table 33. I3C-bus interface dynamic characteristics**

V<sub>CC</sub> = 3.6 V; T<sub>amb</sub> = -40 °C to +125 °C; unless otherwise specified. These specifications are guaranteed by design and not tested in production.

Symbol	Parameter	Min	Typ	Max	Unit
<b>I3C Open Drain Timing Parameters</b>					
t <sub>HIGH</sub>	HIGH period of the SCL clock			41	ns



**Table 33. I3C-bus interface dynamic characteristics...continued**

$V_{CC} = 3.6\text{ V}$ ;  $T_{amb} = -40\text{ °C to }+125\text{ °C}$ ; unless otherwise specified. These specifications are guaranteed by design and not tested in production.

Symbol	Parameter	Min	Typ	Max	Unit
t <sub>LOW_OD</sub>	LOW period of the SCL clock	200		-	ns
t <sub>DIG_H</sub>	Logic HIGH period of the SCL clock	32		t <sub>HIGH</sub> + t <sub>CF</sub>	ns
t <sub>DIG_OD_L</sub>	Logic LOW period of the SCL clock	t <sub>LOW_ODmin</sub> + t <sub>fDA_ODmin</sub>			ns
t <sub>fDA_OD</sub>	Fall time of SDA	t <sub>CF</sub>		12	ns
t <sub>SU_OD</sub>	SDA setup time during Open-Drain mode	3			ns
t <sub>CAS</sub>	Clock after Start condition	38.4n			s
t <sub>CBP</sub>	Clock before Stop condition	t <sub>CASmin</sub> /2			s
t <sub>MMoverlap</sub>	Current Controller to Secondary Controller Overlap time during handoff	t <sub>DIG_OD_Lmin</sub>			ns
t <sub>AVAL</sub>	Bus available condition	20			µs
t <sub>IDLE</sub>	Bus idle condition	1			ms
t <sub>MMLock</sub>	Time Interval Where New Controller Not Driving SDA Low	t <sub>AVALmin</sub>			µs
<b>I3C Push_Pull Timing Parameters</b>					
f <sub>SCL</sub>	SCL clock frequency	0.01	12.5	12.9	MHz
t <sub>HIGH</sub>	HIGH period of the SCL clock	24		-	ns
t <sub>LOW</sub>	LOW period of the SCL clock	24		-	ns
t <sub>DIG_H</sub>	Logic HIGH period of the SCL clock	32		-	ns
t <sub>DIG_L</sub>	Logic LOW period of the SCL clock	32		-	ns
t <sub>DIG_H_MIXED</sub>	Logic HIGH period of the SCL clock for mixed bus	32		-	ns
t <sub>HIGH_MIXED</sub>	HIGH period of the SCL clock for mixed bus	24		-	ns
t <sub>SCO</sub>	Clock in to Data Out for Target			12	ns
t <sub>CR</sub>	fall time of SCL signal	-	150/f <sub>SCL</sub>		ns
t <sub>CF</sub>	fall time of SCL signal	-	150/f <sub>SCL</sub>		ns
t <sub>HD_PP</sub>	SDA signal Data Hold in Push-Pull mode	0		-	ns
t <sub>SU_PP</sub>	SDA signal Data setup in Push-Pull mode	3		-	ns
t <sub>CASr</sub>	Clock after repeated Start(Sr)	t <sub>CASmin</sub>		-	ns
t <sub>CBSr</sub>	Clock before repeated Start(Sr)	t <sub>CASmin</sub> /2		-	ns
C <sub>b</sub>	Capacitive load per Bus Line(SCL/SDA)	-		50	pF

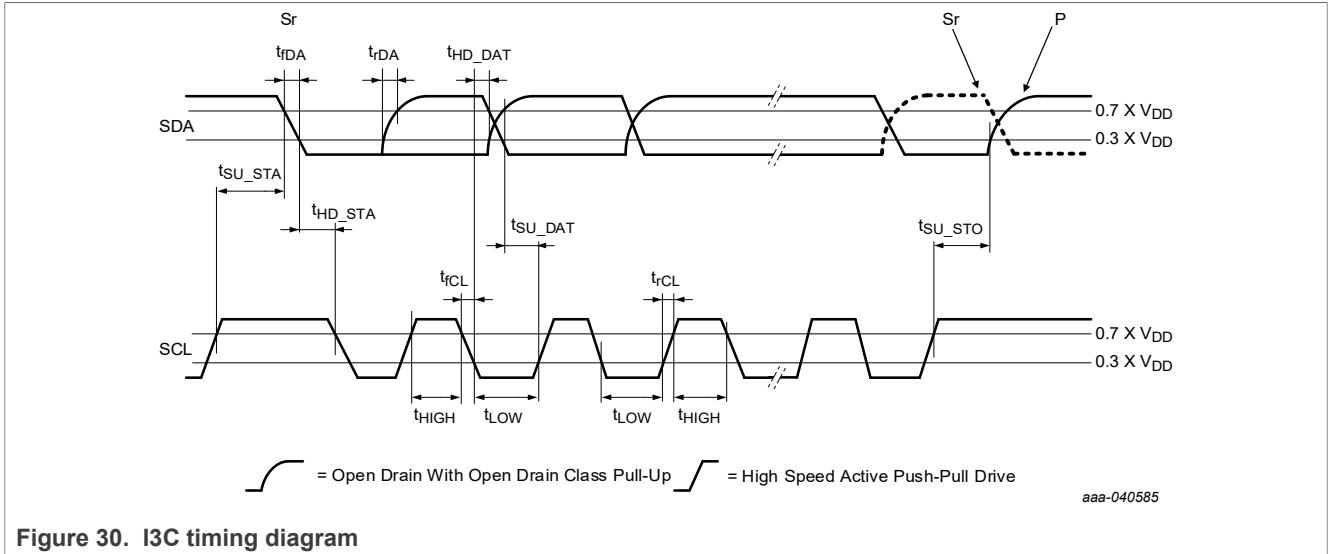


Figure 30. I3C timing diagram

13 Package outline

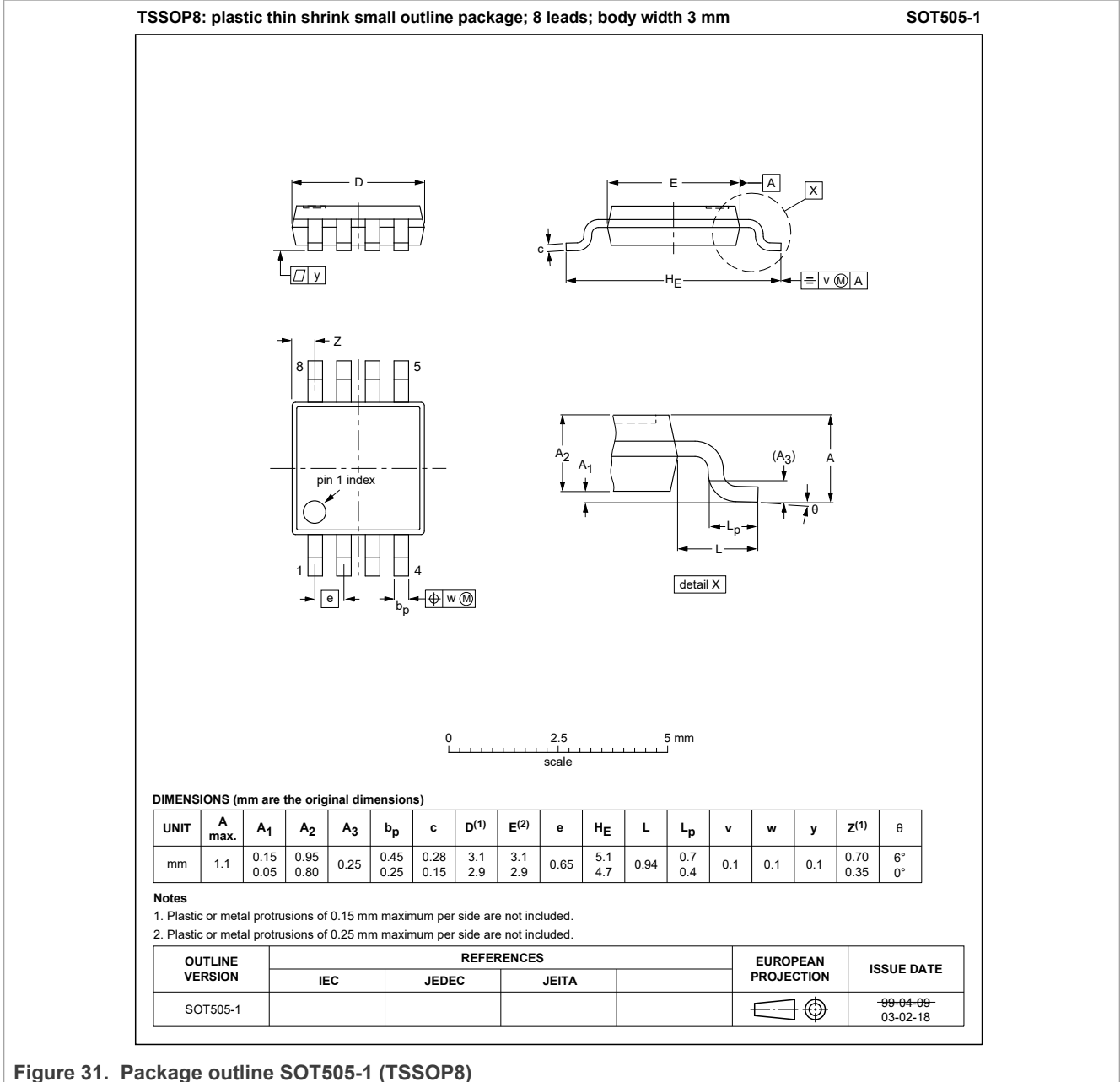


Figure 31. Package outline SOT505-1 (TSSOP8)

## 14 Soldering of SMD packages

This text provides a very brief insight into a complex technology. A more in-depth account of soldering ICs can be found in Application Note AN10365 “Surface mount reflow soldering description”.

### 14.1 Introduction to soldering

Soldering is one of the most common methods through which packages are attached to Printed Circuit Boards (PCBs), to form electrical circuits. The soldered joint provides both the mechanical and the electrical connection. There is no single soldering method that is ideal for all IC packages. Wave soldering is often preferred when through-hole and Surface Mount Devices (SMDs) are mixed on one printed wiring board; however, it is not suitable for fine pitch SMDs. Reflow soldering is ideal for the small pitches and high densities that come with increased miniaturization.

### 14.2 Wave and reflow soldering

Wave soldering is a joining technology in which the joints are made by solder coming from a standing wave of liquid solder. The wave soldering process is suitable for the following:

- Through-hole components
- Leaded or leadless SMDs, which are glued to the surface of the printed circuit board

Not all SMDs can be wave soldered. Packages with solder balls, and some leadless packages which have solder lands underneath the body, cannot be wave soldered. Also, leaded SMDs with leads having a pitch smaller than ~0.6 mm cannot be wave soldered, due to an increased probability of bridging.

The reflow soldering process involves applying solder paste to a board, followed by component placement and exposure to a temperature profile. Leaded packages, packages with solder balls, and leadless packages are all reflow solderable.

Key characteristics in both wave and reflow soldering are:

- Board specifications, including the board finish, solder masks and vias
- Package footprints, including solder thieves and orientation
- The moisture sensitivity level of the packages
- Package placement
- Inspection and repair
- Lead-free soldering versus SnPb soldering

### 14.3 Wave soldering

Key characteristics in wave soldering are:

- Process issues, such as application of adhesive and flux, clinching of leads, board transport, the solder wave parameters, and the time during which components are exposed to the wave
- Solder bath specifications, including temperature and impurities

### 14.4 Reflow soldering

Key characteristics in reflow soldering are:

- Lead-free versus SnPb soldering; note that a lead-free reflow process usually leads to higher minimum peak temperatures (see [Figure 32](#)) than a SnPb process, thus reducing the process window
- Solder paste printing issues including smearing, release, and adjusting the process window for a mix of large and small components on one board

- Reflow temperature profile; this profile includes preheat, reflow (in which the board is heated to the peak temperature) and cooling down. It is imperative that the peak temperature is high enough for the solder to make reliable solder joints (a solder paste characteristic). In addition, the peak temperature must be low enough that the packages and/or boards are not damaged. The peak temperature of the package depends on package thickness and volume and is classified in accordance with [Table 34](#) and [Table 35](#)

Table 34. SnPb eutectic process (from J-STD-020D)

Package thickness (mm)	Package reflow temperature (°C)	
	Volume (mm <sup>3</sup> )	
	< 350	≥ 350
< 2.5	235	220
≥ 2.5	220	220

Table 35. Lead-free process (from J-STD-020D)

Package thickness (mm)	Package reflow temperature (°C)		
	Volume (mm <sup>3</sup> )		
	< 350	350 to 2000	> 2000
< 1.6	260	260	260
1.6 to 2.5	260	250	245
> 2.5	250	245	245

Moisture sensitivity precautions, as indicated on the packing, must be respected at all times.

Studies have shown that small packages reach higher temperatures during reflow soldering, see [Figure 32](#).

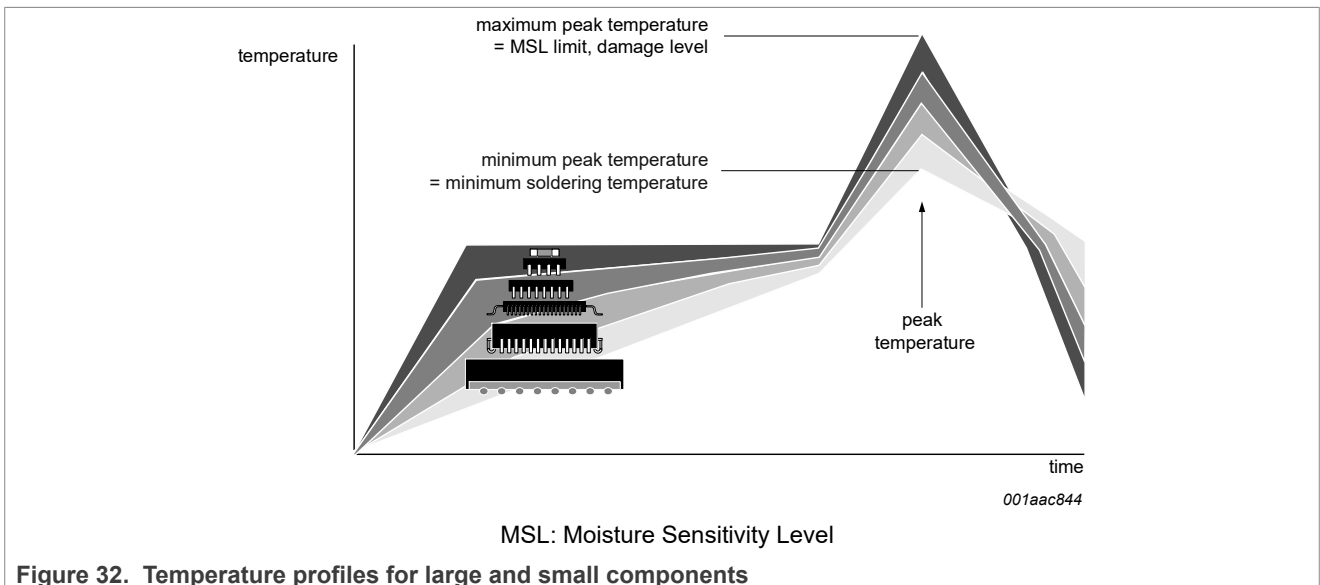


Figure 32. Temperature profiles for large and small components

For further information on temperature profiles, refer to Application Note AN10365 “Surface mount reflow soldering description”.



Table 37. Revision history...continued

Document ID	Release date	Description
		<ul style="list-style-type: none"><li>• <a href="#">Section 7.4.5.1</a>: Removed "..., or to signify a Hot-Join event (ENHJ/DISHJ)"</li></ul>
P3T1755 v.1.1	4 January 2023	<ul style="list-style-type: none"><li>• Corrected orderable part number and packing method, CIN 202212022I</li></ul>
P3T1755 v.1.0	13 December 2022	<ul style="list-style-type: none"><li>• Initial version</li></ul>

## Legal information

### Data sheet status

Document status <sup>[1][2]</sup>	Product status <sup>[3]</sup>	Definition
Objective [short] data sheet	Development	This document contains data from the objective specification for product development.
Preliminary [short] data sheet	Qualification	This document contains data from the preliminary specification.
Product [short] data sheet	Production	This document contains the product specification.

[1] Please consult the most recently issued document before initiating or completing a design.

[2] The term 'short data sheet' is explained in section "Definitions".

[3] The product status of device(s) described in this document may have changed since this document was published and may differ in case of multiple devices. The latest product status information is available on the Internet at URL <https://www.nxp.com>.

### Definitions

**Draft** — A draft status on a document indicates that the content is still under internal review and subject to formal approval, which may result in modifications or additions. NXP Semiconductors does not give any representations or warranties as to the accuracy or completeness of information included in a draft version of a document and shall have no liability for the consequences of use of such information.

**Short data sheet** — A short data sheet is an extract from a full data sheet with the same product type number(s) and title. A short data sheet is intended for quick reference only and should not be relied upon to contain detailed and full information. For detailed and full information see the relevant full data sheet, which is available on request via the local NXP Semiconductors sales office. In case of any inconsistency or conflict with the short data sheet, the full data sheet shall prevail.

**Product specification** — The information and data provided in a Product data sheet shall define the specification of the product as agreed between NXP Semiconductors and its customer, unless NXP Semiconductors and customer have explicitly agreed otherwise in writing. In no event however, shall an agreement be valid in which the NXP Semiconductors product is deemed to offer functions and qualities beyond those described in the Product data sheet.

### Disclaimers

**Limited warranty and liability** — Information in this document is believed to be accurate and reliable. However, NXP Semiconductors does not give any representations or warranties, expressed or implied, as to the accuracy or completeness of such information and shall have no liability for the consequences of use of such information. NXP Semiconductors takes no responsibility for the content in this document if provided by an information source outside of NXP Semiconductors.

In no event shall NXP Semiconductors be liable for any indirect, incidental, punitive, special or consequential damages (including - without limitation - lost profits, lost savings, business interruption, costs related to the removal or replacement of any products or rework charges) whether or not such damages are based on tort (including negligence), warranty, breach of contract or any other legal theory.

Notwithstanding any damages that customer might incur for any reason whatsoever, NXP Semiconductors' aggregate and cumulative liability towards customer for the products described herein shall be limited in accordance with the Terms and conditions of commercial sale of NXP Semiconductors.

**Right to make changes** — NXP Semiconductors reserves the right to make changes to information published in this document, including without limitation specifications and product descriptions, at any time and without notice. This document supersedes and replaces all information supplied prior to the publication hereof.

**Suitability for use** — NXP Semiconductors products are not designed, authorized or warranted to be suitable for use in life support, life-critical or safety-critical systems or equipment, nor in applications where failure or malfunction of an NXP Semiconductors product can reasonably be expected to result in personal injury, death or severe property or environmental damage. NXP Semiconductors and its suppliers accept no liability for inclusion and/or use of NXP Semiconductors products in such equipment or applications and therefore such inclusion and/or use is at the customer's own risk.

**Applications** — Applications that are described herein for any of these products are for illustrative purposes only. NXP Semiconductors makes no representation or warranty that such applications will be suitable for the specified use without further testing or modification.

Customers are responsible for the design and operation of their applications and products using NXP Semiconductors products, and NXP Semiconductors accepts no liability for any assistance with applications or customer product design. It is customer's sole responsibility to determine whether the NXP Semiconductors product is suitable and fit for the customer's applications and products planned, as well as for the planned application and use of customer's third party customer(s). Customers should provide appropriate design and operating safeguards to minimize the risks associated with their applications and products.

NXP Semiconductors does not accept any liability related to any default, damage, costs or problem which is based on any weakness or default in the customer's applications or products, or the application or use by customer's third party customer(s). Customer is responsible for doing all necessary testing for the customer's applications and products using NXP Semiconductors products in order to avoid a default of the applications and the products or of the application or use by customer's third party customer(s). NXP does not accept any liability in this respect.

**Limiting values** — Stress above one or more limiting values (as defined in the Absolute Maximum Ratings System of IEC 60134) will cause permanent damage to the device. Limiting values are stress ratings only and (proper) operation of the device at these or any other conditions above those given in the Recommended operating conditions section (if present) or the Characteristics sections of this document is not warranted. Constant or repeated exposure to limiting values will permanently and irreversibly affect the quality and reliability of the device.

**Terms and conditions of commercial sale** — NXP Semiconductors products are sold subject to the general terms and conditions of commercial sale, as published at <https://www.nxp.com/profile/terms>, unless otherwise agreed in a valid written individual agreement. In case an individual agreement is concluded only the terms and conditions of the respective agreement shall apply. NXP Semiconductors hereby expressly objects to applying the customer's general terms and conditions with regard to the purchase of NXP Semiconductors products by customer.

**No offer to sell or license** — Nothing in this document may be interpreted or construed as an offer to sell products that is open for acceptance or the grant, conveyance or implication of any license under any copyrights, patents or other industrial or intellectual property rights.



**Quick reference data** — The Quick reference data is an extract of the product data given in the Limiting values and Characteristics sections of this document, and as such is not complete, exhaustive or legally binding.

**Export control** — This document as well as the item(s) described herein may be subject to export control regulations. Export might require a prior authorization from competent authorities.

**Suitability for use in non-automotive qualified products** — Unless this document expressly states that this specific NXP Semiconductors product is automotive qualified, the product is not suitable for automotive use. It is neither qualified nor tested in accordance with automotive testing or application requirements. NXP Semiconductors accepts no liability for inclusion and/or use of non-automotive qualified products in automotive equipment or applications.

In the event that customer uses the product for design-in and use in automotive applications to automotive specifications and standards, customer (a) shall use the product without NXP Semiconductors' warranty of the product for such automotive applications, use and specifications, and (b) whenever customer uses the product for automotive applications beyond NXP Semiconductors' specifications such use shall be solely at customer's own risk, and (c) customer fully indemnifies NXP Semiconductors for any liability, damages or failed product claims resulting from customer design and use of the product for automotive applications beyond NXP Semiconductors' standard warranty and NXP Semiconductors' product specifications.

**HTML publications** — An HTML version, if available, of this document is provided as a courtesy. Definitive information is contained in the applicable document in PDF format. If there is a discrepancy between the HTML document and the PDF document, the PDF document has priority.

**Translations** — A non-English (translated) version of a document, including the legal information in that document, is for reference only. The English version shall prevail in case of any discrepancy between the translated and English versions.

**Security** — Customer understands that all NXP products may be subject to unidentified vulnerabilities or may support established security standards or specifications with known limitations. Customer is responsible for the design and operation of its applications and products throughout their lifecycles to reduce the effect of these vulnerabilities on customer's applications and products. Customer's responsibility also extends to other open and/or proprietary technologies supported by NXP products for use in customer's applications. NXP accepts no liability for any vulnerability. Customer should regularly check security updates from NXP and follow up appropriately.

Customer shall select products with security features that best meet rules, regulations, and standards of the intended application and make the ultimate design decisions regarding its products and is solely responsible for compliance with all legal, regulatory, and security related requirements concerning its products, regardless of any information or support that may be provided by NXP.

NXP has a Product Security Incident Response Team (PSIRT) (reachable at [PSIRT@nxp.com](mailto:PSIRT@nxp.com)) that manages the investigation, reporting, and solution release to security vulnerabilities of NXP products.

**NXP B.V.** — NXP B.V. is not an operating company and it does not distribute or sell products.

## Trademarks

Notice: All referenced brands, product names, service names, and trademarks are the property of their respective owners.

**NXP** — wordmark and logo are trademarks of NXP B.V.

**I2C-bus** — logo is a trademark of NXP B.V.

Tables

Tab. 1.	Ordering Information	2	Tab. 18.	Temp register value	17
Tab. 2.	Ordering options	2	Tab. 19.	Configuration register	18
Tab. 3.	TSSOP 8 pin description	3	Tab. 20.	Fault settings	19
Tab. 4.	P3T1755 I2C target address table	5	Tab. 21.	Conversion time	19
Tab. 5.	I3C Provisional-ID composition	9	Tab. 22.	Byte 1 of the THIGH register	20
Tab. 6.	I3C Provisional-ID BITS[11:0] vs I2C Address	9	Tab. 23.	Byte 2 of the THIGH Register	20
Tab. 7.	Bus Characterization Register (BCR)	10	Tab. 24.	Byte 1 of the TLOW Register	20
Tab. 8.	Device Characterization Register (DCR)	10	Tab. 25.	Byte 2 of the TLOW Register	21
Tab. 9.	Bus Characterization Register (BCR)	11	Tab. 26.	Limiting values	25
Tab. 10.	Enable Target Events Command Byte Format	12	Tab. 27.	P3T1755 (TSSOP8) thermal characteristics	26
Tab. 11.	Disable Target Events Command Byte Format	12	Tab. 28.	Recommended operating characteristics	26
Tab. 12.	GETSTATUS MSB-LSB Format	15	Tab. 29.	Static characteristics	26
Tab. 13.	Register table	16	Tab. 30.	I2C-bus interface dynamic characteristics	30
Tab. 14.	Pointer register	16	Tab. 31.	I3C-bus interface dynamic characteristics	30
Tab. 15.	Pointer addresses	16	Tab. 32.	I3C-bus interface dynamic characteristics	31
Tab. 16.	Temperature register - Byte 1	17	Tab. 33.	I3C-bus interface dynamic characteristics	32
Tab. 17.	Temperature register - Byte 2	17	Tab. 34.	SnPb eutectic process (from J-STD-020D)	37
			Tab. 35.	Lead-free process (from J-STD-020D)	37
			Tab. 36.	Abbreviations	38
			Tab. 37.	Revision history	38

Figures

Fig. 1.	Block diagram	3	Fig. 20.	Read register with preset pointer (2-byte data)	23
Fig. 2.	TSSOP8 pin configuration	3	Fig. 21.	I3C typical application	24
Fig. 3.	Dynamic address assignment flowchart	8	Fig. 22.	I2C typical application	24
Fig. 4.	ENEC/DISEC Format 1: Direct	11	Fig. 23.	Supply current versus temperature (bus inactive, one conversion per second)	28
Fig. 5.	ENEC/DISEC Format 2: Broadcast	12	Fig. 24.	Shutdown current versus temperature	28
Fig. 6.	RSTDAA format	12	Fig. 25.	Supply current versus conversion time and temperature (VCC = 1.8 V, bus inactive)	28
Fig. 7.	ENTDAA format	13	Fig. 26.	One-shot conversion time vs temperature	29
Fig. 8.	SETDASA format	13	Fig. 27.	HIGH-level input current versus temperature; digital pins (VCC = 1.4 V to 3.6 V)	29
Fig. 9.	SETNEWDA format	13	Fig. 28.	Accuracy vs temperature (VCC = 1.4 V to 3.6 V)	29
Fig. 10.	GETPID format	14	Fig. 29.	Timing diagram	30
Fig. 11.	GETBCR format	14	Fig. 30.	I3C timing diagram	34
Fig. 12.	GETDCR format	15	Fig. 31.	Package outline SOT505-1 (TSSOP8)	35
Fig. 13.	GETSTATUS format	15	Fig. 32.	Temperature profiles for large and small components	37
Fig. 14.	ALERT pin and POL diagram	19	Fig. 33.	Reflow soldering footprint SOT505-1 (TSSOP8)	38
Fig. 15.	Write configuration register (1-byte data)	21			
Fig. 16.	Read configuration register including pointer byte (1-byte data)	22			
Fig. 17.	Read configuration or temp register with preset pointer (1-byte data)	22			
Fig. 18.	Write register (2-byte data)	22			
Fig. 19.	Read register including pointer byte (2-byte data)	23			

## Contents

<b>1</b>	<b>General description</b> .....	<b>1</b>	<b>8</b>	<b>Application design-in information</b> .....	<b>24</b>
<b>2</b>	<b>Features and benefits</b> .....	<b>1</b>	8.1	Typical application .....	24
<b>3</b>	<b>Applications</b> .....	<b>2</b>	8.2	Temperature accuracy .....	24
<b>4</b>	<b>Ordering information</b> .....	<b>2</b>	8.3	Noise effect .....	25
4.1	Ordering options .....	2	8.4	POR and I3C Communication .....	25
<b>5</b>	<b>Block diagram</b> .....	<b>3</b>	<b>9</b>	<b>Limiting values</b> .....	<b>25</b>
<b>6</b>	<b>Pinning information</b> .....	<b>3</b>	9.1	Thermal characteristics .....	26
6.1	Pinning .....	3	<b>10</b>	<b>Recommended operating conditions</b> .....	<b>26</b>
6.2	Pinning description .....	3	<b>11</b>	<b>Static characteristics</b> .....	<b>26</b>
<b>7</b>	<b>Functional description</b> .....	<b>5</b>	<b>12</b>	<b>Dynamic characteristics</b> .....	<b>30</b>
7.1	General operation .....	5	<b>13</b>	<b>Package outline</b> .....	<b>35</b>
7.2	I2C-bus serial interface .....	5	<b>14</b>	<b>Soldering of SMD packages</b> .....	<b>36</b>
7.3	Target and mode description .....	5	14.1	Introduction to soldering .....	
7.3.1	Target address .....	5	14.2	Wave and reflow soldering .....	
7.3.2	Alert function : I2C only .....	6	14.3	Wave soldering .....	
7.3.3	General call .....	7	14.4	Reflow soldering .....	
7.3.4	High-speed (Hs) mode .....	7	<b>15</b>	<b>Soldering: PCB footprints</b> .....	<b>38</b>
7.3.5	Timeout function .....	7	<b>16</b>	<b>Abbreviations</b> .....	<b>38</b>
7.4	I3C-bus serial interface .....	7	<b>17</b>	<b>Revision history</b> .....	<b>38</b>
7.4.1	Dynamic address assigning flow .....	8		<b>Legal information</b> .....	<b>40</b>
7.4.2	I3C provisional-ID .....	8			
7.4.3	BCR and DCR .....	10			
7.4.4	I3C Common Command Codes (CCC) .....	10			
7.4.5	Examples of CCC protocol .....	11			
7.4.5.1	ENEC/DISEC (Enable/Disable Target Events Command) .....	11			
7.4.5.2	RSTDAA (Reset Dynamic Address Assignment) .....	12			
7.4.5.3	ENTDAA (Enter Dynamic Address Assignment) .....	12			
7.4.5.4	SETDASA (Set Dynamic Address from Static Address) .....	13			
7.4.5.5	SETNEWDA (Set New Dynamic Address) .....	13			
7.4.5.6	GETPID (Get Provisioned ID) .....	14			
7.4.5.7	GETBCR (Get Bus Characteristics Register) .....	14			
7.4.5.8	GETDCR (Get Device Characteristics Register) .....	14			
7.4.5.9	GETSTATUS (Get Device Status) .....	15			
7.4.5.10	In-Band-Interrupt (IBI) .....	15			
7.5	Register list .....	16			
7.5.1	Pointer register .....	16			
7.5.2	Temperature register .....	17			
7.5.3	Configuration register .....	18			
7.5.4	Shutdown Mode (SD) .....	18			
7.5.5	Thermostat Mode (TM) .....	18			
7.5.6	Polarity (POL) .....	18			
7.5.7	Fault Queue (F1/F0) .....	19			
7.5.8	Conversion time (R1 and R0) .....	19			
7.5.9	One-Shot (OS) .....	20			
7.5.10	High- and low-limit registers .....	20			
7.6	Protocols for writing and reading the registers .....	21			

Please be aware that important notices concerning this document and the product(s) described herein, have been included in section 'Legal information'.