

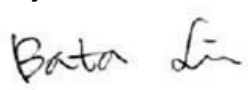
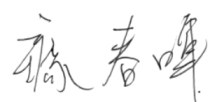


Model Name: P430QVN01.0

Issue Date: 2016/05/4

(*) Preliminary Specifications

() Final Specifications

| Customer Signature | Date | AUO | Date |
|--------------------|------|--|------|
| Approved By | | Approval By PM Director Kelly Kao  | |
| Note | | Reviewed By RD Director Eugene CC Chen  | |
| | | Reviewed By Project Leader Bata Lin  | |
| | | Prepared By PM Bryan Chu  | |

Contents

| | |
|---|----|
| 1. General Description | 4 |
| 1.1. Display Characteristics | 4 |
| 1.2. Optical Characteristics | 5 |
| 1.3. Mechanical Characteristics | 8 |
| 1.3.1. Placement Suggestions | 8 |
| 2. Absolute Maximum Ratings | 12 |
| 3. Electrical Specification | 13 |
| 3.1. Electrical Characteristics | 13 |
| 3.1.1. DC Characteristics ($T_a = 25 \pm 2 \text{ }^\circ\text{C}$) | 13 |
| 3.1.2. AC Characteristics ($T_a = 25 \pm 2 \text{ }^\circ\text{C}$) | 14 |
| 3.1.3. Driver Characteristics | 14 |
| 3.1.4. TCON Characteristics | 14 |
| 3.2. Interface Connections | 18 |
| 3.3. Signal Timing Specification | 21 |
| 3.4. Color Input Data Reference | 22 |
| 3.5. Power Sequence for LCD | 23 |
| 3.6. Backlight Specification | 24 |
| 3.6.1. Electrical specification ($T_a = 25 \pm 2 \text{ }^\circ\text{C}$) | 24 |
| 3.6.2. Input Pin Assignment | 25 |
| 3.6.3. Power Sequence for Backlight | 26 |
| 3.6.4. LED Operating Life Time | 27 |
| 4. Reliability Test Items | 28 |
| 5. International Standard | 29 |
| 5.1. Safety | 29 |
| 5.2. EMC | 29 |
| 6. Packing | 30 |
| 6.1. Definition of Label | 30 |
| 6.2. Packing Methods | 31 |
| 6.3. Pallet and Shipment Information | 32 |
| 7. Precautions | 33 |
| 7.1. Mounting Precautions | 33 |
| 7.2. Operating Precautions | 33 |
| 7.3. Operating Condition for Public Information Display | 34 |
| 7.4. Electrostatic Discharge Control | 34 |
| 7.5. Precautions for Strong Light Exposure | 34 |
| 7.6. Storage | 34 |
| 7.7. Handling Precautions for Protection Film | 35 |

1. General Description

This specification applies to the 43 inch Color TFT-LCD Module **P430QVN01.0**. This LCD module has a TFT active matrix type liquid crystal panel **3840x2160** pixels, and diagonal size of 42.5 inch. This module supports **3840x2160** mode. Each pixel is divided into Red, Green and Blue sub-pixels or dots which are arranged in vertical stripes. Gray scale or the brightness of the sub-pixel color is determined with 10-bits gray scale signal for each dot.

The **P430QVN01.0** has been designed to apply the 2 channel V-By-1 interface method. It is intended to support displays where high brightness, wide viewing angle.

* General Information

1.1. Display Characteristics

| Items | Specification | Unit | Note |
|------------------------|-------------------------------|--------|----------------------------|
| Active Screen Size | 42.5 | inch | |
| Display Area | 941.184 (H) x 529.416 (V) | mm | |
| Outline Dimension | 963.7(H) x 552.0(V) x 25.2(D) | mm | D: front bezel to DB cover |
| Driver Element | a-Si TFT active matrix | | |
| Bezel Opening | 954.8(H) x 543.1(V) | mm | |
| Display Colors | 16.7M | Colors | |
| Number of Pixels | 3,840x2,160 | Pixel | |
| Pixel Pitch | 0.2451 (H) x 0.2451 (W) | mm | |
| Pixel Arrangement | RGB vertical stripe | | |
| Display Operation Mode | Normally Black | | |
| Surface Treatment | Anti-Glare, 3H | | Haze=44% |
| Rotate Function | Unachievable | | Note 1 |
| Display Orientation | Portrait/Landscape Enabled | | Note 2 |

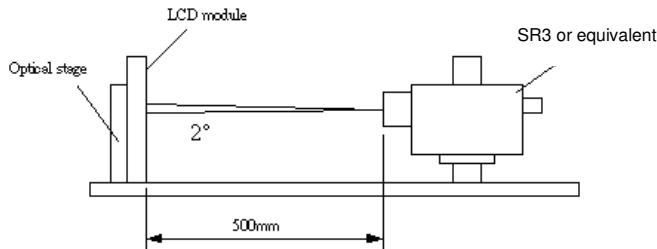
Note 1: Rotate Function refers to LCD display could be able to rotate. This function does not work in this model.

Note 2: Please refer to 5.1 Placement Suggestions.

1.2. Optical Characteristics

Optical characteristics are determined on the back-light of measured unit is 'ON' and stabilized after 45-60 minutes in a dark environment at 25°C. The values are specified at 50cm distance from the LCD surface at a viewing angle of ϕ and θ equal to 0°.

Fig.1 presents additional information concerning the measurement equipment and method.



| Parameter | Symbol | Values | | | Unit | Notes |
|---------------------------|-----------------------------------|----------------|-----------|------------|-------------------|--------|
| | | Min. | Typ. | Max | | |
| Contrast Ratio | CR | 2400 | 3000 | -- | | 1 |
| Surface Luminance (White) | $L_{WH}(2D)$ | 400 | 500 | -- | cd/m ² | 2 |
| Luminance Variation | $\delta_{WHITE(9P)}$ | -- | -- | 1.33 | | 3 |
| Response Time (G to G) | T _γ | -- | 8 | 10 | ms | 4 |
| Color Gamut | NTSC | | 72 | | % | |
| Color Coordinates | | | | | | |
| | Red | R _x | Typ.-0.03 | 0.650(TBD) | Typ.+0.03 | |
| | | R _y | | 0.336(TBD) | | |
| | Green | G _x | | 0.310(TBD) | | |
| | | G _y | | 0.611(TBD) | | |
| | Blue | B _x | | 0.150(TBD) | | |
| | | B _y | | 0.067(TBD) | | |
| | White | W _x | | 0.28 | | |
| | | W _y | | 0.29 | | |
| Viewing Angle | | | | | | |
| | x axis, right($\phi=0^\circ$) | θ_r | -- | 89 | -- | degree |
| | x axis, left($\phi=180^\circ$) | θ_l | -- | 89 | -- | degree |
| | y axis, up($\phi=90^\circ$) | θ_u | -- | 89 | -- | degree |
| | y axis, down ($\phi=270^\circ$) | θ_d | -- | 89 | -- | degree |

Note:

1. Contrast Ratio (CR) is defined mathematically as:

$$\text{Contrast Ratio} = \frac{\text{Surface Luminance of } L_{on5}}{\text{Surface Luminance of } L_{off5}}$$

- Surface luminance is luminance value at point 5 across the LCD surface 50cm from the surface with all pixels displaying white. From more information see FIG 2. LED current I_F = typical value (without driver board), LED input $V_{DDB} = 24V$, I_{DDB} = Typical value (with driver board), $L_{WH} = L_{on5}$ where L_{on5} is the luminance with all pixels displaying white at center 5 location.
- The variation in surface luminance, δ_{WHITE} is defined (center of Screen) as:

$$\delta_{WHITE(9P)} = \frac{\text{Maximum}(L_{on1}, L_{on2}, \dots, L_{on9})}{\text{Minimum}(L_{on1}, L_{on2}, \dots, L_{on9})}$$
- Response time T_γ is the average time required for display transition by switching the input signal for five luminance ratio (0%, 25%, 50%, 75%, 100% brightness matrix) and is based on $F_v = 60\text{Hz}$ to optimize.

| Measured Response Time | | Target | | | | |
|------------------------|------|------------|-------------|-------------|-------------|-------------|
| | | 0% | 25% | 50% | 75% | 100% |
| Start | 0% | | 0% to 25% | 0% to 50% | 0% to 75% | 0% to 100% |
| | 25% | 25% to 0% | | 25% to 50% | 25% to 75% | 25% to 100% |
| | 50% | 50% to 0% | 50% to 25% | | 50% to 75% | 50% to 100% |
| | 75% | 75% to 0% | 75% to 25% | 75% to 50% | | 75% to 100% |
| | 100% | 100% to 0% | 100% to 25% | 100% to 50% | 100% to 75% | |

T_γ is determined by 10% to 90% brightness difference of rising or falling period. (As illustrated)
 The response time is defined as the following figure and shall be measured by switching the input signal for "any level of gray(bright)" and "any level of gray(dark)".

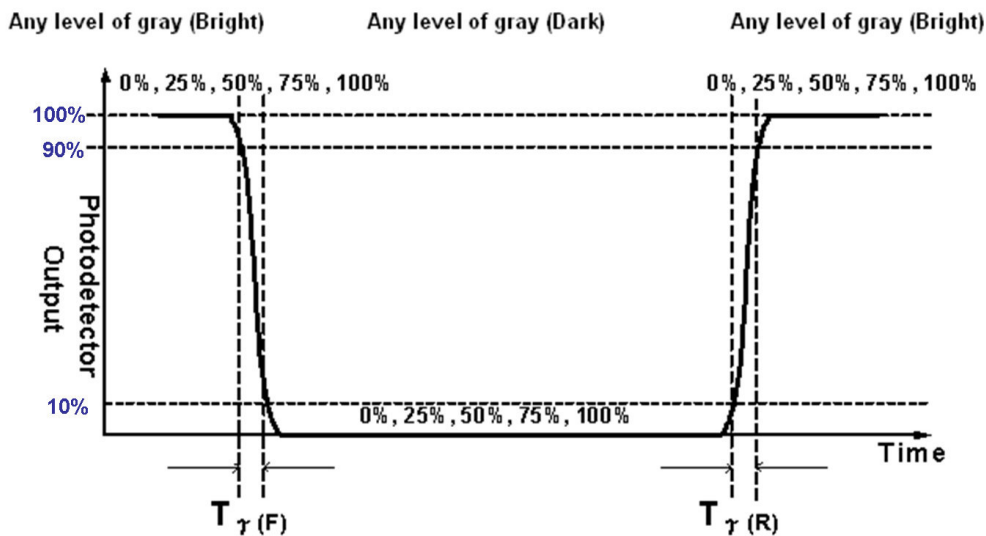
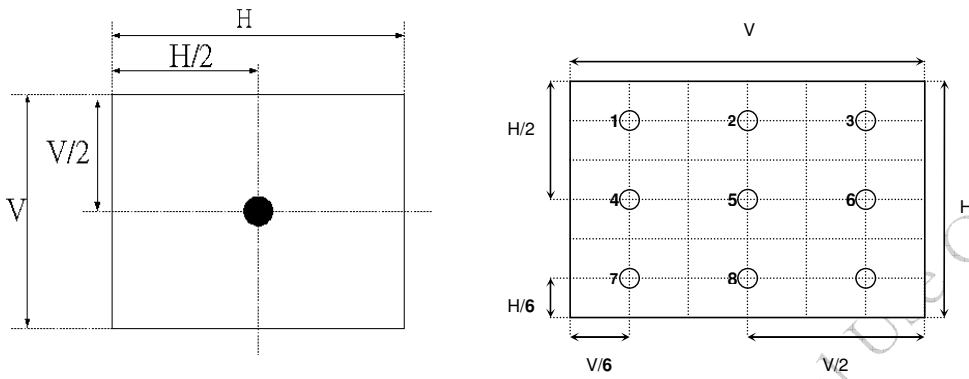
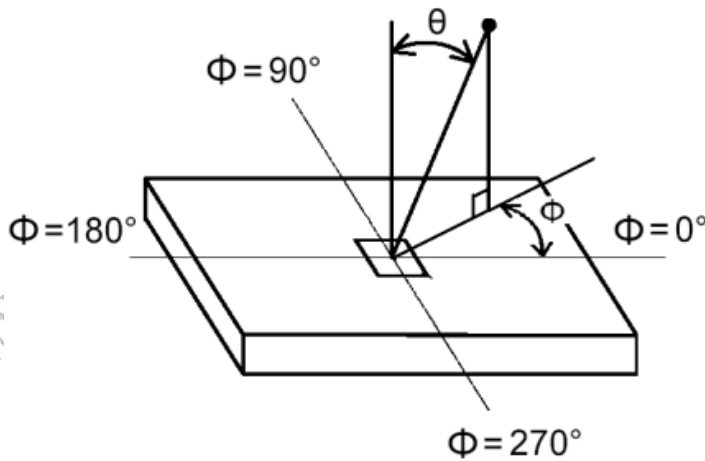


FIG. 2 Luminance



5. Viewing angle is the angle at which the contrast ratio is greater than 10. The angles are determined for the horizontal or x axis and the vertical or y axis with respect to the z axis which is normal to the LCD surface. For more information see FIG3.

FIG.3 Viewing Angle



1.3. Mechanical Characteristics

The contents provide general mechanical characteristics for the model P320HVN03.0 In addition the figures in the next page are detailed mechanical drawing of the LCD.

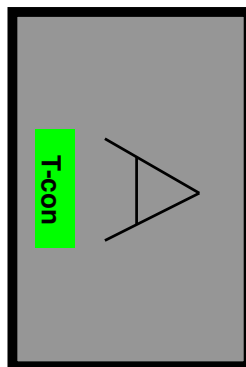
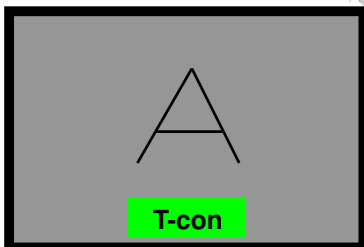
| Item | | Dimension | Unit | Note |
|-------------------|--------------|-----------|------|---------------------------|
| Outline Dimension | Horizontal | 963.7 | mm | |
| | Vertical | 552.0 | mm | |
| | Depth (Dmin) | 17.4(TBD) | mm | front bezel to back bezel |
| | Depth (Dmax) | 25.2(TBD) | mm | to DB cover |
| Weight | 9000(TBD) | | G | w/ DB |

1.3.1. Placement Suggestions

1. Landscape Mode: The default placement is T-Con Side on the lower side and the image is shown upright via viewing from the front.
2. Portrait Mode: The default placement is that T-Con side has to be placed on the left side via viewing from the front.

Landscape (Front view)

Portrait (Front view)



Front View

AUO Confidential For Data-Modul Internal Use Only

Back View 1

AUO Confidential For Data-Modul Internal Use Only

Back View 2

AUO Confidential For Data-Modul Internal Use Only

2. Absolute Maximum Ratings

The followings are maximum values which, if exceeded, may cause faulty operation or damage to the unit

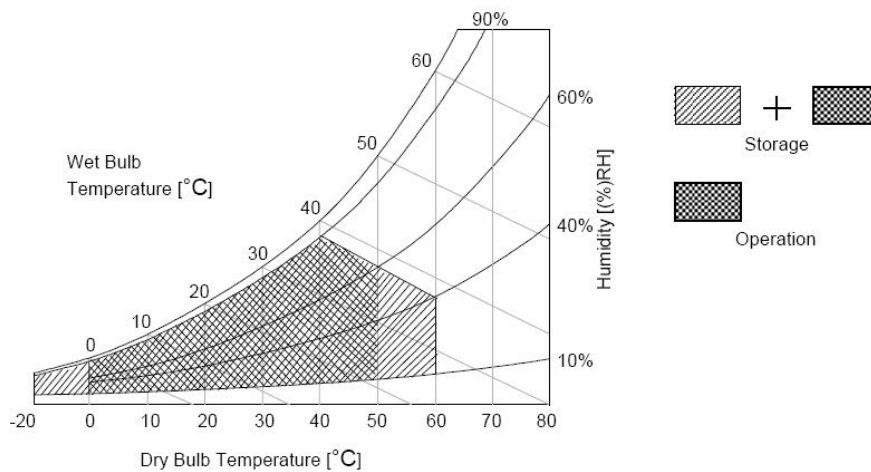
| Item | Symbol | Min | Max | Unit | Conditions |
|---------------------------|--------|------|-----|--------|------------|
| Logic/LCD Drive Voltage | Vcc | -0.3 | 14 | [Volt] | Note 1 |
| Input Voltage of Signal | Vin | -0.3 | 4 | [Volt] | Note 1 |
| Operating Temperature | TOP | 0 | +50 | [°C] | Note 2 |
| Operating Humidity | HOP | 10 | 90 | [%RH] | Note 2 |
| Storage Temperature | TST | -20 | +60 | [°C] | Note 2 |
| Storage Humidity | HST | 10 | 90 | [%RH] | Note 2 |
| Panel Surface Temperature | PST | | 70 | [°C] | Note 3 |

Note 1: Duration:50 msec.

Note 2 : Maximum Wet-Bulb should be 39°C and No condensation.

The relative humidity must not exceed 90% non-condensing at temperatures of 40°C or less. At temperatures greater than 40°C, the wet bulb temperature must not exceed 39°C.

Note 3: Surface temperature is measured at 50°C Dry condition



3. Electrical Specification

The P320HVN03.0 requires two power inputs. One is employed to power the LCD electronics and to drive the TFT array and liquid crystal. The other is to power Back Light Unit.

3.1. Electrical Characteristics

3.1.1. DC Characteristics (Ta = 25 ± 2 °C)

| Parameter | | Symbol | Value | | | Unit | Note |
|--|---------------------------------------|---------------------------|-------|------|----------------------|---------------------|------|
| | | | Min. | Typ. | Max | | |
| LCD | | | | | | | |
| Power Supply Input Voltage | | V _{DD} | 10.8 | 12 | 13.2 | V _{DC} | |
| Power Supply Input Current | | I _{DD} | -- | 0.85 | 1.9 | A | 1 |
| Power Consumption | | P _C | -- | 10.2 | 22.8 | Watt | 1 |
| Inrush Current | | I _{RUSH} | -- | -- | 5 | A | 2 |
| Permissible Ripple of Power Supply Input Voltage | | V _{RP} | -- | -- | V _{DD} * 5% | mV _{pk-pk} | 3 |
| CMOS Interface | Input High Threshold Voltage | V _{IH} (High) | 2.7 | -- | 3.3 | V _{DC} | 4 |
| | Input Low Threshold Voltage | V _{IL} (Low) | 0 | -- | 0.6 | V _{DC} | 4 |
| V-by-one Interface | CML Differential Input High Threshold | VRTH | +50 | -- | -- | mVDC | |
| | CML Differential Input Low Threshold | VRTL | -- | -- | -50 | mVDC | |
| | CML Common mode Bias Voltage | VRCT | 0.8 | 0.9 | 1.0 | mVDC | |

3.1.2. AC Characteristics (Ta = 25 ± 2 °C)

| Parameter | | Symbol | Value | | | Unit | Note |
|--------------------|---|---------------------------|---------------|-------|---------------|------|------------|
| | | | Min. | Typ. | Max | | |
| V-by-one Interface | VRXINP/N input each bit Period | T _{RRIP} (UI) | 413 | -- | 505 | ps | 8bit 5 |
| | | | 310 | -- | 379 | ps | 10bit 5 |
| | Receiver Clock : Spread Spectrum Modulation range | Fclk _{ss} | Fclk -0.5% | -- | Fclk +0.5% | MHz | 8 |
| | Receiver Clock : Spread Spectrum Modulation frequency | Fss | 30 | | | KHz | 8 |
| | ALN Training | T _{RALN} | -- | 30720 | -- | UI | 8bit 5 |
| | | | -- | 40960 | -- | UI | 10bit 5 |
| | PDX active to hot plug enable | T _{RHPDO} | -- | -- | 1.0 | us | 5 |
| | Intra-pair skew | T _{INTRA} | -- | -- | 0.3 | UI | 6 |
| | Inter-pair skew | T _{INTER} | -- | -- | 5 | UI | 7 |
| | Eye diagram at receiver | A_X | -- | 0.25 | -- | UI | 8 |
| | | A_Y | -- | 0 | -- | mV | |
| | | B_X | -- | 0.3 | -- | UI | |
| | | B_Y | -- | 50 | -- | mV | |
| | | C_X | -- | 0.7 | -- | UI | |
| C_Y | | -- | 50 | -- | mV | | |
| D_X | | -- | 0.75 | -- | UI | | |
| D_Y | | -- | 0 | -- | mV | | |
| E_X | | -- | 0.7 | -- | UI | | |
| E_Y | | -- | -50 | -- | mV | | |
| F_X | -- | 0.3 | -- | UI | | | |
| F_Y | -- | -50 | -- | mV | | | |

3.1.3. Driver Characteristics

| Item | Symbol | Min | Max | Unit | condition |
|----------------------------|--------|-----|-----|------|-----------|
| Driver Surface Temperature | DST | | 100 | [°C] | Note |

Note : Any point on the driver surface must be less than 100°C under any conditions.

3.1.4. TCON Characteristics

| Item | Symbol | Min | Max | Unit | condition |
|--------------------------|--------|-----|-----|------|-----------|
| TCON Surface Temperature | TST | | 85 | [°C] | Note |

Note: Any point on the TCON surface must be less than 85°C under any conditions.

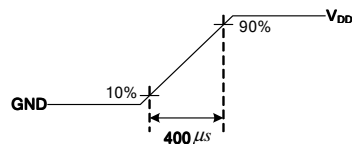
Note:

1. Test Condition:

- (1) $V_{DD} = 12.0V$
 - (2) $F_v = 60Hz$
 - (3) $F_{clk} = \text{Max freq.}$
 - (4) Temperature = 25 °C
 - (5) Typ. Input current : White Pattern
- Max. Input current: Heavy loading pattern defined by AUO

>> refer to "Section:3.3 Signal Timing Specification, Typical timing"

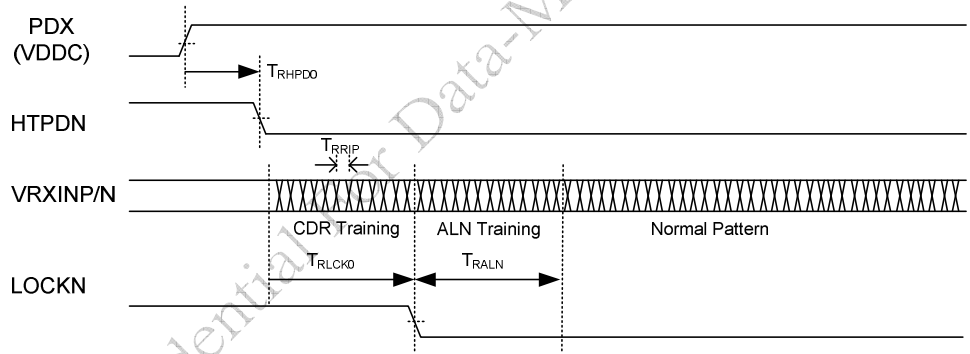
2. Measurement condition : Rising time = 400us



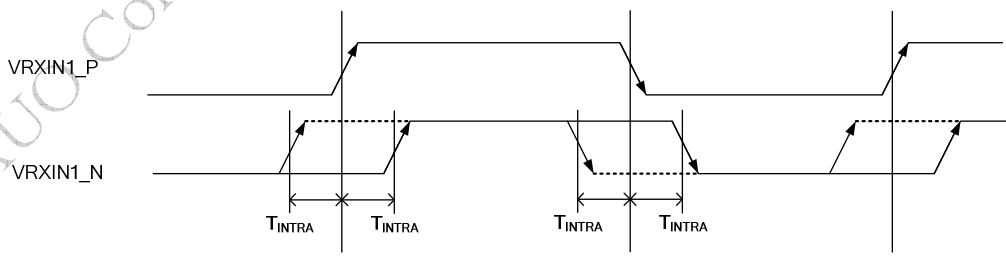
3. Test Condition:

- (1) The measure point of V_{RP} is in LCM side after connecting the System Board and LCM.
 - (2) Under Max. Input current spec. condition.
4. The measure points of V_{IH} and V_{IL} are in LCM side after connecting the System Board and LCM

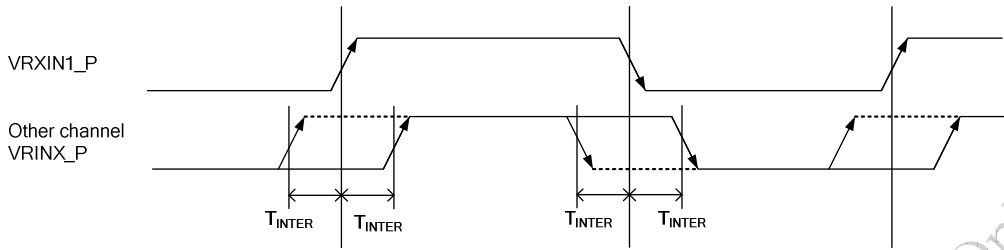
5. V-by-one Receiver start up timing waveform



6. V-by-one Intra-pair Skew

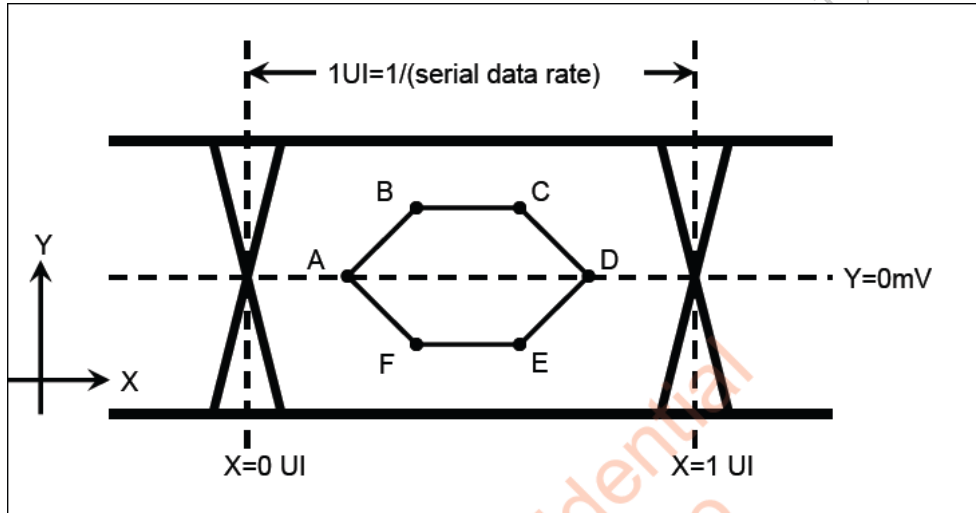


7. V-by-one Inter-pair Skew

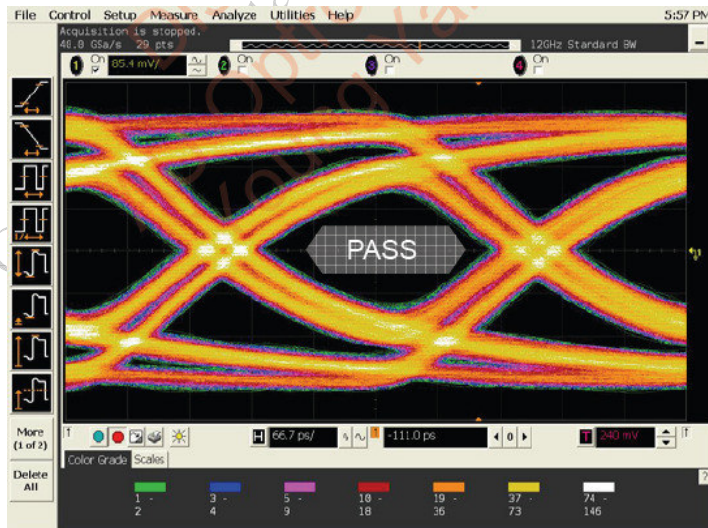


8. Eye diagram at receiver

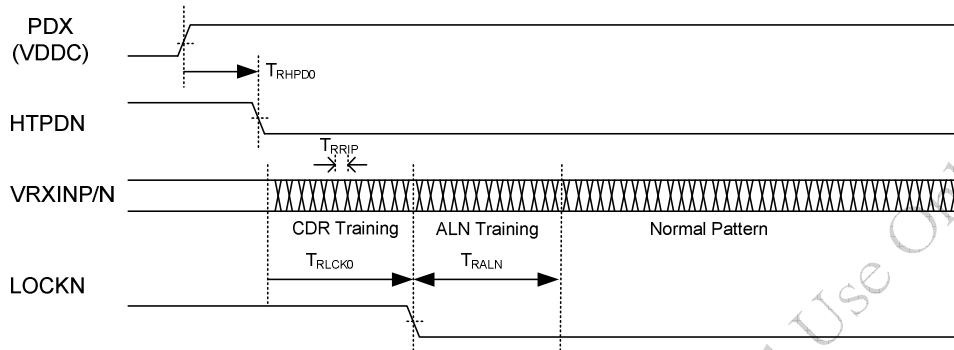
Eye Mask



Example of Eye diagram



9. The relative humidity must not exceed 80% non-condensing at temperatures of 40°C or less. At temperatures greater than 40°C, the wet bulb temperature must not exceed 39°C.



3.2. Interface Connections

LCD connector: JAE FI-RTE51SZ-HF or compatible

| PIN | Symbol | Description |
|-----|--------|---------------|
| 1 | VIN | 12V |
| 2 | VIN | 12V |
| 3 | VIN | 12V |
| 4 | VIN | 12V |
| 5 | VIN | 12V |
| 6 | VIN | 12V |
| 7 | VIN | 12V |
| 8 | VIN | 12V |
| 9 | N.C. | No connection |
| 10 | GND | Ground |
| 11 | GND | Ground |
| 12 | GND | Ground |
| 13 | GND | Ground |
| 14 | GND | Ground |
| 15 | N.C. | No connection |
| 16 | N.C. | No connection |
| 17 | N.C. | No connection |
| 18 | N.C. | No connection |
| 19 | N.C. | No connection |
| 20 | N.C. | No connection |
| 21 | N.C. | No connection |
| 22 | N.C. | No connection |
| 23 | N.C. | No connection |
| 24 | GND | Ground |
| 25 | HTPDN | Vx1 HTPDN |
| 26 | LOCKN | Vx1 LOCK |
| 27 | GND | Ground |
| 28 | RX0N | Vx1 lane 0 |
| 29 | RX0P | Vx1 lane 0 |
| 30 | GND | Ground |
| 31 | RX1N | Vx1 lane 1 |
| 32 | Rx1P | Vx1 lane 1 |
| 33 | GND | Ground |
| 34 | RX2N | Vx1 lane 2 |

| | | |
|----|------|------------|
| 35 | RX2P | Vx1 lane2 |
| 36 | GND | Ground |
| 37 | RX3N | Vx1 lane 3 |
| 38 | RX3P | Vx1 lane 3 |
| 39 | GND | Ground |
| 40 | RX4N | Vx1 lane 4 |
| 41 | RX4P | Vx1 lane 4 |
| 42 | GND | Ground |
| 43 | RX5N | Vx1 lane 5 |
| 44 | RX5P | Vx1 lane 5 |
| 45 | GND | Ground |
| 46 | RX6N | Vx1 lane 6 |
| 47 | RX6P | Vx1 lane 6 |
| 48 | GND | Ground |
| 49 | RX7N | Vx1 lane 7 |
| 50 | RX7P | Vx1 lane 7 |
| 51 | GND | Ground |

V by one color data mapping

| Mode | Packer input & Unpacker output | 30bpp RGB /YCbCr444 (10bit) | | |
|------------|--------------------------------|-----------------------------|---------|---------|
| 4byte mode | 3byte mode | Byte0 | D[0] | R/Cr[2] |
| | | | D[1] | R/Cr[3] |
| | | | D[2] | R/Cr[4] |
| | | | D[3] | R/Cr[5] |
| | | | D[4] | R/Cr[6] |
| | | | D[5] | R/Cr[7] |
| | | | D[6] | R/Cr[8] |
| | | D[7] | R/Cr[9] | |
| | | Byte1 | D[8] | G/Y[2] |
| | | | D[9] | G/Y[3] |
| | | | D[10] | G/Y[4] |
| | | | D[11] | G/Y[5] |
| | | | D[12] | G/Y[6] |
| | | | D[13] | G/Y[7] |
| | | | D[14] | G/Y[8] |
| | Byte2 | D[15] | G/Y[9] | |
| | | D[16] | B/Cb[2] | |
| | | D[17] | B/Cb[3] | |
| | | D[18] | B/Cb[4] | |
| | | D[19] | B/Cb[5] | |
| | | D[20] | B/Cb[6] | |
| | | D[21] | B/Cb[7] | |
| | Byte3 | D[22] | B/Cb[8] | |
| | | D[23] | B/Cb[9] | |
| | | D[24] | -- | |
| | | D[25] | -- | |
| | | D[26] | B/Cb[0] | |
| | | D[27] | B/Cb[1] | |
| | | D[28] | G/Y[0] | |
| | | D[29] | G/Y[1] | |
| | | D[30] | R/Cr[0] | |
| D[31] | | R/Cr[1] | | |

3.3. Signal Timing Specification

This is the signal timing required at the input of the user connector. All of the interface signal timing should be satisfied with the following specifications for its proper operation.

Timing Table (DE only Mode)

| Signal | Item | Symbol | Min. | Typ. | Max | Unit |
|----------------------|-----------|-------------|------|-------|-------|------|
| Vertical Section | Period | Tv | 2200 | 2250 | 2715 | Th |
| | Active | Tdisp (v) | 2160 | | | |
| | Blanking | Tblk (v) | 40 | 90 | 555 | Th |
| Horizontal Section | Period | Th | 530 | 550 | 600 | Tclk |
| | Active | Tdisp (h) | 480 | | | |
| | Blanking | Tblk (h) | 50 | 70 | 120 | Tclk |
| Clock | Frequency | Fclk=1/Tclk | 66 | 74.25 | 77 | MHz |
| Vertical Frequency | Frequency | Fv | 47 | 60 | 63 | Hz |
| Horizontal Frequency | Frequency | Fh | 120 | 135 | 139.2 | KHz |

Notes:

- (1) Display position is specific by the rise of DE signal only.
Horizontal display position is specified by the rising edge of 1st DCLK after the rise of 1st DE, is displayed on the left edge of the screen.
- (2) Vertical display position is specified by the rise of DE after a "Low" level period equivalent to eight times of horizontal period. The 1st data corresponding to one horizontal line after the rise of 1st DE is displayed at the top line of screen.
- (3) If a period of DE "High" is less than 3840 DCLK or less than 2160 lines, the rest of the screen displays black.
- (4) The display position does not fit to the screen if a period of DE "High" and the effective data period do not synchronize with each other.

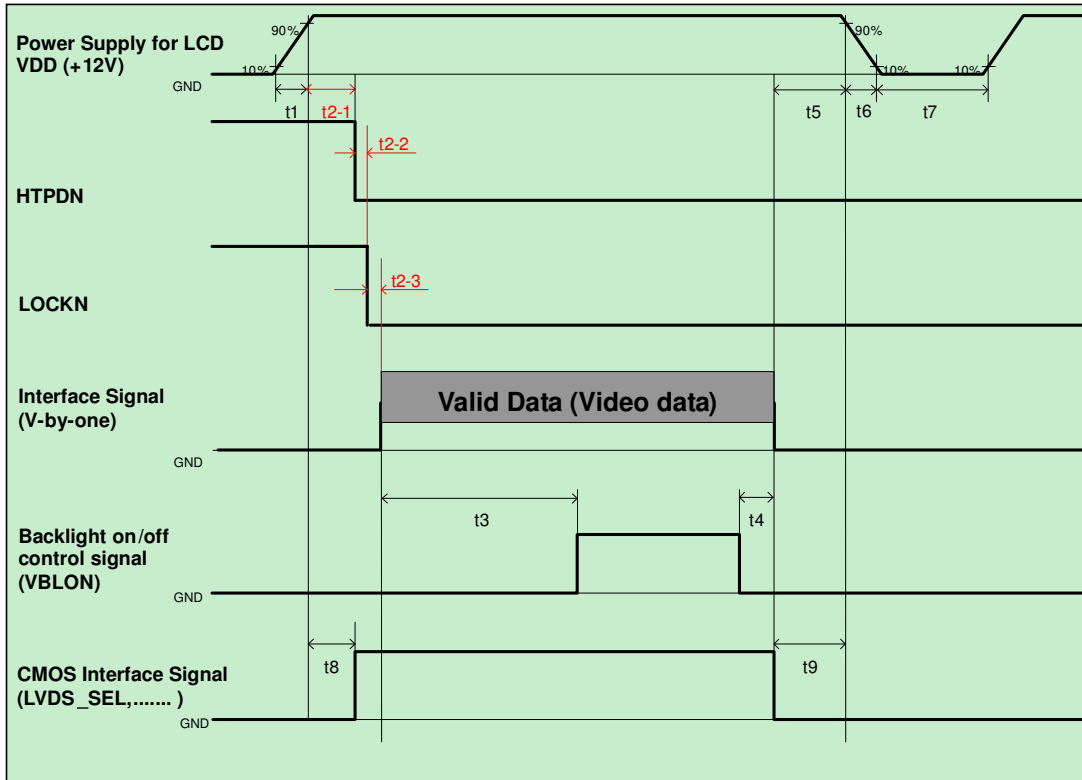
3.4. Color Input Data Reference

The brightness of each primary color (red, green, blue) is based on the 10 bit gray scale data input for the color; the higher the binary input, the brighter the color. The table below provides a reference for color versus data input.

COLOR DATA REFERENCE

| Color | | Input Color Data | | | | | | | | | | | | | | | | | | | | | | | | | | | | | |
|-------------|-------------|------------------|----|----|----|----|-----|----|----|----|----|-------|----|----|----|----|-----|----|----|----|----|------|----|----|----|-----|----|----|----|----|----|
| | | RED | | | | | | | | | | GREEN | | | | | | | | | | BLUE | | | | | | | | | |
| | | MSB | | | | | LSB | | | | | MSB | | | | | LSB | | | | | MSB | | | | LSB | | | | | |
| | | R9 | R8 | R7 | R6 | R5 | R4 | R3 | R2 | R1 | R0 | G9 | G8 | G7 | G6 | G5 | G4 | G3 | G2 | G1 | G0 | B9 | B8 | B7 | B6 | B5 | B4 | B3 | B2 | B1 | B0 |
| Basic Color | Black | 0 | 0 | 0 | 0 | 0 | 0 | 0 | 0 | 0 | 0 | 0 | 0 | 0 | 0 | 0 | 0 | 0 | 0 | 0 | 0 | 0 | 0 | 0 | 0 | 0 | 0 | 0 | 0 | 0 | 0 |
| | Red(1023) | 1 | 1 | 1 | 1 | 1 | 1 | 1 | 1 | 1 | 1 | 0 | 0 | 0 | 0 | 0 | 0 | 0 | 0 | 0 | 0 | 0 | 0 | 0 | 0 | 0 | 0 | 0 | 0 | 0 | 0 |
| | Green(1023) | 0 | 0 | 0 | 0 | 0 | 0 | 0 | 0 | 0 | 0 | 1 | 1 | 1 | 1 | 1 | 1 | 1 | 1 | 1 | 1 | 0 | 0 | 0 | 0 | 0 | 0 | 0 | 0 | 0 | 0 |
| | Blue(1023) | 0 | 0 | 0 | 0 | 0 | 0 | 0 | 0 | 0 | 0 | 0 | 0 | 0 | 0 | 0 | 0 | 0 | 0 | 0 | 0 | 0 | 1 | 1 | 1 | 1 | 1 | 1 | 1 | 1 | 1 |
| | Cyan | 0 | 0 | 0 | 0 | 0 | 0 | 0 | 0 | 0 | 0 | 1 | 1 | 1 | 1 | 1 | 1 | 1 | 1 | 1 | 1 | 1 | 1 | 1 | 1 | 1 | 1 | 1 | 1 | 1 | 1 |
| | Magenta | 1 | 1 | 1 | 1 | 1 | 1 | 1 | 1 | 1 | 1 | 0 | 0 | 0 | 0 | 0 | 0 | 0 | 0 | 0 | 0 | 0 | 1 | 1 | 1 | 1 | 1 | 1 | 1 | 1 | 1 |
| | Yellow | 1 | 1 | 1 | 1 | 1 | 1 | 1 | 1 | 1 | 1 | 1 | 1 | 1 | 1 | 1 | 1 | 1 | 1 | 1 | 1 | 0 | 0 | 0 | 0 | 0 | 0 | 0 | 0 | 0 | 0 |
| | White | 1 | 1 | 1 | 1 | 1 | 1 | 1 | 1 | 1 | 1 | 1 | 1 | 1 | 1 | 1 | 1 | 1 | 1 | 1 | 1 | 1 | 1 | 1 | 1 | 1 | 1 | 1 | 1 | 1 | 1 |
| R | RED(000) | 0 | 0 | 0 | 0 | 0 | 0 | 0 | 0 | 0 | 0 | 0 | 0 | 0 | 0 | 0 | 0 | 0 | 0 | 0 | 0 | 0 | 0 | 0 | 0 | 0 | 0 | 0 | 0 | 0 | |
| | RED(001) | 0 | 0 | 0 | 0 | 0 | 0 | 0 | 0 | 0 | 1 | 0 | 0 | 0 | 0 | 0 | 0 | 0 | 0 | 0 | 0 | 0 | 0 | 0 | 0 | 0 | 0 | 0 | 0 | 0 | |
| | ---- | | | | | | | | | | | | | | | | | | | | | | | | | | | | | | |
| | RED(1022) | 1 | 1 | 1 | 1 | 1 | 1 | 1 | 1 | 1 | 0 | 0 | 0 | 0 | 0 | 0 | 0 | 0 | 0 | 0 | 0 | 0 | 0 | 0 | 0 | 0 | 0 | 0 | 0 | 0 | |
| | RED(1023) | 1 | 1 | 1 | 1 | 1 | 1 | 1 | 1 | 1 | 0 | 0 | 0 | 0 | 0 | 0 | 0 | 0 | 0 | 0 | 0 | 0 | 0 | 0 | 0 | 0 | 0 | 0 | 0 | 0 | |
| G | GREEN(000) | 0 | 0 | 0 | 0 | 0 | 0 | 0 | 0 | 0 | 0 | 0 | 0 | 0 | 0 | 0 | 0 | 0 | 0 | 0 | 0 | 0 | 0 | 0 | 0 | 0 | 0 | 0 | 0 | 0 | |
| | GREEN(001) | 0 | 0 | 0 | 0 | 0 | 0 | 0 | 0 | 0 | 0 | 0 | 0 | 0 | 0 | 0 | 0 | 0 | 0 | 0 | 1 | 0 | 0 | 0 | 0 | 0 | 0 | 0 | 0 | 0 | |
| | ---- | | | | | | | | | | | | | | | | | | | | | | | | | | | | | | |
| | GREEN(1022) | 0 | 0 | 0 | 0 | 0 | 0 | 0 | 0 | 0 | 1 | 1 | 1 | 1 | 1 | 1 | 1 | 1 | 1 | 1 | 0 | 0 | 0 | 0 | 0 | 0 | 0 | 0 | 0 | 0 | |
| | GREEN(1023) | 0 | 0 | 0 | 0 | 0 | 0 | 0 | 0 | 0 | 1 | 1 | 1 | 1 | 1 | 1 | 1 | 1 | 1 | 1 | 0 | 0 | 0 | 0 | 0 | 0 | 0 | 0 | 0 | 0 | |
| B | BLUE(000) | 0 | 0 | 0 | 0 | 0 | 0 | 0 | 0 | 0 | 0 | 0 | 0 | 0 | 0 | 0 | 0 | 0 | 0 | 0 | 0 | 0 | 0 | 0 | 0 | 0 | 0 | 0 | 0 | 0 | |
| | BLUE(001) | 0 | 0 | 0 | 0 | 0 | 0 | 0 | 0 | 0 | 0 | 0 | 0 | 0 | 0 | 0 | 0 | 0 | 0 | 0 | 0 | 0 | 0 | 0 | 0 | 0 | 0 | 0 | 0 | 1 | |
| | ---- | | | | | | | | | | | | | | | | | | | | | | | | | | | | | | |
| | BLUE(1022) | 0 | 0 | 0 | 0 | 0 | 0 | 0 | 0 | 0 | 0 | 0 | 0 | 0 | 0 | 0 | 0 | 0 | 0 | 0 | 1 | 1 | 1 | 1 | 1 | 1 | 1 | 1 | 1 | 0 | |
| | BLUE(1023) | 0 | 0 | 0 | 0 | 0 | 0 | 0 | 0 | 0 | 0 | 0 | 0 | 0 | 0 | 0 | 0 | 0 | 0 | 0 | 1 | 1 | 1 | 1 | 1 | 1 | 1 | 1 | 1 | 1 | |

3.5. Power Sequence for LCD



| Parameter | Values | | | Unit |
|-----------|------------------|-------|-------------------|------|
| | Min. | Type. | Max. | |
| t1 | 0.4 | --- | 30 | ms |
| t2-1 | 10 | --- | --- ^{*1} | ms |
| t2-2 | --- | --- | --- ^{*2} | ms |
| t2-3 | --- | --- | 1 | ms |
| t3 | 640 | --- | --- | ms |
| t4 | 0 ^{*3} | --- | --- | ms |
| t5 | 0 | --- | --- | ms |
| t6 | --- | --- | --- ^{*4} | ms |
| t7 | 500 | --- | --- | ms |
| t8 | 10 ^{*5} | --- | 50 | ms |
| t9 | 0 | --- | --- | ms |

Note:

- (1) t4=0 : concern for residual pattern before BLU turn off.
- (2) t6 : voltage of VDD must decay smoothly after power-off. (customer system decide this value)
- (3) When CMOS Interface signal is N.C. (no connection), opened in Transmitted end, t8 timing spec can be negligible.

3.6. Backlight Specification

註解 [P1]: Independent driver board. Refer to EE Spec

3.6.1. Electrical specification (Ta = 25 ± 2 °C)

| Item | Symbol | Condition | Spec | | | Unit | Note | | |
|------|------------------------------|-------------------|----------|----------------|----------------|------------|------|-----|---|
| | | | Min | Typ | Max | | | | |
| 1 | Input Voltage | VDDB | - | 22.8 | 24 | 25.2 | VDC | - | |
| 2 | Input Current | I _{DDB} | VDDB=24V | | 3.06 (TBD) | 3.31 (TBD) | ADC | 1 | |
| 3 | Input Power | P _{DDB} | VDDB=24V | | 73.5 (TBD) | 79.5 (TBD) | W | 1 | |
| 4 | Inrush Current | I _{RUSH} | VDDB=24V | | - | 1.2 | ADC | 2 | |
| 5 | On/Off control voltage | V _{BLOn} | ON | 2 0 | 3.3 | 5.5 | 5.5 | VDC | - |
| | | | OFF | | 0.8 | 0.8 | 0.8 | | - |
| 6 | On/Off control current | I _{BLOn} | VDDB=24V | - | - | 1.5 | mA | - | |
| 7 | External PWM Control Voltage | V _{EPWM} | MAX | 2 | - | 5.5 | 5.5 | VDC | - |
| | | | MIN | 0 | - | 0.8 | 0.8 | | - |
| 8 | External PWM Control Current | I _{EPWM} | VDDB=24V | - | - | 2 | mADC | - | |
| 9 | External PWM Duty ratio | D _{EPWM} | VDDB=24V | 5 | - | 100 | % | 3 | |
| 10 | External PWM Frequency | F _{EPWM} | VDDB=24V | 90 | 180 | 240 | Hz | - | |
| 11 | DET status signal | DET | HI | Open Collector | Open Collector | | | VDC | 4 |
| | | | Lo | | 0.8 | 0.8 | 0.8 | VDC | 4 |
| 12 | Input Impedance | R _{in} | VDDB=24V | 300 | | | Kohm | - | |

Note 1 : Dimming ratio= 100% (MAX) (Ta=25±5°C, Turn on for 45minutes)

Note 2: Measurement condition Rising time = 20ms (VDDB : 10%~90%);

Note 3: Less than 5% dimming control is functional well and no backlight shutdown happened

Note 4: Normal: 0~0.8V; Abnormal: Open collector

3.6.2. Input Pin Assignment

LED driver board connector : Cvilux CI0114M1HR0-NH or compatible

| Pin | Symbol | Description |
|-----|---------|---|
| 1 | VDDB | Operating Voltage Supply, +24V DC regulated |
| 2 | VDDB | Operating Voltage Supply, +24V DC regulated |
| 3 | VDDB | Operating Voltage Supply, +24V DC regulated |
| 4 | VDDB | Operating Voltage Supply, +24V DC regulated |
| 5 | VDDB | Operating Voltage Supply, +24V DC regulated |
| 6 | BLGND | Ground and Current Return |
| 7 | BLGND | Ground and Current Return |
| 8 | BLGND | Ground and Current Return |
| 9 | BLGND | Ground and Current Return |
| 10 | BLGND | Ground and Current Return |
| 11 | DET | BLU status detection: Normal : 0~0.8V ; Abnormal : Open collector (Recommend Pull high R > 10K, VDD = 3.3V) |
| 12 | VBLOn | BLU On-Off control: High/Open (2~5.5V) : BL On ; Low (0~0.8V/GND) : BL Off |
| 13 | NC | NC |
| 14 | PDIM(*) | External PWM (5%~100% Duty, open for 100%) |



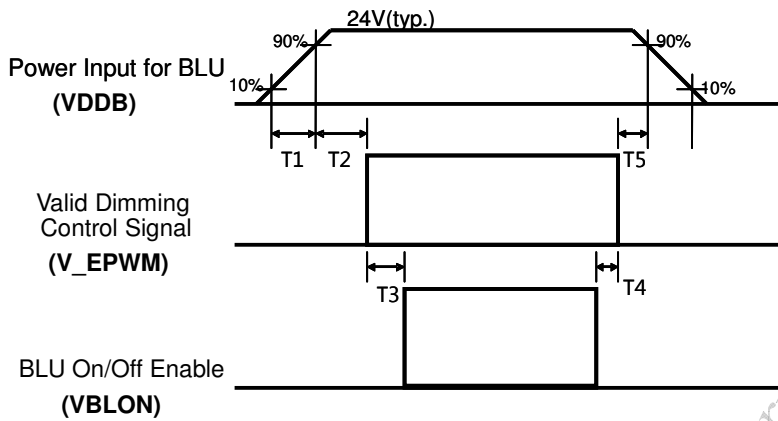
PWM Dimming : include Internal and External PWM Dimming

(Note*) IF External PWM function includes 5% dimming ratio. Judge condition as below:

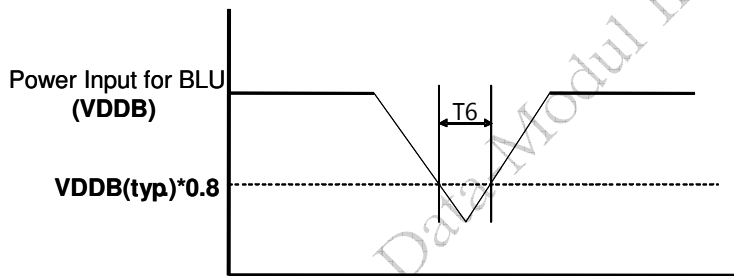
- (1) Backlight module must be lighted ON normally.
- (2) All protection function must work normally.

Uniformity and flicker could NOT be guaranteed

3.6.3. Power Sequence for Backlight



Dip condition



| Parameter | Value | | | Units |
|-----------|-------|-----|------|------------------|
| | Min | Typ | Max | |
| T1 | 20 | - | - | ms |
| T2 | 250 | - | - | ms |
| T3 | 200 | - | - | ms |
| T4 | 0 | - | - | ms |
| T5 | 0 | - | - | ms |
| T6 | - | - | 1000 | ms ⁻¹ |

Note:1. T6 describes VDDB dip condition and VDDB couldn't lower than 10% VDDB.

3.6.4. LED Operating Life Time

| Parameter | Symbol | Value | | | Unit | Note |
|-------------------------------------|--------|-------|-------|-----|------|------|
| | | Min. | Typ. | Max | | |
| Backlight Operating Life Time(MTTF) | | 50000 | 60000 | | Hour | 1 |

Note:

- The lifetime (MTTF) is defined as the time which luminance of LED is 50% compared to its original value.
[Operating condition: Continuous operating at Ta = 25±2°C, for single lamp/LED only]

AUO Confidential For Data-Module Internal Use Only

4. Reliability Test Items

| | Test Item | Q'ty | Condition |
|---|---------------------------------|------------|---|
| 1 | High temperature storage test | 3 | 60°C, 500hrs |
| 2 | Low temperature storage test | 3 | -20°C, 500hrs |
| 3 | High temperature operation test | 3 | 50°C, 500hrs |
| 4 | Low temperature operation test | 3 | -5°C, 500hrs |
| 5 | Vibration test (non-operation) | 3 | Wave form: random Vibration level : 1.0G RMS Bandwidth : 10-300Hz Duration : X axis, Vertical, 10min Y axis, Vertical, 10min Z axis, Vertical, 10min one time each direction |
| 6 | Shock test (non-operation) | 3 | Shock level 50G ,20ms ±X,Y,Z axis Waveform: half sine wave Direction: One time each direction |
| 7 | Vibration test (With carton) | 1CTN/10PCS | Random wave (1.04Grms 2~200Hz) Duration : X,Y,Z 20min per axes |
| 8 | Drop test (With carton) | 1CTN/10PCS | Height: 20 cm Bottom / 2 nd time |

5. International Standard

5.1. Safety

- (1) UL 60950-1; Standard for Safety of Information Technology Equipment Including electrical Business Equipment.
- (2) IEC 60950-1; Standard for Safety of International Electrotechnical Commission
- (3) EN 60950-1; European Committee for Electrotechnical Standardization (CENELEC), EUROPEAN STANDARD for Safety of Information Technology Equipment Including Electrical Business Equipment.

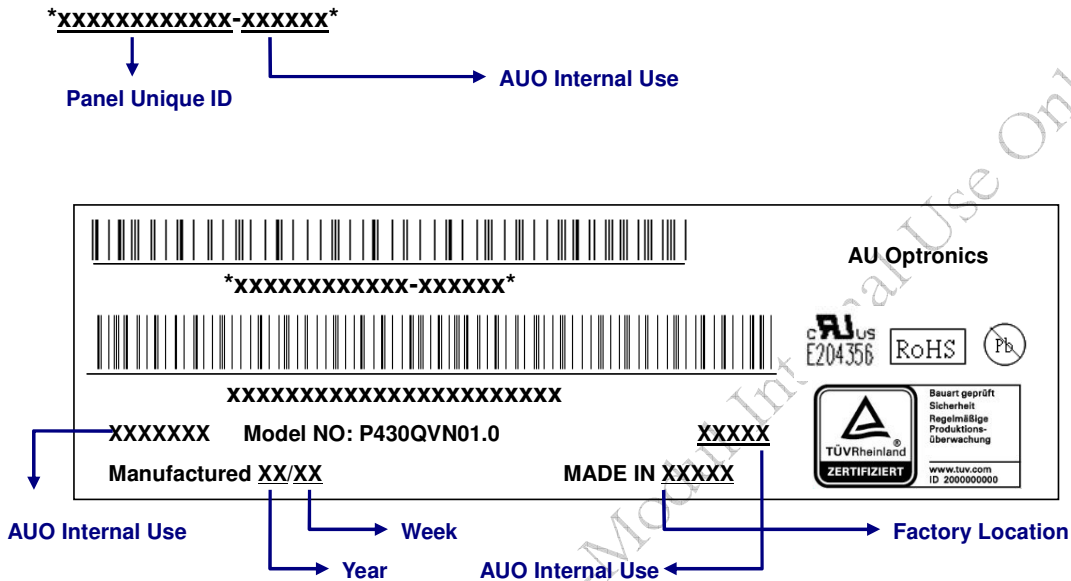
5.2. EMC

- (1) ANSI C63.4 “Methods of Measurement of Radio-Noise Emissions from Low-Voltage Electrical and Electrical Equipment in the Range of 9kHz to 40GHz. “American National standards Institute(ANSI), 1992
- (2) C.I.S.P.R “Limits and Methods of Measurement of Radio Interface Characteristics of Information Technology Equipment.” International Special committee on Radio Interference.
- (3) EN 55022 “Limits and Methods of Measurement of Radio Interface Characteristics of Information Technology Equipment.” European Committee for Electrotechnical Standardization. (CENELEC), 1998

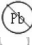
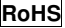
6. Packing

6.1. Definition of Label

A. Panel Label:

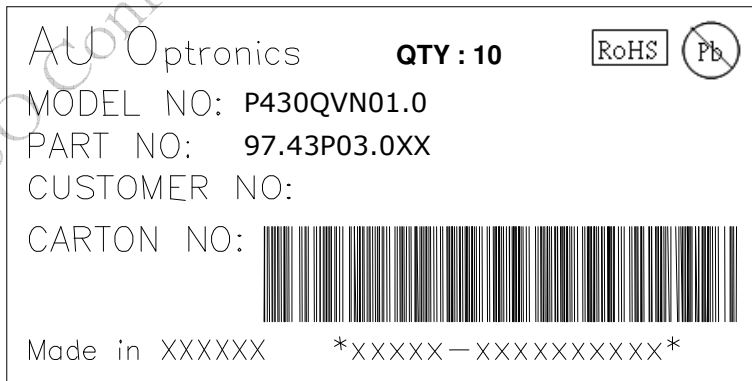


Green mark description

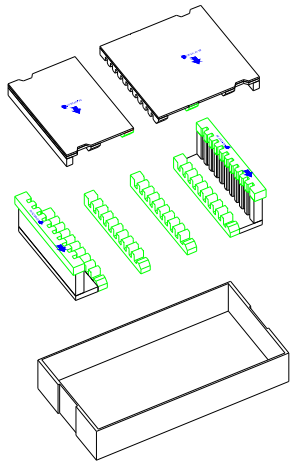
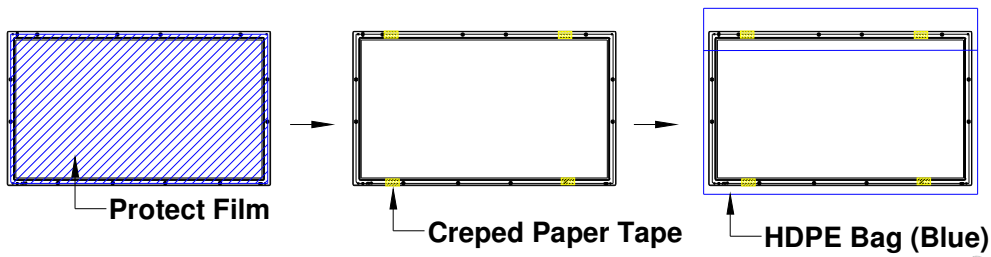
- (1) For Pb Free Product, AUO will add  for identification.
- (2) For RoHS compatible products, AUO will add  for identification.

Note: The green Mark will be present only when the green documents have been ready by AUO internal green team. (definition of green design follows the AUO green design checklist.)

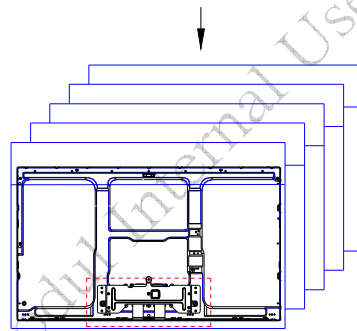
B. Carton Label:



6.2. Packing Methods

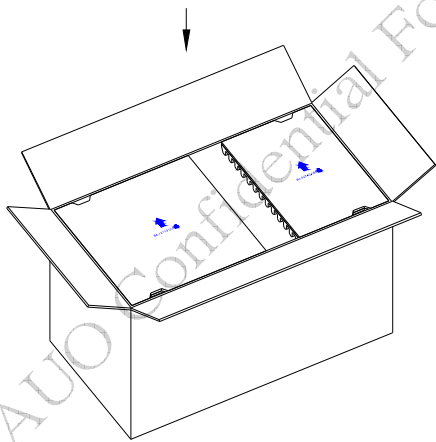


Cushion Set

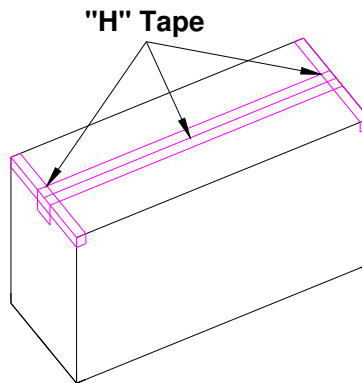


Packing Way : Panel Top Side Down

(10) Pcs Modules



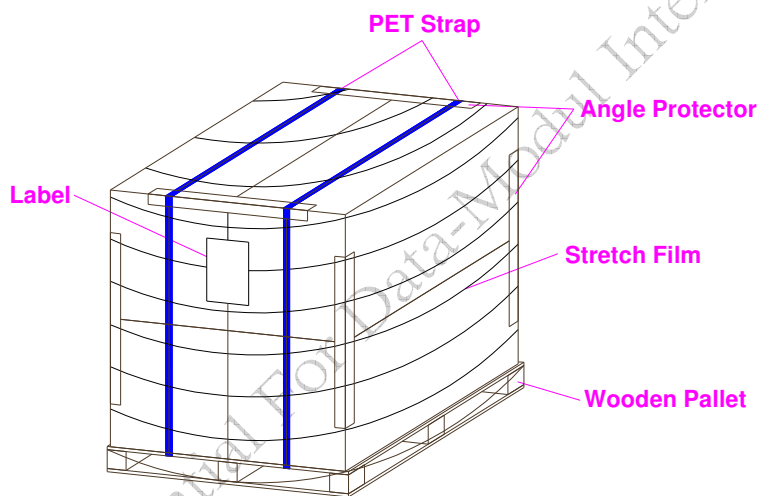
(10) Pcs / 1 Carton



"H" Tape

6.3. Pallet and Shipment Information

| | Item | Specification | | | Packing Remark |
|---|----------------------|----------------|-------------------------|-------------|----------------|
| | | Qty. | Dimension | Weight (kg) | |
| 1 | Packing Box | 10 pcs/box | 1060(L)*560(W)*635(H) | 90(TBD) | |
| 2 | Pallet | 1 | 1150(L)*1070(W)*132(H) | 15.6(TBD) | |
| 3 | Boxes per Pallet | 2 boxes/pallet | | | |
| 4 | Panels per Pallet | 20 pcs/pallet | | | |
| 5 | Pallet after packing | 20 | 1150(L)*1070(W)*1402(H) | 195.6(TBD) | |



單棧 pallet 打棧示意圖
Single pallet packaging illustration

刪除: 層

刪除: One

7. Precautions

Please pay attention to the followings when you use this TFT LCD module.

7.1. Mounting Precautions

- (1) You must mount a module using holes arranged in four corners or four sides.
- (2) You should consider the mounting structure so that uneven force (ex. twisted stress) is not applied to module. And the case on which a module is mounted should have sufficient strength so that external force is not transmitted directly to the module.
- (3) Please attach the surface transparent protective plate to the surface in order to protect the polarizer. Transparent protective plate should have sufficient strength in order to resist external force.
- (4) You should adopt radiation structure to satisfy the temperature specification.
- (5) Acetic acid type and chlorine type materials for the cover case are not desirable because the former generates corrosive gas of attacking the polarizer at high temperature and the latter cause circuit broken by electro-chemical reaction.
- (6) Do not touch, push or rub the exposed polarizer with glass, tweezers or anything harder than HB pencil lead. And please do not rub with dust clothes with chemical treatment. Do not touch the surface of polarizer for bare hand or greasy cloth. (Some cosmetics are detrimental to the polarizer.)
- (7) When the surface becomes dusty, please wipe gently with absorbent cotton or other soft materials like chamois soaks with petroleum benzene. Normal-hexane is recommended for cleaning the adhesives used to attach front/ rear polarizer. Do not use acetone, toluene and alcohol because they cause chemical damage to the polarizer.
- (8) Wipe off saliva or water drops as soon as possible. Their long time contact with polarizer causes deformations and color fading.
- (9) Do not open the case because inside circuits do not have sufficient strength.

7.2. Operating Precautions

- (1) The spike noise causes the mis-operation of circuits. It should be lower than following voltage:
 $V = \pm 200\text{mV}$ (Over and under shoot voltage)
- (2) Response time depends on the temperature. (In lower temperature, it becomes longer..)
- (3) Brightness depends on the temperature. (In lower temperature, it may become lower.) And in lower temperature, response time (required time that brightness is stable after turned on) becomes longer.
- (4) Be careful for condensation at sudden temperature change. Condensation makes damage to polarizer or electrical contacted parts. And after fading condensation, smear or spot will occur.
- (5) When fixed patterns are displayed for a long time, remnant image is likely to occur.
- (6) Module has high frequency circuits. Sufficient suppression to the electromagnetic interference shall be done by system manufacturers. Grounding and shielding methods may

be important to minimize the interface.

7.3. Operating Condition for Public Information Display

The device listed in the product specification is designed and manufactured for PID (Public Information Display) application. To optimize module's lifetime and function, below operating usages are required.

(1) Normal operating condition

- A. Operating temperature: 0~50℃
- B. Operating humidity: 10~90%
- C. Display pattern: dynamic pattern (Real display).
Note) Long-term static display would cause image sticking.

(2) Operation usage to protect against image sticking due to long-term static display.

- A. Suitable operating time: 20 hours a day or less.
(* The moving picture can be allowed for 24 hours a day)
- B. Liquid Crystal refresh time is required. Cycling display between 5 minutes' information (static) display and 10 seconds' moving image.
- C. Periodically change background and character (image) color.
- D. Avoid combination of background and character with large different luminance.

(3) Periodically adopt one of the following actions after long time display.

- A. Running the screen saver (motion picture or black pattern)
- B. Power off the system for a while

(4) LCD system is required to place in well-ventilated environment. Adapting active cooling system is highly recommended.

(5) Product reliability and functions are only guaranteed when the product is used under right operation usages. If product will be used in extreme conditions, such as high temperature/humidity, display stationary patterns, or long operation time etc..., it is strongly recommended to contact AUO for filed application engineering advice. Otherwise, its reliability and function may not be guaranteed. Extreme conditions are commonly found at airports, transit stations, banks, stock market and controlling systems.

7.4. Electrostatic Discharge Control

Since a module is composed of electronic circuits, it is not strong to electrostatic discharge. Make certain that treatment persons are connected to ground through wristband etc. And don't touch interface pin directly.

7.5. Precautions for Strong Light Exposure

Strong light exposure causes degradation of polarizer and color filter.

7.6. Storage

When storing modules as spares for a long time, the following precautions are necessary.

- (1) Store them in a dark place. Do not expose the module to sunlight or fluorescent light. Keep the temperature between 5°C and 35°C at normal humidity.
- (2) The polarizer surface should not come in contact with any other object. It is recommended that they be stored in the container in which they were shipped.
- (3) Storage condition is guaranteed under packing conditions.
- (4) The phase transition of Liquid Crystal in the condition of the low or high storage temperature will be recovered when the LCD module returns to the normal condition.

7.7. Handling Precautions for Protection Film

- (1) The protection film is attached to the bezel with a small masking tape. When the protection film is peeled off, static electricity is generated between the film and polarizer. This should be peeled off slowly and carefully by people who are electrically grounded and with well ion-blown equipment or in such a condition, etc.
- (2) When the module with protection film attached is stored for a long time, sometimes there remains a very small amount of glue still on the bezel after the protection film is peeled off.
- (3) You can remove the glue easily. When the glue remains on the bezel or its vestige is recognized, please wipe them off with absorbent cotton waste or other soft material like chamois soaked with normal-hexane.