

DATA SHEET

P8xC591

**Single-chip 8-bit microcontroller
with CAN controller**

Objective Specification
File under Integrated Circuits, IC20

1999 Aug 19

Single-chip 8-bit microcontroller with CAN controller

P8xC591

1 FEATURES**1.1 80C51 Related Features of the 8xC591**

- Full static 80C51 Central Processing Unit available as OTP, ROM and ROMless
- 16 Kbytes internal Program Memory expandable externally to 64 Kbytes
- 512 bytes on-chip Data RAM expandable externally to 64 Kbytes
- Three 16-bit timers/counters T0, T1 (standard 80C51) and additional T2 (capture & compare)
- 10-bit ADC with 6 multiplexed analog inputs with fast 8-bit ADC option
- Two 8-bit resolution, Pulse Width Modulated outputs
- 32 I/O port pins in the standard 80C51 pinout
- I²C-bus serial I/O port with byte oriented master and slave functions
- On-chip Watchdog Timer T3
- Extended temperature range: -40 to +85°C
- Accelerated (prescaler 1:1) instruction cycle time 375 ns @ 16 MHz
- Operation voltage range: 5 V ± 10%
- Security bits:
 - ROM version has 2 bits
 - OTP/EPROM version has 3 bits
- 64 bytes Encryption array
- 4 level priority interrupt, 15 interrupt sources
- Full-duplex enhanced UART with programmable Baudrate Generator
- Power Control Modes:
 - Clock can be stopped and resumed
 - Idle Mode
 - Power-down Mode
- ADC active in Idle Mode
- Second DPTR register
- ALE inhibit for EMI reduction
- Programmable I/O port pins (pseudo bi-directional, push-pull, high impedance, open drain)
- Wake-up from Power-down by external interrupts
- Software reset bit (AUXR1.5)
- Low active reset pin
- Power-on detect reset
- Once mode

1.2 CAN Related Features of the 8xC591

- CAN 2.0B active controller, supporting 11-bit Standard and 29-bit Extended identifiers
- 1 Mbit/s CAN bus speed with 8 MHz clock achievable
- 64 byte receive FIFO (can capture sequential Data Frames from the *same* source as required by the Transport Layer of higher protocols such as DeviceNet, CANopen and OSEK)
- 13 byte transmit buffer
- Enhanced PeliCAN core (from the SJA1000 stand-alone CAN2.0B controller)

1.2.1 PELICAN FEATURES

- Four independently configurable Screeners (Acceptance Filters)
- Each Screener has two 32-bit specifiers:
 - 32-bit Match and
 - 32-bit Mask
- 32-bits of Mask *per Screener* allows *unique* Group addressing *per Screener*
- Higher layer protocols especially supported in Standard CAN format with:
 - Up to four, 11-bit ID Screeners that also Screen the two (2) Data Bytes
 - i.e., Data Frames are Screened by the CAN ID and by Data Byte content
- Up to eight, 11-bit ID Screeners half of which *also* Screen the *first* Data Byte
- All Screeners are changeable “on the fly”
- Listen Only Mode, Self Test Mode
- Error Code Capture, Arbitration Lost Capture, readable Error Counters

Single-chip 8-bit microcontroller with CAN controller

P8xC591

2 GENERAL DESCRIPTION

The P8xC591 is a single-chip 8-bit-high-performance microcontroller, with on-chip CAN-controller, derived from the 80C51 microcontroller family.

It uses the powerful 80C51 instruction set and includes the successful PeliCAN functionality of the SJA1000 CAN controller from Philips Semiconductors.

The fully static core provides extended power save provisions as the oscillator can be stopped and easily restarted without loss of data. The improved internal clock prescaler of 1:1 achieves a 375 ns instruction cycle time at 16 MHz external clock rate.

Figure 1 shows a Block Diagram of the P8xC591. The microcontroller is manufactured in an advanced CMOS process, and is designed for use in automotive and general industrial applications. In addition to the 80C51 standard features, the device provides a number of dedicated hardware functions for these applications.

Three versions of the P8xC591 will be offered:

- P80C591 (without ROM)
- P83C591 (with ROM)
- P87C591 (with OTP)

Hereafter these versions will be referred to as P8xC591.

The temperature range includes (max. $f_{CLK} = 16$ MHz):

- -40 to +85 °C version, for general applications

The P8xC591 combines the functions of the P87C554 (microcontroller) and the SJA1000 (stand-alone CAN-controller) with the following enhanced features:

- Enhanced CAN receive interrupt (level sensitive)
- Extended acceptance filter
- Acceptance filter changeable "on the fly".

The main differences between P8xC591 and P87C554 are:

- CAN-controller on chip
- 6-input ADC
- Low active Reset
- 44 leads.

3 ORDERING INFORMATION

TYPE NUMBER	PACKAGE			TEMPERATURE RANGE (°C)
	NAME	DESCRIPTION	VERSION	
P80C591SFA	PLCC44	plastic leaded chip carrier; 44 leads	SOT187-2	-40 to +85
P83C591SFA				
P87C591SFA				
P80C591SFB	QFP44	plastic quad flat package; 44 leads (lead length 1.3 mm); body 10 × 10 × 1.75 mm	SOT307-2	
P83C591SFB				
P87C591SFB				

Single-chip 8-bit microcontroller with CAN controller

P8xC591

4 BLOCK DIAGRAM

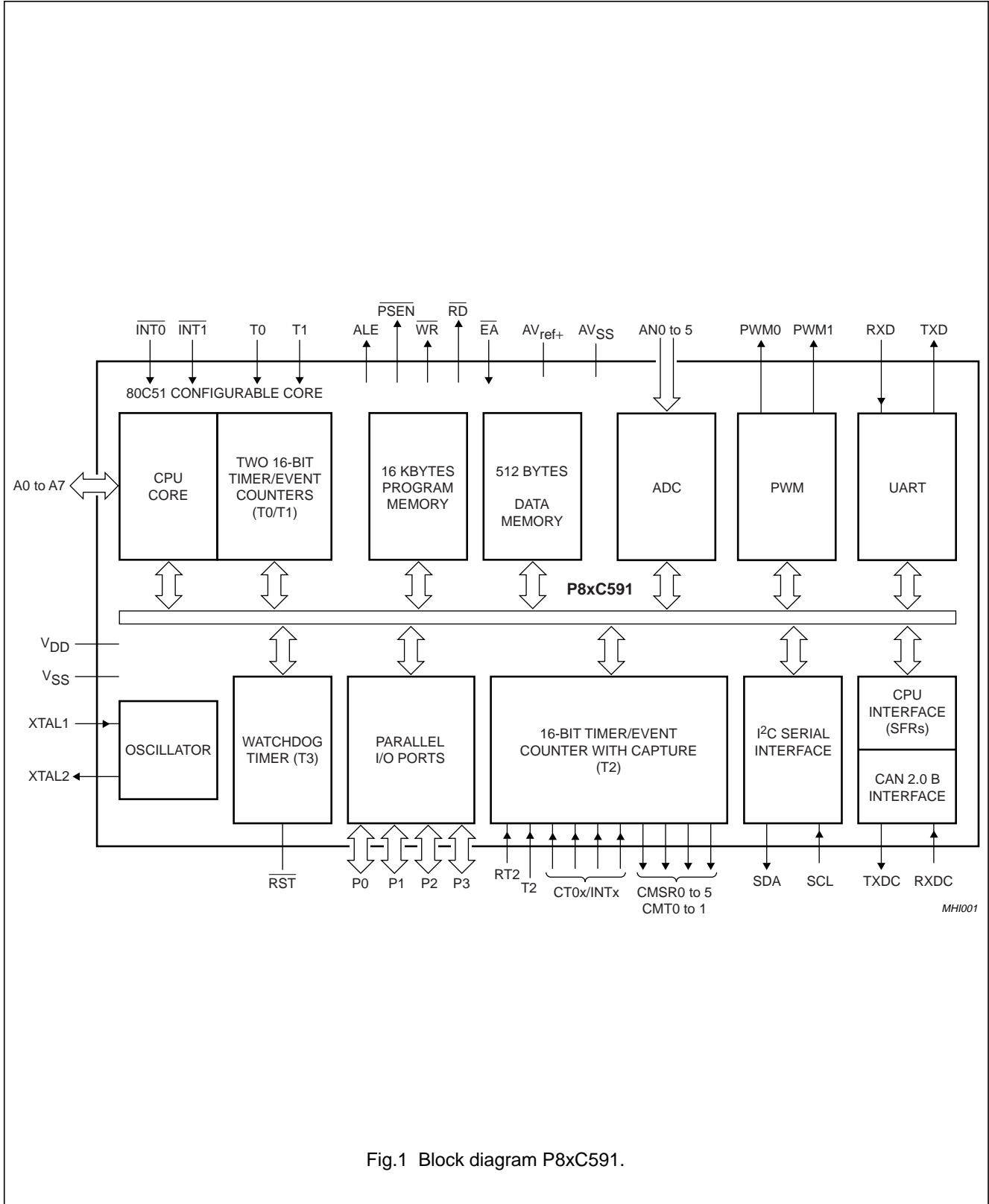


Fig.1 Block diagram P8xC591.

Single-chip 8-bit microcontroller with CAN controller

P8xC591

5 FUNCTIONAL DIAGRAM

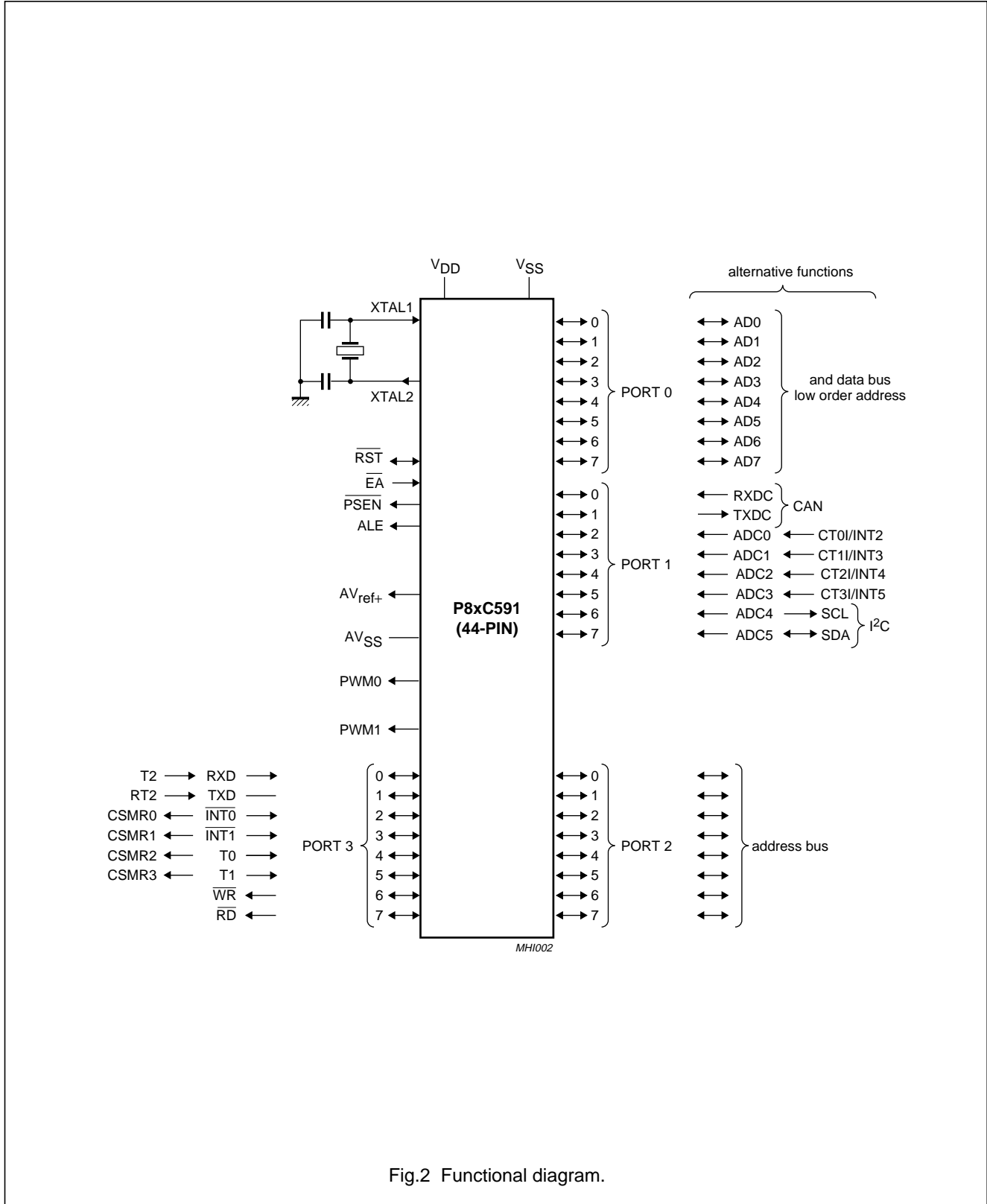


Fig.2 Functional diagram.

Single-chip 8-bit microcontroller with CAN controller

P8xC591

6 PINNING INFORMATION

6.1 Pinning diagram

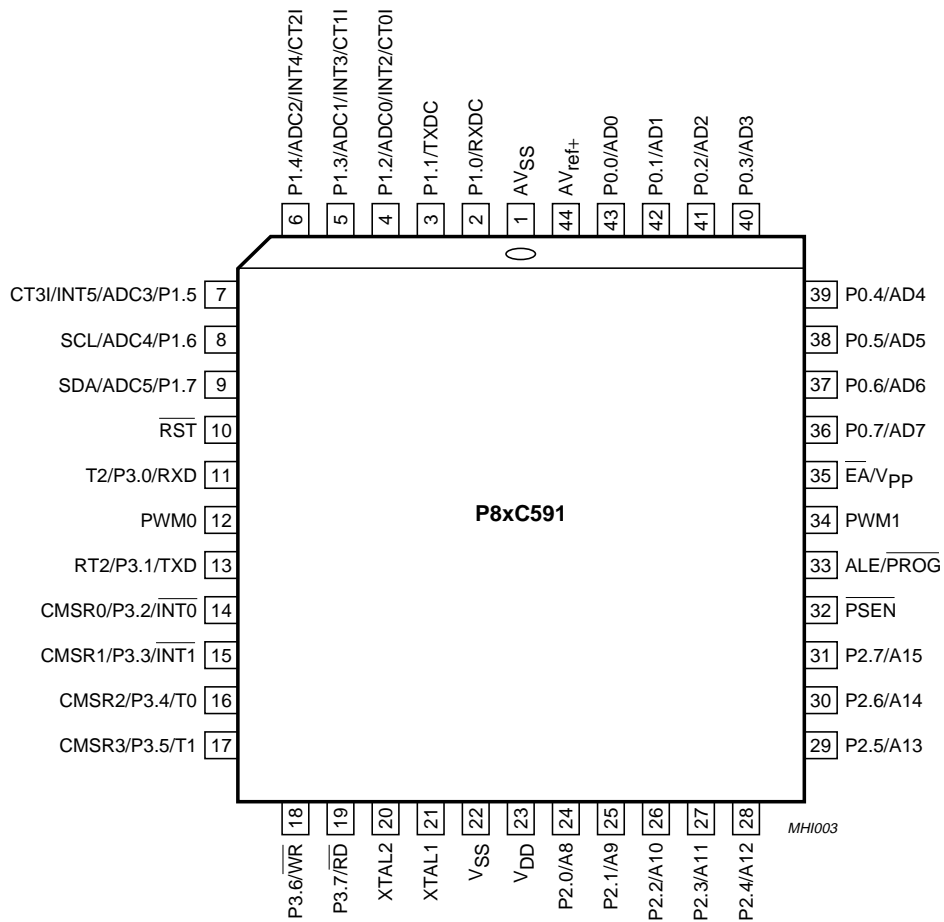


Fig.3 Pinning Diagram for 44-lead LCC Package.

Single-chip 8-bit microcontroller with CAN controller

P8xC591

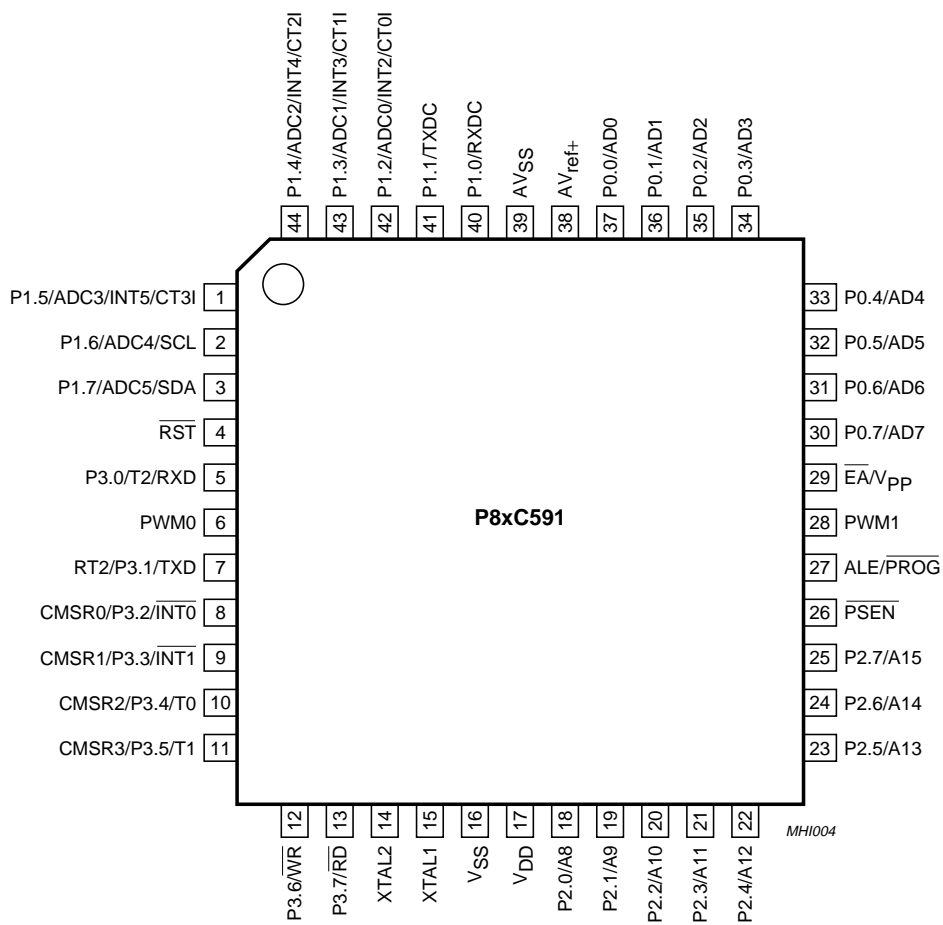


Fig.4 Pinning Diagram for 44-lead Plastic Quad Flat Package (QFP).

Single-chip 8-bit microcontroller with CAN controller

P8xC591

6.2 Pin description

Table 1 Pin description for QFP44/PLCC44, see Note 1.

SYMBOL	PIN		DESCRIPTION
	QFP44	PLCC44	
$\overline{\text{RST}}$	4	10	Reset: A Input to reset the P8xC591. It also provides a reset pulse as output when Timer T3 overflows.
P3.0to P3.7			Port 3 (P3.0 to P3.7): 8-bit programmable I/O port lines; Port 3 can sink/source 4 LSTTL inputs. Port 3 pins serve alternate functions as follows:
P3.0/RXD	5	11	RXD: Serial input port for UART; T2: T2 event input
P3.1/TXD	7	13	TXD: Serial output port for UART; RT2: T2 timer reset signal. Rising edge triggered.
P3.2/ $\overline{\text{INT0}}$ /CMSR0	8	14	$\overline{\text{INT0}}$: External interrupt input 0; CMSR0: Compare and Set/Reset output for Timer T2.
P3.3/ $\overline{\text{INT1}}$ /CMSR1	9	15	$\overline{\text{INT1}}$: External interrupt input 1; CMSR1: Compare and Set/Reset output for Timer T2.
P3.4/T0/CMSR2	10	16	T0: Timer 0 external interrupt input; CMSR2: Compare and Set/Reset output for Timer T2.
P3.5/T1/CMSR3	11	17	T1: Timer 1 external interrupt input; CMSR3: Compare and Set/Reset output for Timer T2.
P3.6/ $\overline{\text{WR}}$	12	18	$\overline{\text{WR}}$: External Data Memory Write strobe;
P3.7/ $\overline{\text{RD}}$	13	19	$\overline{\text{RD}}$: External Data Memory Read strobe. During reset, Port 3 will be asynchronously driven resistive HIGH. Port 3 has four modes selected on a per bit basis by writing to the P3M1 and P3M2 registers as follows: P3M1.x P3M2.x Mode Description
			0 0 Pseudo-bidirectional (standard c51 configuration default)
			0 1 Push-Pull
			1 0 High impedance
			1 1 Open drain
XTAL2	14	20	Crystal pin 2: output of the inverting amplifier that forms the oscillator. Left open-circuit when an external oscillator clock is used.
XTAL1	15	21	Crystal pin 1: input to the inverting amplifier that forms the oscillator, and input to the internal clock generator. Receives the external oscillator clock signal when an external oscillator is used.
V _{SS}	16	22	Ground; circuit ground potential.
V _{DD}	17	23	Power supply; power supply pin during normal operation and power reduction modes.

Single-chip 8-bit microcontroller with CAN controller

P8xC591

SYMBOL	PIN		DESCRIPTION															
	QFP44	PLCC44																
P2.0/A08 to P2.7/A15	18 to 25	24 to 31	<p>Port 2 (P2.0 to P2.7): 8-bit programmable I/O port lines; A08 to A15: High-order address byte for external memory.</p> <p>Alternate function: High-order address byte for external memory (A08-A15). Port 2 is also used to input the upper order address during EPROM programming and verification. A8 is on P2.0, A9 on P2.1, through A12 on P2.4.</p> <p>During reset, Port 2 will be asynchronously driven HIGH.</p> <p>Port 2 has four output modes selected on a per bit basis by writing to the P2M1 and P2M2 registers as follows:</p> <table border="1"> <thead> <tr> <th>P2M1.x</th> <th>P2M2.x</th> <th>Mode Description</th> </tr> </thead> <tbody> <tr> <td>0</td> <td>0</td> <td>Pseudo-bidirectional (standard c51 configuration default)</td> </tr> <tr> <td>0</td> <td>1</td> <td>Push-Pull</td> </tr> <tr> <td>1</td> <td>0</td> <td>High impedance</td> </tr> <tr> <td>1</td> <td>1</td> <td>Open drain</td> </tr> </tbody> </table>	P2M1.x	P2M2.x	Mode Description	0	0	Pseudo-bidirectional (standard c51 configuration default)	0	1	Push-Pull	1	0	High impedance	1	1	Open drain
P2M1.x	P2M2.x	Mode Description																
0	0	Pseudo-bidirectional (standard c51 configuration default)																
0	1	Push-Pull																
1	0	High impedance																
1	1	Open drain																
$\overline{\text{PSEN}}$	26	32	<p>Program Store Enable output: read strobe to the external Program Memory via Ports 0 and 2. Is activated twice each machine cycle during fetches from external Program Memory. When executing out of external Program Memory two activations of $\overline{\text{PSEN}}$ are skipped during each access to external Data Memory. $\overline{\text{PSEN}}$ is not activated (remains HIGH) during no fetches from external Program Memory. $\overline{\text{PSEN}}$ can sink/source 8 LSTTL inputs. It can drive CMOS inputs without external pull-ups.</p>															
ALE/ $\overline{\text{PROG}}$	27	33	<p>Address Latch Enable output. Latches the low byte of the address during access of external memory in normal operation. It is activated every six oscillator periods except during an external Data Memory access. ALE can sink/source 8 LSTTL inputs. It can drive CMOS inputs without an external pull-up. To prohibit the toggling of ALE pin (RFI noise reduction) the bit A0 (SFR: AUXR.0) must be set by software; see Table 4.</p> <p>PROG: the programming pulse input; alternative function for the P87C591.</p>															
$\overline{\text{EA}}/V_{\text{PP}}$	29	35	<p>External Access input. If, during reset, $\overline{\text{EA}}$ is held at a TTL level HIGH the CPU executes out of the internal Program Memory. If, during reset, $\overline{\text{EA}}$ is held at a TTL level LOW the CPU executes out of external Program Memory via Port 0 and Port 2. $\overline{\text{EA}}$ is not allowed to float. $\overline{\text{EA}}$ is latched during reset and don't care after reset.</p> <p>V_{PP}: the programming supply voltage; alternative function for the P87C591.</p>															
P0.0/AD0 to P0.7/AD7	30 to 37	36 to 43	<p>Port 0: 8-bit open-drain bidirectional I/O port. During reset, Port 0 is HIGH-Impedance (Tri-State).</p> <p>AD7 to AD0: Multiplexed Low-order address and Data bus for external memory. During these accesses internal pull-ups are activated. Port 0 can sink/source up to 8 LSTTL inputs.</p>															
$V_{\text{ref+}}$	38	44	Analog to Digital Conversion Reference Resistor: High-end.															
V_{SS}	39	1	Analog ground.															

Single-chip 8-bit microcontroller with CAN controller

P8xC591

SYMBOL	PIN		DESCRIPTION															
	QFP44	PLCC44																
P1.0 to P1.4 P1.5 to P1.7	40 to 44 1 to 3	2 to 6 7 to 9	<p>Port 1: 8-bit I/O port with a user configurable output type. The operation of Port 1 pins as inputs or outputs depends upon the port configuration selected. Each port pin is configured independently.</p> <p>Port 1 also provides various special functions as described below:</p>															
P1.0	40	2	RXDC: CAN Receiver input line.															
P1.1	41	3	TXDC: CAN Transmit output line. During reset, Port P1.0 and P1.1 will be asynchronously driven resistive HIGH, P1.2 to P1.7 is High-Impedance (Tri-state).															
P1.2 to P1.4	42 to 44	4 to 6	CT0/INT2 / CT1/INT3 / CT2/INT4: T2 Capture timer inputs or External Interrupt inputs. ADC0 to ADC2: Alternate function: Input channels to ADC.															
P1.5 to P1.7	1 to 3	7 to 9	ADC3 to ADC5: Input channels to ADC:															
P1.5	1	7	CT3/INT5: T2 Capture timer input or External Interrupt inputs.															
P1.6	2	8	SCL: Serial port clock line I ² C.															
P1.7	3	9	SDA: Serial data clock line I ² C.															
			<p>Port 1 has four modes selected on a per bit basis by writing to the P1M1 and P1M2 registers as follows:</p> <table border="1"> <thead> <tr> <th>P1M1.x</th> <th>P1M2.x</th> <th>Mode Description</th> </tr> </thead> <tbody> <tr> <td>0</td> <td>0</td> <td>Pseudo-bidirectional (standard c51 configuration default (2))</td> </tr> <tr> <td>0</td> <td>1</td> <td></td> </tr> <tr> <td>1</td> <td>0</td> <td>Push-Pull (2)</td> </tr> <tr> <td>1</td> <td>1</td> <td>High impedance Open drain</td> </tr> </tbody> </table> <p>Port 1 is also used to input the lower order address byte during EPROM programming and verification. A0 is on P1.0, etc.</p>	P1M1.x	P1M2.x	Mode Description	0	0	Pseudo-bidirectional (standard c51 configuration default (2))	0	1		1	0	Push-Pull (2)	1	1	High impedance Open drain
P1M1.x	P1M2.x	Mode Description																
0	0	Pseudo-bidirectional (standard c51 configuration default (2))																
0	1																	
1	0	Push-Pull (2)																
1	1	High impedance Open drain																
PWM0	6	12	Pulse Width Modulation: Output 0.															
PWM1	28	34	Pulse Width Modulation: Output 1.															

Notes

- To avoid "latch-up" effect as power-on, the voltage on any pin at any time must not be higher or lower than $V_{DD} + 0.5 V$ or $V_{SS} - 0.5 V$.
- Not implemented for P1.6 and P1.7.

Single-chip 8-bit microcontroller with CAN controller

P8xC591

7 MEMORY ORGANIZATION

The Central Processing Unit (CPU) manipulates operands in three memory spaces as follows (see Fig.5):

- 16 kbytes internal resp. 64 kbytes external Program Memory
- 512 bytes internal Data Memory Main-and Auxiliary RAM
- up to 64 kbytes external Data Memory (with 256 bytes residing in the internal Auxiliary RAM).

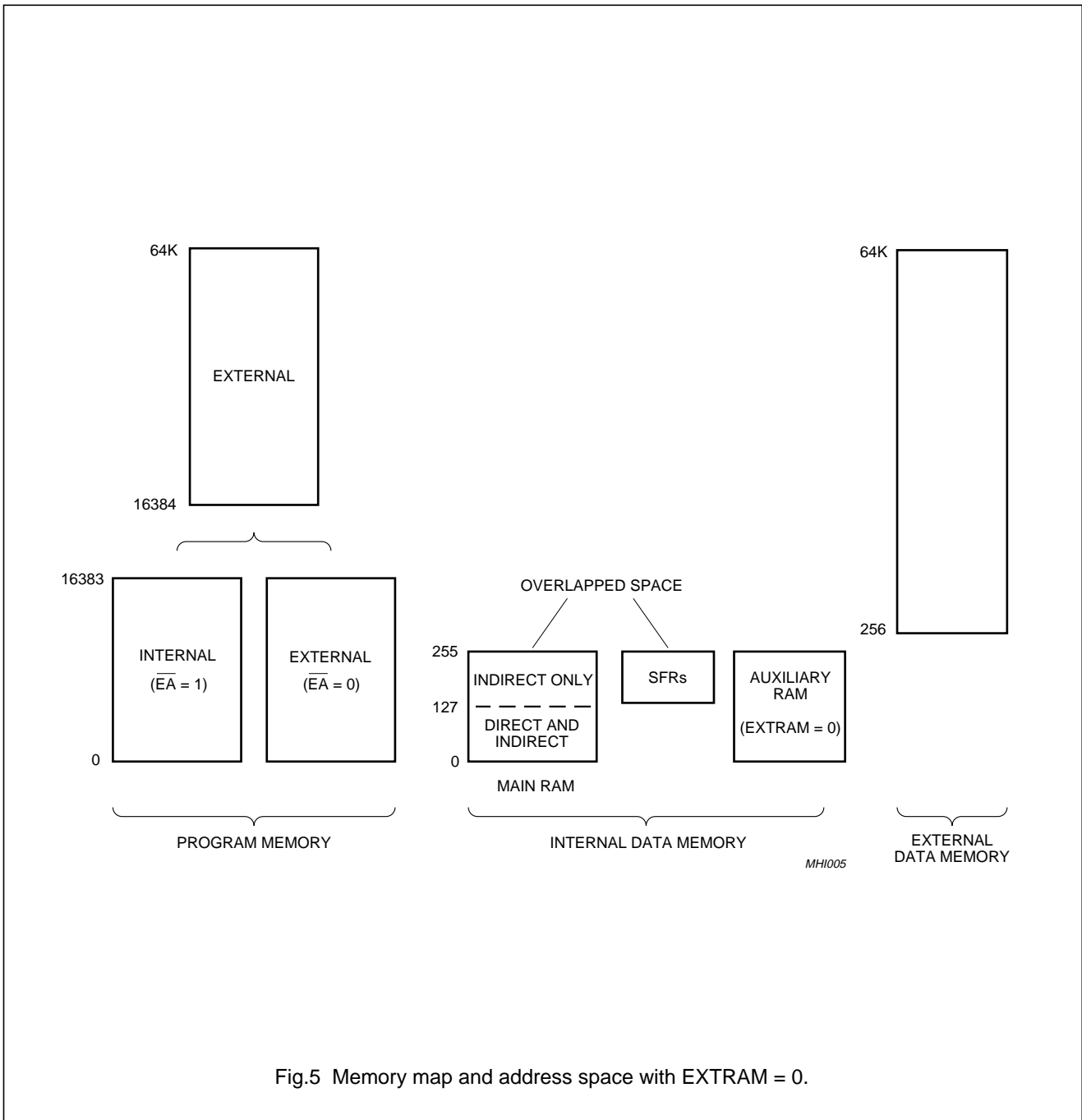


Fig.5 Memory map and address space with EXTRAM = 0.

Single-chip 8-bit microcontroller with CAN controller

P8xC591

7.1 Program Memory

The P8xC591 contains 16 Kbytes of on-chip Program Memory which can be extended to 64 Kbytes with external memories. When \overline{EA} pin is held HIGH, the P8xC591 fetches instructions from internal ROM unless the address exceeds 3FFFh. Locations 4000h to FFFFh are fetched from external Program Memory. When the \overline{EA} pin is held LOW, all instruction fetches are from external memory. The \overline{EA} pin is latched during reset and is “don’t care” after reset.

Both, for the ROM and EPROM version of the P8xC591, precautions are implemented to protect the device against illegal Program Memory code reading.

7.2 Addressing

The P8xC591 has five methods for addressing the Program and Data memory:

- Register
- Direct
- Register-Indirect
- Immediate
- Base-Register plus Index-Register-Indirect.

For more details about Addressing modes please refer to Section 22.1 “Addressing Modes”.

7.3 Expanded Data RAM addressing

The P8xC591 has internal data memory that is mapped into four separate segments: the lower 128 bytes of RAM, upper 128 bytes of RAM, 128 bytes Special Function Register (SFR), and 256 bytes Auxiliary RAM (AUX-RAM) as shown in Figure 5.

The four segments are:

1. The Lower 128 bytes of RAM (addresses 00H to 7FH) are directly and indirectly addressable (see Fig.6).
2. The Upper 128 bytes of RAM (addresses 80H to FFH) are indirectly addressable.
3. The Special Function Registers, SFRs, (addresses 80H to FFH) are directly addressable only. All these SFRs are described in Table 4.
4. The 256-bytes AUX-RAM (00H - FFH) are indirectly accessed by move external instruction, MOVX, and within the EXTRAM bit cleared, see Table 3.

The Lower 128 bytes can be accessed by either direct or indirect addressing. The Upper 128 bytes can be accessed by indirect addressing only. The Upper 128 bytes occupy the same address space as the SFR. That

means they have the same address, but are physically separate from SFR space.

When an instruction accesses an internal location above address 7FH, the CPU knows whether the access is to the upper 128 bytes of data RAM or to SFR space by the addressing mode used in the instruction. Instructions that use direct addressing access SFR space.

For example:

```
MOV 0A0H,#data
```

accesses the SFR at location 0A0H (which is P2). Instructions that use indirect addressing access the Upper 128 bytes of data RAM.

For example:

```
MOV @ R0,#data
```

where R0 contains 0A0H, accesses the data byte at address 0A0H, rather than P2 (whose address is 0A0H).

The AUX-RAM can be accessed by indirect addressing, with EXTRAM bit cleared and MOVX instructions. This part of memory is physically located on-chip, logically occupies the first 256-bytes of external data memory.

With EXTRAM = 0, the AUX-RAM is indirectly addressed, using the MOVX instruction in combination with any of the registers R0, R1 of the selected bank or DPTR. An access to AUX-RAM will not affect ports P0, P3.6 (WR#) and P3.7 (RD#). P2 SFR is output during external addressing. For example, with EXTRAM = 0,

```
MOV @ R0,#data
```

where R0 contains 0A0h, access the AUX-RAM at address 0A0H rather than external memory. An access to external data memory locations higher than FFH (i.e., 0100H to FFFFH) will be performed with the MOVX DPTR instructions in the same way as in the standard 80C51, so with P0 and P2 as data/address bus, and P3.6 and P3.7 as write and read timing signals. Refer to Table 4.

With EXTRAM = 1, MOVX @ Ri and MOVX @ DPTR will be similar to the standard 80C51. MOVX @ Ri will provide an 8-bit address multiplexed with data on Port 0 and any output port pins can be used to output higher order address bits. This is to provide the external paging capability. MOVX @ DPTR will generate a 16-bit address. Port 2 outputs the high-order eight address bits (the contents of DPH) while Port 0 multiplexes the low-order eight address bits (DPL) with data. MOVX @ Ri and MOVX @ DPTR will generate either read or write signals on P3.6 (#WR) and P3.7 (#RD).

The stack pointer (SP) may be located anywhere in the 256 bytes RAM (lower and upper RAM) internal data memory. The stack cannot be located in the AUX-RAM.

Single-chip 8-bit microcontroller with CAN controller

P8xC591

Table 2 AUX-RAM Page Register (address 8EH)

7	6	5	4	3	2	1	0
-	-	-	-	-	LVADC	EXTRAM	AO

Table 3 Description of AUX-RAM bits

BIT	SYMBOL	FUNCTION
7 to 3	–	Reserved for future use; see Note 1.
2	LVADC	Enable A/D low voltage operation. LVADC Operating Mode 0 Turns off A/D charge pump. 1 Turns on A/D charge pump. Required for operation below 4 V.
1	EXTRAM	Internal/External RAM (00H - FFH) access using MOVX @ RI / @ DPTR EXTRAM Operating Mode 0 Internal AUX-RAM (00H - FH) access using MOVX @ RI / @ DPTR. 1 External data memory access.
0	AO	Disable/Enable ALE. AO Operating Mode 0 ALE is permitted at a constant rate of 1/6 the oscillator frequency. 1 ALE is active only during a MOVX or MOVC instruction.

Notes

1. User software should not write '1's to reserved bits. These bits may be used in future 80C51 family products to invoke new features. In that case, the reset or inactive of the new bit will be 0, and its active value will be '1'. The value read from a reserved bit is indeterminate.
2. Reset value is 'xxxxxx10B'.

Single-chip 8-bit microcontroller with CAN controller

P8xC591

7Fh	(MSB) (LSB)								127
2Fh	7F	7E	7D	7C	7B	7A	79	78	47
2Eh	77	76	75	74	73	72	71	70	46
2Dh	6F	6E	6D	6C	6B	6A	69	68	45
2Ch	67	66	65	64	63	62	61	60	44
2Bh	5F	5E	5D	5C	5B	5A	59	58	43
2Ah	57	56	55	54	53	52	51	50	42
29h	4F	4E	4D	4C	4B	4A	49	48	41
28h	47	46	45	44	43	42	41	40	40
27h	3F	3E	3D	3C	3B	3A	39	38	39
26h	37	36	35	34	33	32	31	30	38
25h	2F	2E	2D	2C	2B	2A	29	28	37
24h	27	26	25	24	23	22	21	20	36
23h	1F	1E	1D	1C	1B	1A	19	18	35
22h	17	16	15	14	13	12	11	10	34
21h	0F	0E	0D	0C	0B	0A	09	08	33
20h	07	06	05	04	03	02	01	00	32
1Fh	REGISTER BANK 3								31
18h	REGISTER BANK 3								24
17h	REGISTER BANK 2								23
10h	REGISTER BANK 2								16
0Fh	REGISTER BANK 1								15
08h	REGISTER BANK 1								8
07h	REGISTER BANK 0								7
00h	REGISTER BANK 0								0

MH1006

Fig.6 Internal Main RAM bit addresses.

Single-chip 8-bit microcontroller with CAN controller

P8xC591

7.3.1 SPECIAL FUNCTION REGISTERS

Table 4 Special Function Register Bit Address, Symbol or Alternate Port Function

* = SFRs are bit addressable; # = SFRs are modified from or added to the 80C51 SFRs.

NAME	DESCRIPTION	SFR ADDR	BIT FUNCTIONS AND ADDRESSES								RESET VALUE
			MSB				LSB				
ACC*	Accumulator	E0H	E7	E6	E5	E4	E3	E2	E1	E0	00H
ADCH#	A/D converter high	C6H									xxxxxxx b
ADCON#	A/D control	C5H	ADC.1	ADC.0	-	ADCI	ADCS	AADR2	AADR1	AADR0	xx000000 b
AUXR	Auxiliary	8EH	-	-	-	-	-	LVADC	EXTRAM	A0	xxxxx110 B
AUXR1	Auxiliary	A2H	ADC8	AIDL	SRST	WDE	WUPD	0	-	DPS	000000x0 B
B*	B register	F0H	F7	F6	F5	F4	F3	F2	F1	F0	00H
CTCON#	Capture control	EBH	CTN3	CTP3	CTN2	CTP2	CTN1	CTP1	CTN0	CTP0	00H
CTH3#	Capture high 3	CFH									xxxxxxx B
CTH2#	Capture high 2	CEH									xxxxxxx B
CTH1#	Capture high 1	CDH									xxxxxxx B
CTH0#	Capture high 0	CCH									xxxxxxx B
CMH2#	Compare high 2	CBH									00H
CMH1#	Compare high 1	CAH									00H
CMH0#	Compare high 0	C9H									00H
CTL3#	Capture low 3	AFH									xxxxxxx B
CTL2#	Capture low 2	AEH									xxxxxxx B
CTL1#	Capture low 1	ADh									xxxxxxx B
CTL0#	Capture low 0	ACH									xxxxxxx B
CML2#	Compare low 2	ABH									00H
CML1#	Compare low 1	AAH									00H
CML0#	Compare low 0	A9H									00H
DPTR:	Data Pointer (2 bytes):										
DPH	Data Pointer High	83h									00H
DPL	Data Pointer Low	82h									00H
			AF	AE	AD	AC	AB	AA	A9	A8	
IEN0*#	Interrupt Enable 0	A8H	EA	EAD	ES1	ES0	ET1	EX1	ET0	EX0	00H
			EF	EE	ED	EC	EB	EA	E9	E8	
IEN1*#	Interrupt Enable 1	E8H	ET2	ECAN	ECM1	ECM0	ECT3	ECT2	ECT1	ECT0	00H
			BF	BE	BD	BC	BB	BA	B9	B8	
IP0*#	Interrupt Priority 0	B8H	-	PAD	PS1	PS0	PT1	PX1	PT0	PX0	x0000000 B
			FF	FE	FD	FC	FB	FA	F9	F8	
IP0H	Interrupt Priority 0 high	B7H	-	PADH	PS1H	PS0H	PT1H	PX1H	PT0H	PX0H	x0000000 B
IP1*#	Interrupt Priority 1	F8h	PT2	PCAN	PCM1	PCM0	PCT3	PCT2	PCT1	PCT0	00H
IP1H	Interrupt Priority 1 high	F7H	PT2H	PCANH	PCM1H	PCM0H	PCT3H	PCT2H	PCT1H	PCT0H	00H
CANMOD	CAN Mode Register	C4H									00H
CANCON	CAN Command (w) and Interrupt (r)	C3H									00H
CANDAT	CAN Data	C2H									00H
CANADR	CAN Address	C1H									00H
			C7	C6	C5	C4	C3	C2	C1	C0	
CANSTA	CAN Status (r)	C0H	BS	ES	TS	RS	TCS	TBS	DOS	RBS	00H
	CAN Interrupt Enable (w)		BEIE	ALIE	EPIE	WUIE	DOIE	EIE	TIE	RIE	

Single-chip 8-bit microcontroller with CAN controller

P8xC591

NAME	DESCRIPTION	SFR ADDR	BIT FUNCTIONS AND ADDRESSES								RESET VALUE
			MSB				LSB				
P1M1	Port 1 output mode 1	92H									FCH
P1M2	Port 1 output mode 2	93H									00H
P2M1	Port 2 output mode 1	94H									00H
P2M2	Port 2 output mode 2	95H									00H
P3M1	Port 3 output mode 1	9AH									00H
P3M2	Port 3 output mode 2	9BH									00H
P3*	Port 3	B0H	B7	B6	B5	B4	B3	B2	B1	B0	FFH
			-	-	CSMR3	CSMR2	CSMR1	CSMR0	RT2	T2	
			RD	WR	T1	T0	INT1	INT0	TXD	RXD	
P2*	Port 2	A0H	A7	A6	A5	A4	A3	A2	A1	A0	FFH
			A15	A14	A13	A12	A11	A10	A9	A8	
			97	96	95	94	93	92	91	90	
P1*	Port 1	90H	ADC5	ADC4	ADC3	ADC2	ADC1	ADC0	-	-	FFH
			SDA	SCL	CT3I	CT2I	CT1I	CT0I	TXDC	RXDC	
			87	86	85	84	83	82	81	80	
P0*	Port 0	80H	AD7	AD6	AD5	AD4	AD3	AD2	AD1	AD0	FFH
PCON	Power Control	87H	SMOD1	SMOD0	POF	WLE	GF1	GF0	PD	IDL	00x00000B
PSW	Program Status Word	D0H	CY	AC	F0	RS1	RS0	OV	F1	P	00H
PWMP#	PWM Prescaler	FEH									00H
PWMP1#	PWM Register 1	FDH									00H
PWMP0#	PWM Register 0	FCH									00H
RTE#	Reset Enable	EFH					RP35	RP34	RP33	RP32	xxxx0000B
S0ADDR	Serial 0 Slave Address	CBh									00H
S0ADEN	Slave Address Mask	F9H									00H
SP	Stack Pointer	81H									07H
S0BUF	Serial 0 Data Buffer	99H									xxxxxxxB
S0PSL	Prescaler Value UART	FAH									00H
S0PSH	Prescaler/Value UART	FBH	SPS				Prescaler higher nibble				0xxx0000B
S0CON*	Serial 0 Control	98H	9F	9E	9D	9C	9B	9A	99	98	00H
			SM0/FE	SM1	SM2	REN	TB8	RB8	T1	R1	
S1CON#*	Serial 1 Control	D8H	CR2	ENS1	STA	ST0	S1	AA	CR1	CR0	00H
S1ADR#	Serial 1 Address	DBH	SLAVE ADDRESS							GC	00H
S1DAT#	Serial 1 Data	DAH									00H
S1STA#	Serial 1 Status	D9H	SC4	SC3	SC2	SC1	SC0	0	0	0	F8H
STE#	Set Enable	EEH	DF	DE	DD	DC	DB	DA	D9	D8	xxxx0000B
							SP35	SP34	SP33	SP32	
TH1	Timer High 1	8DH									00H
TH0	Timer High 0	8CH									00H
TL1	Timer Low 1	8BH									00H
TL0	Timer Low 0	8AH									00H
TMH2#	Timer High 2	EDH									00H
TML2#	Timer Low 2	ECH									00H

Single-chip 8-bit microcontroller with CAN controller

P8xC591

NAME	DESCRIPTION	SFR ADDR	BIT FUNCTIONS AND ADDRESSES								RESET VALUE
			MSB				LSB				
TMOD	Timer Mode	89H	GATE	C/T	M1	M0	GATE	C/T	M1	M0	00H
			8F	8E	8D	8C	8B	8A	89	88	
TCON*	Timer Control	88H	TF1	TR1	TF0	TR0	IE1	IT1	IE0	IT0	00H
TM2CON#	Timer 2 Control	EAH	T2IS1	T2IS0	T2ER	T2B0	T2P1	T2P0	T2MS1	T2MS0	00H
TM2IR#*	Timer 2/CAN Int Flag Reg	C8H	CF	CE	CD	CC	CB	CA	C9	C8	00H
			T2OV	CMI2/ CAN	CMI1	CMI0	CTI3	CTI2	CTI1	CTI0	
T3#	Timer 3	FFH									00H

Single-chip 8-bit microcontroller with CAN controller

P8xC591

7.4 Dual DPTR

The dual DPTR structure (see Figure 7) is a way by which the chip will specify the address of an external data memory location. There are two 16-bit DPTR registers that address the external memory, and a single bit called DPS = AUXR1/bit0 that allows the program code to switch between them.

The DPS bit status should be saved by software when switching between DPTR0 and DPTR1.

Note that bit 2 is not writable and is always read as a zero. This allows the DPS bit to be quickly toggled simply by executing an INC AUXR1 instruction without affecting the other bits.

DPTR Instructions

The instructions that refer to DPTR refer to the data pointer that is currently selected using the AUXR1/bit 0 register. The six instructions that use the DPTR are as follows:

INC DPTR	Increments the data pointer by 1
MCV DPTR, #data 16	Loads the DPTR with a 16-bit constant
MOV A, @ A+DPTR	Move code byte relative to DPTR to ACC
MOVX A, @ DPTR	Move external RAM (16-bit address) to ACC
MOVX @ DPTR, A	Move ACC to external RAM (16-bit address)
JMP @ A + DPTR	Jump indirect relative to DPTR

The data pointer can be accessed on a byte-by-byte basis by specifying the low or high byte in an instruction which accesses the SFRs. See application note AN458 for more details.

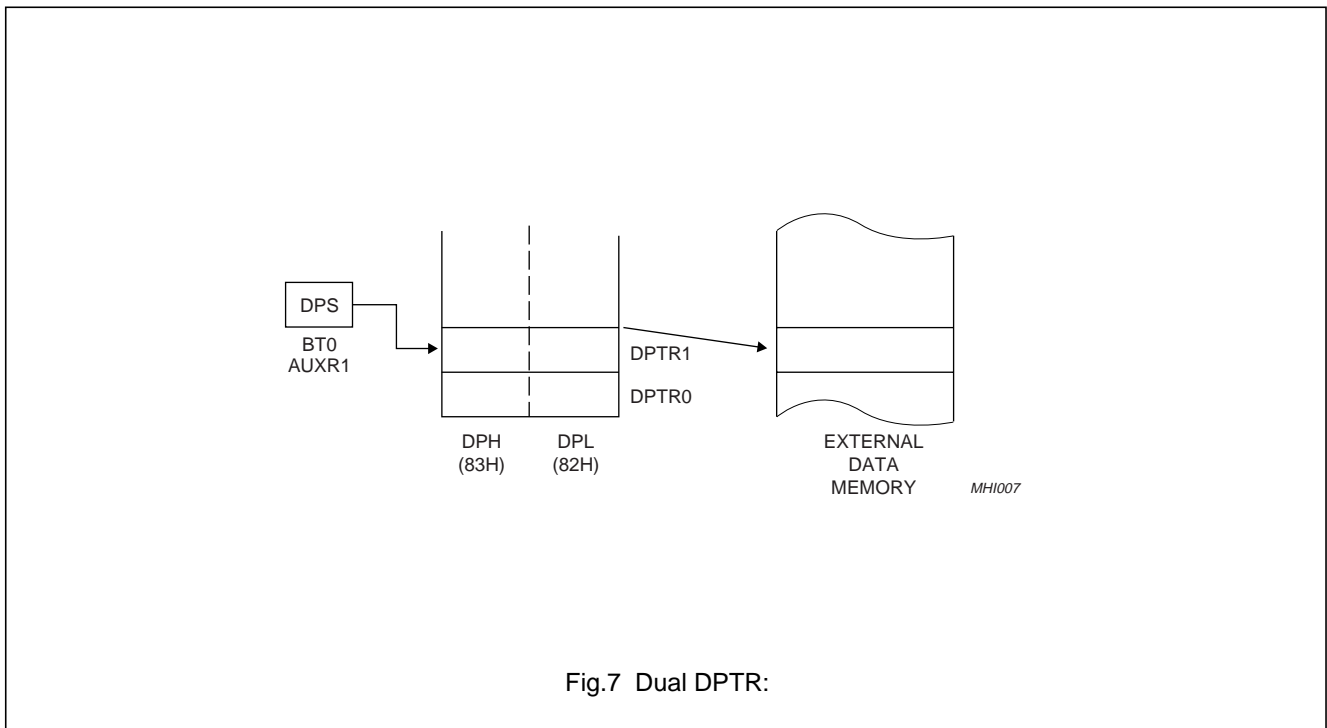


Fig.7 Dual DPTR:

Single-chip 8-bit microcontroller with CAN controller

P8xC591

7.4.1 AUXR1 PAGE REGISTER

Table 5 AUXR1 Page Register (address A2H)

7	6	5	4	3	2	1	0
ADC8	AIDL	SRST	WDE	WUPD	0	–	DSP

Table 6 Description of AUXR1 of bits

User software should not write 1s to reserved bits. These bits may be used in future 8051 family products to invoke new features. In that case, the reset or inactive value of the new bit will be logic 0, and its active value will be logic 1. The value read from a reserved bit is indeterminate. The reset value of AUXR1 is (000000xB).

BIT	SYMBOL	DESCRIPTION
7	ADC8	ADC Mode Switch. Switches between 10-bit conversion and 8-bit conversion ADC8 Operating Mode 0 10-bit conversion (50 machine cycles) 1 8-bit conversion (24 machine cycles)
6	AIDL	Enables the ADC during Idle mode.
5	SRST	Software Reset.
4	WDE	Watchdog Timer Enable Flag.
3	WUPD	Enable Wake-up from Power-down.
2	0	Reserved.
1	–	Reserved.
0	DSP	Data Pointer Switch. Switches between DPTR0 and DPTR1. ADC8 Operating Mode 0 DPTR0 1 DPTR1

Single-chip 8-bit microcontroller with CAN controller

P8xC591

8 I/O FACILITIES

The P8xC591 consists of 32 I/O Port lines with partly multiple functions. The I/O's are held HIGH during reset (asynchronous, before oscillator is running).

Ports 0, 1, 2 and 3 perform the following alternative functions:

Port 0 is the same as in the 80C51. After reset the Port Special Function Register is set to 'FFh' as known from other 80C51 derivatives. Port 0 also provides the multiplexed low-order address and data bus used for expanding the P8xC591 with standard memories and peripherals.

Port 1 supports several alternative functionalities. For this reason it has different I/O stages. Note, port P1.0 and P1.1 are Driven-High and P1.2 to P1.7 are High-Impedance (Tri-state) after reset.

Port 2 is the same as in the 80C51. After reset the Port Special Function Register is set to 'FFh' as known from other 80C51 derivatives. Port 2 also provides the high-order address bus when the P8xC591 is expanded with external Program Memory and/or external Data Memory.

Port 3 is the same as in the 80C51. During reset the Port 3 Special Function Register is set to 'FFh' as known from other 80C51 derivatives.

9 OSCILLATOR CHARACTERISTICS

XTAL1 and XTAL2 are the input and output, respectively, of an inverting amplifier. The pins can be configured for use as an on-chip oscillator, as shown in the logic symbol.

To drive the device from an external clock source, XTAL1 should be driven while XTAL2 is left unconnected. There are no requirements on the duty cycle of the external clock signal. However, minimum and maximum high and low times specified in the data sheet must be observed.

10 RESET

A reset is accomplished by holding the \overline{RST} pin LOW for at least two machine cycles (12 oscillator periods), while the oscillator is running. To insure a good power-on reset, the \overline{RST} pin must be low long enough to allow the oscillator time to start up (normally a few milliseconds) plus two machine cycles.

The \overline{RST} line can also be pulled LOW internally by a pull-down transistor activated by the watchdog timer T3. The length of the output pulse from T3 is 3 machine cycles.

A pulse of such short duration is necessary in order to recover from a processor or system fault as fast as possible.

Note that the short reset pulse from Timer T3 cannot discharge the power-on reset capacitor (see Figure 8). Consequently, when the watchdog timer is also used to set external devices, this capacitor arrangement should not be connected to the \overline{RST} pin, and a different circuit should be used to perform the power-on reset operation. A timer T3 overflow, if enabled, will force a reset condition to the P8xC591 by an internal connection, whether the output \overline{RST} is pulled-up HIGH or not.

A reset may be performed in software by setting the software reset bit, SRST (AUXR1.5).

This device also has a Power-on Detect Reset circuit as V_{CC} transitions from V_{CC} past $V_{\overline{RST}}$.

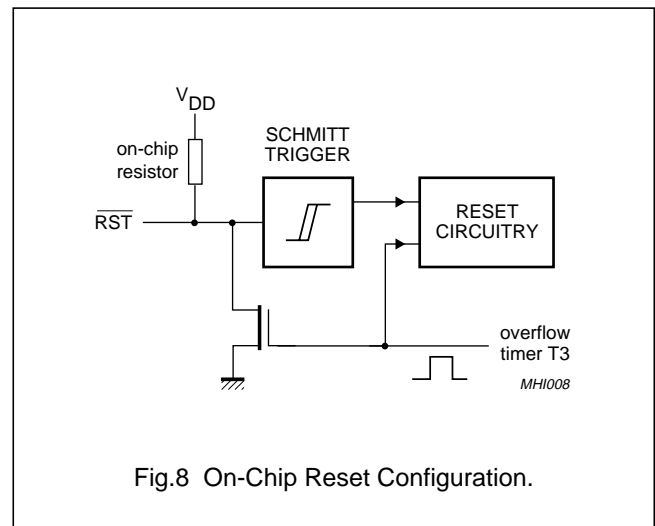


Fig.8 On-Chip Reset Configuration.

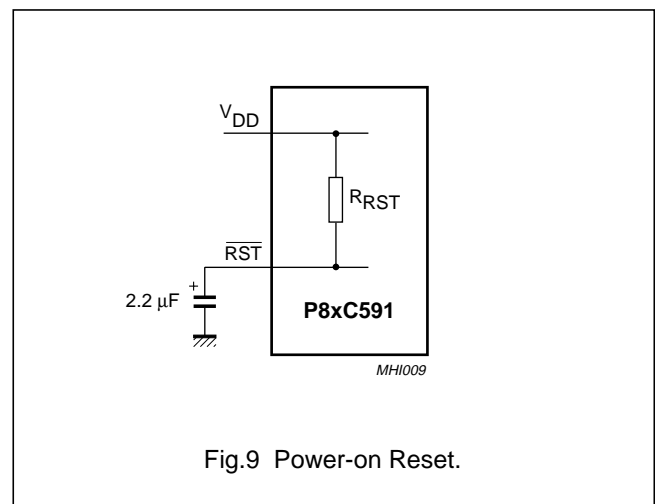


Fig.9 Power-on Reset.

Single-chip 8-bit microcontroller with CAN controller

P8xC591

11 LOW POWER MODES**11.1 Stop Clock Mode**

The static design enables the clock speed to be reduced down to 0 MHz (stopped). When the oscillator is stopped, the RAM and Special Function Registers retain their values. This mode allows step-by-step utilization and permits reduced system power consumption by lowering the clock frequency down to any value. For lowest power consumption the Power-down mode is suggested.

11.2 Idle Mode

In the Idle mode (see Table 7), the CPU puts itself to sleep while all of the on-chip peripherals stay active. The instruction to invoke the idle mode is the last instruction executed in the normal operating mode before the Idle mode is activated. The CPU contents, the on-chip RAM, and all of the special function registers remain intact during this mode. The Idle mode can be terminated either by any enabled interrupt (at which time the process is picked up at the interrupt service routine and continued), or by a hardware reset which starts the processor in the same manner as a Power-on reset.

11.3 Power-down Mode

To save even more power, a Power-down mode (see Table 7) can be invoked by software. In this mode, the oscillator is stopped and the instruction that invoked Power Down is the last instruction executed. The on-chip RAM and Special Function Registers retain their values down to 2.0 V and care must be taken to return V_{CC} to the minimum specified operating voltages before the Power-down Mode is terminated.

A hardware reset or external interrupt can be used to exit from Power-down. The Wake-up from Power-down bit, WUPD (AUXR1.3) must be set in order for an interrupt to cause a Wake-up from Power-down. Reset redefines all the SFRs but does not change the on-chip RAM. A Wake-up allows both the SFRs and the on-chip RAM to retain their values.

To properly terminate Power-down the reset or external interrupt should not be executed before V_{CC} is restored to its normal operating level and must be held active long enough for the oscillator to restart and stabilize (normally less than 10 ms).

Table 7 Status of external pins during Idle and Power-down modes

MODE	MEMORY	ALE	\overline{PSEN}	PORT 0	PORT 1	PORT 2	PORT 3	PWM0/ PWM1
Idle	internal	1	1	port data	port data	port data	port data	high
	external	1	1	float	port data	address	port data	high
Power-down	internal	0	0	port data	port data	port data	port data	high
	external	0	0	float	port data	port data	port data	high

With an external interrupt, $\overline{INT0}$ and $\overline{INT1}$ must be enabled and configured as level-sensitive. Holding the pin low restarts the oscillator but bringing the pin back high completes the exit. Once the interrupt is serviced, the next instruction to be executed after RETI will be the one following the instruction that put the device into Power-down.

Single-chip 8-bit microcontroller with CAN controller

P8xC591

11.3.1 POWER OFF FLAG

The Power Off Flag (POF) is set by on-chip circuitry when the V_{CC} level on the P8xC591 rises from 0 to 5 V. The POF bit can be set or cleared by software allowing a user to determine if the reset is the result of a power-on or warm after Power-down. The V_{CC} level must remain above 3 V for the POF to remain unaffected by the V_{CC} level.

11.3.2 DESIGN CONSIDERATION

- When the Idle mode is terminated by a hardware reset, the device normally resumes program execution, from where it left off, up to two machine cycles before the internal reset algorithm takes control. On-chip hardware inhibits access to internal RAM in this event, but access to the port pins is not inhibited. To eliminate the possibility of an unexpected write when Idle is terminated by reset, the instruction following the one that invokes Idle should not be one that writes to a port pin or to external memory.

11.3.3 ONCE™ MODE

The ONCE™ (“On-Circuit Emulation”) Mode facilities testing and debugging of systems without the device having to be removed from the circuit. The ONCE Mode is invoked by:

1. Pull ALE low while the device is in reset an $\overline{\text{PSEN}}$ is high,
2. Hold ALE low as $\overline{\text{RST}}$ is deactivated.

While the device is in ONCE Mode, the Port 0 pins go into a float state, and the other port pins and ALE and $\overline{\text{PSEN}}$ are weakly pulled high. The oscillator circuit remains active. While the device is in this mode, an emulator or test CPU can be used to drive the circuit. Normal operation is restored when a normal reset is applied.

11.3.4 REDUCED EMI MODE

The ALE-Off bit, AO (AUXR.0) can be set to 0 disable the ALE output. It will automatically become active when required for external memory accesses and resume to the OFF state after completing the external memory access.

11.3.5 POWER CONTROL REGISTER (PCON)

Table 8 Power Control Register (address 87H)

7	6	5	4	3	2	1	0
SMOD1	SMOD0	POF	WLE	GF1	GF0	PD	IDL

Table 9 Description of PCON bits

If logic 1s are written to PD and IDL at the same time, PD takes precedence. The reset value of PCON is (0XX00000).

BIT	SYMBOL	DESCRIPTION
7	SMOD1	Double Baud rate. When set to logic 1 the baud rate is doubled when the serial port SIO0 is being used in Modes 1, 2 and 3.
6	SMOD0	Double Baud rate. Selects SM0/FE for SCON.7 bit.
5	POF	Power Off flag.
4	WLE	Watchdog Load Enable. This flag must be set by software prior to loading T3 (Watchdog Timer). It is cleared when T3 is loaded.
3	GF1	General purpose flag bits.
2	GF0	
1	PD	Power-down mode select. Setting this bit activates Power-down mode. It can only be set if the Watchdog timer enable bit ‘WDE’ is set to logic 0.
0	IDL	Idle mode select. Setting this bit activates the Idle mode.

Single-chip 8-bit microcontroller with CAN controller

P8xC591

12 CAN, CONTROLLER AREA NETWORK

Controller Area Network is the definition of a high performance communication protocol for serial data communication. The CAN controller circuitry is designed to provide a full implementation of the CAN-Protocol according to the CAN Specification Version 2.0 B. Microcontroller including this on-chip CAN Controller are used to build powerful local networks, both for general industrial and automotive environments. The result is a strongly reduced wiring harness and enhanced diagnostic and supervisory capabilities.

The P8xC591 includes the same functions known from the SJA1000 stand-alone CAN Controller from Philips Semiconductors with the following improvements:

- Enhanced receive interrupt
- Enhanced acceptance filter
 - 8 filter for standard frame formats
 - 4 filter for extended formats
 - “change on the fly” feature.

12.1 Features of the PeliCAN Controller

12.1.1 GENERAL CAN FEATURES

- CAN 2.0B protocol compatibility
- Multi-master architecture
- Bus access priority determined by the message identifier (11 bit or 29 bit)
- Non destructive bit-wise arbitration
- Guaranteed latency time for high priority messages
- Programmable transfer rate (up to 1Mbit/s)
- Multicast and broadcast message facility
- Data length from 0 up to 8 bytes
- Powerful error handling capability
- Non-return-to-zero (NRZ) coding/decoding with bit-stuffing
- Suitable for use in a wide range of networks including SAE’s network classes A, B, C.

12.1.2 P8xC591 PELICAN FEATURES (ADDITIONAL TO CAN 2.0B)

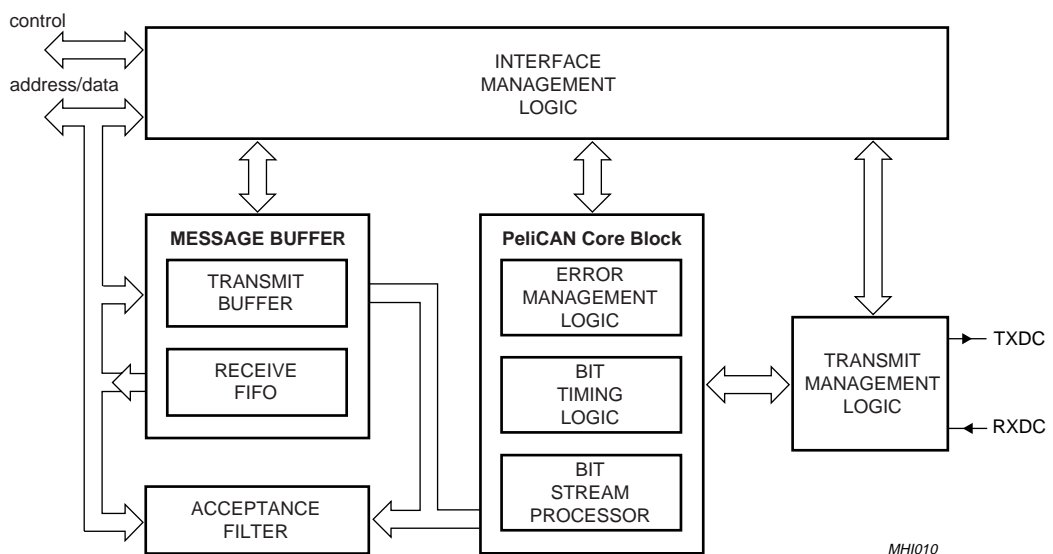
- Supports 11-bit identifier as well as 29-bit identifier
- Bit rates up to 1 Mbit/s
- Error Counters with read / write access
- Programmable Error Warning Limit
- Arbitration Lost Interrupt with detailed bit position
- Single Shot Transmission (no re-transmission)
- Listen Only Mode (no acknowledge, no active error flags)
- Hot Plugging support (software driven bit rate detection)
- Extended receive buffer (FIFO, 64 byte)
- Receive Buffer level sensitive Receive Interrupt
- High Priority Acceptance Filters for Receive Interrupt
- Acceptance Filters with “change on the fly” feature
- Reception of “own” messages (Self Reception Request)
- Programmable CAN output driver configuration

Single-chip 8-bit microcontroller with CAN controller

P8xC591

12.2 PeliCAN structure

A 80C51 CPU Interface connects the PeliCAN to the internal bus of the P8xC591 microcontroller. Via five Special Function Registers CANADR, CANDAT, CANMOD, CANSTA and CANCON the CPU has access to the PeliCAN. The SFR will be described later on.



MHI010

Fig.10 Block Diagram of the PeliCAN.

Single-chip 8-bit microcontroller with CAN controller

P8xC591

12.2.1 INTERFACE MANAGEMENT LOGIC (IML)

The Interface Management Logic interprets commands from the CPU, controls addressing of the CAN Registers and provides interrupts and status information to the CPU. Additionally it drives the universal interface of the PeliCAN.

12.2.2 TRANSMIT BUFFER (TXB)

The Transmit Buffer is an interface between the CPU and the Bit Stream Processor (BSP) and is able to store a complete CAN message which should be transmitted over the CAN network. The buffer is 13 bytes long, written by the CPU and read out by the BSP or the CPU itself.

12.2.3 RECEIVE BUFFER (RXB, RXFIFO)

The Receive Buffer is an interface between the Acceptance Filter and the CPU and stores the received and accepted messages from the CAN Bus line. The Receive Buffer (RXB) represents a CPU-accessible 13-byte-window of the Receive FIFO (RXFIFO), which has a total length of 64 bytes depending on the implementation. With the help of this FIFO the CPU is able to process one message while other messages are being received.

12.2.4 ACCEPTANCE FILTER (ACF)

The Acceptance Filter compares the received identifier with the Acceptance Filter Table contents and decides whether this message should be accepted or not. In case of a positive acceptance test, the complete message is stored in the RXFIFO. The ACF contains 4 independent Acceptance Filter banks supporting extended and standard CAN frames with "change on the fly" feature.

12.2.5 BIT STREAM PROCESSOR (BSP)

The Bit Stream Processor is a sequencer, controlling the data stream between the Transmit Buffer, RXFIFO and the CAN-Bus. It also performs the error detection, arbitration, stuffing and error handling on the CAN bus.

12.2.6 ERROR MANAGEMENT LOGIC (EML)

The EML is responsible for the error confinement of the transfer-layer modules. It gets error announcements from the BSP and then informs the BSP and IML about error statistics.

12.2.7 BIT TIMING LOGIC (BTL)

The Bit Timing Logic monitors the serial CAN bus line and handles the Bus line-related bit timing. It synchronizes to the bit stream on the CAN Bus on a "recessive" to "dominant" Bus line transition at the beginning of a message (hard synchronization) and resynchronizes on further transitions during the reception of a message (soft synchronization). The BTL also provides programmable time segments to compensate for the propagation delay times and phase shifts (e.g., due to oscillator drifts) and to define the sampling time and the number of samples to be taken within a bit time.

12.2.8 TRANSMIT MANAGEMENT LOGIC (TML)

The Transmit Management Logic provides the driver signals for the push-pull CAN TX transistor stage. Depending on the programmable output driver configuration the external transistors are switched on or off. Additionally a short circuit protection and the asynchronous float on hardware reset is performed here.

Single-chip 8-bit microcontroller with CAN controller

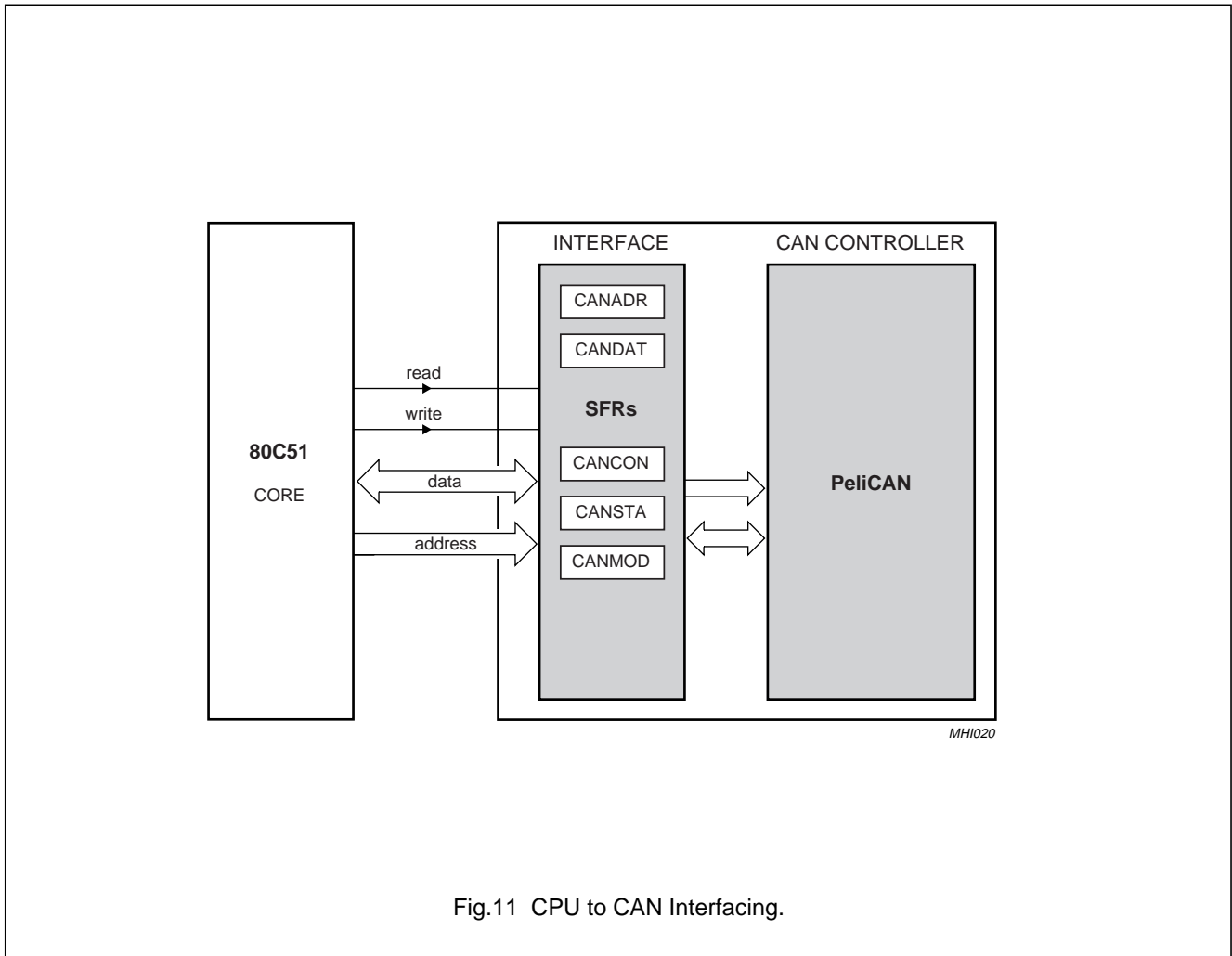
P8xC591

12.3 Communication between PeliCAN Controller and CPU

A 80C51 CPU Interface connects the PeliCAN to the internal bus of an 80C51 microcontroller. Special Function Registers, allows a smart and fast access to the PeliCAN registers and RAM area. Because of the big address range to be supported, an indirect pointer based addressing is

included allowing a fast register access with address autoincrement mode. This reduces the needed number of Special Function Registers to an amount of 5.

- Five Special Function Registers (SFRs)
- Register address generation in auto-increment mode
- Access to the complete address range of the PeliCAN



12.3.1 SPECIAL FUNCTION REGISTERS

Via the five Special Function Registers CANADR, CANDAT, CANMOD, CANSTA and CANCON the CPU has access to the PeliCAN Block. Note that CANCON and CANSTA have different registers mapped depending on the direction of the access.

The PeliCAN registers may be accessed in two different ways. The most important registers, which should support software polling or are controlling major CAN functions are accessible directly as separate SFRs. Other parts of the PeliCAN Block are accessible using an indirect pointer mechanism. In order to achieve a high data throughput even if the indirect access is used, an address auto-increment feature is included here.

Single-chip 8-bit microcontroller with CAN controller

P8xC591

Table 10 CAN Special Function Registers

SFR	ACCESS	PELICAN REG.	BIT7	BIT6	BIT5	BIT4	BIT3	BIT2	BIT1	BIT0	SFR ADDR
CANADR	Read/Write	-	CANA7	CANA6	CANA5	CANA4	CANA3	CANA2	CANA1	CANA0	C1
CANDAT	Read/Write	-	CAND7	CAND6	CAND5	CAND4	CAND3	CAND2	CAND1	CAND0	C2
CANMOD	Read/Write	Mode	TM	RIPM	RPM	SM	-	STM	LOM	RM	C4
CANSTA	Read/Write	Status Interrupt Enable	BS BEIE	ES ALIE	TS EPIE	RS WUIE	TCS DOIE	TBS EIE	DOS TIE	RBS RIE	C0
CANCON	Read/Write	Interrupt Command	BEI -	ALI -	EPI -	WUI SRR	DOI CDO	EI RRB	TI AT	RI TR	C3

12.3.2 CANADR

This read/write register defines the address of one of the Pelican internal registers to be accessed via CANDAT. It could be interpreted as a pointer to the Pelican. The read and write access to the Pelican Block register is performed using the CANDAT register.

With the implemented auto address increment mode a fast stack-like reading and writing of CAN Controller internal registers is provided. If the currently defined address within CANADR is above or equal to 32 decimal, the content of CANADR is incremented automatically after any read or write access to CANDAT. For instance, loading a message into the Transmit Buffer can be done by writing the first Transmit Buffer Address (112 decimal) into CANADR and then moving byte by byte of the message to CANDAT. Incrementing CANADR beyond FFh resets CANADR to 00h.

In case CANADR is below 32 decimal, there is no automatic address incrementation performed. CANADR keeps its value even if CANDAT is accessed for reading or writing. This is to allow polling of registers in the lower address space of the Pelican Controller.

12.3.3 CANDAT REGISTER

CANDAT is implemented as a read/write register.

The Special Function Register CANDAT appears as a port to the CAN Controller's internal register (memory location) being selected by CANADR. Reading or writing CANDAT is effectively an access to that Pelican internal register,

which is selected by CANADR. CANDAT is implemented as a read/write register.

Note that any access to this register automatically increments CANADR if the current address within CANADR is above or equal to 32 decimal.

12.3.4 CANMOD

With a read or write access to CANMOD the Mode Register of the Pelican is accessed directly. The Mode register is located at address 00h within the Pelican Block.

12.3.5 CANSTA

The CANSTA SFR provides a direct access to the Status Register of the Pelican as well as to the Interrupt Enable Register, depending on the direction of the access.

Reading CANSTA is an access to the Status Register of the Pelican (address 2). When writing to CANSTA the Interrupt Enable Register is accessed (address 4).

12.3.6 CANCON

The CANCON SFR provides a direct access to the Interrupt Register of the Pelican as well as to the Command register, depending on the direction of the access.

When reading CANCON the Interrupt Register of the Pelican is accessed (address 3), while writing to CANCON means an access to the Command Register (address 01).

Single-chip 8-bit microcontroller with CAN controller

P8xC591

12.4 Register and Message Buffer description

12.4.1 ADDRESS LAYOUT

The PeliCAN internal registers appear to the host CPU as on-chip memory mapped peripheral registers. Because the PeliCAN can operate in different modes (Operating / Reset, see also Mode Register), one have to distinguish between different internal address definitions. Starting from CAN Address 128 the complete internal FIFO RAM is mapped to the CPU Interface.

Table 11 Address allocation

CAN ADDR.	OPERATING MODE		RESET MODE		
	READ	WRITE	READ	WRITE	
0	Mode	Mode	Mode	Mode	
1	(00)	Command	(00)	Command	
2	Status	-	Status	-	
3	Interrupt	-	Interrupt	-	
4	Interrupt Enable	Interrupt Enable	Interrupt Enable	Interrupt Enable	
5	Rx Interrupt Level	Rx Interrupt Level	Rx Interrupt Level	Rx Interrupt Level	
6	Bus Timing 0	-	Bus Timing 0	Bus Timing 0	
7	Bus Timing 1	-	Bus Timing 1	Bus Timing 1	
8	See Note 2	-	-	-	
9	Rx Message Counter	-	Rx Message Counter	-	
10	Rx Buffer Start Address	-	Rx Buffer Start Address	-	
11	Arbitration Lost Capture	-	Arbitration Lost Capture	-	
12	Error Code Capture	-	Error Code Capture	-	
13	Error Warning Limit	Error Warning Limit	Error Warning Limit	Error Warning Limit	
14	Rx Error Counter	-	Rx Error Counter	Rx Error Counter	
15	TX Error Counter	-	TX Error Counter	TX Error Counter	
16 to 28	reserved (00)	-	reserved (00)	-	
29	ACF Mode	-	ACF Mode	ACF Mode	
30	ACF Enable	ACF Enable	ACF Enable	ACF Enable	
31	ACF Priority	ACF Priority	ACF Priority	ACF Priority	
32	B A N K 1	Acceptance Code 0	Acceptance Code 0	Acceptance Code 0	
33		Acceptance Code 1	Acceptance Code 1	Acceptance Code 1	
34		Acceptance Code 2	Acceptance Code 2	Acceptance Code 2	
35		Acceptance Code 3	Acceptance Code 3	Acceptance Code 3	
36		Acceptance Mask 0	Acceptance Mask 0	Acceptance Mask 0	
37		Acceptance Mask 1	Acceptance Mask 1	Acceptance Mask 1	
38		Acceptance Mask 2	Acceptance Mask 2	Acceptance Mask 2	
39		Acceptance Mask 3	Acceptance Mask 3	Acceptance Mask 3	
40		Acceptance Code 0	Acceptance Code 0	Acceptance Code 0	Acceptance Code 0
41		Acceptance Code 1	Acceptance Code 1	Acceptance Code 1	Acceptance Code 1
42		Acceptance Code 2	Acceptance Code 2	Acceptance Code 2	Acceptance Code 2
43		Acceptance Code 3	Acceptance Code 3	Acceptance Code 3	Acceptance Code 3
44		Acceptance Mask 0	Acceptance Mask 0	Acceptance Mask 0	Acceptance Mask 0
45		Acceptance Mask 1	Acceptance Mask 1	Acceptance Mask 1	Acceptance Mask 1
46	Acceptance Mask 2	Acceptance Mask 2	Acceptance Mask 2	Acceptance Mask 2	
47	Acceptance Mask 3	Acceptance Mask 3	Acceptance Mask 3	Acceptance Mask 3	

Single-chip 8-bit microcontroller with CAN controller

P8xC591

CAN ADDR.	OPERATING MODE				RESET MODE				
	READ		WRITE		READ		WRITE		
48	Acceptance Code 0		Acceptance Code 0		Acceptance Code 0		Acceptance Code 0		
49	Acceptance Code 1		Acceptance Code 1		Acceptance Code 1		Acceptance Code 1		
50	B A N K 3	Acceptance Code 2		Acceptance Code 2		Acceptance Code 2		Acceptance Code 2	
51		Acceptance Code 3		Acceptance Code 3		Acceptance Code 3		Acceptance Code 3	
52		Acceptance Mask 0		Acceptance Mask 0		Acceptance Mask 0		Acceptance Mask 0	
53		Acceptance Mask 1		Acceptance Mask 1		Acceptance Mask 1		Acceptance Mask 1	
54		Acceptance Mask 2		Acceptance Mask 2		Acceptance Mask 2		Acceptance Mask 2	
55		Acceptance Mask 3		Acceptance Mask 3		Acceptance Mask 3		Acceptance Mask 3	
56		Acceptance Code 0		Acceptance Code 0		Acceptance Code 0		Acceptance Code 0	
57	Acceptance Code 1		Acceptance Code 1		Acceptance Code 1		Acceptance Code 1		
58	B A N K 4	Acceptance Code 2		Acceptance Code 2		Acceptance Code 2		Acceptance Code 2	
59		Acceptance Code 3		Acceptance Code 3		Acceptance Code 3		Acceptance Code 3	
60		Acceptance Mask 0		Acceptance Mask 0		Acceptance Mask 0		Acceptance Mask 0	
61		Acceptance Mask 1		Acceptance Mask 1		Acceptance Mask 1		Acceptance Mask 1	
62		Acceptance Mask 2		Acceptance Mask 2		Acceptance Mask 2		Acceptance Mask 2	
63	Acceptance Mask 3		Acceptance Mask 3		Acceptance Mask 3		Acceptance Mask 3		
64 to 95	reserved (00)		-		reserved (00)		-		
	(SFF)	(EFF)			(SFF)	(EFF)	(SFF)	(EFF)	
96	Rx Frame Info	Rx Frame Info	-		Rx Frame Info	Rx Frame Info	Rx Frame Info	Rx Frame Info	
97	Rx Identifier 1	Rx Identifier 1	-		Rx Identifier 1	Rx Identifier 1	Rx Identifier 1	Rx Identifier 1	
98	Rx Identifier 2	Rx Identifier 2	-		Rx Identifier 2	Rx Identifier 2	Rx Identifier 2	Rx Identifier 2	
99	Rx Data 1	Rx Identifier 3	-		Rx Data 1	Rx Identifier 3	Rx Data 1	Rx Identifier 3	
100	Rx Data 2	Rx Identifier 4	-		Rx Data 2	Rx Identifier 4	Rx Data 2	Rx Identifier 4	
101	Rx Data 3	Rx Data 1	-		Rx Data 3	Rx Data 1	Rx Data 3	Rx Data 1	
102	Rx Data 4	Rx Data 2	-		Rx Data 4	Rx Data 2	Rx Data 4	Rx Data 2	
103	Rx Data 5	Rx Data 3	-		Rx Data 5	Rx Data 3	Rx Data 5	Rx Data 3	
104	Rx Data 6	Rx Data 4	-		Rx Data 6	Rx Data 4	Rx Data 6	Rx Data 4	
105	Rx Data 7	Rx Data 5	-		Rx Data 7	Rx Data 5	Rx Data 7	Rx Data 5	
106	Rx Data 8	Rx Data 6	-		Rx Data 8	Rx Data 6	Rx Data 8	Rx Data 6	
107	(FIFO RAM) ⁽¹⁾	Rx Data 7	-		(FIFO RAM) ⁽¹⁾	Rx Data 7	(FIFO RAM) ⁽¹⁾	Rx Data 7	
108	(FIFO RAM) ⁽¹⁾	Rx Data 8	-		(FIFO RAM) ⁽¹⁾	Rx Data 8	(FIFO RAM) ⁽¹⁾	Rx Data 8	
109 to 111	reserved (00)		-		reserved (00)		-		
	(SFF)	(EFF)			(SFF)	(EFF)	(SFF)	(EFF)	
112	Tx Frame Info	Tx Frame Info	Tx Frame Info	Tx Frame Info	Tx Frame Info	Tx Frame Info	Tx Frame Info	Tx Frame Info	
113	Tx Identifier 1	Tx Identifier 1	Tx Identifier 1	Tx Identifier 1	Tx Identifier 1	Tx Identifier 1	Tx Identifier 1	Tx Identifier 1	
114	Tx Identifier 2	Tx Identifier 2	Tx Identifier 2	Tx Identifier 2	Tx Identifier 2	Tx Identifier 2	Tx Identifier 2	Tx Identifier 2	

Single-chip 8-bit microcontroller with CAN controller

P8xC591

CAN ADDR.	OPERATING MODE				RESET MODE			
	READ		WRITE		READ		WRITE	
115	Tx Data 1	Tx Identifier 3	Tx Data 1	Tx Identifier 3	Tx Data 1	Tx Identifier 3	Tx Data 1	Tx Identifier 3
116	Tx Data 2	Tx Identifier 4	Tx Data 2	Tx Identifier 4	Tx Data 2	Tx Identifier 4	Tx Data 2	Tx Identifier 4
117	Tx Data 3	Tx Data 1	Tx Data 3	Tx Data 1	Tx Data 3	Tx Data 1	Tx Data 3	Tx Data 1
118	Tx Data 4	Tx Data 2	Tx Data 4	Tx Data 2	Tx Data 4	Tx Data 2	Tx Data 4	Tx Data 2
119	Tx Data 5	Tx Data 3	Tx Data 5	Tx Data 3	Tx Data 5	Tx Data 3	Tx Data 5	Tx Data 3
120	Tx Data 6	Tx Data 4	Tx Data 6	Tx Data 4	Tx Data 6	Tx Data 4	Tx Data 6	Tx Data 4
121	Tx Data 7	Tx Data 5	Tx Data 7	Tx Data 5	Tx Data 7	Tx Data 5	Tx Data 7	Tx Data 5
122	Tx Data 8	Tx Data 6	Tx Data 8	Tx Data 6	Tx Data 8	Tx Data 6	Tx Data 8	Tx Data 6
123	(TXB Memory)	Tx Data 7	(TXB Memory)	Tx Data 7	(TXB Memory)	Tx Data 7	(TXB Memory)	Tx Data 7
124	(TXB Memory)	Tx Data 8	(TXB Memory)	Tx Data 8	(TXB Memory)	Tx Data 8	(TXB Memory)	Tx Data 8
125 to 127	General purpose RAM		General purpose RAM		General purpose RAM		General purpose RAM	
128	Internal RAM Address 0 (FIFO)		-		Internal RAM Address 0 (FIFO)		Internal RAM Address 0 (FIFO)	
...	...		-		
191	Internal RAM Address 63 (FIFO)		-		Internal RAM Address 63 (FIFO)		Internal RAM Address 63 (FIFO)	

Notes

1. These address locations reflect the FIFO RAM space behind the current message. The contents are randomly after power-up and contain the beginning of the next message that is received after the current one. If no further message is received, parts of old messages may occur here.
2. Register at address 8 performs NO system function; reserved for future use.

Single-chip 8-bit microcontroller with CAN controller

P8xC591

12.5 CAN Registers

12.5.1 RESET VALUES

Detection of a set Reset Mode bit results in aborting the current transmission / reception of a message and entering the Reset Mode. On the '1'-to-'0' transition of the Reset Mode bit, the CAN Controller returns to the mode defined within the Mode Register.

Table 12 Reset mode configuration

"X" means that the values of these registers or bits are not influenced.

ADDR.	REGISTER	BIT	SYMBOL	NAME	RESET BY HARDWARE	SETTING MOD.0 BY SOFTWARE OR DUE TO BUS-OFF
0	Mode	MOD.7 MOD.6 MOD.5 MOD.4 MOD.3 MOD.2 MOD.1 MOD.0	TM RIPM RPM SM - STM LOM RM	Test Mode Receive Interrupt Pulse Mode Receive Polarity Mode Sleep Mode - Self Test Mode Listen Only Mode Reset Mode	0 (disabled) X no change 0 (active low) 0 (wake-up) 0 (reserved) 0 (normal) 0 (normal) 1 (present)	0 (disabled) X no change 0 (active high) 0 (wake-up) 0 (reserved) X no change X no change 1 (present)
1	Command	CMR.7-5 CMR.4 CMR.3 CMR.2 CMR.1 CMR.0	- SRR CDO RRB AT TR	- Self Reception Request Clear Data Overrun Release Receive Buffer Abort Transmission Transmission Request	0 (reserved) 0 (absent) 0 (no action) 0 (no action) 0 (absent) 0 (absent)	0 (reserved) 0 (absent) 0 (no action) 0 (no action) 0 (absent) 0 (absent)
2	Status	SR.7 SR.6 SR.5 SR.4 SR.3 SR.2 SR.1 SR.0	BS ES TS RS TCS TBS DOS RBS	Bus Status Error Status Transmit Status Receive Status Transmission Complete Status Transmit Buffer Status Data Overrun Status Receive Buffer Status	0 (Bus-On) 0 (ok) 1 (wait idle) 1 (wait idle) 1 (complete) 1 (released) 0 (absent) 0 (empty)	0 (reset) 0 (reset) 0 (reset) 0 (reset) 0 (reset) X no change ⁽¹⁾ 0 (reset) 0 (reset)
3	Interrupt	IR.7 IR.6 IR.5 IR.4 IR.3 IR.2 IR.1 IR.0	BEI ALI EPI WUI DOI EI TI RI	Bus Error Interrupt Arbitration Lost Interrupt Error Passive Interrupt Wake-Up Interrupt Data Overrun Interrupt Error Warning Interrupt Transmit Interrupt Receive Interrupt	0 (reset) 0 (reset) 0 (reset) 0 (reset) 0 (reset) 0 (reset) 0 (reset) 0 (reset)	X no change ⁽¹⁾ 0 (reset) 0 (reset) 0 (reset) 0 (reset) X no change 0 (reset) 0 (reset)
4	Interrupt Enable	IER.7 IER.6 IER.5 IER.4 IER.3 IER.2 IER.1 IER.0	BEIE ALIE EPIE WUIE DOIE EIE TIE RIE	Bus Error Interrupt Enable Arbitr. Lost Interrupt Enable Error Passive Interrupt Wake-Up Interrupt Enable Data Overrun Interrupt Enable Error Warning Interrupt Enable Transmit Interrupt Enable Receive Interrupt Enable	X no change X no change X no change X no change X no change X no change X no change X no change	X no change X no change X no change X no change X no change X no change X no change X no change
5	Rx Interrupt Level	-	RIL	Rx Interrupt Level	0000000b	X no change
6	Bus Timing 0	BTR0.7 BTR0.6 BTR0.5 BTR0.4 BTR0.3 BTR0.2 BTR0.1 BTR0.0	SJW.1 SJW.0 BRP.5 BRP.4 BRP.3 BRP.2 BRP.1 BRP.0	Synchronization Jump Width 1 Synchronization Jump Width 0 Baud Rate Prescaler 5 Baud Rate Prescaler 4 Baud Rate Prescaler 3 Baud Rate Prescaler 2 Baud Rate Prescaler 1 Baud Rate Prescaler 0	X no change X no change X no change X no change X no change X no change X no change X no change	X no change X no change X no change X no change X no change X no change X no change X no change
7	Bus Timing 1	BTR1.7 BTR1.6 BTR1.5 BTR1.4 BTR1.3 BTR1.2 BTR1.1 BTR1.0	SAM TSEG2.2 TSEG2.1 TSEG2.0 TSEG1.3 TSEG1.2 TSEG1.1 TSEG1.0	Sampling Time Segment 2.2 Time Segment 2.1 Time Segment 2.0 Time Segment 1.3 Time Segment 1.2 Time Segment 1.1 Time Segment 1.0	X no change X no change X no change X no change X no change X no change X no change X no change	X no change X no change X no change X no change X no change X no change X no change X no change

Single-chip 8-bit microcontroller with CAN controller

P8xC591

ADDR.	REGISTER	BIT	SYMBOL	NAME	RESET BY HARDWARE	SETTING MOD.0 BY SOFTWARE OR DUE TO BUS-OFF	
9	Rx Message Counter	–	RMC	Rx Message Counter	0	0	
10	Rx Buffer Start Address	–	RBSA	Rx Buffer Start Address	00000000 _b	X no change	
11	Arbitr. Lost Capture	–	ALC	Arbitration Lost Capture	0	X no change	
12	Error Code Capture	–	ECC	Error Code Capture	0	X no change	
13	Error Warning Limit	–	EWLR	Error Warning Limit Register	96d	X no change	
14	Rx Error Counter	–	RXERR	Receive Error Counter	0 (reset)	X no change ⁽²⁾	
15	Tx Error Counter	–	TXERR	Transmit Error Counter	0 (reset)	X no change ⁽²⁾	
29	ACF Mode	ACFMOD.7 ACFMOD.6 ACFMOD.5 ACFMOD.4 ACFMOD.3 ACFMOD.2 ACFMOD.1 ACFMOD.0	MFORMATB4 AMODEB4 MFORMATB3 AMODEB3 MFORMATB2 AMODEB2 MFORMATB1 AMODEB1	Message Format Bank4 Accept. Filt. Mode Bank Message Format Bank3 Accept. Filt. Mode Bank3 Message Format Bank2 Accept. Filt. Mode Bank2 Message Format Bank1 Accept. Filt. Mode Bank1	0 (SFF) 0 (dual) 0 (SFF) 0 (dual) 0 (SFF) 0 (dual) 0 (SFF) 0 (dual)	X no change X no change X no change X no change X no change X no change X no change X no change	
30	ACF Enable	ACFEN.7 ACFEN.6 ACFEN.5 ACFEN.4 ACFEN.3 ACFEN.2 ACFEN.1 ACFEN.0	B4F2EN B4F1EN B3F2EN B3F1EN B2F2EN B2F1EN B1F2EN B1F1EN	Bank 4 Filter 2 Enable Bank 4 Filter 1 Enable Bank 3 Filter 2 Enable Bank 3 Filter 1 Enable Bank 2 Filter 2 Enable Bank 2 Filter 1 Enable Bank 1 Filter 2 Enable Bank 1 Filter 1 Enable	X no change X no change X no change X no change X no change X no change X no change X no change	X no change X no change X no change X no change X no change X no change X no change X no change	
31	ACF Priority	ACFPRI0.7 ACFPRI0.6 ACFPRI0.5 ACFPRI0.4 ACFPRI0.3 ACFPRI0.2 ACFPRI0.1 ACFPRI0.0	B4F2PRIO B4F1PRIO B3F2PRIO B3F1PRIO B2F2PRIO B2F1PRIO B1F2PRIO B1F1PRIO	Bank 4 Filter 2 Priority Bank 4 Filter 1 Priority Bank 3 Filter 2 Priority Bank 3 Filter 1 Priority Bank 2 Filter 2 Priority Bank 2 Filter 1 Priority Bank 1 Filter 2 Priority Bank 1 Filter 1 Priority	X no change X no change X no change X no change X no change X no change X no change X no change	X no change X no change X no change X no change X no change X no change X no change X no change	
32 to 35	Bank 1	ACR 0 to 3	–	ACR0 to ACR3	Acceptance Code Register	X no change	X no change
36 to 39		AMR 0 to 3	–	AMR0 to AMR3	Acceptance Mask Register	X no change	X no change
40 to 43	Bank 2	ACR 0 to 3	–	ACR0 to ACR3	Acceptance Code Register	X no change	X no change
44 to 47		AMR 0 to 3	–	AMR0 to AMR3	Acceptance Mask Register	X no change	X no change
48 to 51	Bank 3	ACR 0 to 3	–	ACR0 to ACR3	Acceptance Code Register	X no change	X no change
52 to 55		AMR 0 to 3	–	AMR0 to AMR3	Acceptance Mask Register	X no change	X no change
56 to 59	Bank 4	ACR 0 to 3	–	ACR0 to ACR3	Acceptance Code Register	X no change	X no change
60 to 63		AMR 0 to 3	–	AMR0 to AMR3	Acceptance Mask Register	X no change	X no change
96 to 108	Rx Buffer	–	RXB	Receive Buffer	X empty ⁽³⁾	X empty ⁽³⁾	
112 to 124	Tx Buffer	–	TXB	Transmit Buffer	X no change	X no change	
125 to 127	General Purpose RAM	–	–	General Purpose RAM	X no change	X no change	

Notes

- On Bus-Off the Error Warning Interrupt is set, if enabled.
- If the Reset Mode was entered due to a Bus-off condition, the Receive Error Counter is cleared and the Transmit Error Counter is initialized to 127 to count-down the CAN-defined Bus-off recovery time consisting of 128 occurrences of 11 consecutive recessive bits.
- Internal read/write pointers of the RXFIFO are reset to their initial values. A subsequent read access to the RXB would show undefined data values (parts of old messages). If a message is transmitted, this message is written in parallel to the Receive Buffer. A Receive Interrupt is generated only, if this transmission was forced by the Self Reception Request. So, even if the Receive Buffer is empty, the last transmitted message may be read from the Receive Buffer until it is overridden by the next received or transmitted message. Upon a Hardware Reset, the RXFIFO pointers are reset to the physical RAM address "0". Setting CR.0 by software or due to the Bus-Off event will reset the RXFIFO pointers to the currently valid FIFO Start Address (RBSA Register) which is different from the RAM address "0" after the first Release Receive Buffer command.

Single-chip 8-bit microcontroller with CAN controller

P8xC591

12.5.2 MODE REGISTER (MOD)

The contents of the Mode Register are used to change the behaviour of the CAN Controller. Bits may be set or reset by the CPU that uses the Mode Register as a read / write memory. Reserved Bits are read as "0".

Table 13 Mode Register (MOD) CAN Addr. 0 bit interpretation

BIT	SYMBOL	NAME	VALUE	FUNCTION
MOD.7	TM	Test Mode; Note 1	1 (activated) 0 (disabled)	The TX0 pin will reflect the bit, detected on RX pin, with the next positive edge of the system clock. TN0 and TP0 are configured according the setting of OCR. The TXDC output directly reflects RXDC. The RPM bit has no influence within this mode.
MOD.6	RIPM	Reserved.	–	–
MOD.5	RPM	Receive Polarity Mode	1 (high active) 0 (low active)	RXD inputs are active high (dominant = 1). RXD inputs are active low (dominant = 0).
MOD.4	SM	Sleep Mode; Note 2	1 (high active)) 0 (low active)	The PeliCAN Block enters Sleep Mode if no CAN interrupt is pending and there is no bus activity.
MOD.3	–	reserved	–	–
MOD.2	STM	Self Test Mode; Note 1	1 (self test) 0 (normal)	In this mode a full node test is possible without any other active node on the bus using the Self Reception Request command. The CAN Controller will perform a successful transmission, even if there is no acknowledge received. An acknowledge is required for successful transmission.
MOD.1	LOM	Listen Only Mode; Notes 1 and 3	1 (reset) 0 (normal)	In this mode the CAN would give no acknowledge to the CAN bus, even if a message is received successfully. No active error flags are driven to the bus. The error counters are stopped at the current value. Normal communication.
MOD.0	RM	Reset Mode; Note 4	1 (reset) 0 (normal)	Setting the Reset Mode bit results in aborting the current transmission/reception of a message and entering the Reset Mode. On the '1'-to-'0' transition of the Reset Mode bit, the CAN Controller returns to the Operating Mode.

Notes

1. A write access to the bits MOD.1, MOD.2, MOD.5, MOD.6 and MOD.7 is possible only, if the Reset Mode is entered previously.
2. The PeliCAN Block will enter Sleep Mode, if the Sleep Mode bit is set '1' (sleep), there is no bus activity and no interrupt is pending. Setting of SM with at least one of the previously mentioned exceptions valid will result in a wake-up interrupt. The CAN block will wake up if SM is set LOW (wake-up) or there is bus activity. On wake-up, a Wake-up Interrupt is generated. A sleeping CAN block which wakes up due to bus activity will not be able to receive this message until it detects 11 consecutive recessive bits (Bus-Free sequence). Note that setting of SM is not possible in Reset Mode. After clearing of Reset Mode, setting of SM is possible first, when Bus-Free is detected again.

Single-chip 8-bit microcontroller with CAN controller

P8xC591

3. This mode of operation forces the CAN Controller to be error passive. Message Transmission is not possible. The Listen Only Mode can be used e.g. for software driven bit rate detection and "hot plugging".
4. During a Hardware reset or when the Bus Status bit is set '1' (Bus-Off), the Reset Mode bit is set '1' (present). During an external reset the CPU cannot set the Reset Mode bit '0' (absent). Therefore, after having set the Reset Mode bit '0', the CPU must check this bit to ensure that the external reset pin is not being held HIGH. After the Reset Mode bit is set '0' the CAN Controller will wait for:
 - a) one occurrence of Bus-Free signal (11 recessive bits), if the preceding reset has been caused by Hardware reset or a CPU-initiated reset.
 - b) 128 occurrences of Bus-Free, if the preceding reset has been caused by a CAN Controller initiated Bus-Off, before re-entering the Bus-On mode

12.5.3 COMMAND REGISTER (CMR)

The contents of the Command Register are used to change the behaviour of the CAN Controller. Control bits may be set or reset by the CPU which uses the Command Register as a read/write memory.

Table 14 Command Register (CMR) CAN Addr. 1, bit interpretation

BIT	SYMBOL	NAME	VALUE	FUNCTION
CMR.7 to CMR.5	-	reserved	-	
CMR.4	SRR	Self Reception Request; Notes 1 and 6	1 (present) 0 (absent)	A message shall be transmitted and received simultaneously.
CMR.3	CDO	Clear Data Overrun; Note 2	1 (clear) 0 (no action)	The Data Overrun Status bit is cleared.
CMR.2	RRB	Release Receive Buffer; Note 3	1 (released) 0 (no action)	The Receive Buffer, representing the message memory space in the RXFIFO is released.
CMR.1	AT	Abort Transmission; Notes 4 and 6	1 (present) 0 (absent)	If not already in progress, a pending Transmission Request is cancelled.
CMR.0	TR	Transmission Request; Notes 5 and 6	1 (present) 0 (absent)	A message shall be transmitted.

Notes

1. Upon Self Reception Request a message is transmitted and simultaneously received if the acceptance filter is set to the corresponding identifier. A receive and a transmit interrupt will indicate correct self reception. (see also Self Test Mode in Mode Register).
2. This command bit is used to clear the Data Overrun condition signalled by the Data Overrun Status bit. As long as the Data Over run Status bit is set no further Data Overrun Interrupt is generated.
3. After reading the contents of the Receive Buffer, the CPU can release this memory space of the RXFIFO by setting the Release Receive Buffer bit '1'. This may result in another message becoming immediately available within the Receive Buffer. If there is no other message available, the Receive Interrupt bit is reset. The Receive Interrupt is also reset in case there is no "high priority" message available within the FIFO (see acceptance filter description) and the available message bytes are equal to or less to the specified value within the Receive Interrupt Level Register. If the RRB command is given, it will take at least 2 internal clock cycles before a new receive interrupt is generated and Rx Buffer Start Address is updated.

Single-chip 8-bit microcontroller with CAN controller

P8xC591

4. The Abort Transmission bit is used when the CPU requires the suspension of the previously requested transmission, e.g. to transmit a more urgent message before. A transmission already in progress is not stopped. In order to see if the original message had been either transmitted successfully or aborted, the Transmission Complete Status bit should be checked. This should be done after the Transmit Buffer Status bit has been set '1' or a Transmit Interrupt has been generated.
5. If the Transmission Request or the Self Reception Request bit was set '1' in a previous command, it cannot be cancelled by setting the Transmission Request bit '0'. The requested transmission may be cancelled by setting the Abort Transmission bit '1'.
6. Setting the command bits CMR.0 and CMR.1 simultaneously results in transmitting a message once. No re-transmission will be performed in case of an error or arbitration lost (single shot transmission). Setting the command bits CMR.4 and CMR.1 simultaneously results in sending the transmit message once using the self reception feature. No re-transmission will be performed in case of an error or arbitration lost. Setting the command bits CMR.0, CMR.1 and CMR.4 simultaneously results in transmitting a message once as described for CMR.0 and CMR.1. The moment the Transmit Status bit is set within the Status Register, the internal Transmission Request Bit is cleared automatically. Setting CMR.0 and CMR.4 simultaneously will ignore the set CMR.4 bit.

12.5.4 STATUS REGISTER (SR)

The content of the Status Register reflects the status of the CAN Controller. The Status Register appears to the CPU as a read only memory.

Table 15 Status Register (SR) CAN Addr. 2, bit interpretation

BIT	SYMBOL	NAME	VALUE	FUNCTION
SR.7	BS	Bus Status; Note 1	1 (Bus-Off) 0 (Bus-On)	The CAN Controller is not involved in bus activities. The CAN Controller is involved in bus activities
SR.6	ES	Error Status; Note 2	1 (error) 0 (ok)	At least one of the error counters has reached or exceeded the CPU warning limit (96). Both error counters are below the warning limit.
SR.5	TS	Transmit Status; Note 3	1 (transmit) 0 (idle)	The CAN Controller is transmitting a message.
SR.4	RS	Receive Status; Note 3	1 (receive) 0 (idle)	The CAN Controller is receiving a message.
SR.3	TCS	Transmission Complete Status; Note 4	1 (complete) 0 (incomplete)	Last requested transmission has been successfully completed. Previously requested transmission is not yet completed
SR.2	TBS	Transmit Buffer Status; Note 5	1 (released) 0 (locked)	The CPU may write a message into the Transmit Buffer. The CPU cannot access the Transmit Buffer. A message is either waiting for transmission or is in transmitting process.
SR.1	DOS	Data Overrun Status; Note 6	1 (overflow) 0 (absent)	A message was lost because there was not enough space for that message in the RXFIFO. No data overrun has occurred since the last Clear Data Overrun command was given
SR.0	RBS	Receive Buffer Status; Note 7	1 (full) 0 (empty)	One or more complete messages are available in the RXFIFO. No message is available.

Single-chip 8-bit microcontroller with CAN controller**P8xC591**

Notes to Table 15:

1. When the Transmit Error Counter exceeds the limit of 255, the Bus Status bit is set '1' (Bus-Off), the CAN Controller will set the Reset Mode bit '1' (present), an Error Warning and a Bus Error Interrupt is generated, if enabled. The Receive Error Counter is set to '127'. It will stay in this mode until the CPU clears the Reset Request bit. Once this is completed the CAN Controller will wait the minimum protocol-defined time (128 occurrences of the Bus-Free signal) counting down the Receive Error Counter. After that the Bus Status bit is cleared (Bus-On), the Error Status bit is set '0' (ok), the Error Counters are reset and an Error Interrupt is generated, if enabled. Reading the RX Error Counter during this time gives information about the status of the Bus-Off recovery.
2. Errors detected during reception or transmission will effect the error counters according to the CAN specification. The Error Status bit is set when at least one of the error counters has reached or exceeded the CPU warning limit of 96. An Error Interrupt is generated, if enabled.
3. If both the Receive Status and the Transmit Status bits are '0' (idle) the CAN-Bus is idle.
4. The Transmission Complete Status bit is set '0' (incomplete) whenever the Transmission Request bit or the Self Reception Request bit is set '1'. The Transmission Complete Status bit will remain '0' until a message is transmitted successfully.
5. If the CPU tries to write to the Transmit Buffer when the Transmit Buffer Status bit is '0' (locked), the written byte will not be accepted and will be lost without this being signalled.
6. After reading all messages within the RXFIFO and releasing their memory space with the command Release Receive Buffer this bit is cleared.
7. After reading all messages within the RXFIFO and releasing their memory space with the command Release Receive Buffer this bit is cleared.

Single-chip 8-bit microcontroller with CAN controller

P8xC591

12.5.5 INTERRUPT REGISTER (IR)

The Interrupt Register allows the identification of an interrupt source. When one or more bits of this register are set, a CAN interrupt will be indicated to the CPU. After this register is read by the CPU all bits are reset except of the Receive Interrupt bit.

The Interrupt Register appears to the CPU as a read only memory.

Table 16 Interrupt Register (IR) CAN Addr. 3, bit interpretation

BIT	SYMBOL	NAME	VALUE	FUNCTION
IR.7	BEI	Bus Error Interrupt	1 (set) 0 (reset)	This bit is set when the CAN Controller detects an error on the CAN Bus and the BEIE bit is set within the Interrupt Enable Register. After a bus error interrupt event this interrupt is locked until the Error Code Capture Register is read out once.
IR.6	ALI	Arbitration Lost Interrupt	1 (set) 0 (reset)	This bit is set when the CAN Controller has lost arbitration and becomes a receiver and the ALIE bit is set within the Interrupt Enable Register. After an arbitration lost interrupt event this interrupt is locked until the Arbitration Lost Capture Register is read out once.
IR.5	EPI	Error Passive Interrupt	1 (set) 0 (reset)	This bit is set whenever the CAN Controller has reached the Error Passive Status (at least one error counter exceeds the CAN protocol defined level of 127) or if the CAN Controller is in Error Passive Status and enters the Error Active Status again and the EPIE bit is set within the Interrupt Enable Register.
IR.4	WUI	Wake-Up Interrupt; Note 1	1 (set) 0 (reset)	This bit is set when the CAN Controller is sleeping and bus activity is detected and the WUIE bit is set within the Interrupt Enable Register.
IR.3	DOI	Data Overrun Interrupt	1 (set) 0 (reset)	This bit is set on a 0-to-1 change of the Data Overrun Status bit, when the Data Overrun Interrupt Enable is set to '1' (enabled).
IR.2	EI	Error Interrupt	1 (set) 0 (reset)	This bit is set on every change (set and clear) of either the Error Status or Bus Status bits if the Error Interrupt Enable is set to '1' (enabled).
IR.1	TI	Transmit Interrupt; Note 2	1 (set) 0 (reset)	This bit is set whenever the Transmit Buffer Status changes from '0' to '1' (released) and Transmit Interrupt Enable is set to '1' (enabled).
IR.0	RI	Receive Interrupt; Note 4	1 (set) 0 (reset)	This bit is set whenever the RXFIFO is filled with more bytes than specified in the Rx Interrupt Level register or a message has passed an acceptance filter which is set to "high priority" and the RIE bit is set within the Interrupt Enable Register.

Single-chip 8-bit microcontroller with CAN controller

P8xC591

Notes to Table 16:

1. A Wake-Up Interrupt is also generated, if the CPU tries to set the Sleep bit while the CAN controller is involved in bus activities or a CAN Interrupt is pending.
2. In order to support high priority messages, the Receive Interrupt is forced immediately upon a received message, which has passed successfully an acceptance filter with high priority (see acceptance filter section). As long as only messages are received via low priority acceptance filters, the receive interrupt is not forced until the FIFO is filled with more bytes than programmed in the Rx Interrupt Level Register.

The Receive Interrupt Bit is not cleared upon a read access to the Interrupt Register. Giving the Command "Release Receive Buffer" will clear RI temporarily. If there is another message available within the FIFO after the release command, RI is set again. Otherwise RI keeps cleared.

12.5.6 INTERRUPT ENABLE REGISTER (IER)

The register allows to enable different types of interrupt sources which are signalled to the CPU. The Interrupt Enable Register appears to the CPU as a read / write memory.

Table 17 Interrupt Enable Register (IER) CAN Addr. 4, bit interpretation

BIT	SYMBOL	NAME	VALUE	FUNCTION
IER.7	BEIE	Bus Error Interrupt Enable	1 (enabled) 0 (disabled)	If a bus error has been detected, the CAN Controller requests the respective interrupt.
IER.6	ALIE	Arbitration Lost Interrupt Enable	1 (enabled) 0 (disabled)	If the CAN Controller has lost arbitration, the respective interrupt is requested.
IER.5	EPIE	Error Passive Interrupt Enable	1 (enabled) 0 (disabled)	If the error status of the CAN Controller changes from error active to error passive or vice versa, the respective interrupt is requested.
IER.4	WUIE	Wake-Up Interrupt Enable; Note 1	1 (enabled) 0 (disabled)	If the sleeping CAN controller wakes up, the respective interrupt is requested.
IER.3	DOIE	Data Overrun Interrupt Enable	1 (enabled) 0 (disabled)	If the Data Overrun Status bit is set (see Status Register), the CAN Controller requests the respective interrupt.
IER.2	EIE	Error Interrupt Enable	1 (enabled) 0 (disabled)	If the Error or Bus Status change (see Status Register), the CAN Controller requests the respective interrupt.
IER.1	TIE	Transmit Interrupt Enable ²	1 (enabled) 0 (disabled)	When a message has been successfully transmitted or the Transmit Buffer is accessible again, (e.g. after an Abort Transmission command) the CAN Controller requests the respective interrupt.
IER.0	RIE	Receive Interrupt Enable; Note 1	1 (enabled) 0 (disabled)	When the Receive Buffer Status is 'full' the CAN Controller requests the respective interrupt.

Note

1. The Receive Interrupt Enable bit has direct influence to the Receive Interrupt Bit and the interrupt output. If RIE is cleared, the interrupt pin (INT) will become HIGH immediately, if there is no other interrupt pending.

Single-chip 8-bit microcontroller with CAN controller

P8xC591

12.5.7 RX INTERRUPT LEVEL (RIL)

The RIL register is used to define the receive interrupt level for the RXFIFO. A receive interrupt is generated if the number of valid CAN message bytes in the RXFIFO exceeds the level specified in this register. Note that receive interrupts are only generated if complete messages have been received. If RIL is set to 00 the PeliCAN functions like the receive interrupt behaviour of the SJA1000.

Table 18 Bit interpretation of the Rx Interrupt Level (RIL)

CAN ADDR. 5		RX INTERRUPT LEVEL (RIL)					
7	6	5	4	3	2	1	0
RIL.7	RIL.6	RIL.5	RIL.4	RIL.3	RIL.2	RIL.1	RIL.0

12.5.8 BUS TIMING REGISTER 0 (BTR0)

The contents of the Bus Timing Register 0 defines the values of the Baud Rate Prescaler (BRP) and the Synchronization Jump Width (SJW). This register can be accessed (read/write) if the Reset Mode is active. In Operating Mode, this register is read only.

Table 19 Bus Timing Register 0 (BTR0) (CAN address 6)

7	6	5	4	3	2	1	0
SJW.1	SJW.0	BRP.5	BRP.4	BRP.3	BRP.2	BRP.1	BRP.0

12.5.8.1 Baud Rate Prescaler (BRP)

The period of the CAN system clock t_{scl} is programmable and determines the individual bit timing. The CAN system clock is calculated using the following equation:

$$t_{scl} = t_{CLK} \times (32 \times BRP.5 + 16 \times BRP.4 + 8 \times BRP.3 + 4 \times BRP.2 + 2 \times BRP.1 + BRP.0 + 1)$$

$$t_{CLK} = \text{time period of the } \mu\text{C's system clock} = \frac{1}{f_{CLK}}$$

12.5.8.2 Synchronization Jump Width (SJW)

To compensate for phase shifts between clock oscillators of different bus controllers, any bus controller must resynchronize on any relevant signal edge of the current transmission. The synchronization jump width defines the maximum number of clock cycles a bit period may be shortened or lengthened by one resynchronization:

$$t_{SJW} = t_{scl} \times (2 \times SJW.1 + SJW.0 + 1)$$

Single-chip 8-bit microcontroller with CAN controller

P8xC591

12.5.9 BUS TIMING REGISTER 1 (BTR1)

The contents of Bus Timing Register 1 defines the length of the bit period, the location of the sample point and the number of samples to be taken at each bit time. This register can be accessed (read/write) if the Reset Mode is active. In Operating Mode, this register is read only.

Table 20 Bus Timing Register 1 (BTR1) (CAN address 7)

7	6	5	4	3	2	1	0
SAM	TSEG2.2	TSEG2.1	TSEG2.0	TSEG1.3	TSEG1.2	TSEG1.1	TSEG1.0.

12.5.9.1 Sampling (SAM)

Table 21 Sampling (SAM)

BIT	VALUE	FUNCTION
SAM	1 (triple)	The bus is sampled three times -> recommended for low/medium speed buses (class A and B) where filtering spikes on the bus-line is beneficial
	0 (once)	The bus is sampled once -> recommended for high speed buses (SAE class C)

12.5.9.2 Time Segment 1 (TSEG1) and Time Segment 2 (TSEG2)

TSEG1 and TSEG2 determine the number of clock cycles per bit period and the location of the sample point:

$$t_{\text{SYNCSEG}} = 1 \times t_{\text{scl}}$$

$$t_{\text{TSEG1}} = t_{\text{scl}} \times (8 \times \text{TSEG1.3} + 4 \times \text{TSEG1.2} + 2 \times \text{TSEG1.1} + \text{TSEG1.0} + 1)$$

$$t_{\text{TSEG2}} = t_{\text{scl}} \times (4 \times \text{TSEG2.2} + 2 \times \text{TSEG2.1} + \text{TSEG2.0} + 1)$$

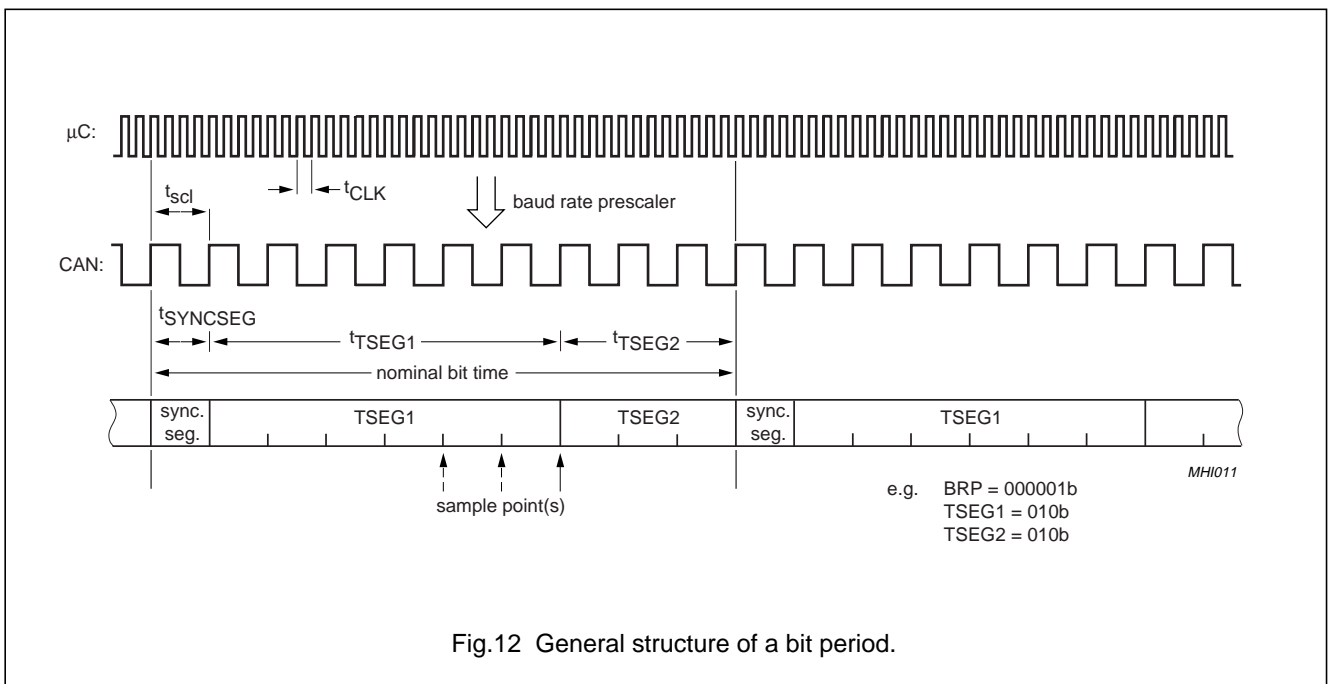


Fig.12 General structure of a bit period.

Single-chip 8-bit microcontroller with CAN controller

P8xC591

12.5.10 RX MESSAGE COUNTER (RMC)

The RMC Register (CAN Address 9) reflects the number of messages available within the RXFIFO. The value is incremented with each receive event and decremented by the Release Receive Buffer command. After any reset event, this register is cleared.

Table 22 RX Message Counter (RMC) (CAN address 9)

7	6	5	4	3	2	1	0
RMC.7	RMC.6	RMC.5	RMC.4	RMC.3	RMC.2	RMC.1	RMC.0

12.5.11 RX BUFFER START ADDRESS (RBSA)

The RBSA register (CAN Address 10) reflects the currently valid internal RAM address, where the first byte of the received message, which is mapped to the Receive Buffer Window, is stored. With the help of this information it is possible to interpret the internal RAM contents. The internal RAM address area begins at CAN address 32 and may be accessed by the CPU for reading and writing (writing in Reset Mode only).

Example:

If RBSA is set to 24 (decimal), the current message visible in the Receive Buffer Window (CAN Address 96 -108) is stored within the internal RAM beginning at RAM address 24. Because the RAM is also mapped directly to the CAN address space beginning at CAN address 128 (equal to RAM address 0) this message may also be accessed using CAN address 152 and the following bytes

(CAN Address = RBSA + 128--> 24 + 128= 152).

Always, the Release Receive Buffer Command is given while there is at least one more message available within the FIFO, RBSA is updated to the beginning of the next message.

On Hardware Reset, this pointer is initialised to "00h". Upon a Software Reset (setting of Reset Mode) this pointer keeps its old value, but the FIFO is cleared, what means, that the RAM contents are not changed, but the next received (or transmitted) message will override the currently visible message within the Receive Buffer Window.

The RX Buffer Start Address Register appears to the CPU as a read only memory in Operating Mode and as read / write memory in Reset Mode.

Table 23 RX Buffer Start Address (RBSA) (CAN address 10)

7	6	5	4	3	2	1	0
RBSA.7	RBSA.6	RBSA.5	RBSA.4	RBSA.3	RBSA.2	RBSA.1	RBSA.0

Single-chip 8-bit microcontroller with CAN controller

P8xC591

12.5.12 ARBITRATION LOST CAPTURE (ALC)

This register contains information about the bit position of losing arbitration. The Arbitration Lost Capture Register appears to the CPU as a read only memory. Reserved Bits are read as "0".

Table 24 Arbitration Lost Capture (ALC) (CAN address 11)

7	6	5	4	3	2	1	0
-	-	-	BITNO4	BITNO3	BITNO2	BITNO1	BITNO0

Table 25 Description of Arbitration Lost Capture (ALC) Register 1 bits

BIT	SYMBOL	NAME	VALUE	FUNCTION
7 to 5	-	-	-	Reserved.
4	BITNO4	Bit Number 4		Binary coded Frame Bit Number where arbitration was lost. 00 -> arbitration lost in first bit of identifier
3	BITNO3	Bit Number 3		...
2	BITNO2	Bit Number 2		11 -> arbitration lost in SRTR bit (RTR bit for standard frame messages) 12 -> arbitration lost in IDE bit 13 -> arbitration lost in 12th bit of identifier (extended frame only)
1	BITNO1	Bit Number 1		...
0	BITNO0	Bit Number 0		30 -> arbitration lost in last bit of identifier (extended frame only) 31 -> arbitration lost in RTR bit (extended frame only)

On arbitration lost, the corresponding arbitration lost interrupt is forced, if enabled. In the same time, the current bit position of the Bit Stream Processor is captured into the Arbitration Lost Capture Register. The content within this register is fixed until the users software has read out its contents once. From now on the capture mechanism is activated again. The corresponding Interrupt Flag located in the Interrupt Register is cleared during the read access to the Interrupt Register. A new Arbitration Lost Interrupt is not possible until the Arbitration Lost Capture Register is read out once.

Single-chip 8-bit microcontroller with CAN controller

P8xC591

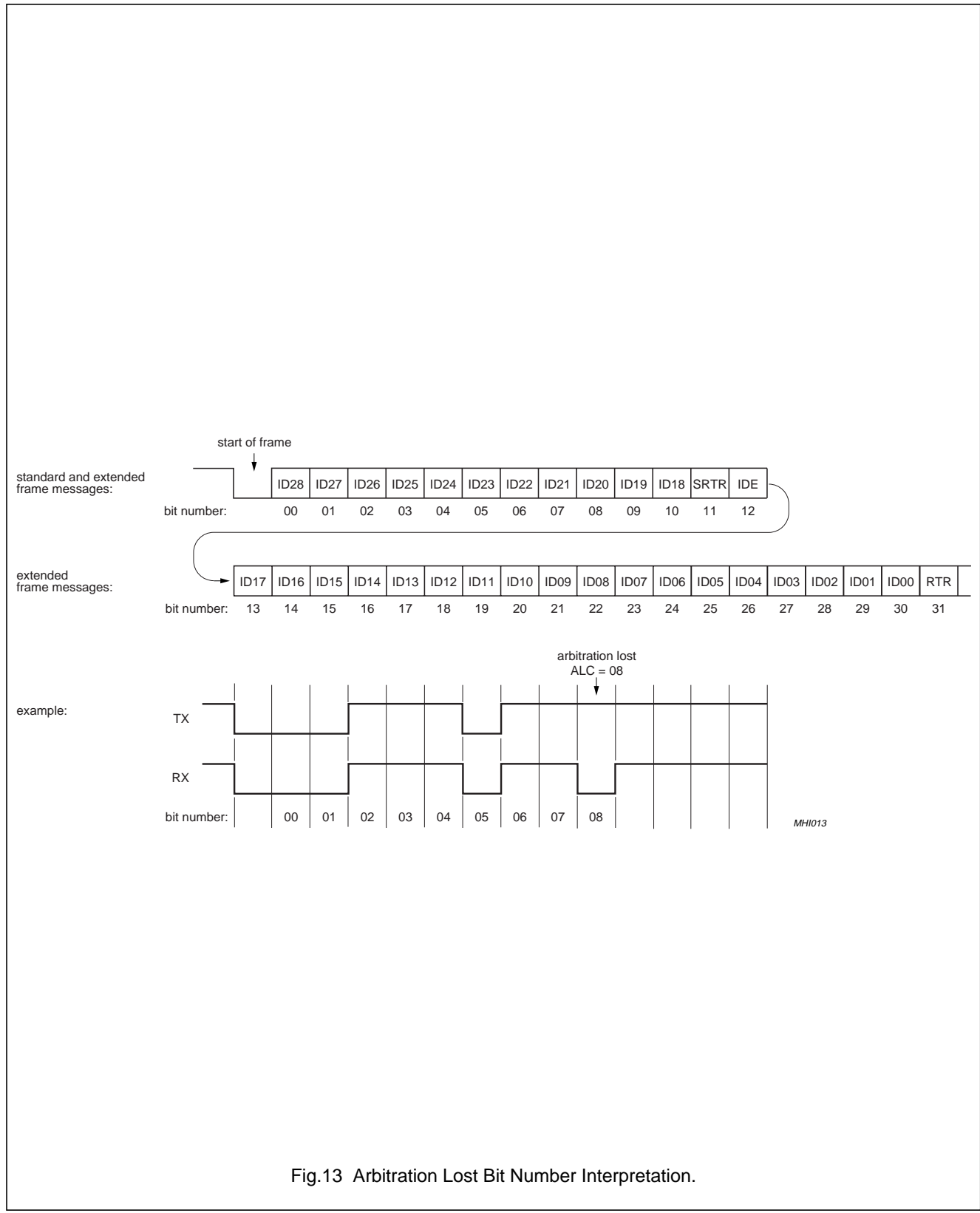


Fig.13 Arbitration Lost Bit Number Interpretation.

Single-chip 8-bit microcontroller with CAN controller

P8xC591

12.5.13 ERROR CODE CAPTURE (ECC)

This register contains information about the type and location of errors on the bus. The Error Code Capture Register appears to the CPU as a read only memory.

Table 26 Error Code Capture (ECC) (CAN address 12)

7	6	5	4	3	2	1	0
ERRC1	ERRC0	DIR	SEG4	SEG3	SEG2	SEG1	SEG0

Table 27 Description of Error Code Capture (ECC) Register 1 bits

BIT	SYMBOL	NAME	VALUE		FUNCTION		
			ERRC1	ERRC0			
7	ERRC1	Error Code 1					
6	ERRC0	Error Code 0	0	0	Bit Error		
			0	1	Form Error		
			1	0	Stuff Error		
			1	1	Other Error		
5	DIR	Direction	1 (RX) 0 (TX)		Error occurred during reception Error occurred during transmission		
4	SEG4	Segment 4	Reflects the current Frame Segment to determine between different error events:				
3	SEG3	Segment 3					
2	SEG2	Segment 2					
1	SEG1	Segment 1					
0	SEG0	Segment 0				00100	IDE Bit
						00111	ID17 ... ID13
						01111	ID12 ... ID5
						01110	ID4 ... ID0
						01100	RTR Bit
						01101	Reserved Bit 1
						01001	Reserved Bit 0
			01011	Data Length Code			
			01010	Data Field			
			01000	CRC Sequence			
11000	CRC Delimiter						
11001	Acknowledge Slot						
11011	Acknowledge Delimiter						
11010	End Of Frame						
10010	Intermission						
10001	Active Error Flag						
10110	Passive Error Flag						
00011	Tolerate Dom. Bits						
10111	Error Delimiter						
11100	Overload Flag						

Always if a bus error occurs, the corresponding bus error interrupt is forced, if enabled. In the same time, the current position of the Bit Stream Processor is captured into the Error Code Capture Register. The content within this register is fixed until the users software has read out its content once. From now on the capture mechanism is activated again.

The corresponding Interrupt Flag located in the Interrupt Register is cleared during the read access to the Interrupt Register. A new Bus Error Interrupt is not possible until the Capture Register is read out once.

Single-chip 8-bit microcontroller with CAN controller

P8xC591

12.5.14 ERROR WARNING LIMIT REGISTER (EWLR)

The Error Warning Limit could be defined within this register. The default value (after hardware reset) is 96d. In Reset Mode this register appears to the CPU as a read / write memory.

Table 28 Error Warning Limit Register (EWLR) (CAN address 13)

7	6	5	4	3	2	1	0
EWL.7	EWL.6	EWL.5	EWL.4	EWL.3	EWL.2	EWL.1	EWL.0

Note that a content change of the EWL-Register is possible only, if the Reset Mode was entered previously. An Error Status change (Status Register) and an Error Warning Interrupt forced by the new register content will not occur, until the Reset Mode is cancelled again.

12.5.15 RX ERROR COUNTER REGISTER (RXERR)

The RX Error Counter Register reflects the current value of the Receive Error Counter. After hardware reset this register is initialised to "0". In Operating Mode this register appears to the CPU as a read only memory. A write access to this register is possible only in Reset Mode.

If a Bus Off event occurs, the RX Error counter is initialised to "0". As long as Bus Off is valid, writing to this register has no effect.

Table 29 RX Error Counter Register (RXERR) (CAN address 14)

7	6	5	4	3	2	1	0
RXERR.7	RXERR.6	RXERR.5	RXERR.4	RXERR.3	RXERR.2	RXERR.1	RXERR.0

Note that a CPU-forced content change of the RX Error Counter is possible only, if the Reset Mode was entered previously. An Error Status change (Status Register), an Error Warning or an Error Passive Interrupt forced by the new register content will not occur, until the Reset Mode is cancelled again.

Single-chip 8-bit microcontroller with CAN controller

P8xC591

12.5.16 TX ERROR COUNTER REGISTER (TXERR)

The TX Error Counter Register reflects the current value of the Transmit Error Counter. In Operating Mode this register appears to the CPU as a read only memory. A write access to this register is possible only in Reset Mode. After hardware reset this register is initialised to "0". If a bus-off event occurs, the TX Error Counter is initialised to 127 to count the minimum protocol-defined time (128 occurrences of the Bus-Free signal). Reading the TX Error Counter during this time gives information about the status of the Bus-Off recovery.

If Bus Off is active, a write access to TXERR in the range of 0 to 254 clears the Bus Off Flag and the controller will wait for one occurrence of 11 consecutive recessive bits (bus free) after clearing of Reset Mode.

Writing 255 to TXERR allows to initiate a CPU-driven Bus Off event. Note, that a CPU-forced content change of the

TX Error Counter is possible only, if the Reset Mode was entered previously. An Error or Bus Status change (Status Register), an Error Warning or an Error Passive Interrupt forced by the new register content will not occur, until the Reset Mode is cancelled again. After leaving the Reset Mode, the new TX Counter content is interpreted and the Bus Off event is performed in the same way, as if it was forced by a bus error event. That means, that the Reset Mode is entered again, the TX Error Counter is initialised to 127, the RX Counter is cleared and all concerned Status and Interrupt Register Bits are set.

Clearing of Reset Mode now will perform the protocol defined Bus Off recovery sequence (waiting for 128 occurrences of the Bus-Free signal).

If the Reset Mode is entered again before the end of Bus Off recovery (TXERR > 0), Bus Off keeps active and TXERR is frozen.

Table 30 TX Error Counter Register (TXERR) (CAN address 15)

7	6	5	4	3	2	1	0
TXERR.7	TXERR.6	TXERR.5	TXERR.4	TXERR.3	TXERR.2	TXERR.1	TXERR.0

12.5.17 ACCEPTANCE FILTER

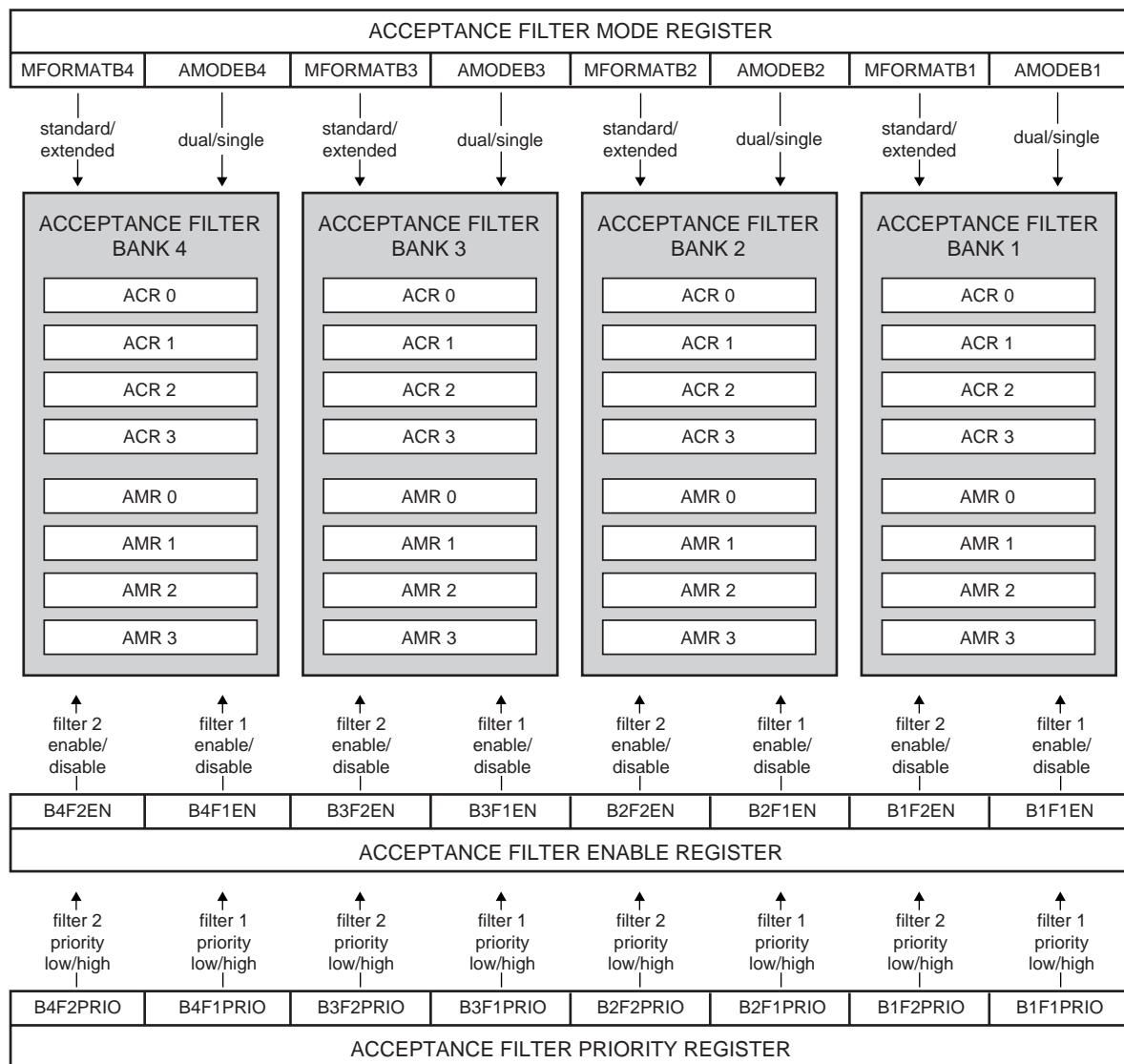
With the help of the Acceptance Filter the CAN Controller is able to allow passing of received messages to the RXFIFO only when the identifier bits and the Frame Type of the received message are equal to the predefined ones within the Acceptance Filter Registers. If at least one filter matches, the message is copied to the receive FIFO.

The Acceptance Filter is defined by the Acceptance Code Registers (ACRn) and the Acceptance Mask Registers (AMRn). Within the Acceptance Code Registers the bit patterns of messages to be received are defined. The corresponding Acceptance Mask Registers allow defining certain bit positions to be "don't care".

The PeliCAN is designed to support four of so called Acceptance Filter Banks. Each bank has the functionality known from the SJA1000 with the extension, that a filter change is possible "on the fly". Additionally the used Frame Format of each filter bank is programmable now.

Single-chip 8-bit microcontroller with CAN controller

P8xC591



MHI014

Fig.14 Acceptance Filter Tables.

Single-chip 8-bit microcontroller with CAN controller

P8xC591

12.5.17.1 Acceptance Filter Mode Register

The current operating mode is defined within the Acceptance Filter Mode Register located at CAN Address 29. A write access to this register is possible only within Reset Mode (Mode Register).

Note, that some bits are implemented only in case of the corresponding acceptance filter bank is implemented.

Not implemented bits are read as "0".

Table 31 Acceptance Filter Mode Register (ACF Mode) (CAN address 29)

7	6	5	4	3	2	1	0
MFORMATB4	AMODEB4	MFORMATB3	AMODEB3	MFORMATB2	AMODEB2	MFORMATB1	AMODEB1

Table 32 Acceptance Filter Mode Register (ACF Mode) 1 bits

BIT	SYMBOL	NAME	VALUE	FUNCTION
ACFMODE.7	MFORMATB4	Acceptance Filter Format Bank 4	1 (EFF) 0 (SFF)	Acceptance Filter Bank 4 is used for Extended Frame Messages only, Standard Frame Messages are ignored Acceptance Filter Bank 4 is used for Standard Frame Messages only, Extended Frame Messages are ignored
ACFMODE.6	AMODEB4	Acceptance Filter Mode Bank 4	1 (single) 0 (dual)	The Single Acceptance Filter option is enabled for filter bank 4, -> one long filter is active The Dual Acceptance Filter option is enabled for filter bank 4, -> two short filters are active
ACFMODE.5	MFORMATB3	Acceptance Filter Format Bank 3	1 (EFF) 0 (SFF)	Acceptance Filter Bank 3 is used for Extended Frame Messages only, Standard Frame Messages are ignored Acceptance Filter Bank 3 is used for Standard Frame Messages only, Extended Frame Messages are ignored
ACFMODE..4	AMODEB3	Acceptance Filter Mode Bank 3	1 (single) 0 (dual)	The Single Acceptance Filter option is enabled for filter bank 3, -> one long filter is active The Dual Acceptance Filter option is enabled for filter bank 3, -> two short filters are active
ACFMODE.3	MFORMATB2	Acceptance Filter Format Bank 2	1 (EFF) 0 (SFF)	Acceptance Filter Bank 2 is used for Extended Frame Messages only, Standard Frame Messages are ignored. Acceptance Filter Bank 2 is used for Standard Frame Messages only, Extended Frame Messages are ignored.
ACFMODE.2	AMODEB2	Acceptance Filter Mode Bank 2	1 (single) 0 (dual)	The Single Acceptance Filter option is enabled for filter bank 2, -> one long filter is active The Dual Acceptance Filter option is enabled for filter bank 2, -> two short filters are active
ACFMODE.1	MFORMATB1	Acceptance Filter Format Bank 1	1 (EFF) 0 (SFF)	Acceptance Filter Bank 1 is used for Extended Frame Messages only, Standard Frame Messages are ignored Acceptance Filter Bank 1 is used for Standard Frame Messages only, Extended Frame Messages are ignored
ACFMODE.0	AMODEB1	Acceptance Filter Mode Bank 1	1 (single) 0 (dual)	The Single Acceptance Filter option is enabled for filter bank 1, -> one long filter is active The Dual Acceptance Filter option is enabled for filter bank 1, -> two short filters are active

Single-chip 8-bit microcontroller with CAN controller

P8xC591

12.5.17.2 Acceptance Filter Enable Register

Each defined Acceptance Filter is enabled or disabled by a certain bit located within the Acceptance Filter Enable Register. This allows to change the Acceptance Filter Contents “on the fly” during normal operation if the corresponding filter is disabled previously. A disabled Acceptance Filter does not allow passing of messages to the receive buffer. If all Acceptance Filters are disabled (default after hardware reset) no messages will pass to the receive buffer at all.

The Acceptance Code and Mask registers are writable only, if the related Acceptance Filter is disabled or the CAN Block is in Reset Mode.

Note, that some bits are implemented only in case of the corresponding acceptance filter bank is implemented.

Not implemented bits are read as “0”.

Table 33 Acceptance Filter Enable Register (ACF Enable) (CAN address 30)

7	6	5	4	3	2	1	0
B4F2EN	B4F1EN	B3F2EN	B3F1EN	B2F2EN	B2F1EN	B1F2EN	B1F1EN

Table 34 Acceptance Filter Enable Register (ACF Enable)

BIT	SYMBOL	NAME	VALUE	FUNCTION
ACFEN.7	B4F2EN	Bank 4 Filter 2 Enable	1 (enabled) 0 (disabled)	Filter 2 of Bank 4 is enabled, no write access to corresponding Mask and Code Registers is possible Filter 2 of Bank 4 is enabled, changing of corresponding Mask and Code Registers is possible.
ACFEN.6	B4F1EN	Bank 4 Filter 1 Enable	1 (enabled) 0 (disabled)	Filter 1 of Bank 4 is enabled, no write access to corresponding Mask and Code Registers is possible Filter 1 of Bank 4 is enabled, changing of corresponding Mask and Code Registers is possible.
ACFEN.5	B3F2EN	Bank 3 Filter 2 Enable	1 (enabled) 0 (disabled)	Filter 2 of Bank 3 is enabled, no write access to corresponding Mask and Code Registers is possible Filter 2 of Bank 3 is enabled, changing of corresponding Mask and Code Registers is possible.
ACFEN.4	B3F1EN	Bank 3 Filter 1 Enable	1 (enabled) 0 (disabled)	Filter 1 of Bank 3 is enabled, no write access to corresponding Mask and Code Registers is possible Filter 1 of Bank 3 is enabled, changing of corresponding Mask and Code Registers is possible.
ACFEN.3	B2F2EN	Bank 2 Filter 2 Enable	1 (enabled) 0 (disabled)	Filter 2 of Bank 2 is enabled, no write access to corresponding Mask and Code Registers is possible Filter 2 of Bank 2 is enabled, changing of corresponding Mask and Code Registers is possible.
ACFEN.2	B2F1EN	Bank 2 Filter 1 Enable	1 (enabled) 0 (disabled)	Filter 1 of Bank 2 is enabled, no write access to corresponding Mask and Code Registers is possible Filter 1 of Bank 2 is enabled, changing of corresponding Mask and Code Registers is possible.
ACFEN.1	B1F2EN	Bank 1 Filter 2 Enable	1 (enabled) 0 (disabled)	Filter 2 of Bank 1 is enabled, no write access to corresponding Mask and Code Registers is possible Filter 2 of Bank 1 is enabled, changing of corresponding Mask and Code Registers is possible.
ACFEN.0	B1F1EN	Bank 1 Filter 1 Enable	1 (enabled) 0 (disabled)	Filter 1 of Bank 1 is enabled, no write access to corresponding Mask and Code Registers is possible Filter 1 of Bank 1 is enabled, changing of corresponding Mask and Code Registers is possible.

Note, if the Single Filter Mode is selected for an Acceptance Filter Bank, this single filter is related to the corresponding Filter 1 Enable Bit. The Filter 2 Enable Bits have no influence within Single Filter Mode.

Single-chip 8-bit microcontroller with CAN controller

P8xC591

12.5.17.3 Acceptance Filter Priority Register

For each available Acceptance Filter it could be defined, whether a receive interrupt is forced immediately if a message passes a certain Acceptance Filter or whether the programmed Receive Interrupt Level should be used for interruption. This allows to use certain Acceptance Filters for alarm message recognition interrupting the host CPU immediately.

Note, that some bits are implemented only in case of the corresponding acceptance filter bank is implemented.

Not implemented bits are read as "0".

Table 35 Acceptance Filter Priority Register (ACF Priority) (CAN address 31)

7	6	5	4	3	2	1	0
B4F2PRIO	B4F1PRIO	B3F2PRIO	B3F1PRIO	B2F2PRIO	B2F1PRIO	B1F2PRIO	B1F1PRIO

Table 36 Acceptance Filter Priority Register (ACF Priority)

BIT	SYMBOL	NAME	VALUE	FUNCTION
ACFPRI0.7	B4F2PRIO	Bank 4 Filter 2 Priority	1 (high) 0 (low)	A receive interrupt is generated immediately, if a message passes Filter 2 within Acceptance Filter Bank 4 A receive interrupt is generated, if the FIFO level exceeds the Receive Interrupt Level Register.
ACFPRI0.6	B4F1PRIO	Bank 4 Filter 1 Priority	1 (high) 0 (low)	A receive interrupt is generated immediately, if a message passes Filter 1 within Acceptance Filter Bank 4 A receive interrupt is generated, if the FIFO level exceeds the Receive Interrupt Level Register.
ACFPRI0.5	B3F2PRIO	Bank 3 Filter 2 Priority	1 (high) 0 (low)	A receive interrupt is generated immediately, if a message passes Filter 2 within Acceptance Filter Bank 3 A receive interrupt is generated, if the FIFO level exceeds the Receive Interrupt Level Register.
ACFPRI0.4	B3F1PRIO	Bank 3 Filter 1 Priority	1 (high) 0 (low)	A receive interrupt is generated immediately, if a message passes Filter 1 within Acceptance Filter Bank 3 A receive interrupt is generated, if the FIFO level exceeds the Receive Interrupt Level Register.
ACFPRI0.3	B2F2PRIO	Bank 2 Filter 2 Priority	1 (high) 0 (low)	A receive interrupt is generated immediately, if a message passes Filter 2 within Acceptance Filter Bank 2 A receive interrupt is generated, if the FIFO level exceeds the Receive Interrupt Level Register.
ACFPRI0.2	B2F1PRIO	Bank 2 Filter 1 Priority	1 (high) 0 (low)	A receive interrupt is generated immediately, if a message passes Filter 1 within Acceptance Filter Bank 2 A receive interrupt is generated, if the FIFO level exceeds the Receive Interrupt Level Register.
ACFPRI0.1	B1F2PRIO	Bank 1 Filter 2 Priority	1 (high) 0 (low)	A receive interrupt is generated immediately, if a message passes Filter 2 within Acceptance Filter Bank 1 A receive interrupt is generated, if the FIFO level exceeds the Receive Interrupt Level Register.
ACFPRI0.0	B1F1PRIO	Bank 1 Filter 1 Priority	1 (high) 0 (low)	A receive interrupt is generated immediately, if a message passes Filter 1 within Acceptance Filter Bank 1 A receive interrupt is generated, if the FIFO level exceeds the Receive Interrupt Level Register.

Single-chip 8-bit microcontroller with CAN controller

P8xC591

12.5.17.4 Single Filter Configuration

In this filter configuration one long filter (4-byte) could be defined. The bit correspondences between the filter bytes and the Message bytes depends on the programmed Frame Format (see ACF Mode Register).

Single Filter Standard Frame:

If the Standard Frame Format is selected, the complete Identifier including the RTR bit and the first two data bytes are used for acceptance filtering. Messages may also be

accepted if there are no data bytes existing due to a set RTR bit or if there is no or only one data byte because of the corresponding data length code.

For a successful reception of a message, all single bit comparisons have to signal acceptance. Note that the 4 least significant bits of AMR1 and ACR1 are not used. In order to keep compatible with future products these bits should be programmed to be “don’t care” by setting AMR1.3, AMR1.2, AMR1.1 and AMR1.0 to “1”.

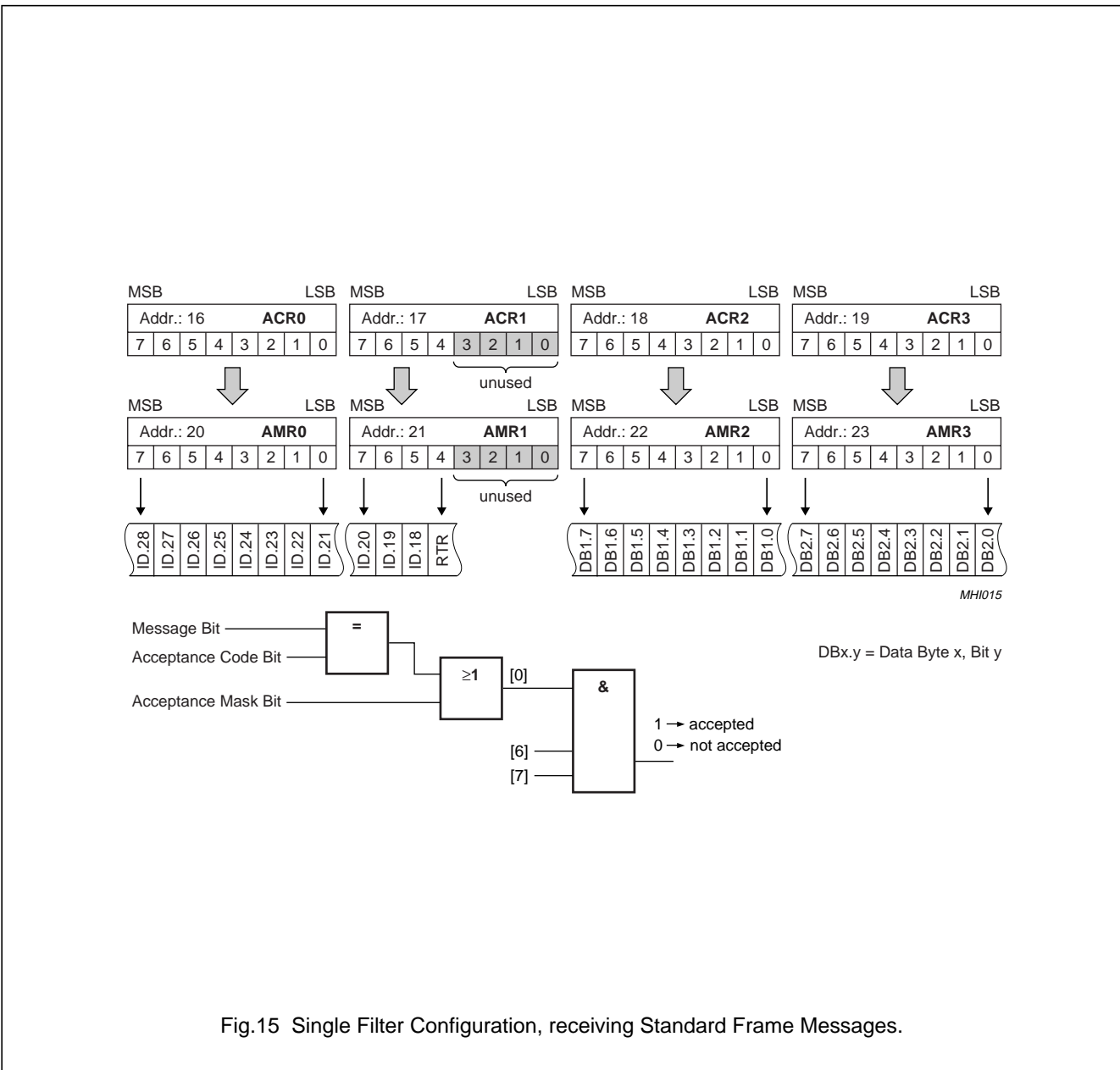


Fig.15 Single Filter Configuration, receiving Standard Frame Messages.

Single-chip 8-bit microcontroller with CAN controller

P8xC591

Single Filter Extended Frame:

If the Extended Frame Format is selected, the complete Identifier including the RTR bit is used for acceptance filtering.

For a successful reception of a message, all single bit comparisons have to signal acceptance. Note that the 2

least significant bits of AMR3 and ACR3 are not used. In order to keep compatible with future products these bits should be programmed to be "don't care" by setting AMR3.1 and AMR3.0 to "1".

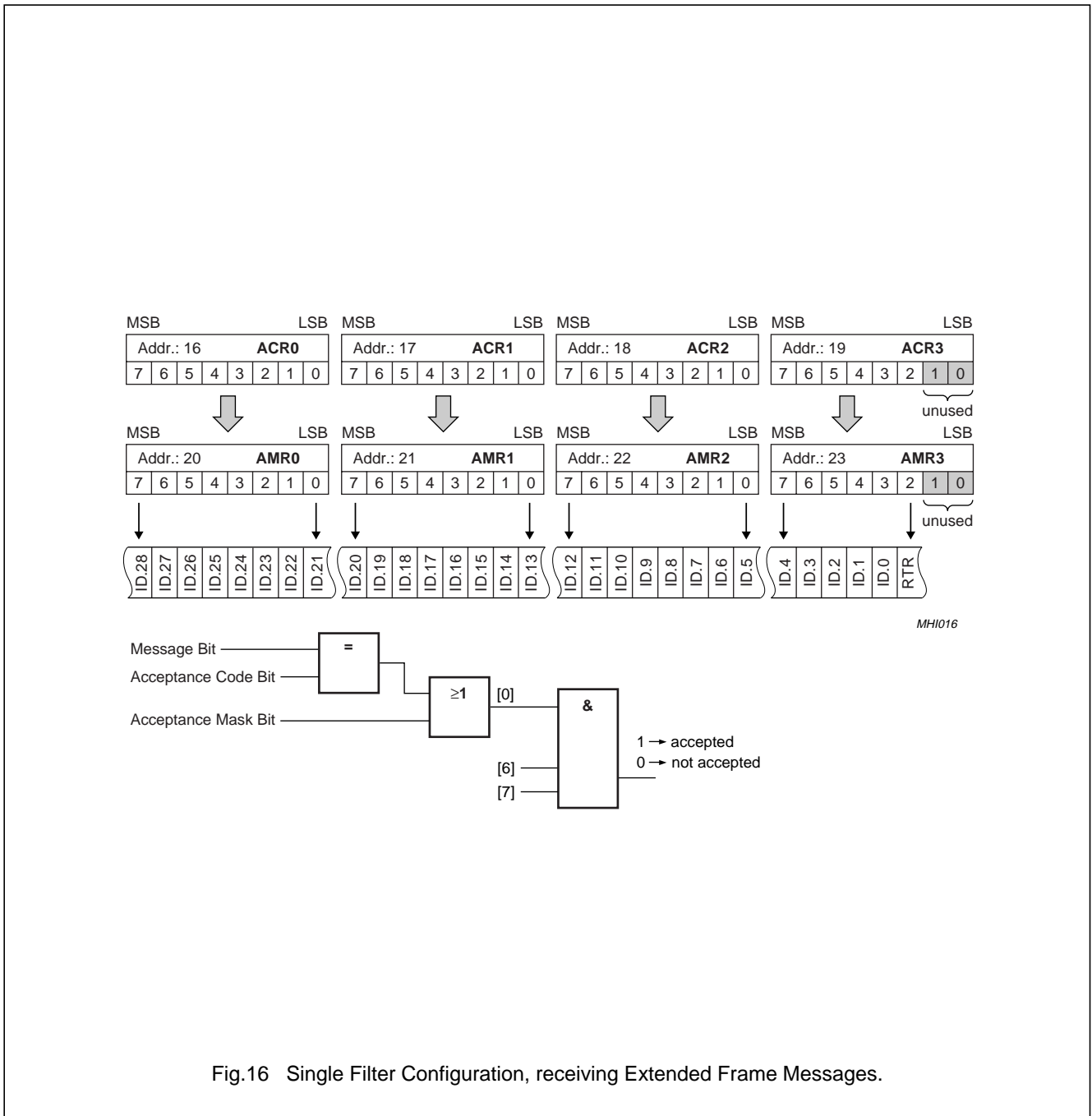


Fig.16 Single Filter Configuration, receiving Extended Frame Messages.

Single-chip 8-bit microcontroller with CAN controller

P8xC591

12.5.17.5 Dual Filter Configuration

In this filter configuration two short filters could be defined. A received message is compared with both filters to decide, whether this message should be copied into the Receive Buffer or not. If at least one of the filters signals an acceptance, the received message becomes valid. The bit correspondences between the filter bytes and the message bytes depends on the currently received Frame Format.

Dual Filter Standard Frame:

If the Standard Frame Format is selected, the two defined filters are different. The first filter compares the complete Standard Identifier including the RTR bit **and** the first Data Byte of the message. The second filter just compares the complete Standard Identifier including the RTR bit.

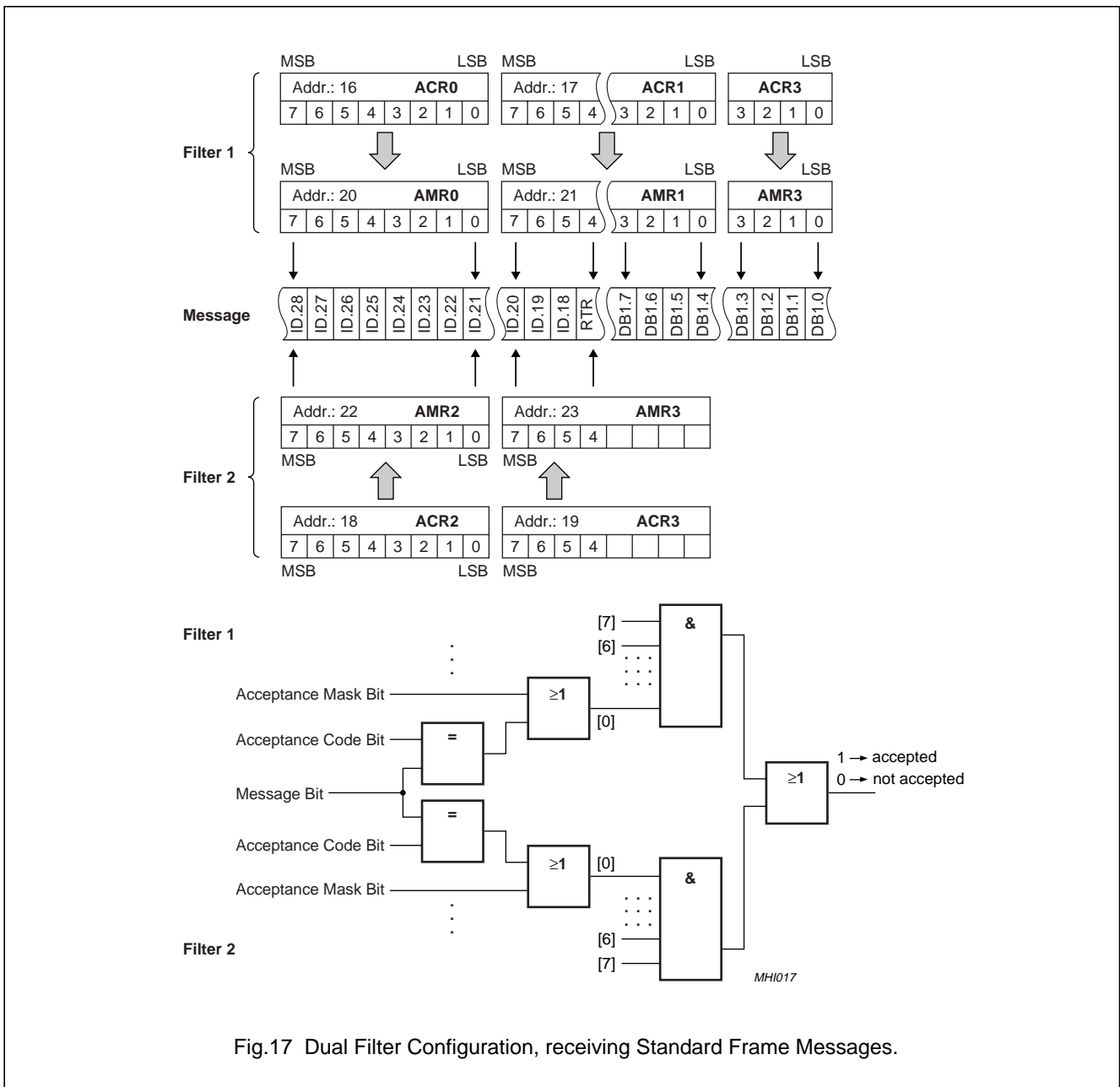


Fig.17 Dual Filter Configuration, receiving Standard Frame Messages.

Single-chip 8-bit microcontroller with CAN controller

P8xC591

For a successful reception of a message, all single bit comparisons of at least one complete filter have to signal acceptance. In case of a set RTR bit or a data length code of "0" no data byte is existing. Nevertheless, a message may pass Filter 1, if the first part up to the RTR bit signals acceptance.

If no data byte filtering is required for Filter 1, the four least significant bits of AMR1 and AMR3 have to be set "1" (don't care). Then both filters are working identically using the standard identifier range including the RTR bit.

Dual Filter Extended Frame:

If the Extended Frame Format is selected, the two defined filters are looking identically. Both filters are comparing the first two bytes of the Extended Identifier range only.

For a successful reception of a message, all single bit comparisons of at least one complete filter have to signal acceptance.

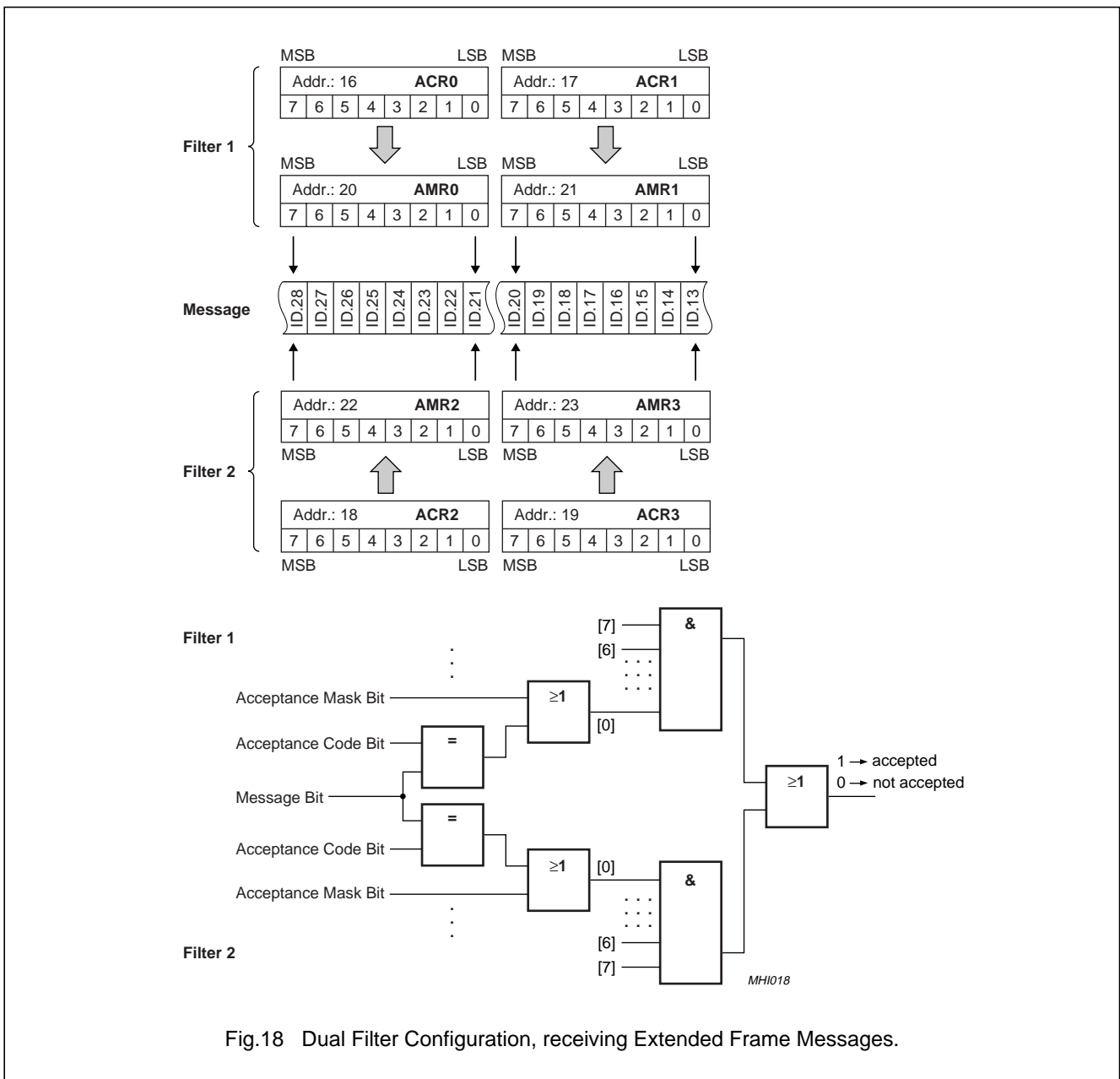


Fig.18 Dual Filter Configuration, receiving Extended Frame Messages.

Single-chip 8-bit microcontroller with CAN controller

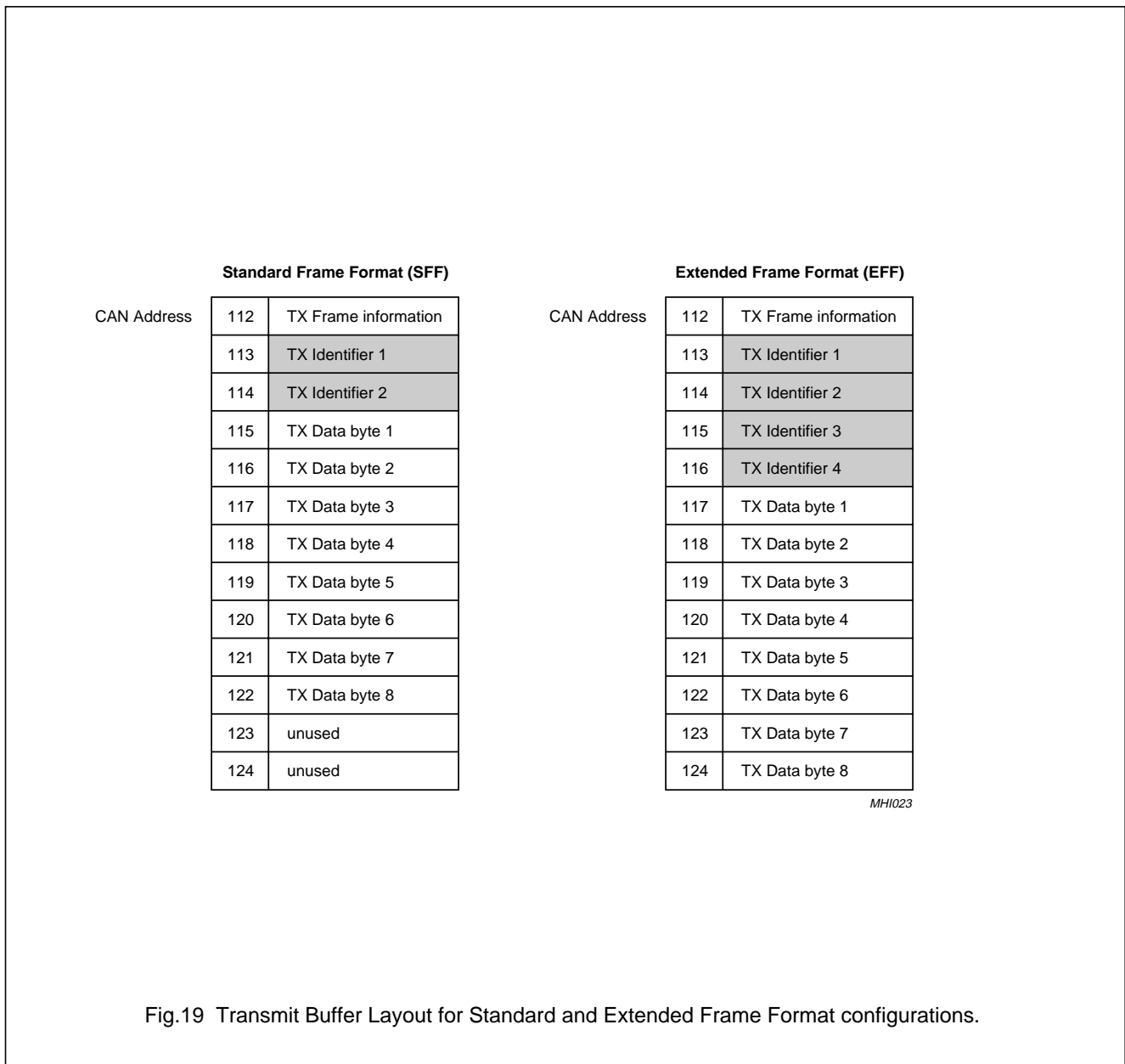
P8xC591

12.5.18 TRANSMIT BUFFER

The global layout of the Transmit Buffer is shown in Fig.19. One has to distinguish between the Standard Frame Format (SFF) and the Extended Frame Format (EFF) configuration. The transmit buffer allows the definition of one transmit message with up to eight data bytes.

12.5.18.1 Transmit Buffer Layout

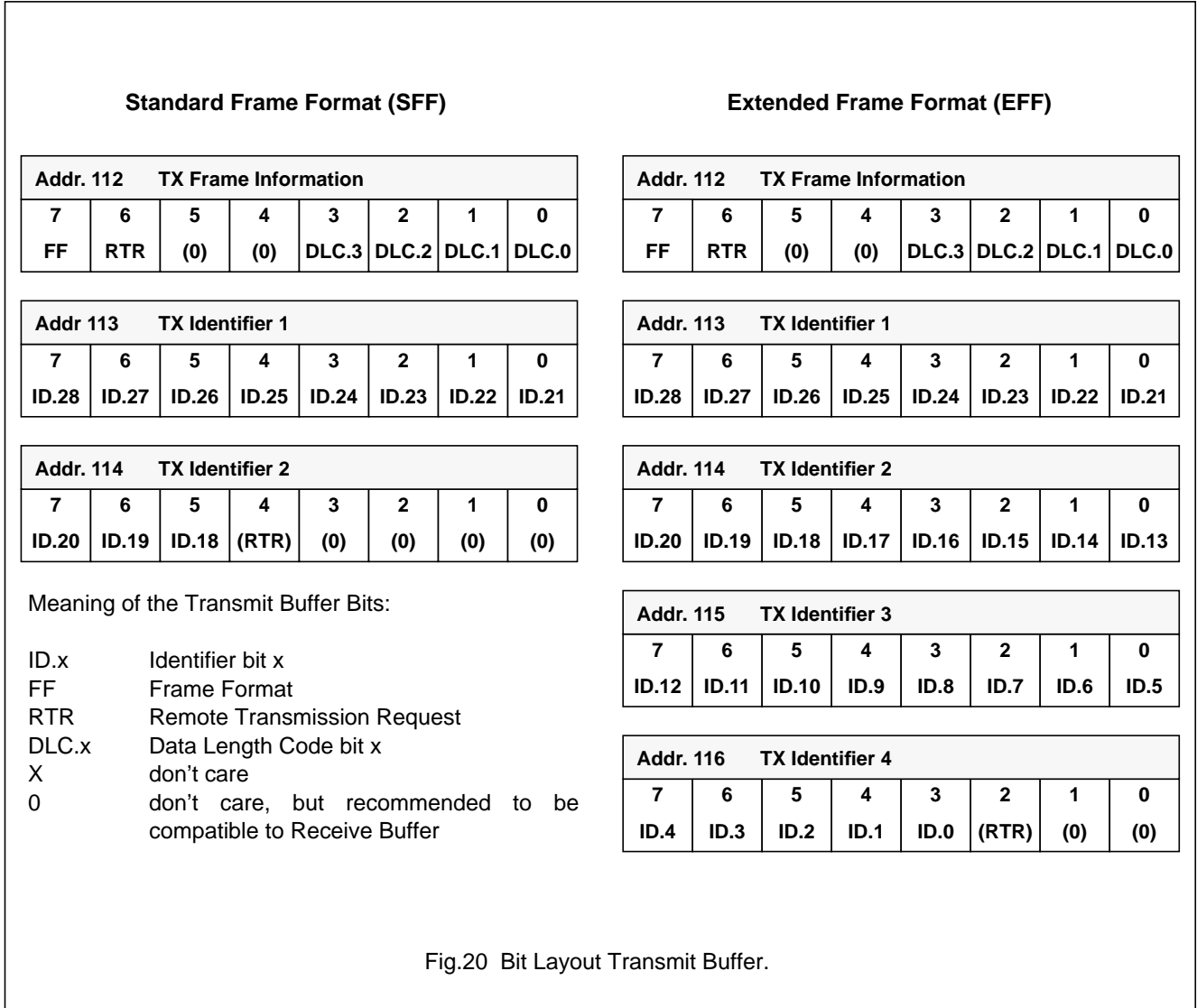
It is subdivided into Descriptor and Data Field where the first byte of the Descriptor Field is the Frame Information Byte (Frame Info). It describes the Frame Format (SFF or EFF), Remote or Data Frame and the Data Length. Two identifier bytes for SFF and four bytes for EFF messages follow. The Data Field contains up to eight data bytes. The Transmit Buffer has a length of 13 bytes and is located in the CAN address range from 112 to 124.



Single-chip 8-bit microcontroller with CAN controller

P8xC591

12.5.18.2 Descriptor Field of the Transmit Buffer



This configuration is chosen to be compatible with the Receive Buffer Layout (see Section 12.5.19.1).

The values marked with “()” in the Transmit Buffer should be set to the values expected in the Receive Buffer for an easy comparison, only when using the Self Reception facility, otherwise they are don't care.

Table 37 Frame Format (FF) and Remote Transmission Request (RTR) bits

BIT	VALUE	FUNCTION
FF	1 (EFF)	Extended Frame Format will be transmitted by the CAN Controller
	0 (SFF)	Standard Frame Format will be transmitted by the CAN Controller
RTR	1 (remote)	Remote Frame will be transmitted by the CAN Controller
	0 (data)	Data Frame will be transmitted by the CAN Controller

Single-chip 8-bit microcontroller with CAN controller

P8xC591

12.5.18.3 Data Length Code (DLC)

The number of bytes in the Data Field of a message is coded by the Data Length Code. At the start of a Remote Frame transmission the Data Length Code is not considered due to the RTR bit being '1' (remote). This forces the number of transmitted/received data bytes to be 0. Nevertheless, the Data Length Code must be specified correctly to avoid bus errors, if two CAN Controllers start a Remote Frame transmission with the same identifier simultaneously.

The range of the Data Byte Count is 0 to 8 bytes and is coded as follows:

$$\text{DataByteCount} = 8 \times \text{DLC.3} + 4 \times \text{DLC.2} + 2 \times \text{DLC.1} + \text{DLC.0}$$

For reasons of compatibility no Data Length Code > 8 should be used. If a value greater than 8 is selected, 8 bytes are transmitted in the data frame with the Data Length Code specified in DLC.

12.5.18.4 Identifier (ID)

In Standard Frame Format (SFF) the Identifier consists of 11 bits (ID.28 to ID.18) and in Extended Frame Format (EFF) messages the identifier consists of 29 bits (ID.28 to ID.0). ID.28 is the most significant bit, which is transmitted first on the bus during the arbitration process. The Identifier acts as the message's name, used in a receiver for acceptance filtering, and also determines the bus access priority during the arbitration process. The lower the binary value of the Identifier the higher the priority. This is due to the larger number of leading dominant bits during arbitration.

12.5.18.5 Data Field

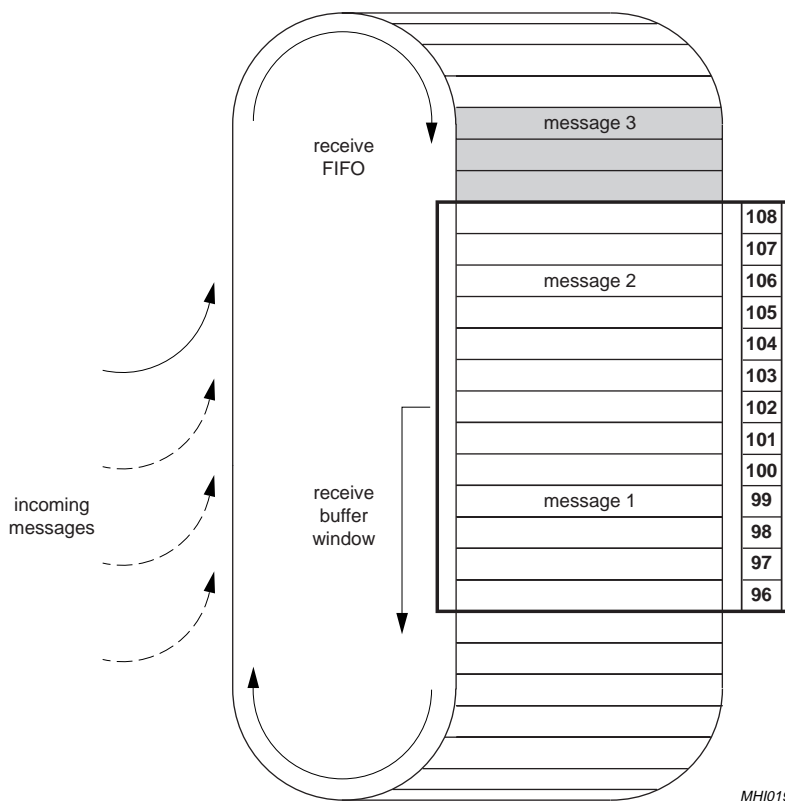
The number of transferred data bytes is defined by the Data Length Code. The first bit transmitted is the most significant bit of data byte 1 at address 115 (SFF) or address 117 (EFF).

Single-chip 8-bit microcontroller with CAN controller

P8xC591

12.5.19 RECEIVE BUFFER

The global layout of the Receive Buffer is very similar to the Transmit Buffer described in the previous chapter. The Receive Buffer is the accessible part of the RXFIFO and is located in the range between CAN Address 96 and 108. Each message is subdivided into a Descriptor and a Data Field.



Message 1 is now available in the Receive Buffer

Note that message 2 should not be read until it has been shifted to address 96 by a Release Receive Buffer Command because this message may be in process now and due to this not fixed.

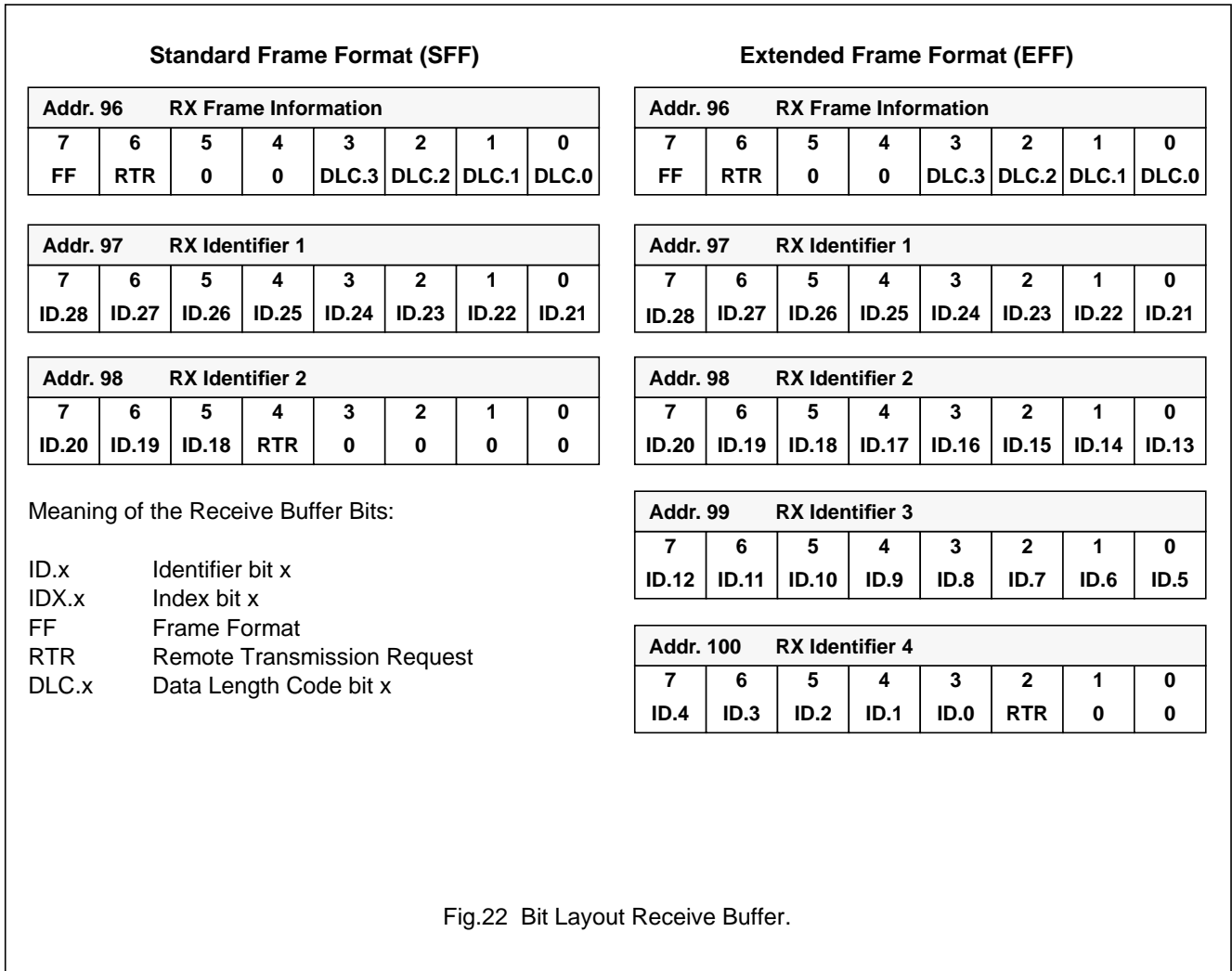
Fig.21 Example of the message storage within the RXFIFO.

Single-chip 8-bit microcontroller with CAN controller

P8xC591

12.5.19.1 Descriptor File of the Receive Buffer

Identifier, Frame Format, Remote Transmission Request bit and Data Length Code have the same meaning as described in the Transmit Buffer.



Note:

The received Data Length Code located in the Frame Information Byte represents the real sent Data Length Code, which may be greater than 8 (depends on transmitting CAN node). Nevertheless, the maximum number of received data bytes is 8. This should be taken into account by reading a message from the Receive Buffer.

It depends on the data length how many CAN messages can fit in the RXFIFO at one time. If there is not enough space for a new message within the RXFIFO, the CAN Controller generates a Data Overrun condition the moment this message becomes valid and the acceptance

test was positive. A message that is partly written into the RXFIFO, when the Data Overrun situation occurs, is deleted. This situation is signalled to the CPU via the Status Register and the Data Overrun Interrupt, if enabled.

It depends on the data length how many CAN messages can fit in the RXFIFO at one time. If there is not enough space for a new message within the RXFIFO, the CAN Controller generates a Data Overrun condition the moment this message becomes valid and the acceptance test was positive. A message that is partly written into the RXFIFO, when the Data Overrun situation occurs, is deleted. This situation is signalled to the CPU via the Status Register and the Data Overrun Interrupt, if enabled.

Single-chip 8-bit microcontroller with CAN controller

P8xC591

13 SERIAL I/O

The P8xC591 is equipped with three independent serial ports: CAN, SIO0 and SIO1. SIO0 is a Standard Serial Interface UART with enhanced functionality. In following there will be one Section describing the Standard UART functionality and an extra Section for Enhanced UART. SIO1 accommodates the I²C bus.

14 SIO0 STANDARD SERIAL INTERFACE UART

The serial port is full duplex, meaning it can transmit and receive simultaneously. It is also receive-buffered, meaning it can commence reception of a second byte before a previously received byte has been read from the register. (However, if the first byte still hasn't been read by the time reception of the second byte is complete, one of the bytes will be lost.) The serial port receive and transmit registers are both accessed at Special Function Register transmit registers are both accessed at Special Function Register S0BUF. Writing to S0BUF loads the transmit register, and reading S0BUF accesses a physically separate receive register.

The serial port can operate in 4 modes (one synchronous mode, three asynchronous modes). The baud rate clock for the serial port is derived from the oscillator frequency (mode 0, 2) or generated either by timer 1 or by dedicated baud rate generator (mode 1, 3).

Mode 0 Shift Register (Synchronous) Mode:

Serial data enters and exits through Rx/D. Tx/D outputs the shift clock. 8 bits are transmitted/received (LSB first). The baud rate is fixed $\frac{1}{6}$ the oscillator frequency.

Mode 1 8-bit UART, Variable Baud Rate:

10 bits are transmitted (through Tx/D) or received (through Rx/D): a start bit (0), 8 data bits (LSB first), and a stop bit (1). On receive, the stop bit goes into RB8 in Special Function Register SCON. The baud rate is variable.

Mode 2 9-bit UART, Fixed Baud Rate:

11 bits are transmitted (through Tx/D) or received (through Rx/D): start bit (0), 8 data bits (LSB first), a programmable 9th data bit, and a stop bit (1). On Transmit, the 9th data bit (TB8 in SCON) can be assigned the value of 0 or 1. Or, for example, the parity bit (P, in the PSW) could be moved into TB8. On receive, the 9th data bit goes into RB8 in Special Function Register SCON, while the stop bit ignored. The baud rate is programmable to either $\frac{1}{16}$ or $\frac{1}{32}$ the oscillator frequency.

Mode 3 9-bit UART, Variable Baud Rate:

11 bits are transmitted (through Tx/D) or received (through Rx/D): start bit (0), 8 data bits (LSB first), a programmable 9th data bit, and a stop bit (1). In fact, Mode 3 is the same as Mode 2 in all respects except baud rate. The baud rate in Mode 3 is variable.

In all four modes, transmission is initiated by any instruction that uses S0BUF as a destination register. Reception is initiated in Mode 0 by the condition RI = 0 and REN = 1. Reception is initiated in the other modes by the incoming start bit if REN = 1.

14.1 Multiprocessor Communications

Modes 2 and 3 have a special provision for multiprocessor communications. In these modes, 9 data bits are received. The 9th one goes into RB8. Then comes a stop bit. The port can be programmed such that when the stop bit is received, the serial port interrupt will be activated only if RB8 = 1. This feature is enabled by setting bit SM2 in SCON. A way to use this feature in multiprocessor systems is as follows:

When the master processor wants to transmit a block of data to one of several slaves, it first send out an address byte which identifies the target slave. An address byte differs from a data byte in that the 9th bit is 1 in an address byte and 0 in a data byte. With SM2 = 1, no slave will be interrupted by a data byte. An address byte, however, will interrupt all slaves, so that each slave can examine the received byte and see if it is being addressed. The addressed slave will clear its SM2 bit and prepare to receive the data bytes that will be coming. The slaves that weren't being addressed leave their SM2s set and go on about their business, ignoring the coming data bytes.

SM2 has no effect in Mode 0, and in Mode 1 can be used to check the validity of the stop bit. In a Mode 1 reception, if SM2 = 1, the receive interrupt will not be activated unless a valid stop bit is received.

14.2 Serial Port Control Register

The serial port control and status register is the Special Function Register SCON, shown in Table 38, 40 and 41. This register contains not only the mode selection bits, but also the 9th data bit for transmit and receive (TB8 and RB8), and the serial port interrupt bits (TI and RI).

S0BUF is the receive and transmit buffer of serial interface. Writing to S0BUF loads the transmit register and initiates transmission. Reading out S0BUF accesses a physically separate receive register.

Single-chip 8-bit microcontroller with CAN controller

P8xC591

14.3 Baud Rate Generation

There are several possibilities to generate the baud rate clock for the serial port depending on the mode in which it is operating.

For clarification some terms regarding the difference between “baud rate clock” and “baud rate” should be mentioned. The serial interface requires a clock rate which is 16 times the baud rate for internal synchronization. Therefore, the baud rate generators have to provide a “baud rate clock” to the serial interface which - there

divided by 16 - results in the actual “baud rate”. However, all formulas given in the following section already include the factor and calculate the final baud rate. Further, the abbreviation f_{CLK} refers to the external clock frequency (oscillator or external input clock operation).

The baud rate of the serial port is controlled by the two bits SPS and SMOD1 which are located in the Special Function Registers S0PSH and PCON. In SFRs S0PSH and S0PSL the prescaler load value of the internal baud rate generator can be programmed (see Table 38 to 43).

14.3.1 INTERNAL BAUD RATE GENERATOR PRESCALER S0PSH, S0PSL**Table 38** Internal Baud Rate Generator Prescaler Low Register S0PSL (address FAH)

Prescaler load value

7	6	5	4	3	2	1	0
prescaler load value							

Table 39 Description of S0PSL bits

BIT	SYMBOL	DESCRIPTION
7 to 0	–	Baud reload low value. Lower 8 bits of the baud rate timer reload value.

Table 40 Internal Baud Rate Generator Prescaler High Register S0PSH (address FBH)

Prescaler higher nibble load value

7	6	5	4	3	2	1	0
SPS	–	–	–	higher nibble load value			

Table 41 Description of S0PSH bits

BIT	SYMBOL	DESCRIPTION
7	SPS	Baud rate generator enable. When set, the baud rate of serial interface is derived from the dedicated baud rate generator. When cleared (default after reset), baud rate is derived from the Timer 1 overflow rate.
6 to 4	–	Reserved.
3 to 0	–	Baud rate generator reload high value. Upper four bits of the baud rate timer value.

14.3.2 PCON FOR THE INTERNAL BAUD RATE GENERATOR**Table 42** PCON (address 87H)

Prescaler load value

7	6	5	4	3	2	1	0
SMOD1	SMOD0	(POF)	(WLE)	(GF1)	(GF0)	(PD)	(IDL)

Table 43 Description of SMOD1 and SMOD0 bits

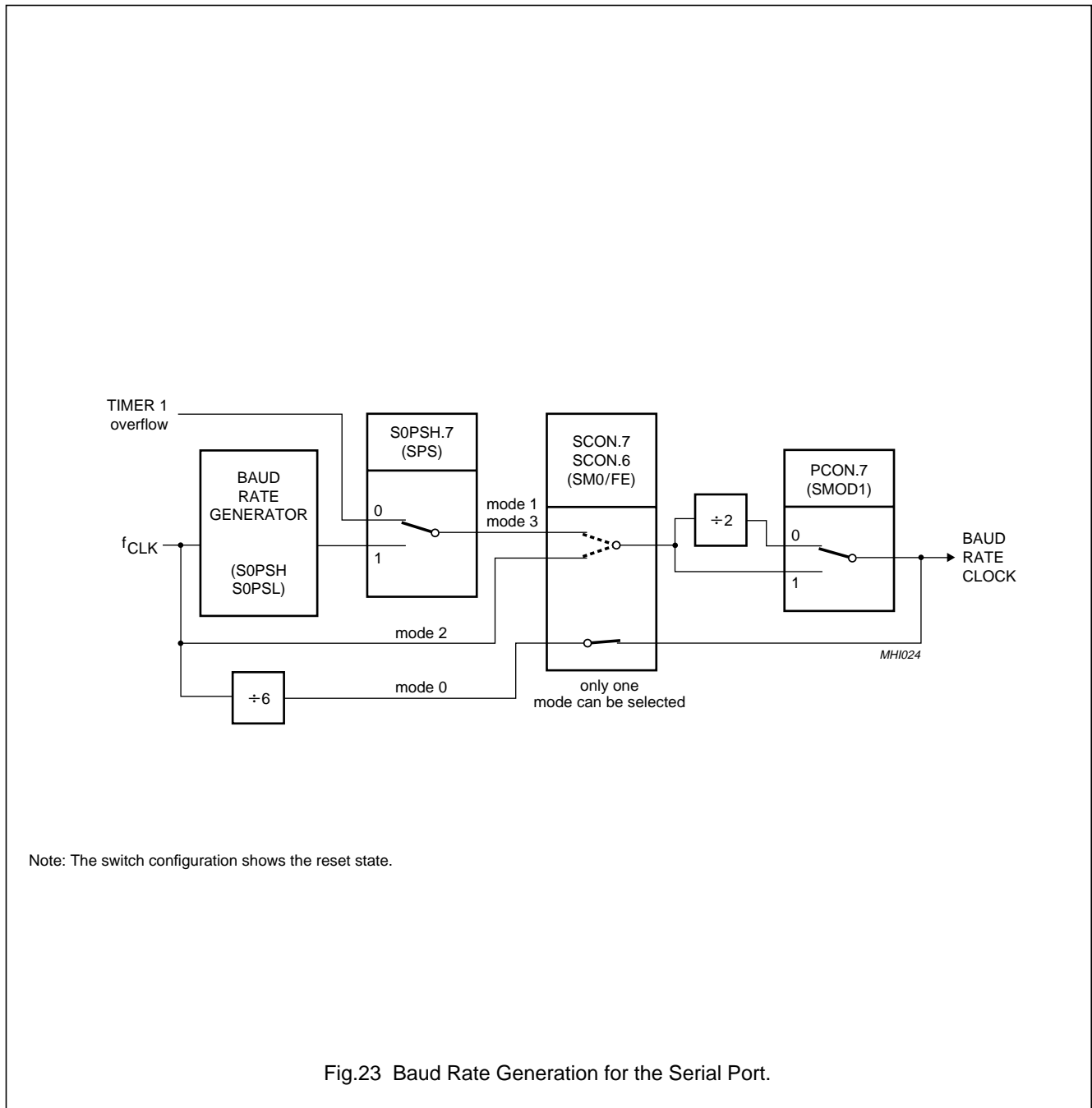
BIT	SYMBOL	DESCRIPTION
7	SMOD1	Double Baud rate. When set, the baud rate of serial interface is modes 1, 2, 3 is doubled. After reset this bit is cleared.
6	SMOD0	Double Baud rate. Selects SM0/FE for SCON.7 bit.
5 to 0	(POF) to (IDL)	Description refer to Section 11.3.5 “Power Control Register (PCON)”.

Single-chip 8-bit microcontroller with CAN controller

P8xC591

14.3.3 BAUD RATE GENERATION OVERVIEW OF OPTIONS

Depending on the programmed operating mode different paths are selected for the baud rate clock generation. Figure 23 shows the dependencies of the serial port baud rate clock generation on the two control bits and from the mode which is selected in the Special Function Register SCON:



Note: The switch configuration shows the reset state.

Fig.23 Baud Rate Generation for the Serial Port.

Single-chip 8-bit microcontroller with CAN controller

P8xC591

14.3.4 BAUD RATE IN MODE 0

The baud rate in Mode 0 is fixed to:

$$\text{Mode 0 baud rate} = \frac{\text{oscillator frequency}}{6}$$

14.3.5 BAUD RATE IN MODE 2

The baud rate in Mode 2 depends on the value of bit SMOD1 in Special Function Register PCON. If SMOD1 = 0 (which is the value after reset), the baud rate is 1/32 of oscillator frequency. If SMOD1 = 1, the baud rate is 1/16 of the oscillator frequency:

$$\text{Mode 2 baud rate} = \frac{2^{\text{SMOD1}}}{32} \times \text{oscillator frequency}$$

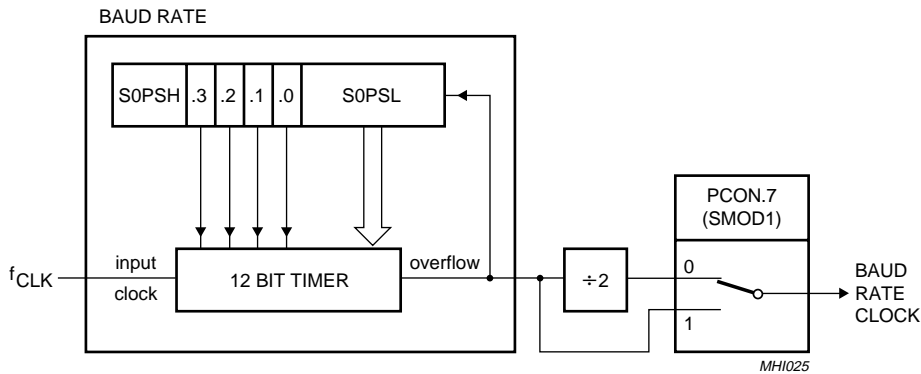
14.3.6 BAUD RATE IN MODE 1 AND 3

In these modes the baud rate is variable and can be generated alternatively by a baud rate generator or by Timer 1.

14.3.7 USING THE INTERNAL BAUD RATE GENERATOR

In Modes 1 and 3, the P8xC591 can use an internal baud rate generator for the serial port. To enable this feature, bit SPS (bit 7 of Special Function Register S0PSH) must be set. Bit SMOD1 (PCON.7) controls a divide-by-2 circuit which affect the input and output clock signal of the baud rate generator. After reset the divide-by-2 circuit is active and the resulting overflow output clock will be divided by 2. The input clock of the baud rate generator is f_{CLK}.

The baud rate generator consists of its own free running upward counting 12-bit timer. On overflow of this timer (next count step after counter value FFFH) there is an automatic 12-bit reload from the registers S0PSL and S0PSH. The lower 8 bits of the timer are reloaded from S0PSL, while the upper four bits are reloaded from bit 0 to 3 of register S0PSH. The baud rate timer is reloaded by writing to S0PSH.



Note: The switch configuration shows the reset state.

Fig.24 Serial Port Input Clock when using the Baud Rate Generator.

Single-chip 8-bit microcontroller with CAN controller

P8xC591

With the baud rate generator as clock source for the serial port in Mode 1 and Mode 3, the baud rate of can be determined as follows:

Mode 1, 3 baud rate =

$$\frac{2^{SMOD1} \times \text{oscillator frequency}}{32 \times (\text{baud rate generator overflow rate})}$$

Baud rate generator overflow rate =

$$2^{12} - S0PS \text{ with } S0PS = S0PSH.3 - 0, S0PSL.7 - 0.$$

S0PS: Baud Rate Generator Prescaler load value

Table 47 lists baud rates and how they can be obtained from the Internal Baud Rate Generator.

14.3.8 USING TIMER 1 TO GENERATE BAUD RATES

In Mode 1 and 3 of the serial port also timer 1 can be used for generating baud rates. Then the baud rate is determined by the timer 1 overflow rate and the value of SMOD1 as follows:

$$\text{Mode 1, 3 baud rate} = \frac{2^{SMOD1}}{32} \times (\text{timer 1 overflow rate})$$

The Timer 1 interrupt is usually disabled in this application. Timer 1 itself can be configured for either “timer” or “counter” operation, and in any of its operating modes. In most typical applications, it is configured for “timer” operation in the auto-reload (high nibble of TMOD = 0010B). In this case the baud rate is given by the formula:

$$\text{Mode 1, 3 baud rate} = \frac{2^{SMOD1} \times \text{oscillator frequency}}{32 \times 6 \times (256 - (TH1))}$$

Very low baud rates can be achieved with Timer 1 if leaving the Timer 1 interrupt enabled, configuring the timer to run as 16-bit timer (high nibble of TMOD = 0001B), and using the Timer 1 interrupt for a 16-bit software reload.

Table 48 lists lower baud rates and how they can be obtained from Timer 1.

Table 44 Serial Port Control Register SCON (address)

7	6	5	4	3	2	1	0
SM0	SM1	SM2	REN	TB8	RB8	TI	RI

Table 45 Description of S0PSH and S0PSL bits

BIT	SYMBOL	DESCRIPTION
7	SM0	See Table 46.
6	SM1	See Table 46.
5	SM2	Enables the multiprocessor communication feature in Modes 2 and 3. In Mode 2 or 3, if SM2 is set to 1, then RI will not be activated if the received 9 th data bit (RB8) is 0. In Mode 1, if SM2 = 1 then RI will not be activated if a valid stop bit was not received. In Mode 0, SM2 should be 0.
4	REN	Enables serial reception. Set by software to enable reception. Clear by software to disable reception.
3	TB8	The 9th data bit that will be transmitted in Modes 2 and 3. Set or clear by software as desired.
2	RB8	In Modes 2 and 3, is the 9th data bit that was received. In Mode 1, if SM2 = 0, RB8 is the stop bit that was received. In Mode 0, RB8 is not used.
1	TI	Transmit interrupt flag. Set by hardware at the end of the 8 th bit time in Mode 0, or at the beginning of the stop bit in the other modes, in any serial transmission. Must be cleared by software.
0	RI	Receive interrupt flag. Set by hardware at the end of the 8 th bit time in Mode 0, or halfway through the stop bit time in the other modes, in any serial reception (except see SM2). Must be cleared by software.

Single-chip 8-bit microcontroller with CAN controller

P8xC591

Table 46 Serial port mode select

SM0	SM1	MODE	DESCRIPTION	BAUD RATE
0	0	Mode 0	Shift register	$\frac{1}{6} \times f_{CLK}$
0	1	Mode 1	8-bit UART	variable
1	0	Mode 2	9-bit UART	$\frac{1}{32}$ or $\frac{1}{16} \times f_{CLK}$
1	1	Mode 3	9-bit UART	variable

Table 47 Internal baud rate timer generated baud rates

BAUD RATE (KBits/s)	f _{CLK} (MHz)	SPS	SMOD1	INTERNAL BAUD RATE TIMER		
				DEVIATION %	MODE	RELOAD VALUE
1000	16	1	1	0	1/3	FFFh
750	12	1	1	0	1/3	FFFh
500	8	1	1	0	1/3	FFFh
250	8	1	0	0	1/3	FFFh
250	8	1	1	0	1/3	FFEh
38.4	8	1	1	0.16	1/3	FF3h
38.4	16	1	0	0.16	1/3	FF3h
19.2	4	1	1	0.16	1/3	FF3h
9.6	16	1	1	0.16	1/3	F98h
4.8	16	1	1	0.16	1/3	F30h
0.3	16	1	1	0.01	1/3	2FBh
0.11	8	1	0	-0.01	1/3	71Fh

Table 48 Timer 1 generated baud rates

BAUD RATE (KBits/s)	f _{CLK} (MHz)	SPS	SMOD1	INTERNAL BAUD RATE TIMER		
				DEVIATION %	MODE	RELOAD VALUE
110	16	0	1	0.01	1	FA15h
110	12	0	0	0.03	1	FDC8h
110	4	0	1	-0.06	1	FE85h
110	4	0	0	0.21	2	43h

Single-chip 8-bit microcontroller with CAN controller

P8xC591

14.4 More about UART Modes**More About Mode 0**

Serial data enters and exits through RxD. TxD outputs the shift clock. 8 bits are transmitted/received: 8 data bits (LSB first). The baud rate is fixed a $\frac{1}{6}$ the oscillator frequency.

Figure 25 shows a simplified functional diagram of the serial port in Mode 0, and associated timing.

Transmission is initiated by any instruction that uses S0BUF as a destination register. The "write to S0BUF" signal at S6P2 also loads a 1 into the 9th position of the transmit shift register and tells the TX Control block to commence a transmission. The internal timing is such that one full machine cycle will elapse between "write to S0BUF" and activation of SEND.

SEND enables the output of the shift register to the alternate output function line of P3.0 and also enable SHIFT CLOCK to the alternate output function line of P3.1. SHIFT CLOCK is low during S3, S4, and S5 of every machine cycle, and high during S6, S1 and S2. At S6P2 of every machine cycle in which SEND is active, the contents of the transmit shift are shifted to the right one position.

As data bits shift out to the right, zeros come in from the left. When the MSB of the data byte is at the output position of the shift register, then the 1 that was initially loaded into the 9th position, is just to the left of the MSB, and all positions to the left of that contain zeros. This condition flags the TX Control block to do one last shift and then deactivate SEND and set T1. Both of these actions occur at S1P1 of the 10th machine cycle after "write to S0BUF".

Reception is initiated by the condition REN = 1 and R1 = 0. At S6P2 of the next machine cycle, the RX Control unit writes the bits 11111110 to the receive shift register, and in the next clock phase activates RECEIVE.

RECEIVE enable SHIFT CLOCK to the alternate output function line of P3.1. SHIFT CLOCK makes transitions at S3P1 and S6P1 of every machine cycle. At S6P2 of every machine cycle. At S6P2 of every machine cycle in which RECEIVE is active, the contents of the receive shift register are shifted to the left one position. The value that comes in from the right is the value that was sampled at the P3.0 pin at S5P2 of the same machine cycle.

As data bits come in from the right, 1s shift out to the left. When the 0 that was initially loaded into the rightmost position arrives at the leftmost position in the shift register, it flags the RX Control block to do one last shift and load S0BUF. At S1P1 of the 10th machine cycle after the write to SCON that cleared RI, RECEIVE is cleared as RI is set.

More About Mode 1

Ten bits are transmitted (through TxD), or received (through RxD): a start bit (0), 8 data bits (LSB first), and a stop bit (1). On receive, the stop bit goes into RB8 in SCON. In the 80C51 the baud rate is determined by the Timer 1 overflow rate.

Figure 26 shows a simplified functional diagram of the serial port in Mode1, and associated timings for transmit receive.

Transmission is initiated by any instruction that uses S0BUF as a destination register. The "write to S0BUF" signal also loads a 1 into the 9th bit position of the transmit shift register and flags the TX Control unit that a transmission is requested. Transmission actually commences at S1P1 of the machine cycle following the next rollover in the divide-by-16 counter. (Thus, the bit times are synchronized to the divide-by-16 counter, not to the "write to S0BUF" signal.)

The transmission begins with activation of SEND which puts the start bit at TxD. One bit time later, DATA is activated, which enables the output bit of the transmit shift register to TxD. The first shift pulse occurs one bit time after that.

As data bits shift out to the right, zeros are clocked in from the left. When the MSB of the data byte is at the output position of the shift register, then the 1 that was initially loaded into the 9th position is just to the left of the MSB, and all positions to the left of that contain zeros. The condition flags the TX Control unit to do one last shift and then deactivate SEND and set TI. This occurs at the 10th divide-by-16 rollover after "write to S0BUF".

Reception is initiated by a detected 1-to-0 transition at RxD. For this purpose RxD is sampled at a rate of 16 times whatever baud rate has been established. When a transition is detected, the divide-by-16 counter is immediately reset, and 1 FFH is written into the input shift register. Resetting the divide-by-16 counter aligns its rollovers with the boundaries of the incoming bit times.

The 16 states of the counter divide each bit time into 16^{ths}. At the 7th, 8th, and 9th counter states of each bit time, the bit detector samples the value of RxD. The value accepted is the value that was seen in at least 2 of the 3 samples. This is done for noise rejection. If the value accepted during the first bit time is not 0, the receive circuits are reset and the unit goes back to looking for another 1-to-0 transition. This is to provide rejection of false start bits. If the start bit proves valid, it shifted into the input shift register, and reception of the rest of the frame will proceed.

Single-chip 8-bit microcontroller with CAN controller

P8xC591

As data bits come in from the right, 1s shift out to the left. When the start bit arrives at the leftmost position in the shift register (which in Mode 1 is a 9-bit register), it flags the RX Control block to do one last shift, load S0BUF and RB8, and set RI. The signal to load S0BUF and RB8, and to set RI, will be generated if, and only if, the following conditions are met at the time the final shift pulse is generated:

1. RI = 0, and
2. Either SM2 = 0, or the received stop bit = 1.

If either of these two conditions is not met, the received frame is irretrievably lost. If both conditions are met, the stop bit goes into RB8, the 8 data bits go into S0BUF, and RI is activated. At this time, whether the above conditions are met or not, the unit goes back to looking for a 1-to-0 transition in RxD.

More About Modes 2 and 3

Eleven bits are transmitted (through TxD), or received (through RxD): a start bit (0), 8 data bits (LSB first), a programmable 9th data bit, and a stop bit (1). On transmit, the 9th data bit (TB8) can be assigned the values of 0 or 1. On receive, the 9th data bit goes into RB8 in SCON. The baud rate is programmable to either $\frac{1}{16}$ or $\frac{1}{32}$ the oscillator frequency in Mode 2. Mode 3 may have a variable baud rate generated from Timer 1.

Figure 27 show a functional diagram of the serial port in Modes 2 and 3. The receive portion is exactly the same as in Mode 1. The transmit portion differs from Mode 1 only in the 9th bit of the transmit shift register.

Transmission is initiated by any instruction that uses S0BUF as a destination register. The "write to S0BUF" signal also loads TB8 into the 9th bit position of the transmit shift register and flags the TX Control unit that a transmission is requested. Transmission commences at S1P1 of the machine cycle following the next rollover in the divide-by-16 counter. (Thus, the bit times are synchronized to the divide-by-16 counter, not to the "write to SUB" signal).

The transmission begins with activation of SEND, which puts the start bit at TxD. One bit time later, DATA is activated, which enables the output bit of the transmit shift register to TxD. The first shift pulse occurs one bit time after that. The first shift clocks a 1 (the stop bit) into the 9th bit position of the shift register. Thereafter, only zeros are clocked in. Thus, as data bit shift out to the right, zeros are clocked in from the left. When TB8 is at the output position of the shift register, then the stop bit is just to the left of TB8, and all positions to the left of that contain zeros. This condition flags the TX Control unit to do one last shift

and then deactivate SEND and set TI. This occurs at the 11th divide-by-16 rollover after "write to SUBF".

Reception is initiated by a detected 1-to-0 transition at RxD. For this purpose RxD is sampled at a rate of 16 times whatever baud rate has been established. When a transition is detected, the divide-by-16 counter is immediately reset, and 1FFH is written to the input shift register.

At the 7th, 8th, and 9th counter states of each bit time, the bit detector samples the value of R-D. The value accepted is the value that was seen in at least 2 of the 3 samples. If the value accepted during the first bit time is not 0, the receive circuits are reset and the unit goes back to looking for another 1-to-0 transition. If the start bit proves valid, it is shifted into the input shift register, and reception of the rest of the frame will proceed.

As data bits come in from the right, 1s shift out to the left. When the start bit arrives at the leftmost position in the shift register (which in Modes 2 and 3 is a 9-bit register), it flags the RX Control block to do one last shift, load S0BUF and RB8, and set RI.

The signal to load S0BUF and RB8, and to set RI, will be generated if, and only if, the following conditions are met at the time the final shift pulse is generated.

1. RI = 0, and
2. Either SM2 = 0, or the received 9th data bit = 1.

If either of these conditions is not met, the received frame is irretrievably lost, and RI is not set. If both conditions are met, the received 9th data bit goes into RB8, and the first 8 data bits go into S0BUF. One bit time later, whether the above conditions were met or not, the unit goes back to looking for a 1-to-0 transition at the RxD input.

Single-chip 8-bit microcontroller with CAN controller

P8xC591

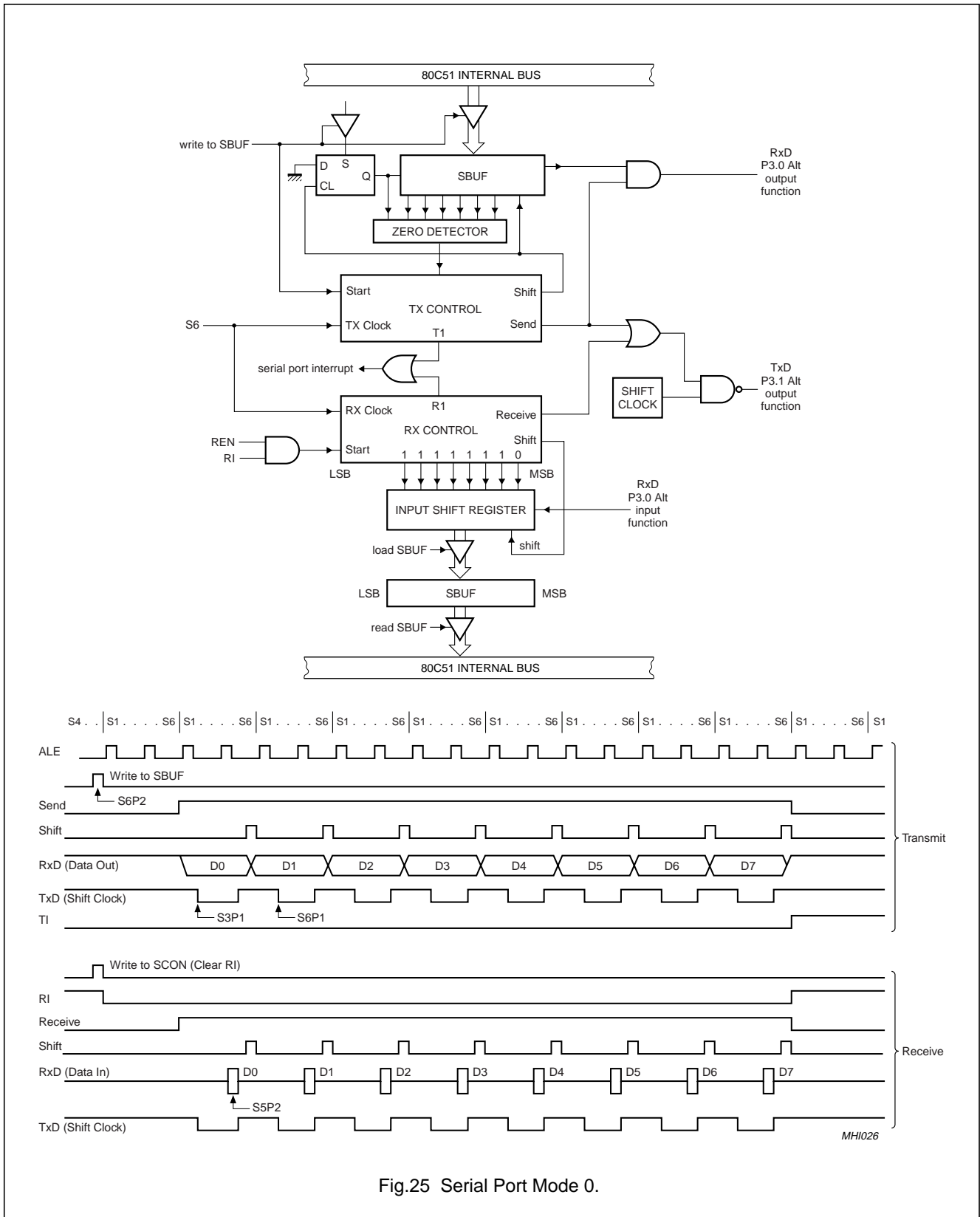


Fig.25 Serial Port Mode 0.

Single-chip 8-bit microcontroller with CAN controller

P8xC591

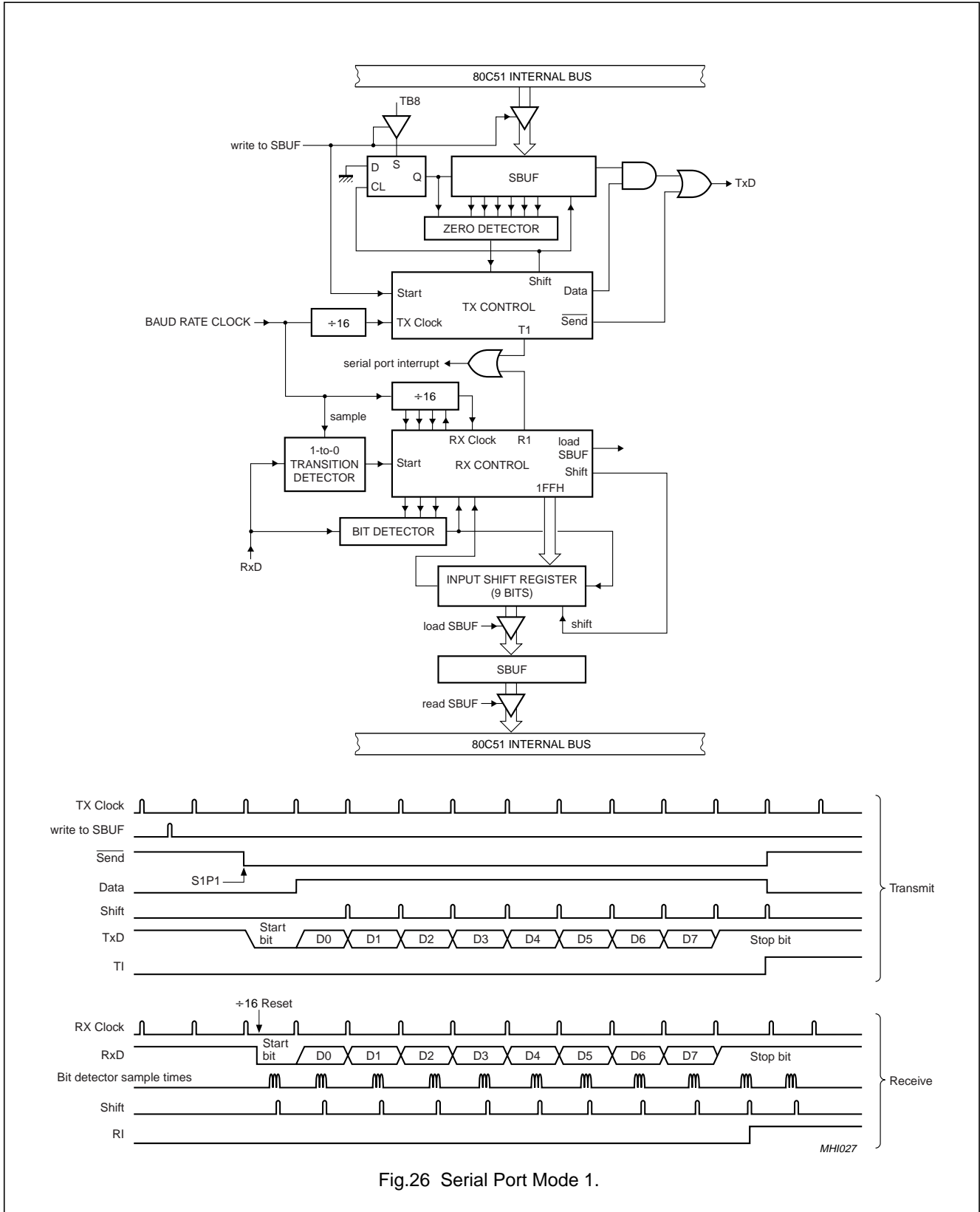


Fig.26 Serial Port Mode 1.

Single-chip 8-bit microcontroller with CAN controller

P8xC591

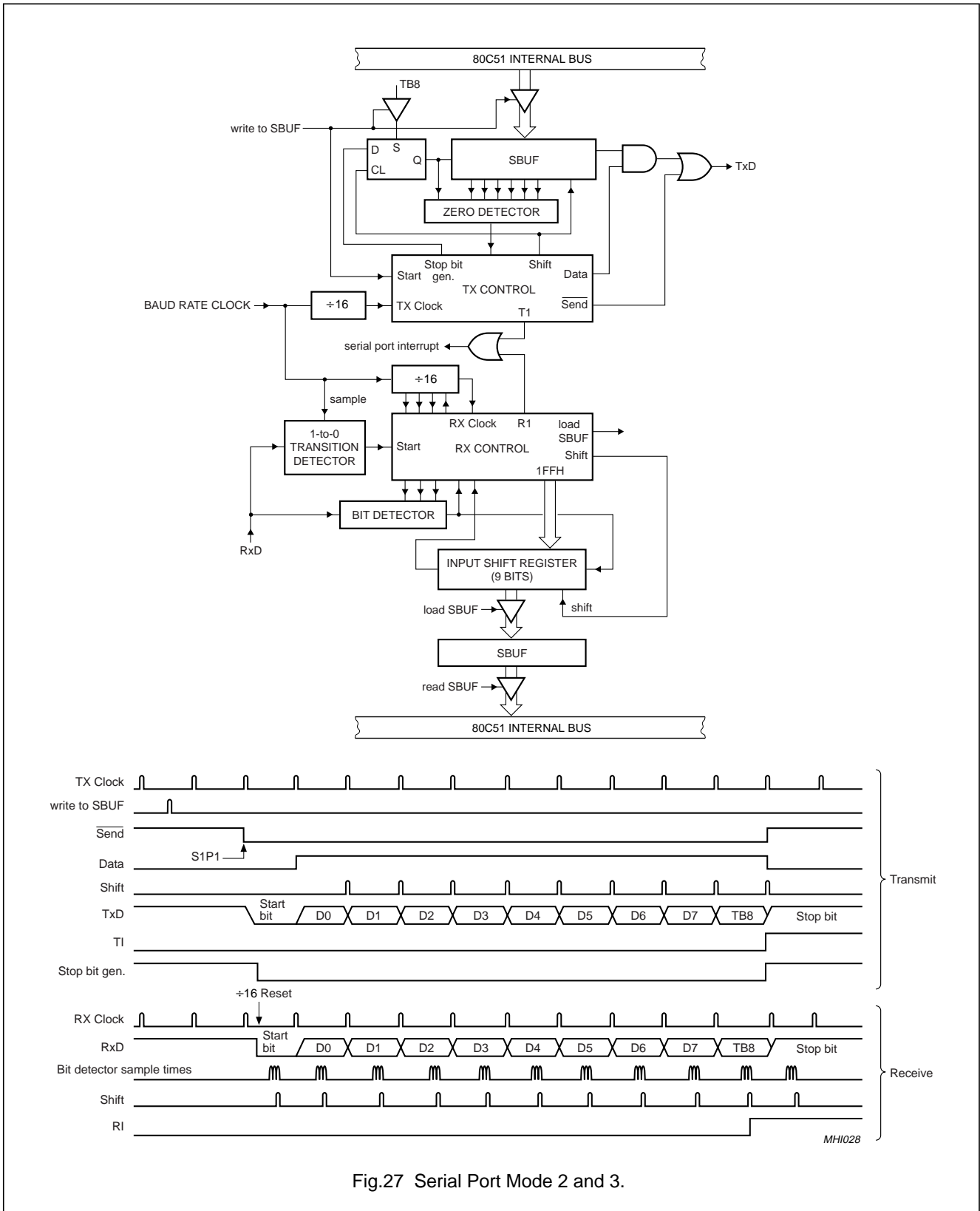


Fig.27 Serial Port Mode 2 and 3.

Single-chip 8-bit microcontroller with CAN controller

P8xC591

14.5 Enhanced UART

The UART operates in all of the usual modes that are described in the Section of Standard Serial Interface, 80C51-Based 8-Bit Microcontrollers. In addition the UART can perform framing error detect by looking for missing stop bits, and automatic address recognition. The UART also fully supports multiprocessor communication as does the standard 80C51 UART.

When used for framing error detect the UART looks for missing stop bits in the communication. A missing bit will set the FE bit in the S0CON register. The FE bit shares the S0CON.7 bit with SM0 and the function of S0CON.7 is determined by PCON.6 (SMOD0) see Table 50. If SMOD0 is set then S0CON.7 functions as FE. S0CON.7 functions as SM0 when SMOD0 is cleared. When as FE S0CON.7 can only be cleared by software. Refer to Figure 25.

14.5.1 AUTOMATIC ADDRESS RECOGNITION

Automatic Address Recognition is a feature which allows the UART to recognize certain addresses in the serial bit stream by using hardware to make the comparisons. This feature saves a great deal of software overhead by eliminating the need for the software to examine every serial address which passes by the serial port. This feature is enabled by setting the SM2 bit in S0CON. In the 9 bit UART modes, mode 2 and mode 3, the Receive Interrupt flag (RI) will be automatically set when the received byte contains either the "Given" address or the "Broadcast" address. The 9 bit mode requires that the 9th information bit is a 1 to indicate that the received information is an address and not data. Automatic address recognition is shown in Figure 29.

The 8 bit mode is called Mode 1. In this mode the RI flag will be set if SM2 is enabled and the information received has a valid stop bit following the 8 address bits and the information is either a Given or Broadcast address.

14.5.2 SERIAL PORT CONTROL REGISTER (S0CON)**Table 49** Serial Port Control Register (address 98H)

7	6	5	4	3	2	1	0
SM0/FE	SM1	SM2	REN	TB8	RB8	TI	RI

Table 50 Description of S0CON bits

BIT	SYMBOL	DESCRIPTION
7	FE	Framing Error bit. This bit is set by the receiver when an invalid stop bit is detected. The FE bit is not cleared by valid frames but should be cleared by software.
	SM0	Serial Port Mode Bit 0, (SMOD0 must = 0 to access bit SM0), see Table 46.
6	SM1	These bits are used to select the serial port mode; see Table 46.
5	SM2	Enables the Automatic Address Recognition feature in Modes 2 and 3. If SM2 = 1, then RI will not be set unless the received 9 th data bit (RB8) is a logic 1, indicating an address, and the received byte is a Given or Broadcast Address. In Mode 1, if SM2 = 1, then RI will not be activated unless a valid stop bit was not received, and the received byte is a Given or Broadcast Address. In Mode 0, SM2 should be a logic 0.
4	REN	Enables serial reception. Set by software to enable reception. Clear by software to disable reception.
3	TB8	The 9 th data bit that will be transmitted in Modes 2 and 3. Set or clear by software as desired.
2	RB8	In modes 2 and 3, the 9 th data bit that was received. In Mode 1, if SM2 = 0, RB8 is the stop bit that was received. In Mode 0, RB8 is not used.
1	TI	Transmit Interrupt flag. Set by hardware at the end of the 8 th bit time in Mode 0, or at the beginning of the stop bit in the other modes, in any serial transmission. Must be cleared by software.
0	RI	Receive Interrupt flag. Set by hardware at the end of the 8 th bit time in Mode 0, or halfway through the stop bit time in the other modes, in any serial reception (except see SM2). Must be cleared by software.

Single-chip 8-bit microcontroller with CAN controller

P8xC591

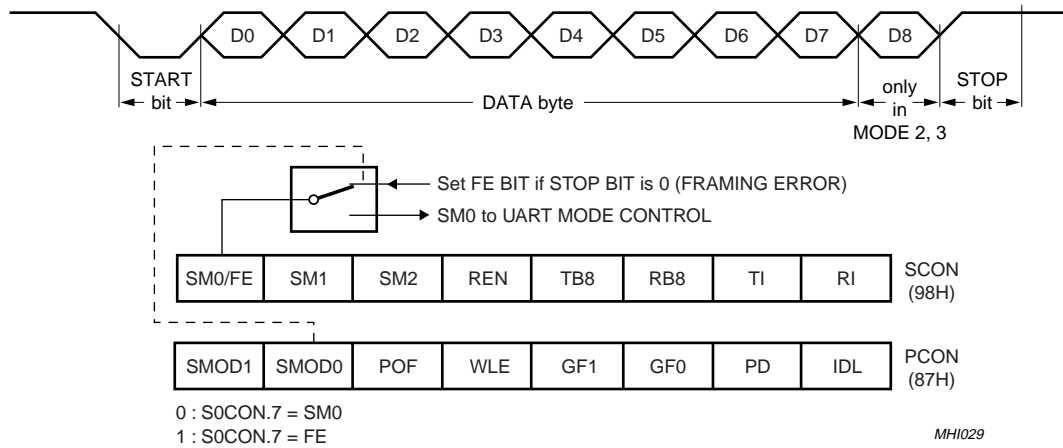
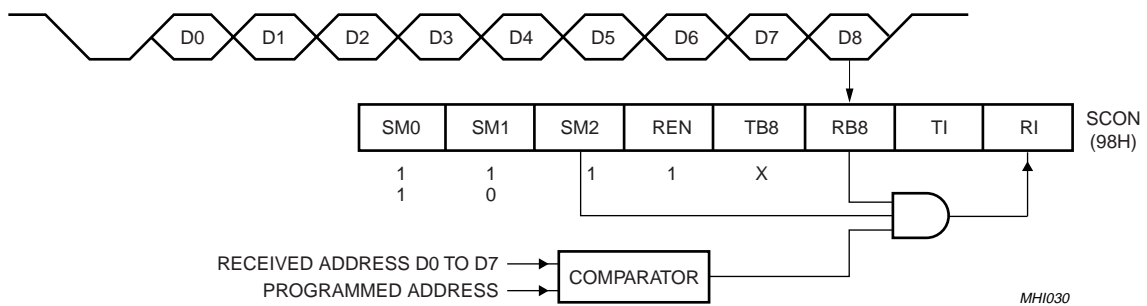


Fig.28 UART Framing Error Detection.



In UART Mode 2 or Mode 3 and SM2 = 1:
 Interrupt if REN = 1, RB8 = 1 and "Received Address" = "Programmed Address"
 ± when own address received, clear SM2 to receive data bytes
 ± when all data bytes have been received: set SM2 to wait for next address.

Fig.29 UART Multiprocessor Communication, Automatic Address Recognition.

Single-chip 8-bit microcontroller with CAN controller

P8xC591

Mode 0 is the Shift Register mode and SM2 is ignored.

Using the Automatic Address Recognition feature allows a master to selectively communicate with one or more slaves by invoking the Given slave address or addresses. All of the slaves may be contacted by using the Broadcast address. All of the slaves may be contacted by using the Broadcast address. Two Special Function Registers are used to define the slave's address, SADDR, and the address mask, SADEN. SADEN is used to define which bits in the SADDR are to be used and which bits are "don't care". The SADEN mask can be logically ANDed with the SADDR to create the "Given" address which the master will use for addressing each of the slaves. Use of the Given address allows multiple slaves to be recognized while excluding others. The following examples will help to show the versatility of this scheme:

```
Slave 0  SADDR = 1100 0000
         SADEN = 1111 1101
         Given  = 1100 00X0

Slave 1  SADDR = 1100 0000
         SADEN = 1111 1110
         Given  = 1100 000X
```

In the above example SADDR is the same and the SADEN data is used to differentiate between the two slaves. Slave 0 requires a 0 in bit 0 and it ignores bit 1. Slave 1 requires a 0 in bit 1 and bit 0 is ignored. A unique address for Slave 0 would be 1100 0010 since slave 1 requires a 0 in bit 1. A unique address for Slave 1 would be 1100 0001 since a 1 in bit 0 will exclude slave 0. Both slaves can be selected at the same time by an address which has bit 0 = 0 (for Slave 0) and bit 1 = 0 (for Slave 1). Thus, both could be addressed with 1100 0000.

In a more complex system the following could be used to select Slaves 1 and 2 while excluding Slave 0:

```
Slave 0  SADDR = 1100 0000
         SADEN = 1111 1001
         Given  = 1100 0XX0

Slave 1  SADDR = 1110 0000
         SADEN = 1111 1010
         Given  = 1110 0X0X

Slave 2  SADDR = 1110 0000
         SADEN = 1111 1100
         Given  = 1110 00XX
```

In the above example the differentiation among the 3 Slaves is in the lower 3 address bits. Slave 0 requires that bit 0 = 0 and it can be uniquely addressed by 1110 0110. Slave 1 requires that bit 1 = 0 and it can be uniquely addressed by 1110 and 0101. Slave 2 requires that bit 2 = 0 and its unique address is 1110 0011. To select Slaves 0 and 1 and exclude Slave 2 use address 1110 0100, since it is necessary to make bit 2 = 1 to exclude Slave 2.

The Broadcast Address for each slave is created by taking the logical OR of SADDR and SADEN. Zeros in this result are treated as don't cares. In most cases, interpreting the don't-cares as ones, the broadcast address will be FF hexadecimal.

Upon reset SADDR (SFR address 0A9H) and SADEN (SFR address 0B9H) are loaded with 0s. This produces a given address of all "don't cares" as well as a Broadcast address of all "don't cares". This effectively disables the Automatic Addressing mode and allows the microcontroller to use standard 80C51 type UART drivers which do not make use of this feature.

15 SIO1, I²C SERIAL IO

The I²C bus uses two wires (SDA and SCL) to transfer information between devices connected to the bus. The main features of the bus are:

- Bidirectional data transfer between masters and slaves
- Multimaster bus (no central master)
- Arbitration between simultaneously transmitting masters without corruption of serial data on the bus
- Serial clock synchronization allows devices with different bit rates to communicate via one serial bus
- Serial clock synchronization can be used as a handshake mechanism to suspend and resume serial transfer
- The I²C bus may be used for test and diagnostic purposes

The I/O pins P1.6 and P1.7 must be set to Open Drain (SCL and SDA).

The 8xC591 on-chip I²C logic provides a serial interface that meets the I²C bus specification. The SIO1 logic handles bytes transfer autonomously. It also keeps track of serial transfers, and a status register (S1STA) reflects the status of SIO1 and the I²C bus.

Single-chip 8-bit microcontroller with CAN controller

P8xC591

The CPU interfaces to the I²C logic via the following four special function registers: S1CON (SIO1 control register), S1STA (SIO1 status register), S1DAT (SIO1 data register), and S1ADR (SIO1 slave address register). The SIO1 logic interfaces to the external I²C bus via two port 1 pins: P1.6/SCL (serial clock line) and P1.7/SDA (serial data line).

A typical I²C bus configuration is shown in Figure 30, and Figure 31 shows how a data transfer is accomplished on the bus. Depending on the state of the direction bit (R/W), two types of data transfers are possible on the I²C bus:

1. Data transfer from a master transmitter to a slave receiver. The first byte transmitted by the master is the slave address. Next follows a number of data bytes. The slave returns an acknowledge bit after each received byte.
2. Data transfer from a slave transmitter to a master receiver. The first byte (the slave address) is transmitted by the master. The slave then returns an acknowledge bit. Next follows the data bytes transmitted by the slave to the master. The master returns an acknowledge bit after all received bytes other than the last byte. At the end of the last received byte, a not acknowledge is returned.

The master device generates all of the serial clock pulses and the START and STOP conditions. A transfer is ended with a STOP condition or with a repeated START condition. Since a repeated START condition is also the beginning of the next serial transfer, the I²C bus will not be released.

15.1 Modes of Operation

The on-chip SIO1 logic may operate in the following four modes:

1. **Master Transmitter Mode:**
Serial data output through P1.7/SDA while P1.6/SCL outputs the serial clock. The first byte transmitted contains the slave address of the receiving device (7 bits) and the data direction bit. In this case the data direction bit (R/W) will be logic 0, and we say that a "W" is transmitted. Thus the first byte transmitted is SLA+W. Serial data is transmitted 8 bits at a time. After each byte is transmitted, an acknowledge bit is received. START and STOP conditions are output to indicate the beginning and the end of a serial transfer.

2. **Master Receiver Mode:**
The first byte transmitted contains the slave address of the transmitting device (7 bits) and the data direction bit. In this case the data direction bit (R/W) will be logic 1, and we say that an "R" is transmitted. Thus the first byte transmitted is SLA+R. Serial data is received via P1.7/SDA while P1.6/SCL outputs the serial clock. Serial data is received 8 bits at a time. After each byte is received, an acknowledge bit is transmitted. START and STOP conditions are output to indicate the beginning and end of a serial transfer.
3. **Slave Receiver Mode:**
Serial data and the serial clock are received through P1.7/SDA and P1.6/SCL. After each byte is received, an acknowledge bit is transmitted. START and STOP conditions are recognized as the beginning and end of a serial transfer. Address recognition is performed by hardware after reception of the slave address and direction bit.
4. **Slave Transmitter Mode:**
The first byte is received and handled as in the slave receiver mode. However, in this mode, the direction bit will indicate that the transfer direction is reversed. Serial data is transmitted via P1.7/SDA while the serial clock is input through P1.6/SCL. START and STOP conditions are recognized as the beginning and end of a serial transfer.

In a given application, SIO1 may operate as a master and as a slave. In the slave mode, the SIO1 hardware looks for its own slave address and the general call address. If one of these addresses is detected, an interrupt is requested. When the microcontroller wishes to become the bus master, the hardware waits until the bus is free before the master mode is entered so that a possible slave action is not interrupted. If bus arbitration is lost in the master mode, SIO1 switches to the slave mode immediately and can detect its own slave address in the same serial transfer.

Single-chip 8-bit microcontroller with CAN controller

P8xC591

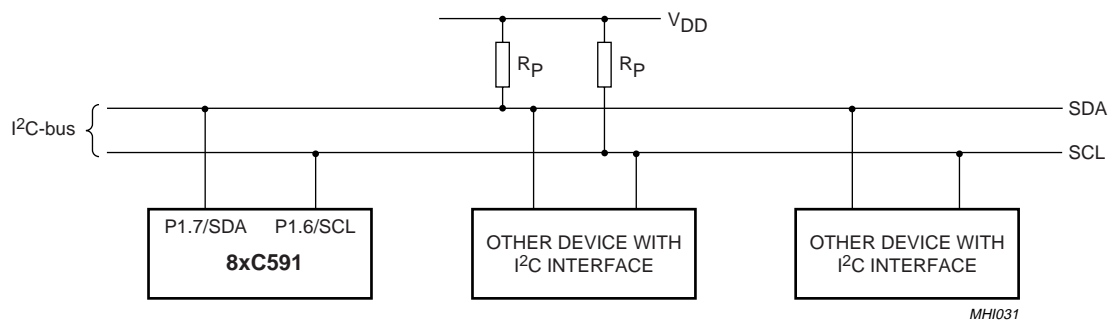


Fig.30 Typical I²C Bus configuration.

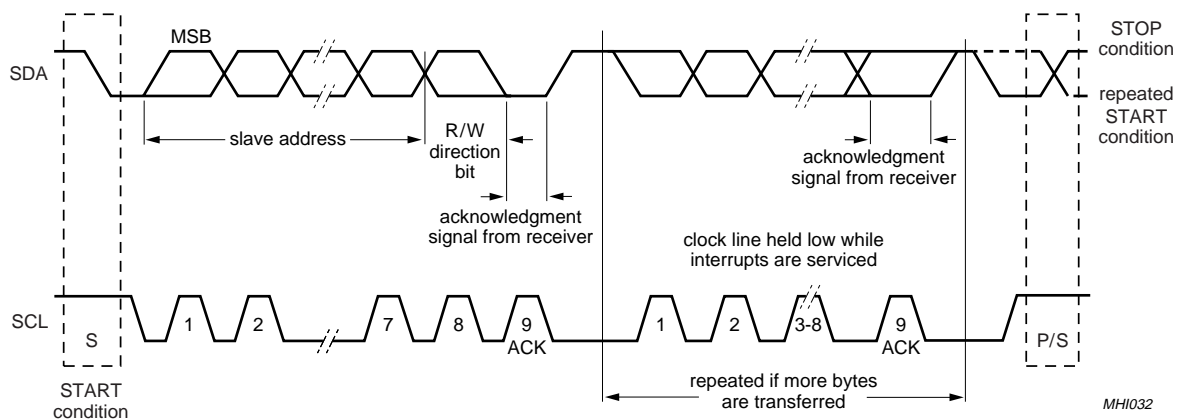


Fig.31 Data Transfer on the I²C Bus.

Single-chip 8-bit microcontroller with CAN controller

P8xC591

15.2 SIO1 Implementation and Operation

Figure 32 shows how the on-chip I²C bus interface is implemented, and the following text describes the individual blocks.

15.2.1 INPUT FILTERS AND OUTPUT STAGES

The input filters have I²C compatible input levels. If the input voltage is less than 1.5 V, the input logic level is interpreted as 0; if the input voltage is greater than 3.0 V, the input logic level is interpreted as 1. Input signals are synchronized with the internal clock ($f_{CLK}/4$), and spikes shorter than three oscillator periods are filtered out.

The output stages consist of open drain transistors that can sink 3 mA at $V_{OUT} < 0.4$ V. These open drain outputs do have clamping diodes to V_{DD} . Thus, precautions have to be considered, if a powered-down 8xC591 on one board clamps the I²C bus externally.

15.2.2 ADDRESS REGISTER, S1ADR

This 8-bit special function register may be loaded with the 7-bit slave address (7 most significant bits) to which SIO1 will respond when programmed as a slave transmitter or receiver. The LSB (GC) is used to enable general call address (00H) recognition.

15.2.3 COMPARATOR

The comparator compares the received 7-bit slave address with its own slave address (7 most significant bits in S1ADR). It also compares the first received 8-bit byte with the general call address (00H). If an equality is found, the appropriate status bits are set and an interrupt is requested.

15.2.4 SHIFT REGISTER, S1DAT

This 8-bit special function register contains a byte of serial data to be transmitted or a byte which has just been received. Data in S1DAT is always shifted from right to left; the first bit to be transmitted is the MSB (bit 7) and, after a byte has been received, the first bit of received data is located at the MSB of S1DAT. While data is being shifted out, data on the bus is simultaneously being shifted in; S1DAT always contains the last byte present on the bus. Thus, in the event of lost arbitration, the transition from master transmitter to slave receiver is made with the correct data in S1DAT.

Single-chip 8-bit microcontroller with CAN controller

P8xC591

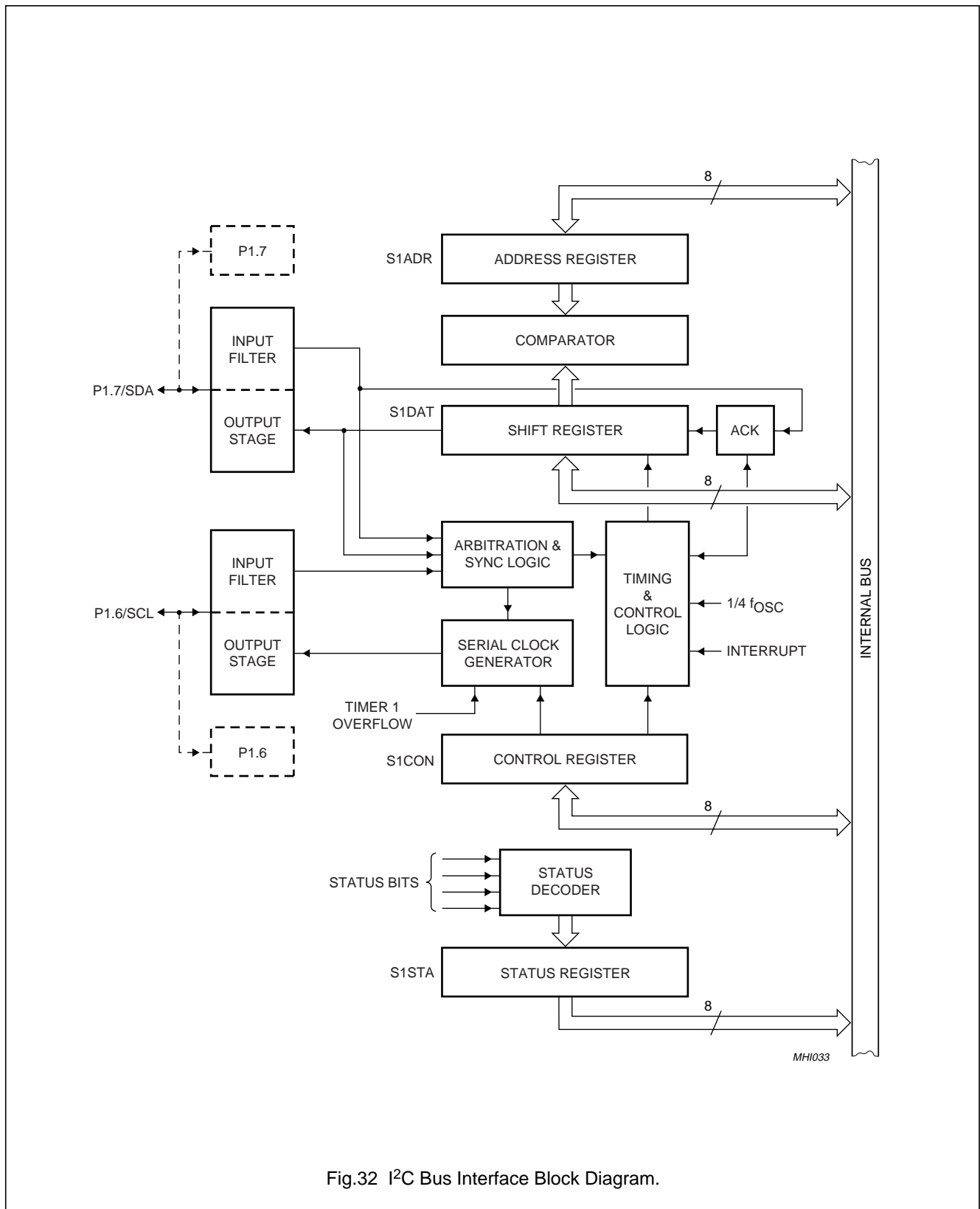
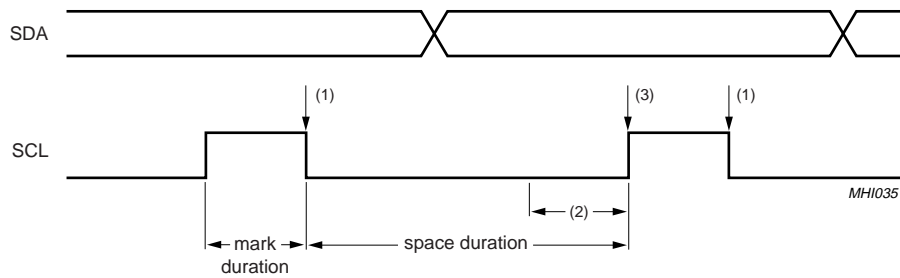


Fig.32 I²C Bus Interface Block Diagram.

Single-chip 8-bit microcontroller with CAN controller

P8xC591



- (1) Another service pulls the SCL line low before the SIO "mask" duration is complete. The serial clock generator is immediately reset and commences with the "space" duration by pulling SCL low.
- (2) Another device still pulls the SCL line low after SIO1 releases SCL. The serial clock generator is forced into the wait state until the SCL line is released.
- (3) The SCL line is released, and the serial clock generator commences with the mark duration.

Fig.34 Serial Clock Synchronization.

15.2.6 SERIAL CLOCK GENERATOR

This programmable clock pulse generator provides the SCL clock pulses when SIO1 is in the master transmitter or master receiver mode. It is switched off when SIO1 is in a slave mode. The programmable output clock frequencies are: $f_{CLK}/120$, $f_{CLK}/9600$, and the Timer 1 overflow rate divided by eight. The output clock pulses have a 50% duty cycle unless the clock generator is synchronized with other SCL clock sources as described above.

15.2.7 TIMING AND CONTROL

The timing and control logic generates the timing and control signals for serial byte handling. This logic block provides the shift pulses for S1DAT, enables the comparator, generates and detects start and stop conditions, receives and transmits acknowledge bits, controls the master and slave modes, contains interrupt request logic, and monitors the I²C bus status.

15.2.8 CONTROL REGISTER, S1CON

This 7-bit special function register is used by the microcontroller to control the following SIO1 functions: start and restart of a serial transfer, termination of a serial transfer, bit rate, address recognition, and acknowledgment.

15.2.9 STATUS DECODER AND STATUS REGISTER

The status decoder takes all of the internal status bits and compresses them into a 5-bit code. This code is unique for each I²C bus status. The 5-bit code may be used to generate vector addresses for fast processing of the various service routines. Each service routine processes a particular bus status. There are 26 possible bus states if all four modes of SIO1 are used. The 5-bit status code is latched into the five most significant bits of the status register when the serial interrupt flag is set (by hardware) and remains stable until the interrupt flag is cleared by software. The three least significant bits of the status register are always zero. If the status code is used as a vector to service routines, then the routines are displaced by eight address locations. Eight bytes of code is sufficient for most of the service routines (see the software example in this section).

15.2.10 THE FOUR SIO1 SPECIAL FUNCTION REGISTERS

The microcontroller interfaces to SIO1 via four special function registers. These four SFRs (S1ADR, S1DAT, S1CON, and S1STA) are described individually in the following sections.

Single-chip 8-bit microcontroller with CAN controller

P8xC591

15.2.10.1 The Address Register, S1ADR

The CPU can read from and write to this 8-bit, directly addressable SFR. S1ADR is not affected by the SIO1 hardware. The contents of this register are irrelevant when SIO1 is in a master mode. In the slave modes, the seven most significant bits must be loaded with the microcontrollers own slave address, and, if the least

significant bit is set, the general call address (00H) is recognized; otherwise it is ignored.

The most significant bit corresponds to the first bit received from the I²C bus after a start condition. A logic 1 in S1ADR corresponds to a high level on the I²C bus, and a logic 0 corresponds to a low level on the bus.

Table 51 Address Register S1ADR (address DBH)

7	6	5	4	3	2	1	0
X	X	X	X	X	X	X	GC

Table 52 Description of S1ADR (DBH) bits

BIT	SYMBOL	DESCRIPTION
7 to 1	X	Own slave address.
0	GC	0 = general call address is not recognized. 1 = general call address is recognized.

15.2.11 THE DATA REGISTER, S1DAT

S1DAT contains a byte of serial data to be transmitted or a byte which has just been received. The CPU can read from and write to this 8-bit, directly addressable SFR while it is not in the process of shifting a byte. This occurs when SIO1 is in a defined state and the serial interrupt flag is set. Data in S1DAT remains stable as long as SI is set. Data in S1DAT is always shifted from right to left: the first bit to be transmitted is the MSB (bit 7), and, after a byte has been received, the first bit of received data is located at the MSB of S1DAT. While data is being shifted out, data on the bus is simultaneously being shifted in; S1DAT always contains the last data byte present on the bus. Thus, in the event of lost arbitration, the transition from master transmitter to slave receiver is made with the correct data in S1DAT.

S1DAT and the ACK flag form a 9-bit shift register which shifts in or shifts out an 8-bit byte, followed by an

acknowledge bit. The ACK flag is controlled by the SIO1 hardware and cannot be accessed by the CPU. Serial data is shifted through the ACK flag into S1DAT on the rising edges of serial clock pulses on the SCL line. When a byte has been shifted into S1DAT, the serial data is available in S1DAT, and the acknowledge bit is returned by the control logic during the ninth clock pulse. Serial data is shifted out from S1DAT via a buffer (BSD7) on the falling edges of clock pulses on the SCL line.

When the CPU writes to S1DAT, BSD7 is loaded with the content of S1DAT.7, which is the first bit to be transmitted to the SDA line (see Figure 36). After nine serial clock pulses, the eight bits in S1DAT will have been transmitted to the SDA line, and the acknowledge bit will be present in ACK. Note that the eight transmitted bits are shifted back into S1DAT.

Table 53 Address Register S1DAT (address DAH)

7	6	5	4	3	2	1	0
SD7	SD6	SD5	SD4	SD3	SD2	SD1	SD0

Table 54 Description of S1DAT (DAH) bits

BIT	SYMBOL	DESCRIPTION
7 to 0	SD7 to SD0	Eight bits to be transmitted or just received. A logic 1 in S1DAT corresponds to a high level on the I ² C bus, and a logic 0 corresponds to a low level on the bus. Serial data shifts through S1DAT from right to left. Figure 35 shows how data in S1DAT is serially transferred to and from the SDA line.

Single-chip 8-bit microcontroller with CAN controller

P8xC591

15.2.12 THE CONTROL REGISTER, S1CON

The CPU can read from and write to this 8-bit, directly addressable SFR. Two bits are affected by the SIO1 hardware: the SI bit is set when a serial interrupt is requested, and the STO bit is cleared when a STOP condition is present on the I²C bus. The STO bit is also cleared when ENS1 = 0.

Table 55 Address Register S1CON (address D8H)

7	6	5	4	3	2	1	0
CR2	ENS1	STA	STO	SI	AA	CR1	CR0

Table 56 Description of S1CON (D8H) bits

BIT	SYMBOL	DESCRIPTION
7	CR2	Clock rate bit 2, see Table 57.
6	ENS1	Enable serial I/O. ENS1 = 0: I ² C I/O disabled and reset. ENS1 = 1: serial I/O enabled.
5	STA	START flag. When this bit is set in slave mode, the hardware checks the I ² C-bus and generates a START condition if the bus is free or after the bus becomes free. If the device operates in master mode it will generate a repeated START condition.
4	STO	STOP flag. If this bit is set in a master mode a STOP condition is generated. A STOP condition detected on the I ² C-bus clears this bit. This bit may also be set in slave mode in order to recover from an error condition. In this case no STOP condition is generated to the I ² C-bus, but the hardware releases the SDA and SCL lines and switches to the not selected receiver mode. The STOP flag is cleared by the hardware.
3	SI	Serial Interrupt flag. This flag is set and an interrupt request is generated, after any of the following events occur: <ul style="list-style-type: none"> • A START condition is generated in master mode. • The own slave address has been received during AA = 1. • The general call address has been received while S1ADR.0 and AA = 1. • A data byte has been received or transmitted in master mode (even if arbitration is lost). • A data byte has been received or transmitted as selected slave. • A STOP or START condition is received as selected slave receiver or transmitter. While the SI flag is set, SCL remains LOW and the serial transfer is suspended. SI must be reset by software.
2	AA	Assert Acknowledge flag. When this bit is set, an acknowledge is returned after any one of the following conditions: <ul style="list-style-type: none"> • Own slave address is received. • General call address is received (S1ADR.0 = 1). • A data byte is received, while the device is programmed to be a master receiver. • A data byte is received. while the device is a selected slave receiver. When the bit is reset, no acknowledge is returned. Consequently, no interrupt is requested when the own address or general call address is received.
1	CR1	Clock rate bits 1 and 0; see Table 57.
0	CR0	

Single-chip 8-bit microcontroller with CAN controller

P8xC591

15.2.12.1 ENS1, the SIO1 enable bit

ENS1 = "0": When ENS1 is "0", the SDA and SCL input signals are ignored, SIO1 is in the not addressed slave state, and the STO bit in S1CON is forced to 0. No other bits are affected.

ENS1 = "1": When ENS1 is 1, I²C is enabled. Note, that P1.6 and P1.7 have to set to Open Drain by writing the Port mode registers P1M1.x and P1M2.x bits 6 and 7 with a 1 (see Section 6.2 "Pin description").

ENS1 should not be used to temporarily release SIO1 from the I²C bus since, when ENS1 is reset, the I²C bus status is lost. The AA flag should be used instead (see description of the AA flag in the following text).

In the following text, it is assumed that ENS1 = 1.

15.2.12.2 STA, the START flag

STA = "1": When the STA bit is set to enter a master mode, the SIO1 hardware checks the status of the I²C bus and generates a START condition if the bus is free. If the bus is not free, then SIO1 waits for a STOP condition (which will free the bus) and generates a START condition after a delay of a half clock period of the internal serial clock generator.

If STA is set while SIO1 is already in a master mode and one or more bytes are transmitted or received, SIO1 transmits a repeated START condition. STA may be set at any time. STA may also be set when SIO1 is an addressed slave.

STA = "0": When the STA bit is reset, no START condition or repeated START condition will be generated.

15.2.12.3 STO, the STOP Flag

STO = "1": When the STO bit is set while SIO1 is in a master mode, a STOP condition is transmitted to the I²C bus. When the STOP condition is detected on the bus, the SIO1 hardware clears the STO flag. In a slave mode, the STO flag may be set to recover from an error condition. In this case, no STOP condition is transmitted to the I²C bus. However, the SIO1 hardware behaves as if a STOP condition has been received and switches to the defined not addressed slave receiver mode. The STO flag is automatically cleared by hardware.

If the STA and STO bits are both set, the a STOP condition is transmitted to the I²C bus if SIO1 is in a master mode (in a slave mode, SIO1 generates an internal STOP condition which is not transmitted). SIO1 then transmits a START condition.

STO = "0": When the STO bit is reset, no STOP condition will be generated.

Single-chip 8-bit microcontroller with CAN controller

P8xC591

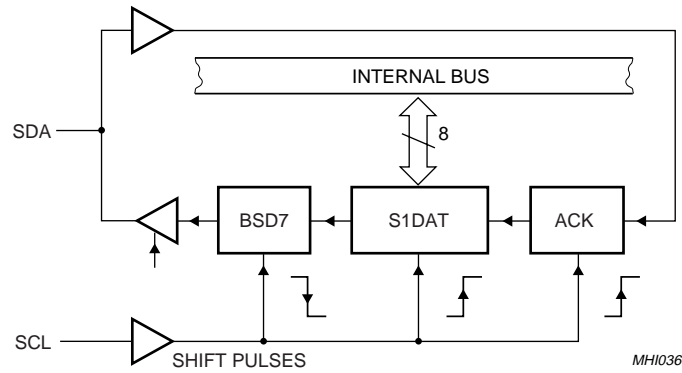
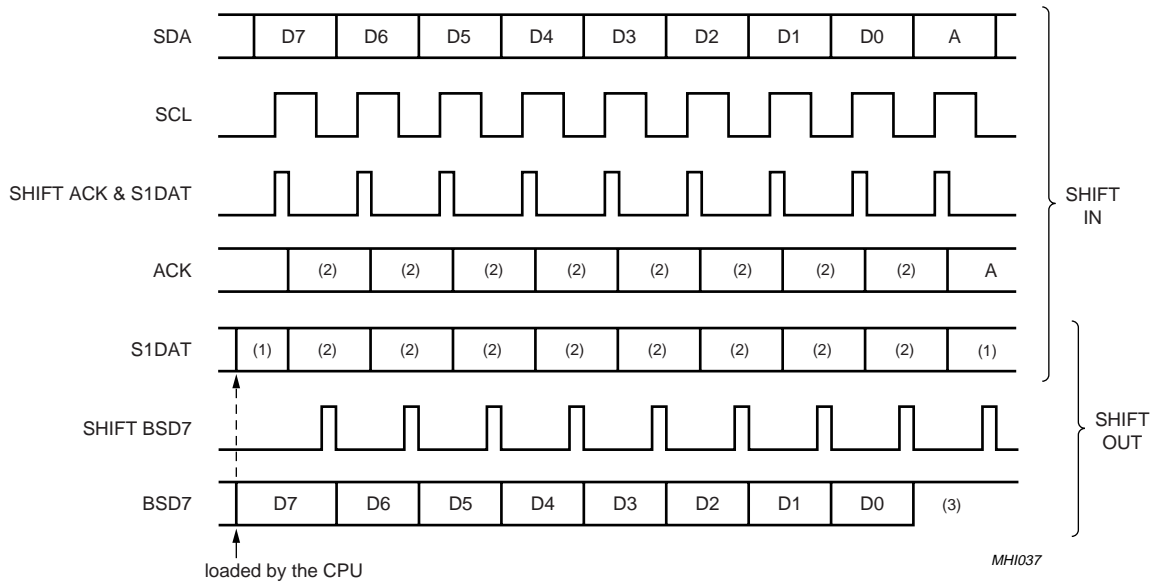


Fig.35 Serial Input/Output Configuration.



- (1) Valid data in S1DAT.
- (2) Shifting data in S1DAT and ACK.
- (3) High level on SDA.

Fig.36 Shift-in and Shift-out Timing.

Single-chip 8-bit microcontroller with CAN controller

P8xC591

15.2.12.4 SI, the Serial Interrupt Flag

SI = "1": When the SI flag is set, then, if the EA and ES1 (interrupt enable register) bits are also set, a serial interrupt is requested. SI is set by hardware when one of 25 of the 26 possible SIO1 states is entered. The only state that does not cause SI to be set is state F8H, which indicates that no relevant state information is available.

While SI is set, the low period of the serial clock on the SCL line is stretched, and the serial transfer is suspended. A high level on the SCL line is unaffected by the serial interrupt flag. SI must be reset by software.

SI = 0: When the SI flag is reset, no serial interrupt is requested, and there is no stretching of the serial clock on the SCL line.

15.2.12.5 AA, the Assert Acknowledge flag

AA = "1": If the AA flag is set, an acknowledge (low level to SDA) will be returned during the acknowledge clock pulse on the SCL line when:

- The "own slave address" has been received
- The general call address has been received while the general call bit (GC) in S1ADR is set
- A data byte has been received while SIO1 is in the master receiver mode
- A data byte has been received while SIO1 is in the addressed slave receiver mode

AA = "0": if the AA flag is reset, a not acknowledge (high level to SDA) will be returned during the acknowledge clock pulse on SCL when:

- A data has been received while SIO1 is in the master receiver mode
- A data byte has been received while SIO1 is in the addressed slave receiver mode

When SIO1 is in the addressed slave transmitter mode, state C8H will be entered after the last serial is transmitted (see Figure 40). When SI is cleared, SIO1 leaves state C8H, enters the not addressed slave receiver mode, and the SDA line remains at a high level. In state C8H, the AA flag can be set again for future address recognition.

When SIO1 is in the not addressed slave mode, its own slave address and the general call address are ignored. Consequently, no acknowledge is returned, and a serial interrupt is not requested. Thus, SIO1 can be temporarily released from the I²C bus while the bus status is monitored. While SIO1 is released from the bus, START and STOP conditions are detected, and serial data is shifted in. Address recognition can be resumed at any time by setting the AA flag. If the AA flag is set when the parts own slave address or the general call address has been partly received, the address will be recognized at the end of the byte transmission.

15.2.12.6 CR0, CR1, and CR2, the Clock Rate Bits

These three bits determine the serial clock frequency when SIO1 is in a master mode. The various serial rates are shown in Table 57.

A 12.5 kHz bit rate may be used by devices that interface to the I²C bus via standard I/O port lines which are software driven and slow. 100kHz is usually the maximum bit rate and can be derived from a 16 MHz, 12 MHz, or a 6 MHz oscillator. A variable bit rate (0.5 kHz to 62.5 kHz) may also be used if Timer 1 is not required for any other purpose while SIO1 is in a master mode.

The frequencies shown in Table 57 are unimportant when SIO1 is in a slave mode. In the slave modes, SIO1 will automatically synchronize with any clock frequency up to 100 kHz.

Single-chip 8-bit microcontroller with CAN controller

P8xC591

15.2.13 THE STATUS REGISTER, S1STA

S1STA is an 8-bit read-only special function register. The three least significant bits are always zero. The five most significant bits contain the status code. There are 26 possible status codes. When S1STA contains F8H, no relevant state information is available and no serial

interrupt is requested. All other S1STA values correspond to defined SIO1 states. When each of these states is entered, a serial interrupt is requested (SI = "1"). A valid status code is present in S1STA one machine cycle after SI is set by hardware and is still present one machine cycle after SI has been reset by software.

Table 57 Serial clock rate

CR2	CR1	CR0	BIT FREQUENCY (kHz) at f _{CLK}			f _{CLK} DIVIDED BY
			6 MHz	12 MHz	16 MHz	
0	0	0	23	47	62.5	256
0	0	1	27	54	71	224
0	1	0	31	63	83.3	192
0	1	1	37	75	100	160
1	0	0	6.25	12.5	17	960
1	0	1	50	100	133 ⁽¹⁾	120
1	1	0	100	200	267 ⁽¹⁾	60
1	1	1	0.24 > 62.5 0 < 255	0.49 < 62.5 0 < 254	0.65 < 55.6 0 < 253	96 x (256 (reload value Timer 1)) Reload value Timer 1 in Mode 2.

Note

- These frequencies exceed the upper limit of 100 kHz of the I²C-bus specification and cannot be used in an I²C-bus application.

15.2.14 MORE INFORMATION ON SIO1 OPERATING MODES

The four operating modes are:

- Master Transmitter
- Master Receiver
- Slave Receiver
- Slave Transmitter

Data transfers in each mode of operation are shown in Figures 37 to 40. These figures contain the following abbreviations:

Abbreviation Explanation

S	Start condition
SLA	7-bit slave address
R	Read bit (high level at SDA)
W	Write bit (low level at SDA)
A	Acknowledge bit (low level at SDA)
\bar{A}	Not acknowledge bit (high level at SDA)
Data	8-bit data byte
P	Stop condition

In Figures 37 to 40, circles are used to indicate when the serial interrupt flag is set. The numbers in the circles show the status code held in the S1STA register. At these points, a service routine must be executed to continue or complete the serial transfer. These service routines are not critical since the serial transfer is suspended until the serial interrupt flag is cleared by software.

When a serial interrupt routine is entered, the status code in S1STA is used to branch to the appropriate service routine. For each status code, the required software action and details of the following serial transfer are given in Tables 61 to 65.

15.2.14.1 Master Transmitter Mode:

In the master transmitter mode, a number of data bytes are transmitted to a slave receiver (see Figure 37). Before the master transmitter mode can be entered, S1CON must be initialized as in Table 58.

CR0, CR1, and CR2 define the serial bit rate. ENS1 must be set to logic 1 to enable SIO1. If the AA bit is reset, SIO1 will not acknowledge its own slave address or the general call address in the event of another device becoming

Single-chip 8-bit microcontroller with CAN controller

P8xC591

master of the bus. In other words, if AA is reset, SIO0 cannot enter a slave mode. STA, STO, and SI must be reset.

The master transmitter mode may now be entered by setting the STA bit using the SETB instruction. The SIO1 logic will now test the I²C bus and generate a start condition as soon as the bus becomes free. When a START condition is transmitted, the serial interrupt flag (SI) is set, and the status code in the status register (S1STA) will be 08H. This status code must be used to vector to an interrupt service routine that loads S1DAT with the slave address and the data direction bit (SLA+W). The

SI bit in S1CON must then be reset before the serial transfer can continue.

When the slave address and the direction bit have been transmitted and an acknowledgment bit has been received, the serial interrupt flag (SI) is set again, and a number of status codes in S1STA are possible. There are 18H, 20H, or 38H for the master mode and also 68H, 78H, or B0H if the slave mode was enabled (AA = logic 1). The appropriate action to be taken for each of these status codes is detailed in Table 61. After a repeated start condition (state 10H), SIO1 may switch to the master receiver mode by loading S1DAT with SLA+R).

Table 58 Address Register S1CON (address D8H)

7	6	5	4	3	2	1	0
CR2	ENS1	STA	STO	SI	AA	CR1	CR0
bit rate	1	0	0	0	X	bit rate	

15.2.14.2 Master Receiver Mode

In the master receiver mode, a number of data bytes are received from a slave transmitter (see Figure 38). The transfer is initialized as in the master transmitter mode. When the start condition has been transmitted, the interrupt service routine must load S1DAT with the 7-bit slave address and the data direction bit (SLA+R). The SI bit in S1CON must then be cleared before the serial transfer can continue.

When the slave address and the data direction bit have been transmitted and an acknowledgment bit has been received, the serial interrupt flag (SI) is set again, and a number of status codes in S1STA are possible. These are 40H, 48H, or 38H for the master mode and also 68H, 78H, or B0H if the slave mode was enabled (AA = logic 1). The appropriate action to be taken for each of these status codes is detailed in Table 62. ENS1, CR1, and CR0 are not affected by the serial transfer and are not referred to in Table 62. After a repeated start condition (state 10H), SIO1 may switch to the master transmitter mode by loading S1DAT with SLA+W.

15.2.14.3 Slave Receiver Mode:

In the slave receiver mode, a number of data bytes are received from a master transmitter (see Figure 39). To initiate the slave receiver mode, S1ADR and S1CON must be loaded as in Table 59.

The upper 7 bits are the address to which SIO1 will respond when addressed by a master. If the LSB (GC) is set, SIO1 will respond to the general call address (00H); otherwise it ignores the general call address.

CR0, CR1, and CR2 do not affect SIO1 in the slave mode. ENS1 must be set to logic 1 to enable SIO1. The AA bit must be set to enable SIO1 to acknowledge its own slave address or the general call address. STA, STO, and SI must be reset.

When S1ADR and S1CON have been initialized, SIO1 waits until it is addressed by its own slave address followed by the data direction bit which must be "0" (W) for SIO1 to operate in the slave receiver mode. After its own slave address and the W bit have been received, the serial interrupt flag (I) is set and a valid status code can be read from S1STA. This status code is used to vector to an interrupt service routine, and the appropriate action to be taken for each of these status codes is detailed in Table 63. The slave receiver mode may also be entered if arbitration is lost while SIO1 is in the master mode (see status 68H and 78H).

If the AA bit is reset during a transfer, SIO1 will return a not acknowledge (logic 1) to SDA after the next received data byte. While AA is reset, SIO1 does not respond to its own slave address or a general call address. However, the I²C bus is still monitored and address recognition may be resumed at any time by setting AA. This means that the AA bit may be used to temporarily isolate SIO1 from the I²C bus.

Single-chip 8-bit microcontroller with CAN controller

P8xC591

Table 59 Address Register S1ADR (DBH) (address 00H)

7	6	5	4	3	2	1	0
X	X	X	X	X	X	X	GC
own slave address							

Table 60 Address Register S1CON (D8H) (address 00H)

7	6	5	4	3	2	1	0
CR2	ENS1	STA	STO	SI	AA	CR1	CR0
X	1	0	0	0	1	X	X

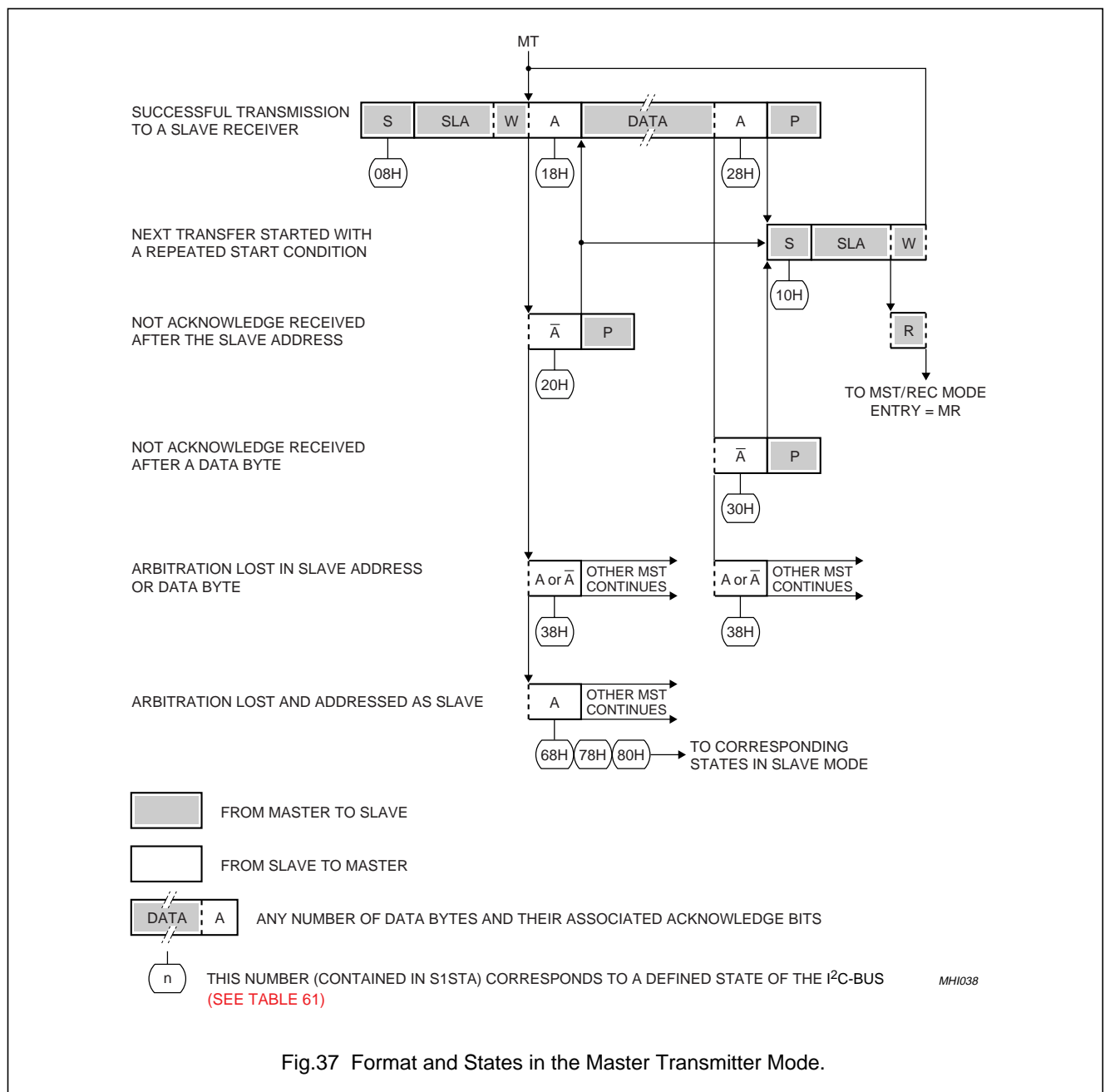


Fig.37 Format and States in the Master Transmitter Mode.

Single-chip 8-bit microcontroller with CAN controller

P8xC591

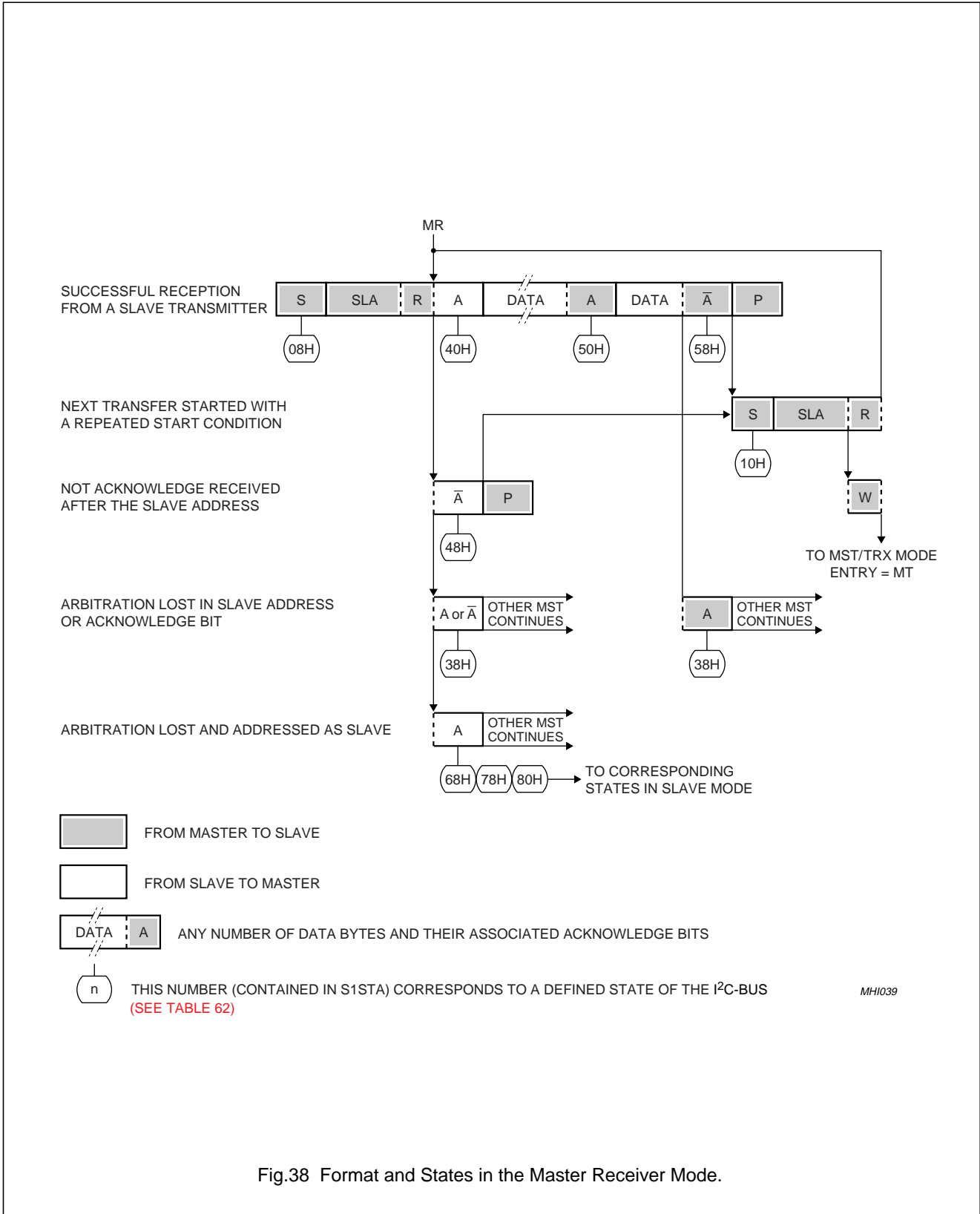


Fig.38 Format and States in the Master Receiver Mode.

Single-chip 8-bit microcontroller with CAN controller

P8xC591

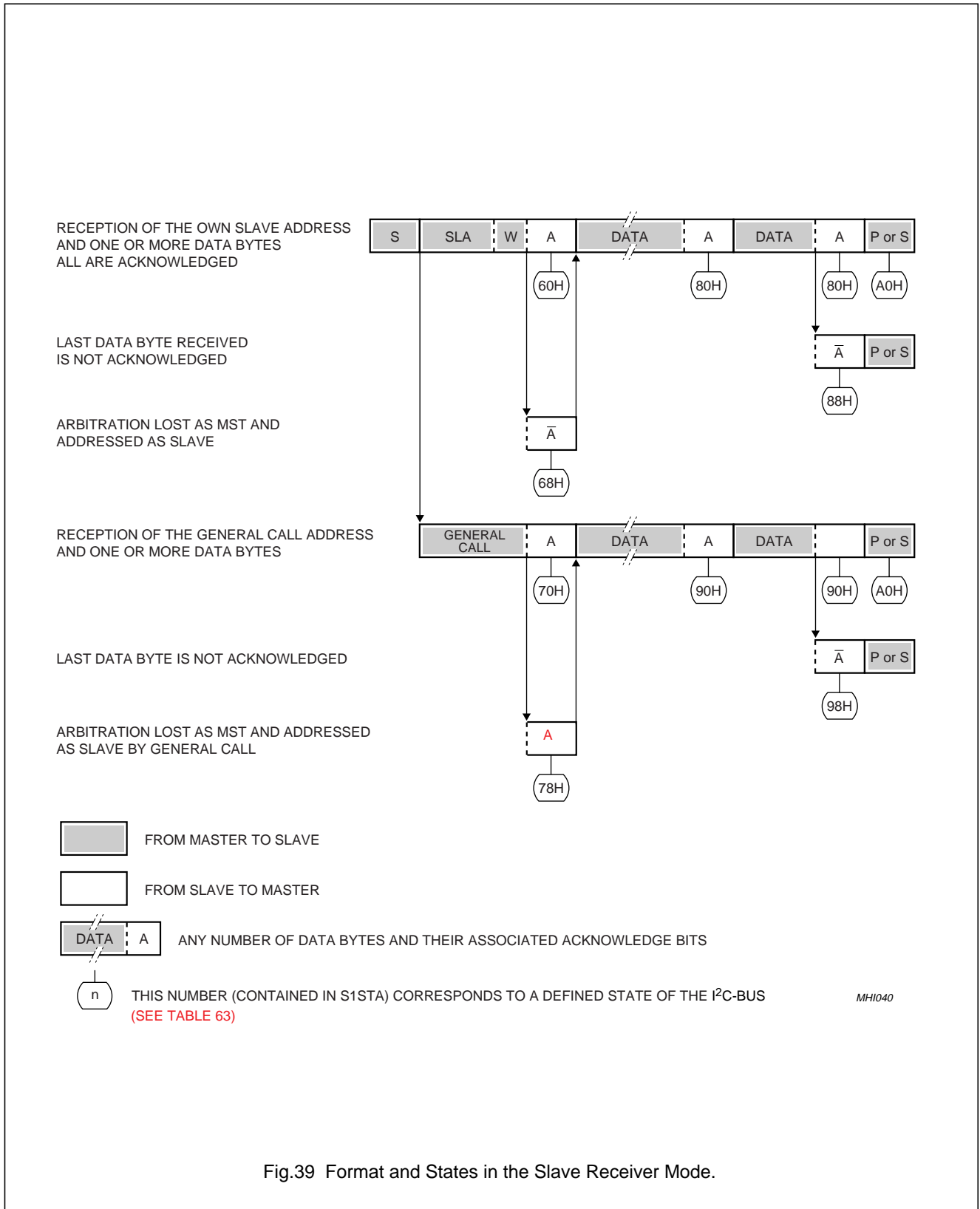
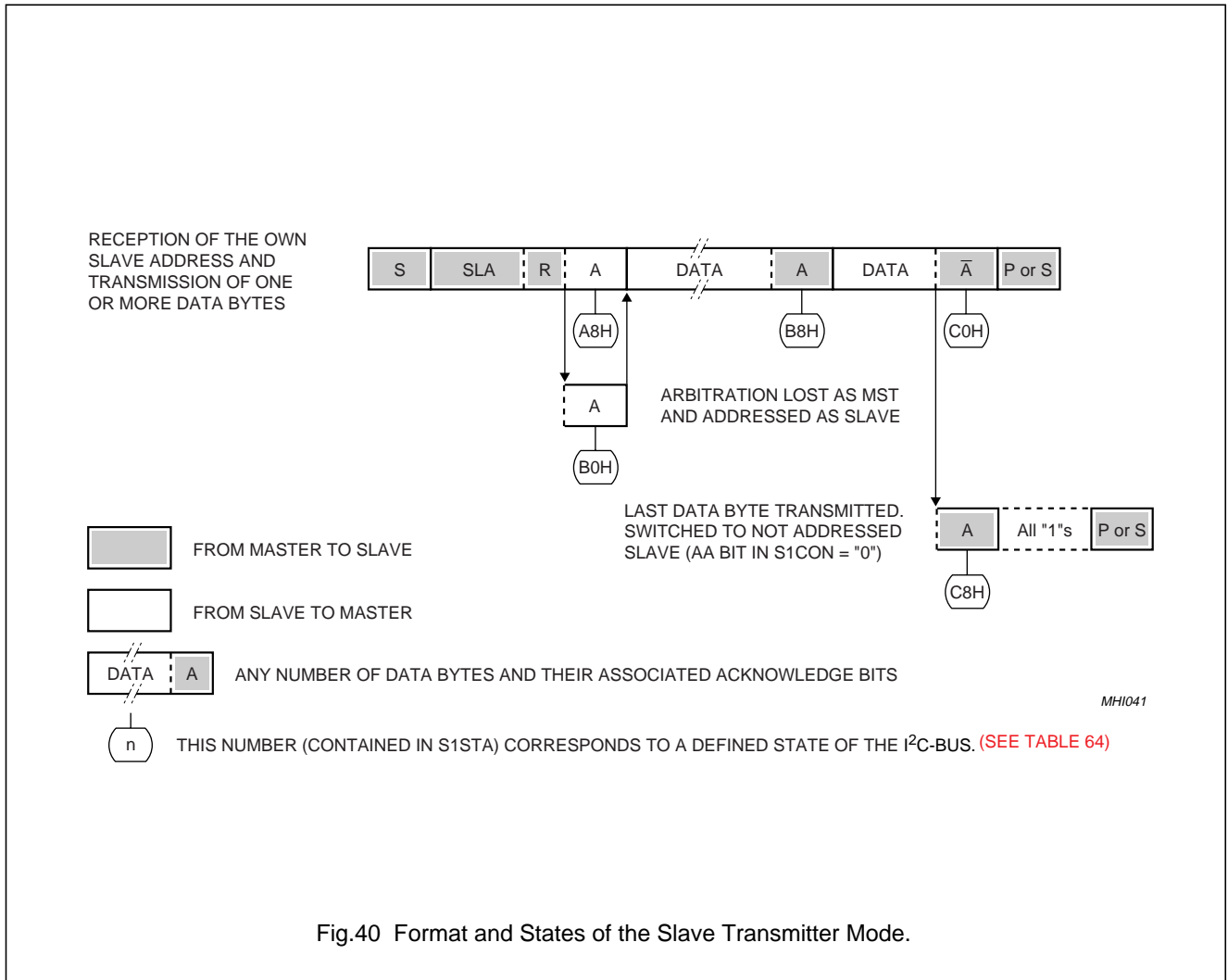


Fig.39 Format and States in the Slave Receiver Mode.

Single-chip 8-bit microcontroller with CAN controller

P8xC591



Single-chip 8-bit microcontroller with CAN controller

P8xC591

Table 61 Master Transmitter Mode

STATUS CODE (S1STA)	STATUS OF THE I ² C BUS AND SIO1 HARDWARE	APPLICATION SOFTWARE RESPONSE					NEXT ACTION TAKEN BY SIO1 HARDWARE
		TO/FROM S1DAT	TO S1CON				
			STA	STO	SI	AA	
08H	A START condition has been transmitted	Load SLA+W	X	0	0	X	SLA+W will be transmitted; ACK bit will be received
10H	A repeated START condition has been transmitted	Load SLA+W or	X	0	0	X	As above SLA+W will be transmitted; SIO1 will be switched to MST/REC mode
		Load SLA+R	X	0	0	X	
18H	SLA+W has been transmitted; ACK has been received	Load data byte or	0	0	0	X	Data byte will be transmitted; ACK bit will be received
		no S1DAT action or	1	0	0	X	Repeated START will be transmitted;
		no S1DAT action or	0	1	0	X	STOP condition will be transmitted; STO flag will be reset
20H	SLA+W has been transmitted; NOT ACK has been received	Load data byte or	0	0	0	X	Data byte will be transmitted; ACK will be received
		no S1DAT action or	1	0	0	X	Repeated START will be transmitted;
		no S1DAT action or	0	1	0	X	STOP condition will be transmitted; STO flag will be reset
28H	Data byte in S1DAT has been transmitted; ACK has been received	Load data byte or	0	0	0	X	Data byte will be transmitted; ACK bit will be received
		no S1DAT action or	1	0	0	X	Repeated START will be transmitted;
		no S1DAT action or	0	1	0	X	STOP condition will be transmitted; STO flag will be reset
30H	Data byte in S1DAT has been transmitted; NOT ACK has been received	Load data byte or	0	0	0	X	Data byte will be transmitted; ACK bit will be received
		no S1DAT action or	1	0	0	X	Repeated START will be transmitted;
		no S1DAT action or	0	1	0	X	STOP condition will be transmitted; STO flag will be reset
38H	Arbitration lost in SLA+R/W or Data bytes	No S1DAT action or	0	0	0	X	I ² C bus will be released; not addressed slave will be entered
		No S1DAT action	1	0	0	X	A START condition will be transmitted when the bus becomes free

Single-chip 8-bit microcontroller with CAN controller

P8xC591

Table 62 Master Receiver Mode

STATUS CODE (S1STA)	STATUS OF THE I ² C BUS AND SIO1 HARDWARE	APPLICATION SOFTWARE RESPONSE					NEXT ACTION TAKEN BY SIO1 HARDWARE
		TO/FROM S1DAT	TO S1CON				
			STA	STO	SI	AA	
08H	A START condition has been transmitted	Load SLA+WR	X	0	0	X	SLA+R will be transmitted; ACK bit will be received
10H	A repeated START condition has been transmitted	Load SLA+R or	X	0	0	X	As above
		Load SLA+W	X	0	0	X	SLA+W will be transmitted; SIO1 will be switched to MST/TRX mode
38H	Arbitration lost in NOT ACK bit	no S1DAT action or	0	0	0	X	I ² C bus will be released; SIO1 will enter a slave mode
		no S1DAT action	1	0	0	X	A START condition will be transmitted when the bus becomes free
40H	SLA+R has been transmitted; ACK has been received	no S1DAT action or	0	0	0	0	Data byte will be received; NOT ACK bit will be returned
		no S1DAT action	0	0	0	1	Data byte will be received; ACK bit will be returned
48H	SLA+R has been transmitted; NOT ACK has been received	no S1DAT action or	1	0	0	X	Repeated START condition will be transmitted
		no S1DAT action or	0	1	0	X	STOP condition will be transmitted; STO flag will be reset
		no S1DAT action	1	1	0	X	STOP condition followed by a START condition will be transmitted; STO flag will be reset
50H	Data byte has been received; NOT ACK has been returned	Read data byte or	0	0	0	0	Data byte will be received; NOT ACK bit will be returned
		read data byte	0	0	0	1	Data byte will be received; ACK bit will be returned
58H	Data byte has been received; ACK has been returned	Read data byte or	1	0	0	X	Repeated START condition will be transmitted
		read data byte or	0	1	0	X	STOP condition will be transmitted; STO flag will be reset
		read data byte	1	1	0	X	STOP condition followed by a START condition will be transmitted; STO flag will be reset

Table 63 Slave Receiver Mode

STATUS CODE (S1STA)	STATUS OF THE I ² C BUS AND SIO1 HARDWARE	APPLICATION SOFTWARE RESPONSE					NEXT ACTION TAKEN BY SIO1 HARDWARE
		TO/FROM S1DAT	TO S1CON				
			STA	STO	SI	AA	
60H	Own SLA+W has been received; ACK has been returned	No S1DAT action or	X	0	0	0	Data byte will be received and NOT ACK will be returned
		no S1DAT action	X	0	0	1	Data byte will be received and ACK will be returned
68H	Arbitration lost in SLA+R/W as master; Own SLA+W has been received, ACK returned	No S1DAT action or	X	0	0	0	Data byte will be received and NOT ACK will be returned
		no S1DAT action	X	0	0	1	Data byte will be received and ACK will be returned

Single-chip 8-bit microcontroller with CAN controller

P8xC591

STATUS CODE (S1STA)	STATUS OF THE I ² C BUS AND SIO1 HARDWARE	APPLICATION SOFTWARE RESPONSE					NEXT ACTION TAKEN BY SIO1 HARDWARE
		TO/FROM S1DAT	TO S1CON				
			STA	STO	SI	AA	
70H	General call address (00H) has been received; ACK has been returned	No S1DAT action or	X	0	0	0	Data byte will be received and NOT ACK will be returned
		no S1DAT action	X	0	0	1	Data byte will be received and ACK will be returned
78H	Arbitration lost in SLA+R/W as master; General call address has been received, ACK has been returned	No S1DAT action or	X	0	0	0	Data byte will be received and NOT ACK will be returned
		no S1DAT action	X	0	0	1	Data byte will be received and ACK will be returned
80H	Previously addressed with own SLV address; DATA has been received; ACK has been returned	Read data byte or	X	0	0	0	Data byte will be received and NOT ACK will be returned
		read data byte	X	0	0	1	Data byte will be received and ACK will be returned
88H	Previously addressed with own SLA; DATA byte has been received; NOT ACK has been returned	Read data byte or	0	0	0	0	Switched to not addressed SLV mode; no recognition of own SLA or General call address
		read data byte or	0	0	0	1	Switched to not addressed SLV mode; Own SLA will be recognized; General call address will be recognized if S1ADR.0 = logic 1
		read data byte or	1	0	0	0	Switched to not addressed SLV mode; no recognition of own SLA or General call address. A START condition will be transmitted when the bus becomes free
		read data byte	1	0	0	1	Switched to not addressed SLV mode; Own SLA will be recognized; General call address will be recognized if S1ADR.0 = logic 1. A START condition will be transmitted when the bus becomes free.
90H	Previously addressed with General Call; DATA byte has been received; ACK has been returned	Read data byte or	X	0	0	0	Data byte will be received and NOT ACK will be returned
		read data byte	X	0	0	1	Data byte will be received and ACK will be returned
98H	Previously addressed with General Call; DATA byte has been received; NOT ACK has been returned	Read data byte or	0	0	0	0	Switched to not addressed SLV mode; no recognition of own SLA or General call address
		read data byte or	0	0	0	1	Switched to not addressed SLV mode; Own SLA will be recognized; General call address will be recognized if S1ADR.0 = logic 1
		read data byte or	1	0	0	0	Switched to not addressed SLV mode; no recognition of own SLA or General call address. A START condition will be transmitted when the bus becomes free
		read data byte	1	0	0	1	Switched to not addressed SLV mode; Own SLA will be recognized; General call address will be recognized if S1ADR.0 = logic 1. A START condition will be transmitted when the bus becomes free.

Single-chip 8-bit microcontroller with CAN controller

P8xC591

STATUS CODE (S1STA)	STATUS OF THE I ² C BUS AND SIO1 HARDWARE	APPLICATION SOFTWARE RESPONSE					NEXT ACTION TAKEN BY SIO1 HARDWARE
		TO/FROM S1DAT	TO S1CON				
			STA	STO	SI	AA	
A0H	A STOP condition or repeated START condition has been received while still addressed as SLV/REC or SLV/TRX	No STDAT action or	0	0	0	0	Switched to not addressed SLV mode; no recognition of own SLA or General call address
		No STDAT action or	0	0	0	1	Switched to not addressed SLV mode; Own SLA will be recognized; General call address will be recognized if S1ADR.0 = logic 1
		No STDAT action or	1	0	0	0	Switched to not addressed SLV mode; no recognition of own SLA or General call address. A START condition will be transmitted when the bus becomes free
		No STDAT action	1	0	0	1	Switched to not addressed SLV mode; Own SLA will be recognized; General call address will be recognized if S1ADR.0 = logic 1. A START condition will be transmitted when the bus becomes free.

Table 64 Slave Transmitter Mode

STATUS CODE (S1STA)	STATUS OF THE I ² C BUS AND SIO1 HARDWARE	APPLICATION SOFTWARE RESPONSE					NEXT ACTION TAKEN BY SIO1 HARDWARE
		TO/FROM S1DAT	TO S1CON				
			STA	STO	SI	AA	
A8H	Own SLA+R has been received; ACK has been returned	Load data byte or	X	0	0	0	Last data byte will be transmitted and ACK bit will be received
		load data byte	X	0	0	1	Data byte will be transmitted; ACK will be received
B0H	Arbitration lost in SLA+R/W as master; Own SLA+R has been received, ACK has been returned	Load data byte or	X	0	0	0	Last data byte will be transmitted and ACK bit will be received
		load data byte	X	0	0	1	Data byte will be transmitted; ACK bit will be received
B8H	Data byte in S1DAT has been transmitted; ACK has been received	Load data byte or	X	0	0	0	Last data byte will be transmitted and ACK bit will be received
		load data byte	X	0	0	1	Data byte will be transmitted; ACK bit will be received
C0H	Data byte in S1DAT has been transmitted; NOT ACK has been received	No S1DAT action or	0	0	0	0	Switched to not addressed SLV mode; no recognition of own SLA or General call address
		no S1DAT action or	0	0	0	1	Switched to not addressed SLV mode; Own SLA will be recognized; General call address will be recognized if S1ADR.0 = logic 1
		no S1DAT action or	1	0	0	0	Switched to not addressed SLV mode; no recognition of own SLA or General call address. A START condition will be transmitted when the bus becomes free
		no S1DAT action	1	0	0	1	Switched to not addressed SLV mode; Own SLA will be recognized; General call address will be recognized if S1ADR.0 = logic 1. A START condition will be transmitted when the bus becomes free.

Single-chip 8-bit microcontroller with CAN controller

P8xC591

STATUS CODE (S1STA)	STATUS OF THE I ² C BUS AND SIO1 HARDWARE	APPLICATION SOFTWARE RESPONSE					NEXT ACTION TAKEN BY SIO1 HARDWARE
		TO/FROM S1DAT	TO S1CON				
			STA	STO	SI	AA	
C8H	Last data byte in S1DAT has been transmitted (AA = 0); ACK has been received	No S1DAT action or	0	0	0	0	Switched to not addressed SLV mode; no recognition of own SLA or General call address
		no S1DAT action or	0	0	0	1	Switched to not addressed SLV mode; Own SLA will be recognized; General call address will be recognized if S1ADR.0 = logic 1
		no S1DAT action or	1	0	0	0	Switched to not addressed SLV mode; no recognition of own SLA or General call address. A START condition will be transmitted when the bus becomes free
		no S1DAT action	1	0	0	1	Switched to not addressed SLV mode; Own SLA will be recognized; General call address will be recognized if S1ADR.0 = logic 1. A START condition will be transmitted when the bus becomes free.

Table 65 Miscellaneous States

STATUS CODE (S1STA)	STATUS OF THE I ² C BUS AND SIO1 HARDWARE	APPLICATION SOFTWARE RESPONSE					NEXT ACTION TAKEN BY SIO1 HARDWARE
		TO/FROM S1DAT	TO S1CON				
			STA	STO	SI	AA	
F8H	No relevant state information available; SI = 0	No S1DAT action	No S1CON action				Wait or proceed current transfer
00H	Bus error during MST or selected slave modes, due to an illegal START or STOP condition. State 00H can also occur when interference causes SIO1 to enter an undefined state.	No S1DAT action	0	1	0	X	Only the internal hardware is affected in the MST or addressed SLV modes. In all cases, the bus is released and SIO1 is switched to the not addressed SLV mode. STO is reset.

Single-chip 8-bit microcontroller with CAN controller

P8xC591

15.2.14.4 Slave Transmitter Mode

In the slave transmitter mode, a number of data bytes are transmitted to a master receiver (see Figure 40). Data transfer is initialized as in the slave receiver mode. When S1ADR and S1CON have been initialized, SIO1 waits until it is addressed by its own slave address followed by the data direction bit which must be "1" (R) for SIO1 to operate in the slave transmitter mode. After its own slave address and the R bit have been received, the serial interrupt flag (SI) is set and a valid status code can be read from S1STA. This status code is used to vector to an interrupt service routine, and the appropriate action to be taken for each of these status codes is detailed in Table 64. The slave transmitter mode may also be entered if arbitration is lost while SIO1 is in the master mode (see state B0H).

If the AA bit is reset during a transfer, SIO1 will transmit the last byte of the transfer and enter state C0H or C8H. SIO1 is switched to the not addressed slave mode and will ignore the master receiver if it continues the transfer. Thus the master receiver receives all 1s as serial data. While AA is reset, SIO1 does not respond to its own slave address or a general call address. However, the I²C bus is still monitored, and address recognition may be resumed at any time by setting AA. This means that the AA bit may be used to temporarily isolate SIO1 from the I²C bus.

15.2.14.5 Miscellaneous States

There are two S1STA codes that do not correspond to a defined SIO1 hardware state (see Table 65). These are discussed below.

S1STA = F8H:

This status code indicates that no relevant information is available because the serial interrupt flag, SI, is not yet set. This occurs between other states and when SIO1 is not involved in a serial transfer.

S1STA = 00H:

This status code indicates that a bus error has occurred during an SIO1 serial transfer. A bus error is caused when a START or STOP condition occurs at an illegal position in the format frame. Examples of such illegal positions are during the serial transfer of an address byte, a data byte, or an acknowledge bit. A bus error may also be caused when external interference disturbs the internal SIO1 signals. When a bus error occurs, SI is set. To recover from a bus error, the STO flag must be set and SI must be cleared. This causes SIO1 to enter the not addressed slave mode (a defined state) and to clear the STO flag (no other bits in S1CON are affected). The SDA and SCL lines are released (a STOP condition is not transmitted).

15.2.15 SOME SPECIAL CASES

The SIO1 hardware has facilities to handle the following special cases that may occur during a serial transfer:

Simultaneous Repeated START Conditions from Two Masters.

A repeated START condition may be generated in the master transmitter or master receiver modes. A special case occurs if another master simultaneously generates a repeated START condition (see Figure 41). Until this occurs, arbitration is not lost by either master since they were both transmitting the same data. If the SIO1 hardware detects a repeated START condition on the I²C bus before generating a repeated START condition itself, it will release the bus, and no interrupt request is generated. If another master frees the bus by generating a STOP condition, SIO1 will transmit a normal START condition (state 08H), and a retry of the total serial data transfer can commence.

15.2.15.1 Data Transfer after loss of Arbitration

Arbitration may be lost in the master transmitter and master receiver modes (see Figure 33). Loss of arbitration is indicated by the following states in S1STA; 38H, 68H, 78H, and B0H (see Figures 37 and 38).

If the STA flag in S1CON is set by the routines which service these states, then, if the bus is free again, a START condition (state 08H) is transmitted without intervention by the CPU, and a retry of the total serial transfer can commence.

15.2.15.2 Forced Access to the I²C bus

In some applications, it may be possible for an uncontrolled source to cause a bus hang-up. In such situations, the problem may be caused by interference, temporary interruption of the bus or a temporary short-circuit between SDA and SCL.

If an uncontrolled source generates a superfluous START or masks a STOP condition, then the I²C bus stays busy indefinitely. If the STA flag is set and bus access is not obtained within a reasonable amount of time, then a forced access to the I²C bus is possible. This is achieved by setting the STO flag while the STA flag is still set. No STOP condition is transmitted. The SIO1 hardware behaves as if a STOP condition was received and is able to transmit a START condition. The STO flag is cleared by hardware (see Figure 42).

Single-chip 8-bit microcontroller with CAN controller

P8xC591

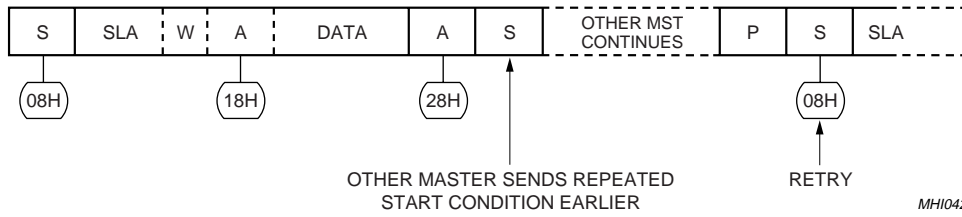


Fig.41 Simultaneous repeated START conditions from 2 Masters.

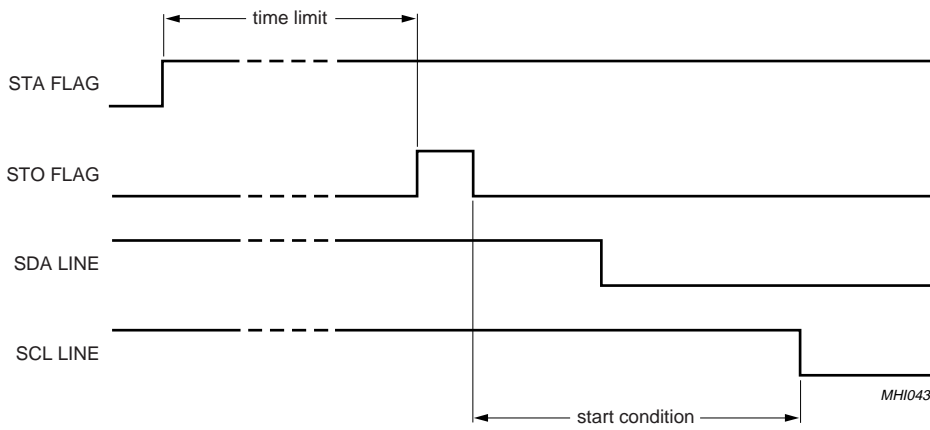


Fig.42 Forces access to a busy I²C bus.

Single-chip 8-bit microcontroller with CAN controller

P8xC591

15.2.15.3 I²C bus obstructed by a low level on SCL and SDA

An I²C bus hang-up occurs if SDA or SCL is pulled LOW by an uncontrolled source. If the SCL line is obstructed (pulled LOW) by a device on the bus, no further serial transfer is possible, and the SIO1 hardware cannot resolve this type of problem. When this occurs, the problem must be resolved by the device that is pulling the SCL bus line LOW.

If the SDA line is obstructed by another device on the bus (e.g., a slave device out of bit synchronization), the problem can be solved by transmitting additional clock pulses on the SCL line (see Figure 43). The SIO1 hardware transmits additional clock pulses when the STA flag is set, but no START condition can be generated because the SDA line is pulled LOW while the I²C bus is considered free.

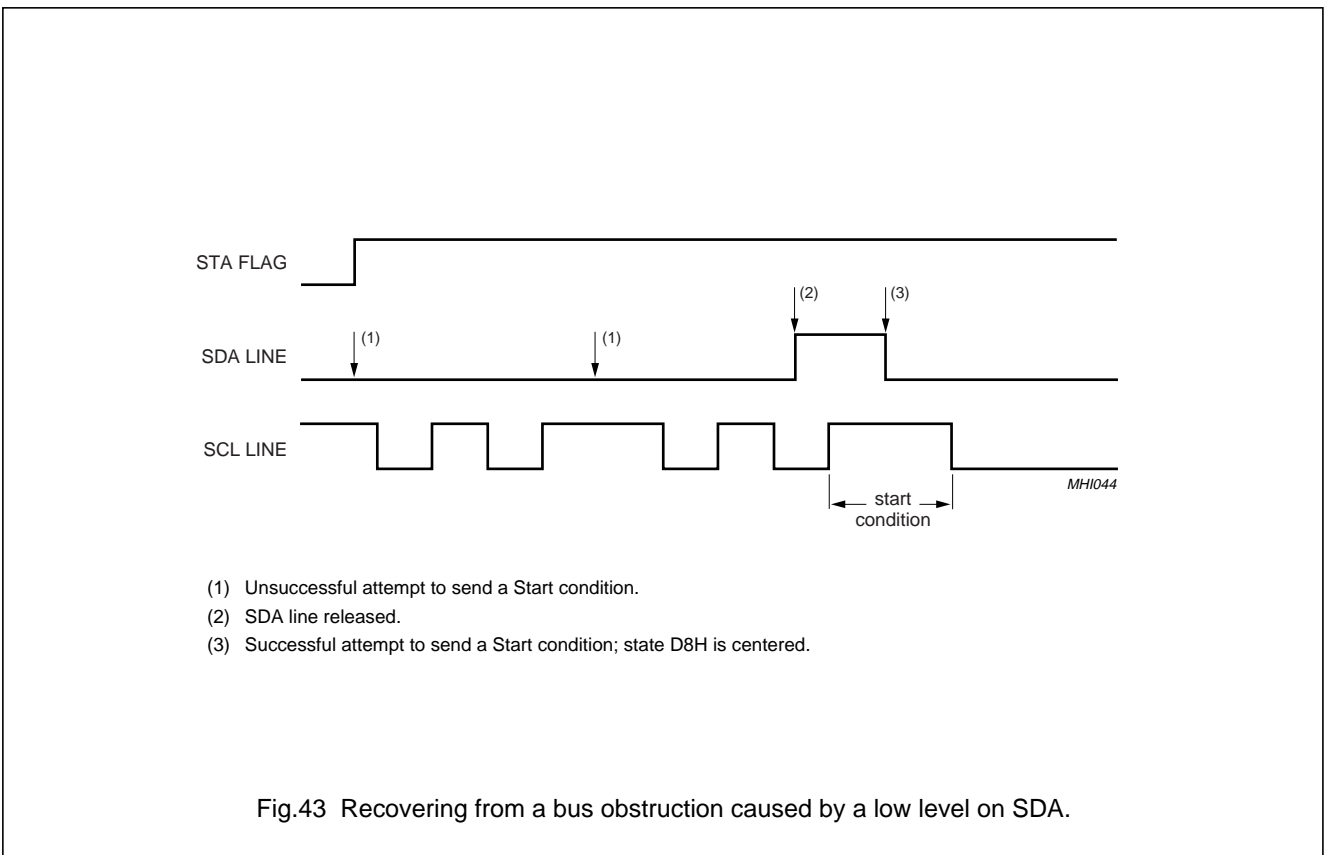
The SIO1 hardware attempts to generate a START condition after every two additional clock pulses on the SCL line. When the SDA line is eventually released, a normal START condition is transmitted, state 08H is entered, and the serial transfer continues.

If a forced bus access occurs or a repeated START condition is transmitted while SDA is obstructed (pulled LOW), the SIO1 hardware performs the same action as described above. In each case, state 08H is entered after a successful START condition is transmitted and normal serial transfer continues. Note that the CPU is not involved in solving these bus hang-up problems.

15.2.15.4 Bus error

A bus error occurs when a START or STOP condition is present at an illegal position in the format frame. Examples of illegal positions are during the serial transfer of an address byte, a data or an acknowledge bit.

The SIO1 hardware only reacts to a bus error when it is involved in a serial transfer either as a master or an addressed slave. When a bus error is detected, SIO1 immediately switches to the not addressed slave mode, releases the SDA and SCL lines, sets the interrupt flag, and loads the status register with 00H. This status code may be used to vector to a service routine which either attempts the aborted serial transfer again or simply recovers from the error condition as shown in Table 65.



Single-chip 8-bit microcontroller with CAN controller

P8xC591

15.3 Software Examples of SIO1 Service Routines

This section consists of a software example for:

- Initialization of SIO1 after a RESET
- Entering the SIO1 interrupt routine
- The 26 state service routines for the
 - Master transmitter mode
 - Master receiver mode
 - Slave receiver mode
 - Slave transmitter mode

15.3.1 INITIALIZATION

In the initialization routine, SIO1 is enabled for both master and slave modes. For each mode, a number of bytes of internal data RAM are allocated to the SIO to act as either a transmission or reception buffer. In this example, 8 bytes of internal data RAM are reserved for different purposes. The data memory map is shown in Figure 44. The initialization routine performs the following functions:

- S1ADR is loaded with the parts own slave address and the general call bit (GC)
- P1.6 and P1.7 bit latches are loaded with logic 1s
- RAM location HADD is loaded with the high-order address byte of the service routines
- The SIO1 interrupt enable and interrupt priority bits are set
- The slave mode is enabled by simultaneously setting the ENS1 and AA bits in S1CON and the serial clock frequency (for master modes) is defined by loading CRO and CR1 in S1CON. The master routines must be started in the main program.

The SIO1 hardware now begins checking the I²C bus for its own slave address and general call. If the general call or the own slave address is detected, an interrupt is requested and S1STA is loaded with the appropriate state information. The following text describes a fast method of branching to the appropriate service routine.

15.3.2 SIO1 INTERRUPT ROUTINE

When the SIO1 interrupt is entered, the PSW is first pushed on the stack. Then S1STA and HADD (loaded with the high-order address byte of the 26 service routines by the initialization routine) are pushed on to the stack. S1STA contains a status code which is the lower byte of one of the 26 service routines. The next instruction is RET, which is the return from subroutine instruction. When this instruction is executed, the high and low order address bytes are popped from stack and loaded into the program counter.

The next instruction to be executed is the first instruction of the state service routine. Seven bytes of program code (which execute in eight machine cycles) are required to branch to one of the 26 state service routines.

```

SI  PUSH  PSW      Save PSW
    PUSH  S1STA    Push status code (low order
                    address byte)
    PUSH  HADD    Push high order address byte
    RET           Jump to state service routine

```

The state service routines are located in a 256-byte page of program memory. The location of this page is defined in the initialization routine. The page can be located anywhere in program memory by loading data RAM register HADD with the page number. Page 01 is chosen in this example, and the service routines are located between addresses 0100H and 01FFH.

15.3.3 THE STATE SERVICE ROUTINE

The state service routines are located 8 bytes from each other. Eight bytes of code are sufficient for most of the service routines. A few of the routines require more than 8 bytes and have to jump to other locations to obtain more bytes of code. Each state routine is part of the SIO1 interrupt routine and handles one of the 26 states. It ends with a RETI instruction which causes a return to the main program.

Single-chip 8-bit microcontroller with CAN controller

P8xC591

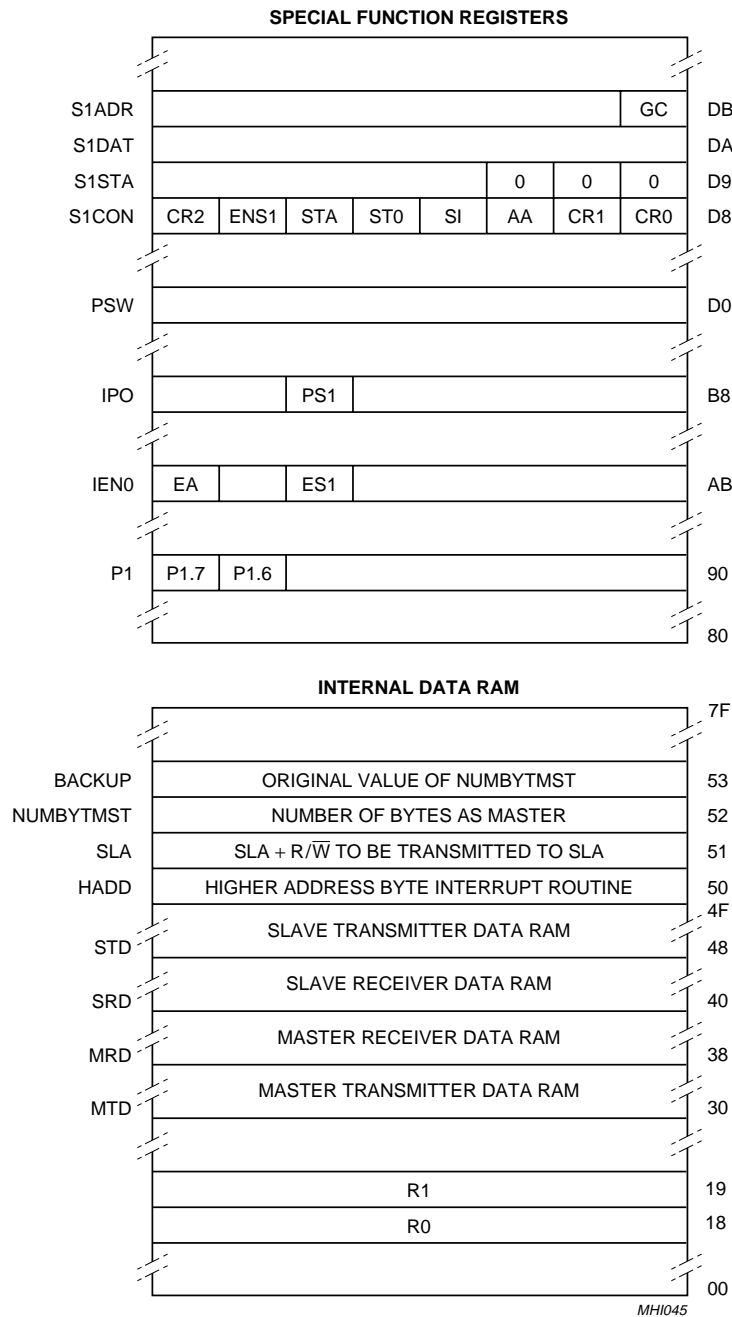


Fig.44 SIO1 Data Memory Map.

Single-chip 8-bit microcontroller with CAN controller

P8xC591

15.3.4 MASTER TRANSMITTER AND MASTER RECEIVER MODES

The master mode is entered in the main program. To enter the master transmitter mode, the main program must first load the internal data RAM with the slave address, data bytes, and the number of data bytes to be transmitted. To enter the master receiver mode, the main program must first load the internal data RAM with the slave address and the number of data bytes to be received. The R/W bit determines whether SIO1 operates in the master transmitter or master receiver mode.

Master mode operation commences when the STA bit in S1CION is set by the SETB instruction and data transfer is controlled by the master state service routines in accordance with Table 61, Table 62, Figure 37 and Figure 38. In the example below, 4 bytes are transferred. There is no repeated START condition. In the event of lost arbitration, the transfer is restarted when the bus becomes free. If a bus error occurs, the I²C bus is released and SIO1 enters the not selected slave receiver mode. If a slave device returns a not acknowledge, a STOP condition is generated.

A repeated START condition can be included in the serial transfer if the STA flag is set instead of the STO flag in the state service routines vectored to by status codes 28H and 58H. Additional software must be written to determine which data is transferred after a repeated START condition.

15.3.5 SLAVE TRANSMITTER AND SLAVE RECEIVER MODES

After initialization, SIO1 continually tests the I²C bus and branches to one of the slave state service routines if it detects its own slave address or the general call address (see Table 63, Table 64, Figure 39, and Figure 40). If arbitration was lost while in the master mode, the master mode is restarted after the current transfer. If a bus error occurs, the I²C bus is released and SIO1 enters the not selected slave receiver mode.

In the slave receiver mode, a maximum of 8 received data bytes can be stored in the internal data RAM. A maximum of 8 bytes ensures that other RAM locations are not overwritten if a master sends more bytes. If more than 8 bytes are transmitted, a not acknowledge is returned, and SIO1 enters the not addressed slave receiver mode. A maximum of one received data byte can be stored in the internal data RAM after a general call address is detected. If more than one byte is transmitted, a not acknowledge is returned and SIO1 enters the not addressed slave receiver mode.

In the slave transmitter mode, data to be transmitted is obtained from the same locations in the internal data RAM that were previously loaded by the main program. After a not acknowledge has been returned by a master receiver device, SIO1 enters the not addressed slave mode.

15.3.6 ADAPTING THE SOFTWARE FOR DIFFERENT APPLICATIONS

The following software example shows the typical structure of the interrupt routine including the 26 state service routines and may be used as a base for user applications. If one or more of the four modes are not used, the associated state service routines may be removed but, care should be taken that a deleted routine can never be invoked.

This example does not include any time-out routines. In the slave modes, time-out routines are not very useful since, in these modes, SIO1 behaves essentially as a passive device. In the master modes, an internal timer may be used to cause a time-out if a serial transfer is not complete after a defined period of time. This time period is defined by the system connected to the I²C bus.

Single-chip 8-bit microcontroller with CAN controller

P8xC591

SI01 EQUATE LIST

LOC	OBJ	SOURCE	
!*****			
! LOCATIONS OF THE SI01 SPECIAL FUNCTION REGISTERS!			
!*****			
00D8		S1CON	-0xd8
00D9		S1STA	-0xd9
00DA		S1DAT	-0xda
00DB		S1ADR	-0xdb
00A8		IEN0	-0xa8
00B8		IP0	02b8
!*****			
! BIT LOCATIONS			
!*****			
00DD		STA	-0xdd ! STA bit in S1CON
00BD		SI01HP	-0xbd ! IP0, SI01 Priority bit
!*****			
! IMMEDIATE DATA TO WRITE INTO REGISTER S1CON			
!*****			
00D5		ENS1_NOTSTA_STO_NOTSI_AA_CR0	-0xd5 ! Generates STOP ! (CR0 = 100kHz)
00C5		ENS1_NOTSTA_NOTSTO_NOTSI_AA_CR0	-0xc5 ! Releases BUS and ACK !
00C1		ENS1_NOTSTA_NOTSTO_NOTSI_NOTAA_CR0	-0xc1 ! Releases BUS and ! NOT ACK
00E5		ENS1_STA_NOTSTO_NOTSI_AA_CR0	-0xe5 ! Releases BUS and set ! STA
!*****			
! GENERAL IMMEDIATE DATA			
!*****			
0031		OWNSLA	-0x31 ! Own SLA+General Call ! must be written into S1ADR
00A0		ENSI01	-0xa0 ! EA+ES1, enable SIO1 interrupt ! must be written into IEN0
0001		PAG1	-0x01 ! select PAG1 as HADD
00C0		SLAW	-0xc0 ! SLA+W to be transmitted
00C1		SLAR	-0xc1 ! SLA+R to be transmitted
0018		SELRB3	-0x18 ! Select Register Bank 3

Single-chip 8-bit microcontroller with CAN controller

P8xC591

LOC	OBJ	SOURCE
!*****		
! LOCATIONS IN DATA RAM		
!*****		
0030		MTD -0x30 ! MST/TRX/DATA base address
0038		MRD -0x38 ! MST/REC/DATA base address
0040		SRD -0x40 ! SLV/REC/DATA base address
0048		STD -0x48 ! SLV/TRX/DATA base address
0053	BACKUP	-0x53 ! Backup from NUMBYTMST ! To restore NUMBYTMST in case ! of an Arbitration Loss.
0052	NUMBYTMST	-0x52 ! Number of bytes to transmit ! or receive as MST.
0051	SLA	-0x51 ! Contains SLA+R/W to be ! transmitted.
0050	HADD	-0x50 ! High Address byte for STATE 0f ! till STATE 25.
!*****		
! INITIALIZATION ROUTINE		
! Example to initialize IIC Interface as slave receiver or slave transmitter and start a MASTER TRANSMIT		
! or a MASTER RECEIVE function. 4 bytes will be transmitted or received.		
!*****		
		.sect strt
		.base 0x00
0000	4100	ajmp INIT ! RESET
		.sect initial
		.base 0x200
0200	75DB31	INIT: mov S1ADR,#OWNSLA ! Load own SLA + enable ! general call recognition
0203	D296	setb P1(6) ! P1.6 High level.
0205	D297	setb P1(7) ! P1.7 High level.
0207	755001	mov HADD,#PAG1
020A	43A8A0	orl IEN0,#ENSI01 ! Enable SI01 interrupt
020D	C2BD	clr SI01HP ! SI01 interrupt low priority
020F	75D8C5	mov S1CON, #ENS1_NOTSTA_NOTSTO_NOTSI_AA_CR0 ! Initialize SLV funct.
!*****		
! START MASTER TRANSMIT FUNCTION		
!*****		
0212	755204	mov NUMBYTMST,#0x4 ! Transmit 4 bytes.
0215	7551C0	mov SLA,#SLAW ! SLA+W, Transmit funct.
0218	D2DD	setb STA ! set STA in S1CON!
!*****		
! START MASTER RECEIVE FUNCTION		
!*****		
021A	755204	mov NUMBYTMST,#0x4 ! Receive 4 bytes.
021D	7551C1	mov SLA,#SLAR ! SLA+R, Receive funct.
0220	D2DD	setb STA ! set STA in S1CON

Single-chip 8-bit microcontroller with CAN controller

P8xC591

LOC	OBJ	SOURCE
!*****		
! SI01 INTERRUPT ROUTINE		
!*****		
		.sect intvec ! SI01 interrupt vector
		.base 0x00
! S1STA and HADD are pushed onto the stack.		
! They serve as return address for the RET instruction.		
! The RET instruction sets the Program Counter to address HADD,		
! S1STA and jumps to the right subroutine.		
002B	C0D0	push psw ! save psw
002D	C0D9	push S1STA
002F	C050	push HADD
0031	22	ret ! JMP to address HADD,S1STA.
!-----		
! STATE : 00, Bus error.		
! ACTION : Enter not addressed SLV mode and release bus. STO reset.		
!-----		
		.sect st0
		.base 0x100
0100	75D8D5	mov S1CON,#ENS1_NOTSTA_STO_NOTSI_AA_CR0 ! clr SI
		! set STO,AA
0103	D0D0	pop psw
0105	32	reti
!*****		
! MASTER STATE SERVICE ROUTINES		
!*****		
! State 08 and State 10 are both for MST/TRX and MST/REC.		
! The R/W bit decides whether the next state is within		
! MST/TRX mode or within MST/REC mode.		
!*****		
!-----		
! STATE : 08, A, START condition has been transmitted.		
! ACTION : SLA+R/W are transmitted, ACK bit is received.!		
!-----		
		.sect mts8
		.base 0x108
0108	8551DA	mov S1DAT,SLA ! Load SLA+R/W
010B	75D8C5	mov S1CON,#ENS1_NOTSTA_NOTSTO_NOTSI_AA_CR0
		! clr SI
010E	01A0	ajmp INITBASE1

Single-chip 8-bit microcontroller with CAN controller

P8xC591

LOC	OBJ	SOURCE
		!----- ! STATE : STATE : 10, A repeated START condition has been transmitted. ! ACTION : SLA+R/W are transmitted, ACK bit is received. !-----
		.sect mts10 .base 0x110
0110	8551DA	mov S1DAT,SLA ! Load SLA+R/W
0113	75D8C5	mov S1CON,#ENS1_NOTSTA_NOTSTO_NOTSI_AA_CR0 ! clr SI
010E	01A0	ajmp INITBASE1
		.sect ibase1 .base 0xa0
00A0	75D018	INITBASE1: mov psw,#SELRB3
00A3	7930	mov r1,#MTD
00A5	7838	mov r0,#MRD
00A7	855253	mov BACKUP,NUMBYTMST ! Save initial value
00AA	D0D0	pop psw
00AC	32	reti
		!***** ! MASTER TRANSMITTER STATE SERVICE ROUTINES !*****
		!----- ! STATE : 18, Previous state was STATE 8 or STATE 10, SLA+W have been transmitted, ACK been received. ! ACTION : First DATA is transmitted, ACK bit is received. !----- -dc
		.sect mts18 .base 0x118
0118	75D018	mov psw,#SELRB3
011B	87DA	mov S1DAT,@r1
011D	01B5	ajmp CON
		!----- ! STATE : 20, SLA+W have been transmitted, NOT ACK has been received ! ACTION : Transmit STOP condition! !-----
		.sect mts20 .base 0x120
0120	75D8D5	mov S1CON,#ENS1_NOTSTA_STO_NOTSI_AA_CR0 ! set STO, clr SI
0123	D0D0	pop psw
0125	32	reti

Single-chip 8-bit microcontroller with CAN controller

P8xC591

LOC	OBJ	SOURCE
		!----- ! STATE : 28, DATA of S1DAT have been transmitted, ACK received. ! ACTION : If Transmitted DATA is last DATA then transmit a STOP condition, else transmit next DATA. !-----
		.sect mts28 .base 0x128
0128	D55285	djnz NUMBYTMST,NOTLDAT1 ! JMP if NOT last DATA
012B	75D8D5	mov S1CON,#ENS1_NOTSTA_STO_NOTSI_AA_CR0 ! clr SI, set AA
012E	01B9	ajmp RETmt
		.sect mts28sb .base 0x0b0
00B0	75D018	NOTLDAT1: mov psw,#SELRB3
00B3	87DA	mov S1DAT,@r1
00B5	75D8C5	CON: mov S1CON,#ENS1_NOTSTA_NOTSTO_NOTSI_AA_CR0 ! clr SI, set AA
00B8	09	inc r1
00B9	D0D0	RETmt : pop psw
00BB	32	reti
		!----- ! STATE : 30, DATA of S1DAT have been transmitted, NOT ACK received. ! ACTION : Transmit a STOP condition. !-----
		.sect mts30 .base 0x130
0130	75D8D5	mov S1CON,#ENS1_NOTSTA_STO_NOTSI_AA_CR0 ! set STO, clr SI
0133	D0D0	pop psw
0135	32	reti!
		!----- ! STATE : 38, Arbitration lost in SLA+W or DATA. ! ACTION : Bus is released, not addressed SLV mode is entered. A new START condition is ! transmitted when the IIC bus is free again! !-----
		.sect mts38 .base 0x138
0138	75D8E5	mov S1CON,#ENS1_STA_NOTSTO_NOTSI_AA_CR0
013B	855352	mov NUMBYTMST,BACKUP
013E	01B9	ajmp RETmt
		!***** ! MASTER RECEIVER STATE SERVICE ROUTINES !*****
		!----- ! STATE : 40, Previous state was STATE 08 or STATE 10, SLA+R have been transmitted, ACK received. ! ACTION : DATA will be received, ACK returned. !-----
		.sect mts40 .base 0x140
0140	75D8C5	mov S1CON,#ENS1_NOTSTA_NOTSTO_NOTSI_AA_CR0 ! clr STA, STO, SI set AA
0143	D0D0	pop psw
	32	reti

Single-chip 8-bit microcontroller with CAN controller

P8xC591

LOC	OBJ	SOURCE
		!----- ! STATE : 48, SLA+R have been transmitted, NOT ACK received. ! ACTION : STOP condition will be generated. !-----
		.sect mts48 .base 0x148
0148	75D8D5	STOP: mov S1CON,#ENS1_NOTSTA_STO_NOTSI_AA_CR0 ! set STO, clr SI
014B	D0D0	pop psw
014D	32	reti
		!----- ! STATE : 50, DATA have been received, ACK returned. ! ACTION : Read DATA of S1DAT. DATA will be received, if it is last DATA then NOT ACK will be returned ! else ACK will be returned. !-----
		.sect mrs50 .base 0x150
0150	75D018	mov psw,#SELRB3
0153	A6DA	mov @r0,S1DAT ! Read received DATA
0155	01C0	ajmp REC1
		.sect mrs50s .base 0xc0
00C0	D55205	REC1: djnz NUMBYTMST,NOTLDAT2
00C3	75D8C1	mov S1CON,#ENS1_NOTSTA_NOTSTO_NOTSI_NOTAA_CR0 ! clr SI,AA
00C6	8003	sjmp RETmr
00C8	75D8C5	NOTLDAT2: mov S1CON,#ENS1_NOTSTA_NOTSTO_NOTSI_AA_CR0 ! clr SI, set AA
00CB	08	RETmr: inc r0
00CC	D0D0	pop psw
00CE	32	reti
		!----- ! STATE : 58, DATA have been received, NOT ACK returned. ! ACTION : Read DATA of MASTER STATE SERVICE ROUTINESS1DAT and generate a STOP condition. !-----
		.sect mrs58 .base 0x158
0158	75D018	mov psw,#SELRB3
015B	A6DA	mov @R0,S1DAT
015D	80E9	sjmp STOP

Single-chip 8-bit microcontroller with CAN controller

P8xC591

LOC	OBJ	SOURCE
<pre> ***** ! SLAVE RECEIVER STATE SERVICE ROUTINES ***** !----- ! STATE : 60, Own SLA+W have been received, ACK returned. ! ACTION : DATA will be recMASTER STATE SERVICE ROUTINESeived and ACK returned. !----- .sect srs60 .base 0x160 0160 75D8C5 mov S1CON,#ENS1_NOTSTA_NOTSTO_NOTSI_AA_CR0 ! clr SI, set AA 0163 75D018 mov psw,#SELRB3 0166 01D0 ajmp INITSRD .sect insrd .base 0xd0 00D0 7840 INITSRD: mov r0,#SRD 00D2 7908 mov r1,#8 00D4 D0D0 pop psw 00D6 32 reti !----- ! STATE : 68, Arbitration lost in SLA and R/W as MST Own SLA+W have been received, ACK returned ! ACTION : DATA will be received and ACK returned. STA is set to restart MST mode after the bus is free again. !----- .sect srs68 .base 0x168 0168 75D8E5 mov S1CON,#ENS1_STA_NOTSTO_NOTSI_AA_CR0 016B 75D018 mov psw,#SELRB3 016E 01D0 ajmp INITSRD !----- ! STATE : 70, General call has been received, ACK returned. ! ACTION : DATA will be received and ACK returned. !----- .sect srs70 .base 0x170 0170 75D8C5 mov S1CON,#ENS1_NOTSTA_NOTSTO_NOTSI_AA_CR0 ! clr SI, set AA 0173 75D018 mov psw,#SELRB3 ! Initialize SRD counter 0176 01D0 ajmp initsrd !----- ! STATE : 78, Arbitration lost in SLA+R/W as MST. General call has been received, ACK returned. ! ACTION : DATA will be received and ACK returned. STA is set to restart MST mode after the bus is free again. !----- .sect srs78 .base 0x178 0178 75D8E5 mov S1CON,#ENS1_STA_NOTSTO_NOTSI_AA_CR0 017B 75D018 mov psw,#SELRB3 ! Initialize SRD counter 017E 01D0 ajmp INITSRD </pre>		

Single-chip 8-bit microcontroller with CAN controller

P8xC591

LOC	OBJ	SOURCE
		!----- ! STATE : 80, Previously addressed with own SLA. DATA received, ACK returned. ! ACTION : Read DATA. ! IF received DATA was the last ! THEN superfluous DATA will be received and NOT ACK returned ! ELSE next DATA will be received and ACK returned.! !-----
		.sect srs80 .base 0x180
0180	75D018	mov psw,#SELRB3
0183	A6DA	mov @r0,S1DAT ! Read received DATA
0185	01D8	ajmp REC2
		.sect srs80s .base 0xd8
00D8	D906	REC2: djnz r1,NOTLDAT3
00DA	75D8C1	LDAT: mov S1CON,#ENS1_NOTSTA_NOTSTO_NOTSI_NOTAA_CR0 ! clr SI,AA
00DD	D0D0	pop psw
00DF	32	reti
00E0	75D8C5	NOTLDAT3: mov S1CON,#ENS1_NOTSTA_NOTSTO_NOTSI_AA_CR0 ! clr SI, set AA
00E3	08	inc r0
00E4	D0D0	RETsr: pop psw
00E6	32	reti
		!----- ! STATE : 88, Previously addressed with own SLA. DATA received NOT ACK returned. ! ACTION : No save of DATA, Enter NOT addressed SLV mode. ! Recognition of own SLA. General call recognized, if S1ADR. 01! !-----
		.sect srs88 .base 0x188
0188	75D8C5	mov S1CON,#ENS1_NOTSTA_NOTSTO_NOTSI_AA_CR0 ! clr SI, set AA
018B	01E4	ajmp RETsr
		!----- ! STATE : 90, Previously addressed with general call. DATA has been received, ACK has been returned. ! ACTION : Read DATA. ! After General call only one byte will be received with ACK the second DATA ! will be received with NOT ACK. ! DATA will be received and NOT ACK returned. !-----
		.sect srs90 .base 0x190
0190	76D018	mov psw,#SELRB3
0193	A6DA	mov @r0,S1DAT ! Read received DATA
0195	01DA	ajmp LDAT

Single-chip 8-bit microcontroller with CAN controller

P8xC591

LOC	OBJ	SOURCE
		!----- ! STATE : 98, Previously addressed with general call. ! DATA has been received, NOT ACK has been returned. ! ACTION : No save of DATA, Enter NOT addressed SLV mode. ! Recognition of own SLA. General call recognized, if S1ADR. 01! !-----
		.sect srs98 .base 0x198
0198	75D8C5	mov S1CON,#ENS1_NOTSTA_NOTSTO_NOTSI_AA_CR0 ! clr SI, set AA
019B	D0D0	pop psw
019D	32	reti
		!----- ! STATE : A0, A STOP condition or repeated START has been received, while still addressed as ! SLV/REC or SLV/TRX. ! ACTION : No save of DATA, Enter NOT addressed SLV mode. ! Recognition of own SLA. General call recognized, if S1ADR. 01. !-----
		.sect srsA0 .base 0x1a0
01A0	75D8C5	mov S1CON,#ENS1_NOTSTA_NOTSTO_NOTSI_AA_CR0 ! clr SI, set AA
01A3	D0D0	pop psw
01A5	32	reti
		!***** ! SLAVE TRANSMITTER STATE SERVICE ROUTINES !*****
		!----- ! STATE : A8, Own SLA+R received, ACK returned. ! ACTION : DATA will be transmitted, A bit received. !-----
		.sect stsa8 .base 0x1a8
01A8	8548DA	mov S1DAT,STD ! load DATA in S1DAT
01AB	75D8C5	mov S1CON,#ENS1_NOTSTA_NOTSTO_NOTSI_AA_CR0 ! clr SI, set AA
01AE	01E8	ajmp INITBASE2
		.sect ibase2 .base 0xe8
00E8	75D018	INITBASE2: mov psw,#SELRB3
00EB	7948	mov r1, #STD
00ED	09	inc r1
00EE	D0D0	pop psw
00F0	32	reti

Single-chip 8-bit microcontroller with CAN controller

P8xC591

LOC	OBJ	SOURCE
		!----- ! STATE : B0, Arbitration lost in SLA and R/W as MST. Own SLA+R received, ACK returned. ! ACTION : DATA will be transmitted, A bit received. ! STA is set to restart MST mode after the bus is free again. !-----
		.sect sstsb0 .base 0x1b0
01B0	8548DA	mov S1DAT,STD ! load DATA in S1DAT
01B3	75D8E5	mov S1CON,#ENS1_STA_NOTSTO_NOTSI_AA_CR0
01B6	01E8	ajmp INITBASE2
		!----- ! STATE : B8, DATA has been transmitted, ACK received. ! ACTION : DATA will be transmitted, ACK bit is received. !-----
		.sect stsb8 .base 0x1b8
01B8	75D018	mov psw,#SELRB3
01BB	87DA	mov S1DAT,@r1
01BD	01F8	ajmp SCON
		.sect scn .base 0xf8
00F8	75D8C5	SCON: mov S1CON,#ENS1_NOTSTA_NOTSTO_NOTSI_AA_CR0 ! clr SI, set AA
00FB	09	inc r1
00FC	D0D0	pop psw
00FE	32	reti
		!----- ! STATE : C0, DATA has been transmitted, NOT ACK received. ! ACTION : Enter not addressed SLV mode. !-----
		.sect stsc0 .base 0x1c0
01C0	75D8C5	mov S1CON,#ENS1_NOTSTA_NOTSTO_NOTSI_AA_CR0 ! clr SI, set AA
01C3	D0D0	pop psw
01C5	32	reti
		!----- ! STATE : C8, Last DATA has been transmitted (AA=0), ACK received. ! ACTION : Enter not addressed SLV mode !-----
		.sect stsc8 .base 0x1c8
01C8	75D8C5	mov S1CON,#ENS1_NOTSTA_NOTSTO_NOTSI_AA_CR0 ! clr SI, set AA
01CB	D0D0	pop psw
01CD	32	reti
		!***** ! END OF SI01 INTERRUPT ROUTINE !*****

Single-chip 8-bit microcontroller with CAN controller

P8xC591

16 TIMER 2

16.1 Features of Timer 2

Timer T2 is a 16-bit timer consisting of two registers TMH2 (HIGH byte) and TML2 (LOW byte). The 16-bit timer/counter can be switched off or clocked via a prescaler from one of two sources: $f_{CLK}/6$ or an external signal. When Timer T2 is configured as a counter, the prescaler is clocked by an external signal on T2 (P3.O). A rising edge on T2 increments the prescaler, and the maximum repetition rate is one count per machine cycle (1 MHz with a 6 MHz oscillator).

The maximum repetition rate for Timer T2 is twice the maximum repetition rate for Timer 0 and Timer 1. T2 (P3.O) is sampled at S2P1 and again at S5P1 (i.e., twice per machine cycle). A rising edge is detected when T2 is LOW during one sample and HIGH during the next sample. To ensure that a rising edge is detected, the input signal must be LOW for at least $\frac{1}{2}$ cycle and then HIGH for at least $\frac{1}{2}$ cycle. If a rising edge is detected before the end of S2P1, the timer will be incremented during the following cycle; otherwise it will be incremented one cycle later. The prescaler has a programmable division factor of 1, 2, 4, or 8 and is cleared if its division factor or input source is changed, or if the timer/counter is reset.

Timer T2 may be read “on the fly” but possesses no extra read latches, and software precautions may have to be taken to avoid misinterpretation in the event of an overflow from least to most significant byte while Timer T2 is being read. Timer T2 is not loadable and is reset by the \overline{RST}

signal or by a rising edge on the input signal RT2, if enabled. RT2 is enabled by setting bit T2ER (TM2CON.5).

When the least significant byte of the timer overflows or when a 16-bit overflow occurs, an interrupt request may be generated. Either or both of these overflows can be programmed to request an interrupt. In both cases, the interrupt vector will be the same. When the lower byte (TML2) overflows, flag T2B0 (TM2CON) is set and flag T20V (TM2IR) is set when TMH2 overflows. These flags are set one cycle after an overflow occurs. Note that when T20V is set, T2B0 will also be set. To enable the byte overflow interrupt, bits ET2 (IEN1.7, enable overflow interrupt, see Table 67) and T2IS0 (TM2CON.6, byte overflow interrupt select) must be set. Bit TWBO (TM2CON.4) is the Timer T2 byte overflow flag. To enable the 16-bit overflow interrupt, bits ET2 (IE1.7, enable overflow interrupt) and T2IS1 (TM2CON.7, 16-bit overflow interrupt select) must be set. Bit T2OV (TM2IR.7) is the Timer T2 16-bit overflow flag. All interrupt flags must be reset by software. To enable both byte and 16-bit overflow, T2IS0 and T2IS1 must be set and two interrupt service routines are required. A test on the overflow flags indicates which routine must be executed. For each routine, only the corresponding overflow flag must be cleared. Timer T2 may be reset by a rising edge on RT2 (P3.1) if the Timer T2 external reset enable bit (T2ER) in TM2CON is set. This reset also clears the prescaler. In the Idle mode, the timer/counter and prescaler are reset and halted. Timer T2 is controlled by the TM2CON special function register (see Section 16.1.1).

Table 66 Timer T2 Interrupt Enable Register IEN1 (address E8H)

7	6	5	4	3	2	1	0
ET2	ECAN	ECM1	ECM0	ECT3	ECT2	ECT1	ECT0

Table 67 Description of interrupt Enable Register IEN1 bits

BIT	SYMBOL	FUNCTION
7	ET2	Enable Timer T2 overflow interrupt(s).
6	ECAN	Enable CAN interrupt.
5	ECM1	Enable T2 Comparator 1 interrupt.
4	ECM0	Enable T2 Comparator 0 interrupt.
3	ECT3	Enable T2 Capture register 3 interrupt.
2	ECT2	Enable T2 Capture register 2 interrupt.
1	ECT1	Enable T2 Capture register 1 interrupt.
0	ECT0	Enable T2 Capture register 0 interrupt.

Single-chip 8-bit microcontroller with CAN controller

P8xC591

16.1.1 T2 CONTROL REGISTER (TM2CON)

Table 68 T2 Control Register (address EAH)

7	6	5	4	3	2	1	0
T2IS1	T2IS0	T2ER	T2BO	T2P1	T2P0	T2MS1	T2MS0

Table 69 Description of TM2CON bits

BIT	SYMBOL	DESCRIPTION
7	T2IS1	Timer T2 16-bit overflow interrupt select.
6	T2IS0	Timer T2 byte overflow interrupt select.
5	T2ER	Timer T2 external reset enable. When this bit is set, Timer T2 may be reset by a rising edge on RT2 (P3.1).
4	T2BO	Timer T2 byte overflow interrupt flag.
3	T2P1	Timer T2 prescaler select (see Table 70).
2	T2P0	
1	T2MS1	Timer T2 mode select (see Table 71).
0	T2MS0	

Table 70 Timer 2 prescaler select

T2P1	T2P0	TIMER T2 CLOCK
0	0	clock source
0	1	$\frac{1}{2} \times$ clock source
1	0	$\frac{1}{4} \times$ clock source
1	1	$\frac{1}{8} \times$ clock source

Table 71 Timer 2 mode select

T2MS1	T2MS0	MODE SELECTED
0	0	Timer T2 halted (off)
0	1	$\frac{1}{12} \times f_{CLK}$ T2 clock source
1	0	Test mode; do not use
1	1	T2 clock source = pin T2

Single-chip 8-bit microcontroller with CAN controller

P8xC591

16.1.2 TIMER T2 EXTENSION

When a 6 MHz oscillator is used, a 16-bit overflow on Timer T2 occurs every 65.5, 131, 262, or 524 ms, depending on the prescaler division ratio; i.e., the maximum cycle time is approximately 0.5 seconds. In applications where cycle times are greater than 0.5 seconds, it is necessary to extend Timer T2. This is achieved by selecting $f_{CLK}/6$ as the clock source (set T2MS0, reset T2MS1), setting the prescaler division ration to $1/8$ (set T2P0, set T2P1), disabling the byte overflow interrupt (reset T2IS0) and enabling the 16-bit overflow interrupt (set T2IS1). The following software routine is written for a three-byte extension which gives a maximum cycle time of approximately 2400 hours.

```
OVINT: PUSH ACO ; save accumulator
        PUSH PSW ; save status
        INC TIMEX1 ; increment first byte (low order) of
                  extended timer
        MOV A, TIMEX1
        JNZ INTEX ; jump to INTEX if; there is no
                  overflow
        INC TIMEX2 ; increment second byte
        MOV A, TIMEX2
        JNZ INTEX ; jump to INTEX if there is no
                  overflow
        INC TIMEX3 ; increment third byte (high order)

INTEX: CLR T2OV ; reset interrupt flag
        POP PSW ; restore status
        POP ACC ; restore accumulator
        RETI ; return from interrupt
```

16.1.3 TIMER T2, CAPTURE AND COMPARE LOGIC

Timer T2 is connected to four 16-bit capture registers and three 16-bit compare registers. A capture register may be used to capture the contents of Timer T2 when a transition occurs on its corresponding input pin. A compare register may be used to set or reset port 3 output pins at certain pre-programmable time intervals. The combination of Timer T2 and the capture and compare logic is very powerful in applications involving rotating machinery, automotive injection systems, etc. Timer T2 and the capture and compare logic are shown in Figure 45.

Single-chip 8-bit microcontroller with CAN controller

P8xC591

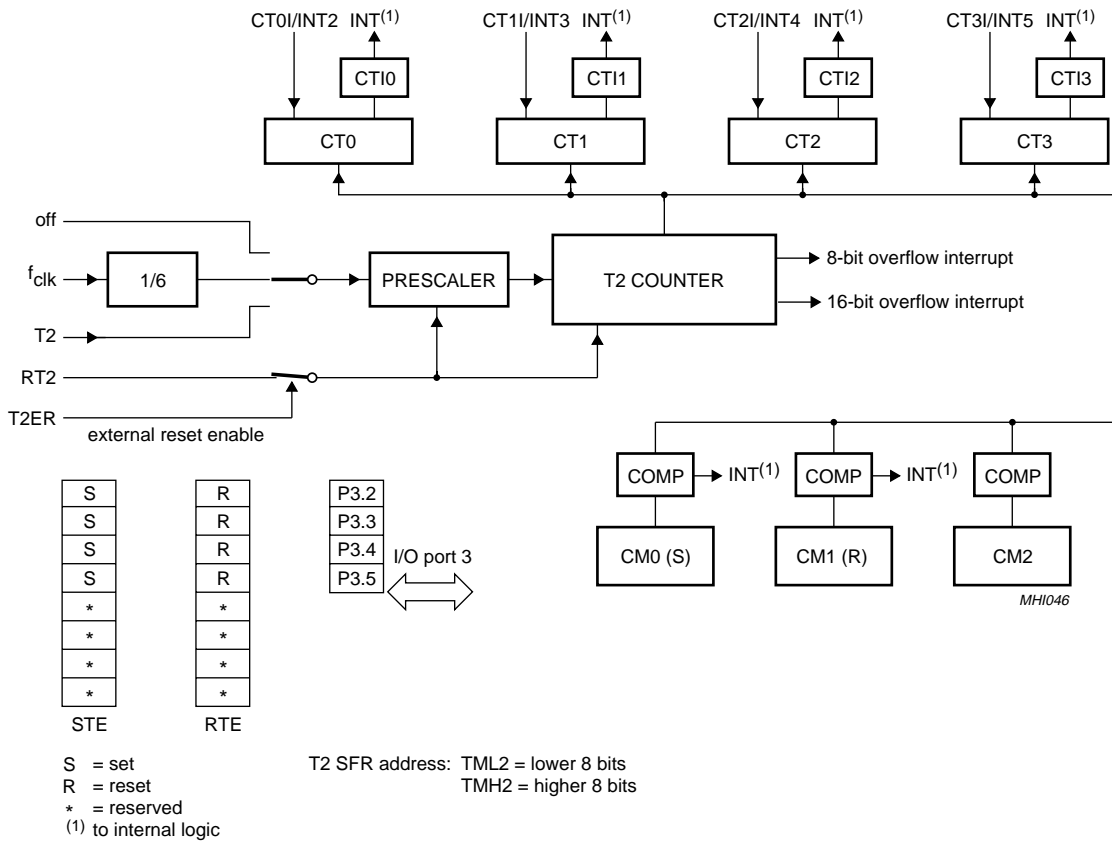


Fig.45 Block diagram of Timer 2.

Single-chip 8-bit microcontroller with CAN controller

P8xC591

16.1.4 CAPTURE LOGIC

The four 16-bit capture registers that Timer T2 is connected to are: CT0, CT1, CT2, and CT3. These registers are loaded with the contents of Timer T2, and an interrupt is requested upon receipt of the input signals CT0I, CT1I, CT2I, or CT3I. These input signals are shared with port 1. The four interrupt flags are in the Timer T2 interrupt register (TM2IR special function register). If the

capture facility is not required, these inputs can be regarded as additional external interrupt inputs (INT2 to INT5).

Using the capture control register CTCON (see Section 16.1.4.1), these inputs may capture on a rising edge, a falling edge, or on either a rising or falling edge. The inputs are sampled during S1P1 of each cycle. When a selected edge is detected, the contents of Timer T2 are captured at the end of the cycle.

16.1.4.1 Capture Control Register (CTCON)

Table 72 Capture Control Register (address EBH)

7	6	5	4	3	2	1	0
CTN3	CTP3	CTN2	CTP2	CTN1	CTP1	CTN0	CTP0

Table 73 Description of CTCON bits

BIT	SYMBOL	DESCRIPTION
7	CTN3	Capture Register 3 triggered by a falling edge on CT3I.
6	CTP3	Capture Register 3 triggered by a rising edge on CT3I.
5	CTN2	Capture Register 2 triggered by a falling edge on CT2I.
4	CTP2	Capture Register 2 triggered by a rising edge on CT2I.
3	CTN1	Capture Register 1 triggered by a falling edge on CT1I.
2	CTP1	Capture Register 1 triggered by a rising edge on CT1I.
1	CTN0	Capture Register 0 triggered by a falling edge on CT0I.
0	CTP0	Capture Register 0 triggered by a rising edge on CT0I.

16.1.5 MEASURING TIME INTERVALS USING REGISTERS

When a recurring external event is represented in the form of rising or falling edges on one of the four capture pins, the time between two events can be measured using Timer T2 and a capture register. When an event occurs, the contents of Timer T2 are copied into the relevant capture register and an interrupt request is generated. The interrupt service routine may then compute the interval time if it knows the previous contents of Timer T2 when the last event occurred. With a 6 MHz oscillator, Timer T2 can be programmed to overflow every 524 ms. When event interval times are shorter than this, computing the interval time is simple, and the interrupt service routine is short. For longer interval times, the Timer T2 extension routine may be used.

CM0 occurs, the controller sets bits 0-3 of port 3 if the corresponding bits of the set enable register STE are at logic 1 (see Section 16.1.6.2).

When a match with CM1 occurs, the controller resets bits 0-3 of port 3 if the corresponding bits of the reset/enable register RTE are at logic 1 (see Section 16.1.6.1). If RTE is "0", then P3.n is not affected by a match between CM1 or CM2 and Timer 2.

Thus, if the current operation is "set," the next operation will be "reset" even if the port latch is reset by software before the "reset" operation occurs. CM0, CM1, and CM2 are reset by the \overline{RST} signal.

The modified port latch information appears at the port pin during S5P1 of the cycle following the cycle in which a match occurred. If the port is modified by software, the outputs change during S1P1 of the following cycle. Each port 3 bit (0-3) can be set or reset by software at any time. A hardware modification resulting from a comparator match takes precedence over a software modification in the same cycle. When the comparator results require a "set" and a "reset" at the same time, the port latch will be reset.

16.1.6 COMPARE LOGIC

Each time Timer T2 is incremented, the contents of the three 16-bit compare registers CM0, CM1, and CM2 are compared with the new counter value of Timer T2. When a match is found, the corresponding interrupt flag in TM2IR is set at the end of the following cycle. When a match with

Single-chip 8-bit microcontroller with CAN controller

P8xC591

16.1.6.1 Reset/Toggle Enable Register (RTE)

Table 74 Reset/Toggle enable register (address EFH)

7	6	5	4	3	2	1	0
–	–	–	–	RP35	RP34	RP33	RP32

Table 75 Description of RTE bits

BIT	SYMBOL	DESCRIPTION
7 to 4	–	Reserved.
3	RP35	If HIGH then P3.5 is reset on a match between CM2 and T2.
2	RP34	If HIGH then P3.4 is reset on a match between CM2 and T2.
1	RP33	If HIGH then P3.3 is reset on a match between CM2 and T2.
0	RP32	If HIGH then P3.2 is reset on a match between CM2 and T2.

16.1.6.2 Set Enable Register (STE)

Table 76 Set enable register (address EEH)

7	6	5	4	3	2	1	0
–	–	–	–	SP35	SP34	SP33	SP32

Table 77 Description of STE bits

BIT	SYMBOL	DESCRIPTION
7	–	Reserved.
3	SP35	If HIGH then P3.5 is set on a match between CM2 and T2.
2	SP34	If HIGH then P3.4 is set on a match between CM2 and T2.
1	SP33	If HIGH then P3.3 is set on a match between CM2 and T2.
0	SP32	If HIGH then P3.2 is set on a match between CM2 and T2.

Single-chip 8-bit microcontroller with CAN controller

P8xC591

16.1.7 TIMER T2 INTERRUPT FLAG REGISTER TM2IR

Seven of the eight Timer T2 interrupt flags are located in special function register TM2IR (see Section 16.1.7.1). The eighth flag is TM2CON.4.

The CT0I and CT1I flags are set during S4 of the cycle in which the contents of Timer T2 are captured. CT0I is scanned by the interrupt logic during S2, and CT1I is scanned during S3. CT2I and CT3I are set during S6 and are scanned during S4 and S5. The associated interrupt requests are recognized during the following cycle. If these flags are polled, a transition at CT0I or CT1I will be recognized one cycle before a transition on CT2I or CT3I since registers are read during S5. The CMI0, CMI1 and CMI2 flags are set during S6 of the cycle following a match.

CMI0 is scanned by the interrupt logic during S2; CMI1 and CMI2 are scanned during S3 and S4. A match of CMI0 and CMI1 will be recognized by the interrupt logic (or by polling the flags) two cycles after the match takes place. A match of CMI2 will cause no interrupt, this flag can be polled only.

The 16-bit overflow flag (T2OV) and the byte overflow flag (T2BO) are set during S6 of the cycle in which the overflow occurs. These flags are recognized by the interrupt logic during the next cycle. Special function register IP1 (see Section 16.1.7.2) is used to determine the Timer T2 interrupt priority. Setting a bit high gives that function a high priority, and setting a bit low gives the function a low priority. The functions controlled by the various bits of the IP1 register are shown in Section 16.1.6.2.

16.1.7.1 Interrupt Flag Register (TM2IR)

Table 78 Interrupt flag register (address C8H)

7	6	5	4	3	2	1	0
T2OV	CMI2/CAN	CMI1	CMI0	CTI3	CTI2	CTI1	CTI0

Table 79 Description of TM2IR bits

BIT	SYMBOL	DESCRIPTION
7	T2OV	T2: 16-bit overflow interrupt flag.
6	CMI2/CAN	CM2: flag (for polling only). CAN: CAN interrupt flag (polling only).
5	CMI1	CM1: interrupt flag.
4	CMI0	CM0: interrupt flag.
3	CTI3	CT3: interrupt flag.
2	CTI2	CT2: interrupt flag.
1	CTI1	CT1: interrupt flag.
0	CTI0	CT0: interrupt flag.

16.1.7.2 Interrupt Priority Register 1 (IP1)

Table 80 Interrupt Priority Register 1 (address F8H)

7	6	5	4	3	2	1	0
PT2	PCAN	PCM1	PCM0	PCT3	PCT2	PCT1	PCT0

Table 81 Description of IP1 bits

BIT	SYMBOL	DESCRIPTION
7	PT2	T2 overflow interrupt(s) priority level.
6	PCAN	CAN interrupt priority level.
5	PCM1	T2 comparator 1 priority interrupt level.
4	PCM0	T2 comparator 0 priority interrupt level.
3	PCT3	T2 capture register 3 priority interrupt level.
2	PCT2	T2 capture register 2 priority interrupt level.
1	PCT1	T2 capture register 1 priority interrupt level.
0	PCT0	T2 capture register 0 priority interrupt level.

Single-chip 8-bit microcontroller with CAN controller

P8xC591

17 WATCHDOG TIMER (T3)

In addition to Timer T2 and the standard timers, a Watchdog Timer (T3) is also incorporated on the P8xC591. The purpose of a Watchdog Timer is to reset the microcontroller if it enters erroneous processor states (possibly caused by electrical noise or RFI) within a reasonable period of time. An analogy is the “dead man’s handle” in railway locomotives. When enabled, the watchdog circuitry will generate a system reset if the user program fails to reload the Watchdog Timer within a specified length of time known as the “watchdog interval”.

Watchdog Circuit Description:

The watchdog timer (Timer T3) consists of an 8-bit timer with an 11-bit prescaler as shown in Figure 46. The prescaler is fed with a signal whose frequency is $\frac{1}{6}$ the oscillator frequency (1 MHz with a 6 MHz oscillator). The 8-bit timer is incremented every “t” seconds, where:

T3 is incremented every 768 μ s, derived from the oscillator frequency of 16 MHz by the following formula:

$$t = 6 \times 2048 \times 1/f_{\text{CLK}} = 768 \mu\text{s at } f_{\text{CLK}} = 16 \text{ MHz.}$$

If the 8-bit timer overflows, a short internal reset pulse is generated which will reset the P8xC591. A short output reset pulse is also generated at the $\overline{\text{RST}}$ pin. This short output pulse (3 machine cycles) may be destroyed if the $\overline{\text{RST}}$ pin is connected to a capacitor. This would not, however, affect the internal reset operation.

Watchdog operation is activated by setting the ‘WDE’ bit in Special Function Register AUXR1. Once ‘WDE’ is set, it can only be disabled by applying a reset.

How to Operate the Watchdog Timer:

The watchdog timer has to be reloaded within periods that are shorter than the programmed watchdog interval; otherwise the watchdog timer will overflow and a system reset will be generated. The user program must therefore continually execute sections of code which reload the watchdog timer. The period of time elapsed between execution of these sections of code must never exceed the watchdog interval. When using a 16 MHz oscillator, the watchdog interval is programmable between 768 μ s and 196 ms.

In order to prepare software for watchdog operation, a programmer should first determine how long his system can sustain an erroneous processor state. The result will be the maximum watchdog interval. As the maximum watchdog interval becomes shorter, it becomes more difficult for the programmer to ensure that the user program always reloads the watchdog timer within the watchdog interval, and thus it becomes more difficult to implement watchdog operation.

The programmer must now partition the software in such a way that reloading of the watchdog is carried out in accordance with the above requirements. The programmer must determine in execution times of all software modules. The effect of possible conditional branches, subroutines, external and internal interrupts must all be taken into account. Since it may be very difficult to evaluate the execution times of some sections of code, the programmer should use worst case estimations. In any event, the programmer must make sure that the watchdog is not activated during normal operation.

The watchdog timer is reloaded in two stages in order to prevent erroneous software from reloading the watchdog. First PCON.4 (WLE) must be set. The T3 may be loaded. When T3 is loaded, PCON.4 (WLE) is automatically reset. T3 cannot be loaded if PCON.4 (WLE) is reset. Reload code may be put in a subroutine as it is called frequently. Since Timer T3 is an up-counter, a reload value of 00H gives the maximum watchdog interval (255 ms with a 12 MHz oscillator), and a reload value of 0FFH gives the minimum watchdog interval (1 ms with a 12 MHz oscillator).

In the Idle mode, the watchdog circuitry remains active. When watchdog operation is implemented, the Power-down mode cannot be used since both states are contradictory. Thus, when watchdog operation is enabled by setting ‘WDE’ bit in AUXR1.4, it is not possible to enter the Power-down mode, and an attempt to set the Power-down bit (PCON.1) will have no effect. PCON.1 will remain at logic 0.

Watchdog Software Example:

The following example shows how watchdog operation might be handled in a user program.

; at the program start:

```
T3          EQU  0FFH ;address of watchdog
                    timer T3
PCON        EQU  087H ;address of PCON SFR
WATCH-INTV EQU  156  ;watchdog interval
                    (e.g., 2 x 100 ms)
```

*;to be inserted at each watchdog location within
the user program:*

```
LCALL WATCHDOG
```

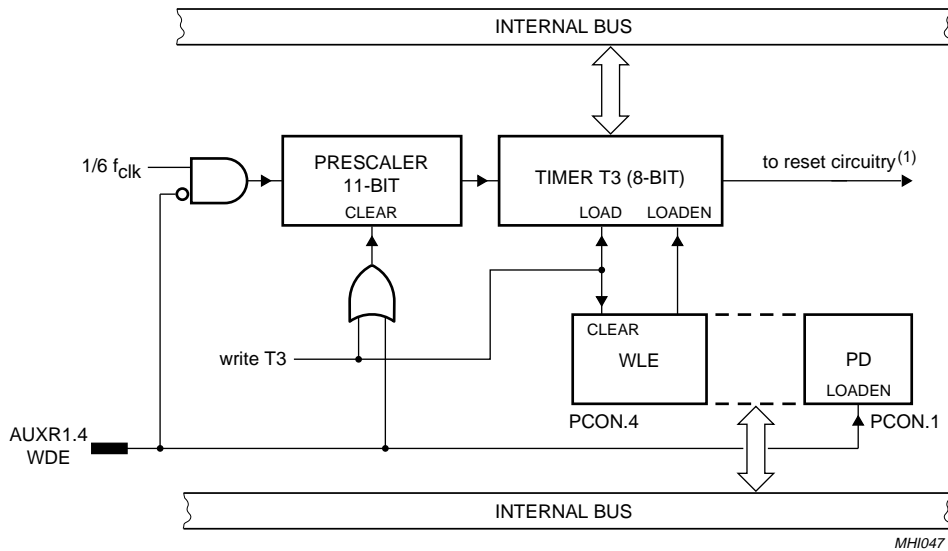
;watchdog service routine:

```
WATCHDOG: ORL  PCON,#10H ;set condition flag
                    (PCON.4)
           MOV  T3,WATCH-INV ;load T3 with
                    watchdog interval
           RET
```

If its possible for this subroutine to be called in an erroneous state, then the condition flag WLE should be set at different parts of the main program.

Single-chip 8-bit microcontroller with CAN controller

P8xC591



(1) See Fig.8.

MHI047

Fig.46 Functional diagram of T3 Watchdog Timer.

Single-chip 8-bit microcontroller with CAN controller

P8xC591

18 PULSE WIDTH MODULATED OUTPUTS

The P8xC591 contains two Pulse Width Modulated (PWM) output channels (see Fig.47). These channels generate pulses of programmable length and interval. The repetition frequency is defined by an 8-bit prescaler PWMP, which supplies the clock for the counter. The prescaler and counter are common to both PWM channels. The 8-bit counter counts modulo 255, i.e., from 0 to 254 inclusive. The value of the 8-bit counter is compared to the contents of two registers: PWM0 and PWM1.

Provided the contents of either of these registers is greater than the counter value, the corresponding $\overline{PWM0}$ or $\overline{PWM1}$ output is set LOW. If the contents of these registers are equal to, or less than the counter value, the output will be HIGH. The pulse-width-ratio is therefore defined by the contents of the registers PWM0 and PWM1. The pulse-width-ratio is in the range of $0/255$ to $255/255$ and may be programmed in increments of $1/255$.

Buffered PWM outputs may be used to drive DC motors. The rotation speed of the motor would be proportional to the contents of \overline{PWMn} . The PWM outputs may also be configured as a dual DAC.

In this application, the PWM outputs must be integrated using conventional operational amplifier circuitry. If the resulting output voltages have to be accurate, external buffers with their own analog supply should be used to buffer the PWM outputs before they are integrated.

The repetition frequency f_{PWM} , at the \overline{PWMn} outputs is

$$\text{given by: } f_{PWM} = \frac{f_{CLK}}{(PWMP + 1) \times 255}$$

This gives a repetition frequency range of 246 Hz to 62.8 kHz (at $f_{CLK} = 16$ MHz). By loading the PWM registers with either 00H or FFH, the PWM channels will output a constant HIGH or LOW level, respectively. Since the 8-bit counter counts modulo 255, it can never actually reach the value of the PWM registers when they are loaded with FFH.

When a compare register (PWM0 or PWM1) is loaded with a new value, the associated output is updated immediately. It does not have to wait until the end of the current counter period. Both \overline{PWMn} output pins are driven by push-pull drivers. These pins are not used for any other purpose.

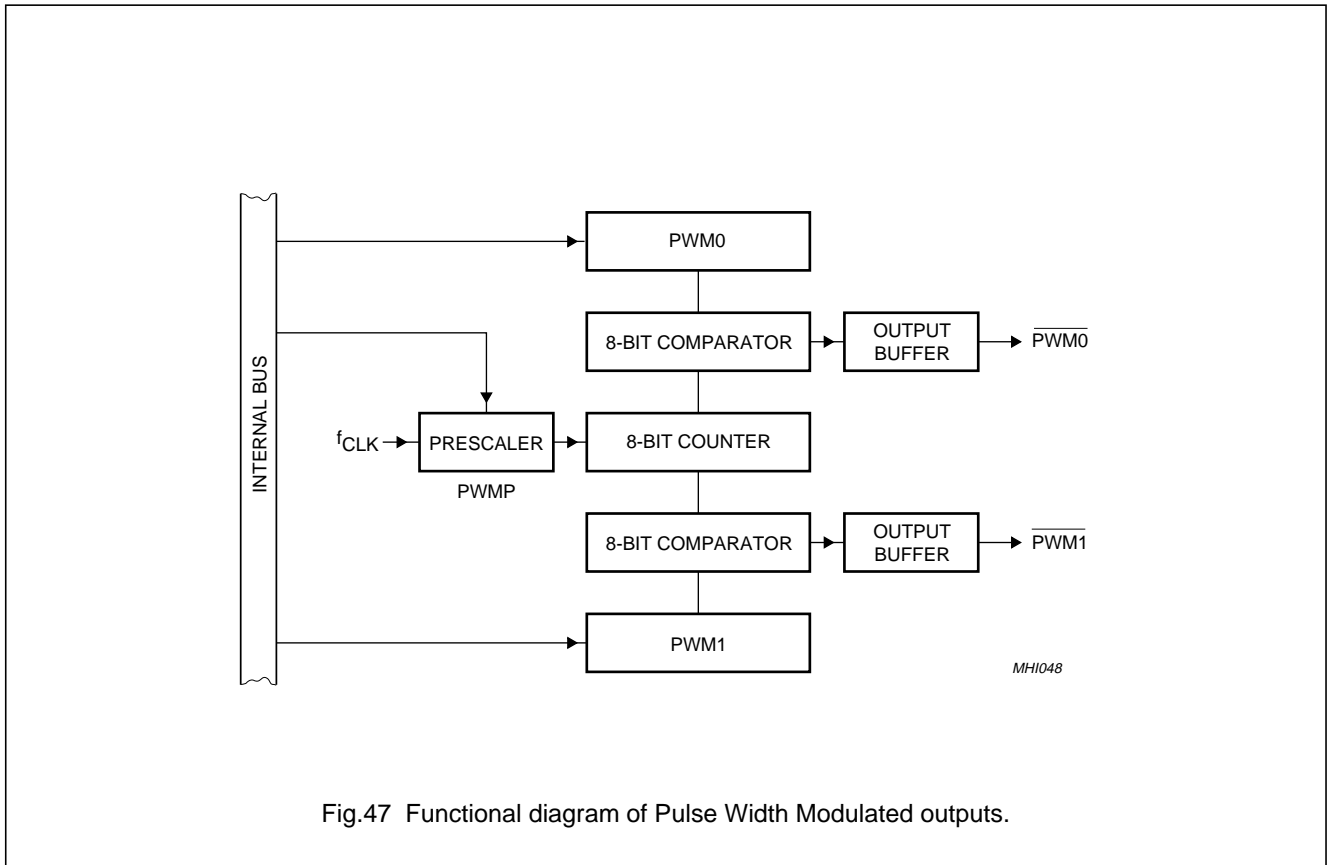


Fig.47 Functional diagram of Pulse Width Modulated outputs.

Single-chip 8-bit microcontroller with CAN controller

P8xC591

18.1 Prescaler Frequency Control Register (PWMP)

Reading PWMP gives the current reload value. The actual count of the prescaler cannot be read.

Table 82 Prescaler Frequency Control Register (address FEH), Reset Value = 00H

7	6	5	4	3	2	1	0
PWMP.7	PWMP.6	PWMP.5	PWMP.4	PWMP.3	PWMP.2	PWMP.1	PWMP.0

Table 83 Description of PWMP bits

BIT	SYMBOL	DESCRIPTION
7 to 0	PWMP.7 to PWMP.0	Prescaler division factor. The Prescaler division factor = (PWMP) + 1.

18.2 Pulse Width Register 0 (PWM0)**Table 84** Pulse width register (address FCH), Reset Value = 00H

7	6	5	4	3	2	1	0
PWM0.7	PWM0.6	PWM0.5	PWM0.4	PWM0.3	PWM0.2	PWM0.1	PWM0.0

Table 85 Description of PWM0 bits

BIT	SYMBOL	DESCRIPTION
7 to 0	PWM0.7 to PWM0.0	Pulse width ratio. LOW/HIGH ratio of $\overline{\text{PWM0}}$ signals = $\frac{(\text{PWM0})}{255 - (\text{PWM0})}$

18.3 Pulse Width Register 1 (PWM1)**Table 86** Pulse width register (address FDH)

7	6	5	4	3	2	1	0
PWM1.7	PWM1.6	PWM1.5	PWM1.4	PWM1.3	PWM1.2	PWM1.1	PWM1.0

Table 87 Description of PWM1 bits

BIT	SYMBOL	DESCRIPTION
7 to 0	PWM1.7 to PWM1.0	Pulse width ratio. LOW/HIGH ratio of $\overline{\text{PWM1}}$ signals = $\frac{(\text{PWM1})}{255 - (\text{PWM1})}$

Single-chip 8-bit microcontroller with CAN controller

P8xC591

19 PORT 1 OPERATION

Port 1 may be used to input up to 6 analog signals ADC. Unused ADC inputs may be used to input digital inputs. These inputs have an inherent hysteresis to prevent the input logic from drawing excessive current from the power lines when driven by analog signals. Channel to channel crosstalk (C_t) should be taken into consideration when both analog and digital signals are simultaneously input to Port 3 (see Chapter 24 "DC Characteristics").

20 ANALOG-TO-DIGITAL CONVERTER (ADC)**20.1 ADC features**

- 10-bit resolution
- 6 multiplexed analog inputs
- Start of a conversion by software or with an external signal
- Conversion time for one analog-to-digital conversion: 18.75 μ s @ 16 MHz
- Differential non-linearity (DL_e): ± 1 LSB
- Integral non-linearity (IL_e): ± 2 LSB
- Offset error (OS_e): ± 2 LSB
- Gain error (G_e): $\pm 4\%$
- Absolute voltage error (A_e): 3 LSB
- Channel-to-channel matching (M_{ctc}): ± 1 LSB
- Crosstalk between analog inputs (C_t): < 60 dB at 100 kHz
- Monotonic and no missing codes
- Separated analog (V_{SSA}) and digital (V_{DD} , V_{SS}) supply voltages
- Reference voltage special pin: $V_{ref(p)(A)}$.

For information on the ADC characteristics, refer to Chapter 24.

20.2 ADC functional description

The analog input circuitry consists of an 6-input analog multiplexer and a 10-bit, straight binary, successive approximation ADC. The A/D can also be operated in 8-bit mode with faster conversion times by setting bit ADC8 (AUXR1.7). The 8-bit result will be contained in the ADCH register. The analog reference voltage and analog power supplies are connected via separate input pins. For 10-bit accuracy, the conversion takes 50 machine cycles, i.e., 18.75 μ s at an oscillator frequency of 16 MHz. For the 8-bit mode, the conversion takes 24 machine cycles. Input voltage swing is from 0 V to +5 V. Because the internal DAC employs a ratiometric potentiometer, there are no discontinuities in the converter characteristic. Figure 48 shows a functional diagram of the analog input circuitry.

The ADC has the option of either being powered off in Idle mode for reduced power consumption or being active in the Idle mode for reducing internal noise during the conversion. This option is selected by the AIDL bit of AUXR1 register (AUXR1.6). With the AIDL bit set, the ADC is active in the Idle mode, and with the AIDL bit cleared, the ADC is powered off in Idle mode.

Single-chip 8-bit microcontroller with CAN controller

P8xC591

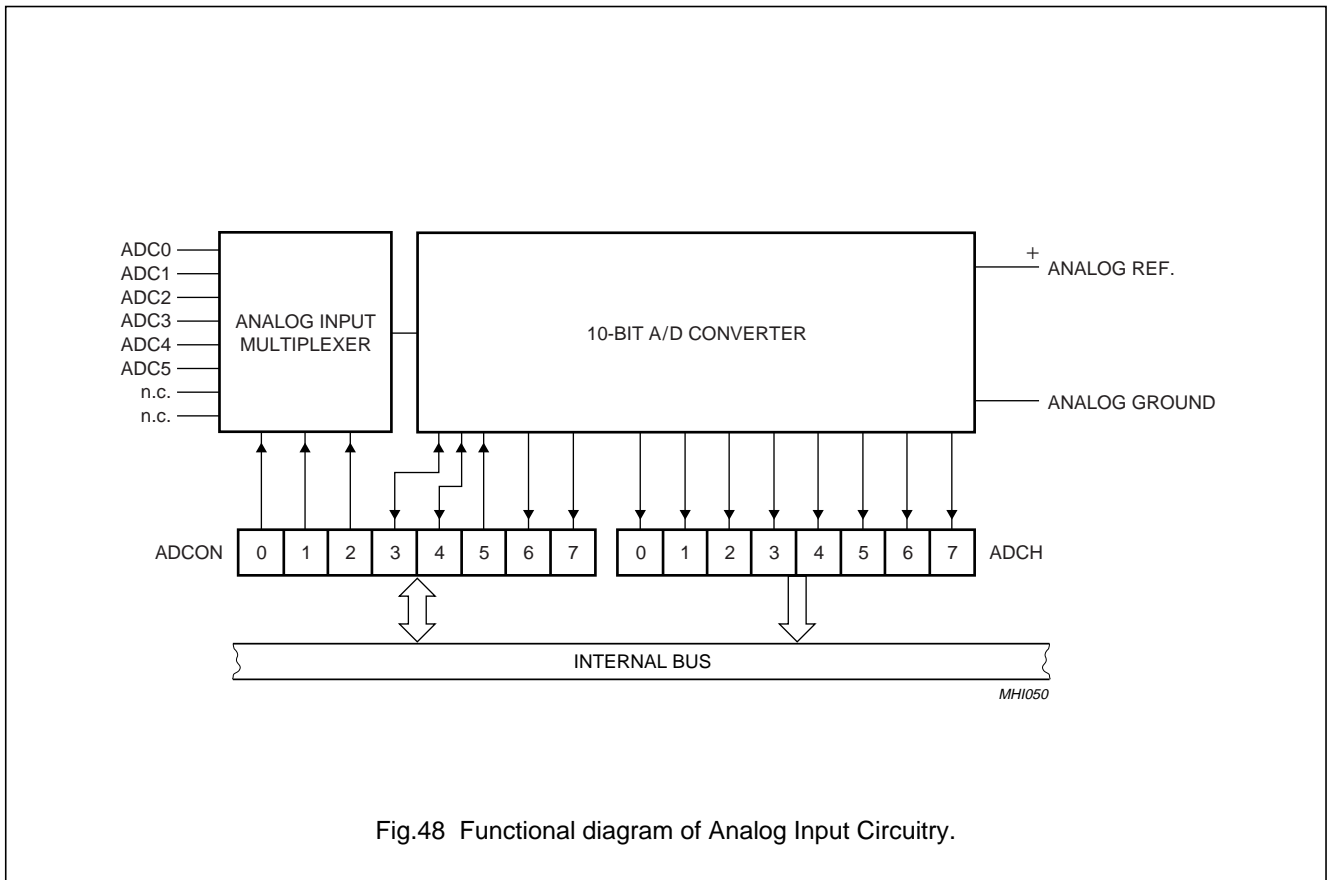


Fig.48 Functional diagram of Analog Input Circuitry.

20.3 10-Bit Analog-to-Digital Conversion

Figure 48 shows the elements of a successive approximation (SA) ADC. The ADC contains a DAC which converts a successive approximation register to a voltage (VDAC) which is compared to the analog input voltage (V_{IN}). The output of the comparator is fed to the successive approximation control logic which controls the successive approximation register. A conversion is initiated by setting ADCS in ADCON register. ADCS can be set by software only.

The software start mode is selected when control bit ADCON.5 (ADEX) = 0. A conversion is then started by setting control bit ADCON.3 (ADCS). The software start mode is selected when ADCON.5 = 1, and a conversion may be started by setting ADCON.3.

When a conversion is initiated, the conversion starts at the beginning of the machine cycle which follows the instruction that sets ADCS. ADCS is actually implemented with two flip-flops; a command flip-flop which is affected by set operations, and a status flag which is accessed during read operations.

The next two machine cycles are used to initiate the converter. At the end of the first cycle, the ADCS status flag is set and a value of "1" will be returned if the ADCS flag is read while the conversion is progress. Sampling of the analog input commences at the end of the second cycle.

During the next eight machine cycles, the voltage at the previously selected pin of port 1 is sampled, and this input voltage should be stable in order to obtain a useful sample. In any event, the input voltage slew rate must be less than 10 V/ms in order to prevent an undefined result.

The successive approximation control logic first sets the most significant bit and clears all other bits in the successive approximation register (10 0000 0000B). The output of the DAC (50% full scale) is compared to the input voltage V_{IN} . If the input voltage is greater than VDAC, then the bit remains set; otherwise it is cleared.

The successive approximation control logic now sets the next most significant bit (11 0000 0000B or 01 0000 0000B, depending on the previous result), and VDAC is compared to V_{IN} again. If the input voltage is greater than VDAC, then the bit being tested remains set;

Single-chip 8-bit microcontroller with CAN controller

P8xC591

otherwise the bit being tested is cleared. This process is repeated until all ten bits have been tested, at which stage the result of the conversion is held in the successive approximation register. Figure 48 shows a conversion flow chart. The bit pointer identifies the bit under test. The conversion takes four machine cycles per bit.

The end of the 10-bit conversion is flagged by control bit ADCON.4 (ADCI). The upper 8 bits of the result are held in Special Function Register ADCH, and the two remaining bits are held in ADCON.7 (ADC.1) and ADCON.6 (ADC.0). The user may ignore the two least significant bits in ADCON and use the ADC as an 8-bit converter (8 upper bits in ADCH). In any event, the total actual conversion

time is 50 machine cycles for the P8xC591. ADCI will be set and the ADCS status flag will be reset 50 (or 24) cycles after the command flip-flop (ADCS) is set.

Control bits ADCON.0, ADCON.1, and ADCON.2 are used to control an analog multiplexer which selects one of six analog channels (see Section 20.3.1). An ADC conversion in progress is unaffected by a new software ADC start. The result of a completed conversion remains unaffected provided ADCI = logic 1; a new ADC conversion already in progress is aborted when the Idle or Power-down mode is entered. The result of a completed conversion (ADCI = logic 1) remains unaffected when entering the Idle mode.

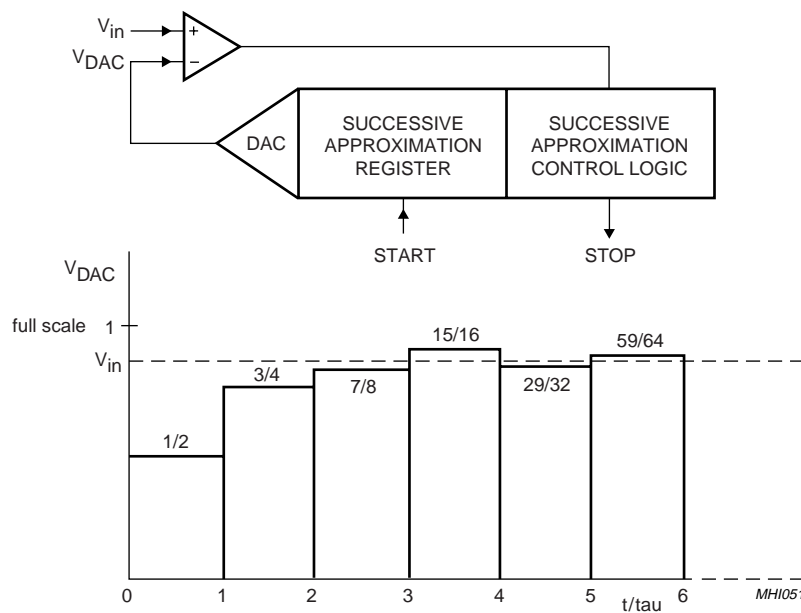


Fig.49 Successive Approximation ADC.

Single-chip 8-bit microcontroller with CAN controller

P8xC591

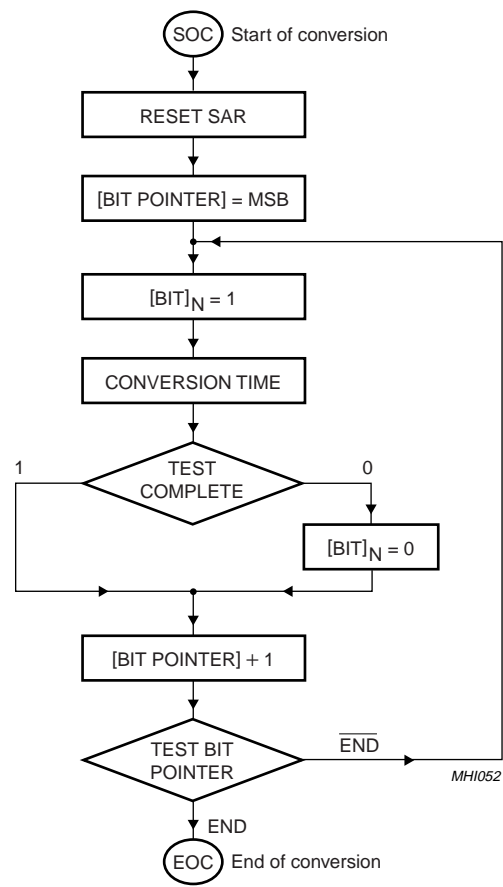


Fig.50 A/D Conversion Flowchart.

Single-chip 8-bit microcontroller with CAN controller

P8xC591

20.3.1 ADC CONTROL REGISTER (ADCON)

Table 88 ADC Control Register (address C5H); Reset value = xx00 0000B

7	6	5	4	3	2	1	0
ADC.1	ADC.0	ADEX	ADCI	ADCS	AADR2	AADR1	AADR0

Table 89 Description of ADCON bits

BIT	SYMBOL	DESCRIPTION
7	ADC.1	Bit 1 of ADC result.
6	ADC.0	Bit 0 of ADC result.
5	–	Reserved for future use.
4	ADCI	ADC interrupt flag. This flag is set when an A/D conversion result is ready to be read. An interrupt is invoked if its is enabled. The flag may be cleared by the interrupt service routine. While this flag is set, the ADC cannot start a new conversion. ADCI cannot be set by software.
3	ADCS	ADC start and status. Setting this bit starts an A/D conversion. It is set by software. The ADC logic ensures that this signal is HIGH while the ADC is busy. On completion of the conversion. ADCS is reset immediately after the interrupt flag has been set. ADCS cannot be reset by software. A new conversion may not be started while either ADCS or ADCI is high (see Table 90). If ADDCI is cleared by software while ADCS is set at the same time, a new A/D conversion with the same channel number may be started. But it is recommended to reset ADCI before ADCS is set.
2 to 0	AADR2 to AADR0	Analogue input select: This binary coded address selects one of the six analogue port bits of P1 to be input to the converter. It can only be changed when ADCI and ADCS are both LOW.

Table 90 ADC status

ADCI	ADCS	ADC STATUS
0	0	ADC not busy; a conversion can be started
0	1	ADC busy; start of a new conversion is blocked
1	0	Conversion completed; start of a new conversion requires ADCI=0
1	1	Conversion completed; start of a new conversion requires ADCI=0

Table 91 Selected analog channel

AADR2	AADR1	AADR0	SELECTED ANALOG CHANNEL
0	0	0	ADC0 (P1.2)
0	0	1	ADC1 (P1.3)
0	1	0	ADC2 (P1.4)
0	1	1	ADC3 (P1.5)
1	0	0	ADC4 (P1.6)
1	0	1	ADC5 (P1.7)

Single-chip 8-bit microcontroller with CAN controller

P8xC591

20.4 10-Bit ADC Resolution and Analog Supply

Figure 48 shows how the ADC is realized. The ADC has its own analog ground (AV_{SS}) and a positive analog reference pin (V_{ref+}) connected to each end of the DAC's resistance-ladder. The ladder has 1023 equally spaced taps, separated by a resistance of "R". The first tap is located 0.5 x R above AV_{SS}, and the last tap is located 1.5 x R below V_{ref+}. This gives a total ladder resistance of 1024 x R. This structure ensures that the DAC is monotonic and results in a symmetrical quantization error is shown in Figure 48.

For input voltages between 0 V and + 1/2 LSB, the 10-bit result of an A/D conversion will be 00 0000 0000B = 0000H. For input voltages between (V_{ref+}) - 3/2 LSB and V_{ref+}, the result of a conversion will be 11 1111 1111B = 3FFFH. AV_{ref+} may be between V_{DD} +0.2 V and AV_{SS} - 0.2 V. AV_{ref+} should be positive 0 V and AV_{ref+}. If the analog input voltage range is from 2 V to 4 V, the 10-bit resolution can be obtained over this range if AV_{ref+} = 4 V.

The result can always be calculated from the following formula:

$$\text{Result} = 1024 \times \frac{V_{IN}}{AV_{ref+}}$$

20.5 Power Reduction Modes

The P8xC591 has two reduced power modes of operation: the Idle mode and the Power-down mode. These modes are entered by setting bits in the PCON Special Function Register. When the P8xC591 enters the Idle mode, the following functions are disabled:

- CPU (halted)
- Timer T2 (halted and reset)
- PWM0, PWM1 (reset; outputs are high)
- ADC (may be enabled for operation in Idle mode by setting bit AIDC (AUXR1.6).

In Idle mode, the following functions remain active:

- Timer 0
- Timer 1
- Timer T3
- SIO0 SIO1
- External interrupts

When the P8xC591 enters the Power-down mode, the oscillator is stopped. The Power-down mode is entered by setting the PD bit in the PCON register. The PD bit can only be set if the 'WDE' bit is 0.

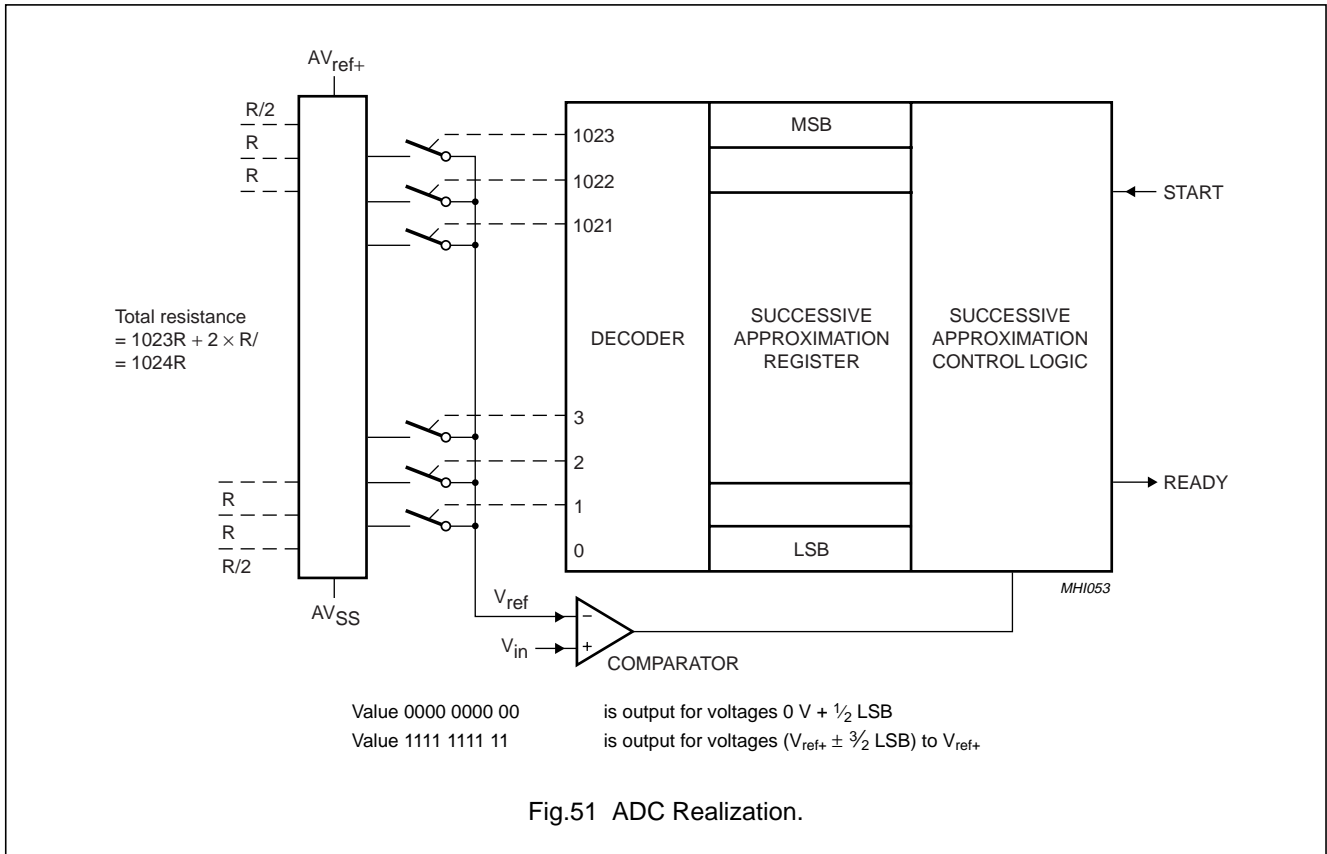
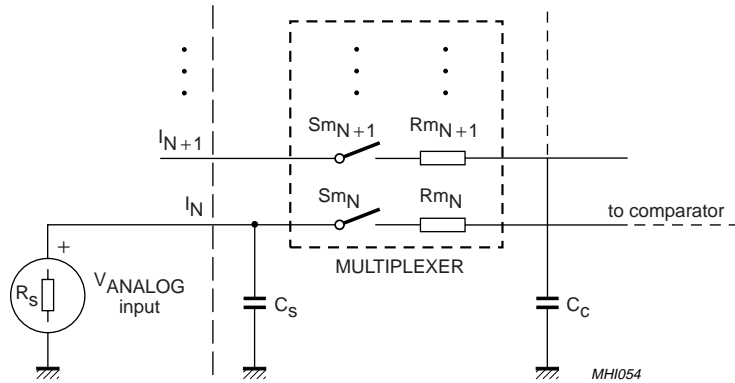


Fig.51 ADC Realization.

Single-chip 8-bit microcontroller with CAN controller

P8xC591



$R_m = 0.5 - 3 \text{ k}\Omega$
 $C_S + C_C = 15 \text{ pF}$ maximum
 $R_S = \text{Recommended} < 9.6 \text{ k}\Omega$ for 1 LSB @ 12 MHz

Note:

Because the analog to digital converter has a sampled-data comparator, the input looks capacitive to a source. When a conversion is initiated, switch S_m closes for $8 t_{CY}$ ($4 \mu\text{s}$ @ 12 MHz crystal frequency) during which time capacitance $C_S + C_C$ is changed. It should be noted that the sampling causes the analog input to prevent a varying load to an analog source.

Fig.52 A/D Input: Equivalent Circuit.

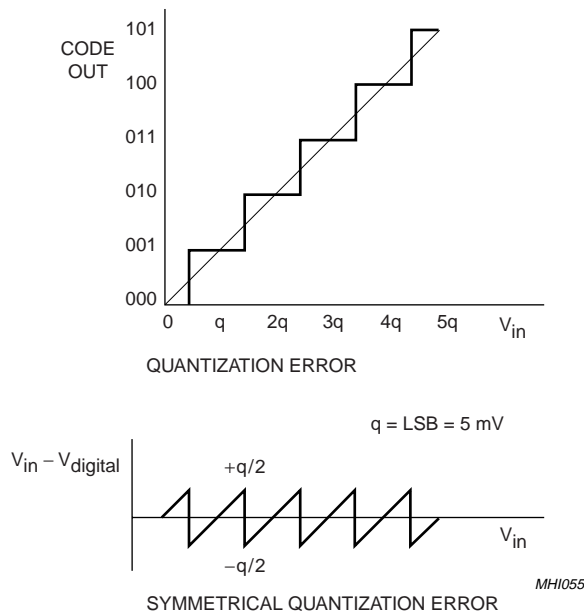


Fig.53 Effective Conversion Characteristic.

Single-chip 8-bit microcontroller with CAN controller

P8xC591

21 INTERRUPTS

The 8xC591 has fifteen interrupt sources, each of which can be assigned one of four priority levels. The five interrupt sources common to the 80C51 are the external interrupts ($\overline{INT0}$ and $\overline{INT1}$), the timer 0 and timer 1 interrupts (IT0 and IT1), and the serial I/O interrupt (RI or TI). In the 8xC591, the standard serial interrupt is called SIO0.

The seven Timer T2 interrupts are generated by flags CTI0-CTI3, CMI0-CMI1, and by the logical OR of flags T2OV and T2BO. Flags CTI0 to CTI3 are set by input signals CT0I to CT3I. The inputs INT2 to INT5 can be regarded as 4 additional external interrupts, if the capture facility of Timer T2 is not used (details see Timer T2 in Section 16.1.4.1).

Flags CMI0 to CMI1 are set when a match occurs between Timer T2 and the compare registers CM0 and CM1. When an 8-bit or 16-bit overflow occurs, flags T2BO and T2OV are set, respectively. These eight flags are not cleared by hardware and must be reset by software to avoid recurring interrupts.

The ADC interrupt is generated by the ADCl flag in the ADC control register (ADCON). This flag is set when an ADC conversion result is ready to be read. ADCl is not cleared by hardware and must be reset by software to avoid recurring interrupts. The SIO1 (I²C) interrupt is generated by the SI flag in the SIO1 control register (S1CON). This flag is set when S1STA is loaded with a valid status code.

The ADCl flag may be reset by software. It cannot be set by software. All other flags that generate interrupts may be set or cleared by software, and the effect is the same as setting or resetting the flags by hardware. Thus, interrupts may be generated by software and pending interrupts can be cancelled by software.

A CAN interrupt is generated (vector address 006BH) when one or more bits of CANCON register are set (refer to CAN Section 12.5.5 Interrupt Register (IR) for details).

21.1 Interrupt Enable Registers

Each interrupt source can be individually enabled or disabled by setting or clearing a bit in the interrupt enable Special Function Registers IENO and IEN1. All interrupt sources can also be globally enabled or disabled by setting or clearing bit EA in IENO. The interrupt enable registers are described in Section 21.2.1 and 21.2.2).

There are 3 SFRs associated with each of the four-level interrupts. They are the IENx, IPx, and IPxH (see Section 21.2.3 to 21.2.6). The IPxH (Interrupt Priority High) register makes the four-level interrupt structure possible.

The function of the IPxH SFR is simple and when combined with the IPx SFR determines the priority of each interrupt. The priority of each interrupt is determined as shown in the following table:

Table 92

PRIORITY BITS		INTERRUPT PRIORITY LEVEL
IPxH.x	IPx.x	
0	0	Level 0 (lowest priority)
0	1	Level 1
1	0	Level 2
1	1	Level 3 (highest priority)

The priority scheme for servicing the interrupts is the same as that for the 80C51, except there are four interrupt levels rather than two as on the 80C51. An interrupt will be serviced as long as an interrupt of equal or higher priority is not already being serviced. If an interrupt of equal or higher level priority is being serviced, the new interrupt will wait until it is finished before being serviced. If a lower priority level interrupt is being serviced, it will be stopped and the new interrupt serviced. When the new interrupt is finished, the lower priority level interrupt that was stopped will be completed.

Single-chip 8-bit microcontroller with CAN controller

P8xC591

21.2 Interrupt Enable and Priority Registers

21.2.1 INTERRUPT ENABLE REGISTER 0 (IEN0)

Logic 0 = interrupt disabled; logic 1 = interrupt enabled.

Table 93 Interrupt Enable Register 0 (address A8H)

7	6	5	4	3	2	1	0
EA	EAD	ES1	ES0	ET1	EX1	ET0	EX0

Table 94 Description of IEN0 bits

BIT	SYMBOL	DESCRIPTION
7	EA	Global enable/disable control. If bit \overline{EA} is: LOW, then no interrupt is enabled. HIGH, then any individually enabled interrupt will be accepted.
6	EAD	Enable ADC interrupt.
5	ES1	Enable SIO1 (I ² C) interrupt.
4	ES0	Enable SIO0 (UART) interrupt.
3	ET1	Enable Timer 1 interrupt.
2	EX1	Enable External 1 interrupt / Seconds interrupt.
1	ET0	Enable Timer 0 interrupt.
0	EX0	Enable External 0 interrupt.

21.2.2 INTERRUPT ENABLE REGISTER 1 (IEN1)

Logic 0 = interrupt disabled; logic 1 = interrupt enabled.

Table 95 Interrupt Enable Register 1 (address E8H)

7	6	5	4	3	2	1	0
ET2	ECAN	ECM1	ECM0	ECT3	ECT2	ECT1	ECT0

Table 96 Description of IEN1 bits

BIT	SYMBOL	DESCRIPTION
7	ET2	Enable T2 overflow interrupt(s).
6	ECAN	Enable CAN interrupt.
5	ECM1	Enable T2 comparator 1 interrupt.
4	ECM0	Enable T2 comparator 0 interrupt.
3	ECT3	Enable T2 capture register 3 interrupt.
2	ECT1	Enable T2 capture register 2 interrupt.
1	ECT1	Enable T2 capture register 1 interrupt.
0	ECT0	Enable T2 capture register 0 interrupt.

Single-chip 8-bit microcontroller with CAN controller

P8xC591

21.2.3 INTERRUPT PRIORITY REGISTER 0 (IP0)

Logic 0 = low priority; logic 1 = high priority.

Table 97 Interrupt Priority Register 0 (address B8H)

7	6	5	4	3	2	1	0
–	PAD	PS1	PS0	PT1	PX1	PT0	PX0

Table 98 Description of IP0 bits

BIT	SYMBOL	DESCRIPTION
7	–	Reserved for future use.
6	PAD	ADC interrupt priority level.
5	PS1	SIO1 (I ² C) interrupt priority level.
4	PS0	SIO0 (UART) interrupt priority level.
3	PT1	Timer 1 interrupt priority level.
2	PX1	External interrupt 1/Seconds priority level.
1	PT0	Timer 0 interrupt priority level.
0	PX0	External interrupt 0 priority level.

21.2.4 INTERRUPT PRIORITY HIGH REGISTER 0 (IP0H)

Logic 0 = low priority; logic 1 = high priority.

Table 99 Interrupt Priority High Register 0 (address B7H)

7	6	5	4	3	2	1	0
–	PADH	PS1H	PS0H	PT1H	PX1H	PT0H	PX0H

Table 100 Description of IP0H bits

BIT	SYMBOL	DESCRIPTION
7	–	Reserved for future use.
6	PADH	ADC interrupt priority level.
5	PS1H	SIO1 (I ² C) interrupt priority level.
4	PS0H	SIO0 (UART) interrupt priority level.
3	PT1H	Timer 1 interrupt priority level.
2	PX1H	External interrupt 1/Seconds priority level.
1	PT0H	Timer 0 interrupt priority level.
0	PX0H	External interrupt 0 priority level.

Single-chip 8-bit microcontroller with CAN controller

P8xC591

21.2.5 INTERRUPT PRIORITY REGISTER 1 (IP1)

Logic 0 = low priority; logic 1 = high priority.

Table 101 Interrupt Priority Register 1 (address F8H)

7	6	5	4	3	2	1	0
PT2	PCAN	PCM1	PCM0	PCT3	PCT2	PCT1	PCT0

Table 102 Description of IP1 bits

BIT	SYMBOL	DESCRIPTION
7	PT2	T2 overflow interrupt(s) priority level.
6	PCAN	CAN interrupt priority level.
5	PCM1	T2 comparator 1 interrupt priority level.
4	PCM0	T2 comparator 0 interrupt priority level.
3	PCT3	T2 capture register 3 interrupt priority level.
2	PCT2	T2 capture register 2 interrupt priority level.
1	PCT1	T2 capture register 1 interrupt priority level.
0	PCT0	T2 capture register 0 interrupt priority level.

21.2.6 INTERRUPT PRIORITY REGISTER HIGH 1 (IP1H)

Logic 0 = low priority; logic 1 = high priority.

Table 103 Interrupt Priority Register High 1 (address F7H)

7	6	5	4	3	2	1	0
PT2	PCANH	PCM1H	PCM0H	PCT3H	PCT2H	PCT1H	PCT0H

Table 104 Description of IP1H bits

BIT	SYMBOL	DESCRIPTION
7	PT2	T2 overflow interrupt(s) priority level.
6	PCANH	CAN interrupt priority level high.
5	PCM1H	T2 comparator 1 interrupt priority level.
4	PCM0H	T2 comparator 0 interrupt priority level.
3	PCT3H	T2 capture register 3 interrupt priority level.
2	PCT2H	T2 capture register 2 interrupt priority level.
1	PCT1H	T2 capture register 1 interrupt priority level.
0	PCT0H	T2 capture register 0 interrupt priority level.

Single-chip 8-bit microcontroller with CAN controller

P8xC591

21.3 Interrupt priority

Table 105 Interrupt priority structure

SOURCE	SYMBOL	PRIORITY WITHIN LEVEL
External interrupt 0	X0	(highest)
SIO1 (I ² C)	S1	↑
ADC completion	ADC	
Timer 0 overflow	T0	
T2 capture 0	CT0	
T2 compare 0	CM0	
External interrupt 1	X1	
T2 capture 1	CT1	
T2 compare 1	CM1	
Timer 1 overflow	T1	
T2 capture 2	CT2	
CAN	CAN	
Serial I/O 0 (UART)	S0	
T2 compare 3	CT3	↓
Timer T2 overflow	T2	(lowest)

21.4 Interrupt Vectors

The vector indicates the Program Memory location where the appropriate interrupt service routine starts (see Table 106).

Table 106 Interrupt vector addresses

SOURCE	SYMBOL	VECTOR
External interrupt 0	X0	0003H
Timer 0 overflow	T0	000BH
External interrupt 1	X1	0013H
Timer 1 overflow	T1	001BH
Serial I/O 0 (UART)	S0	0023H
SIO1 (I ² C)	S1	002BH
T2 capture 0	CT0	0033H
T2 capture 1	CT1	003BH
T2 capture 2	CT2	0043H
T2 capture 3	CT3	004BH
ADC completion	ADC	0053H
T2 compare 0	CM0	005BH
T2 compare 1	CM1	0063H
CAN interrupt	CAN	006BH
T2 overflow	T2	0073H

Single-chip 8-bit microcontroller with CAN controller

P8xC591

22 INSTRUCTION SET

For the description of the **Data Addressing Modes** and **Hexadecimal opcode cross-reference** see Table 111.

Table 107 Instruction set description: Arithmetic operations

MNEMONIC	DESCRIPTION	BYTES	CYCLES	OPCODE (HEX)
Arithmetic operations				
ADD A,Rr	Add register to A	1	1	2*
ADD A,direct	Add direct byte to A	2	1	25
ADD A,@Ri	Add indirect RAM to A	1	1	26, 27
ADD A,#data	Add immediate data to A	2	1	24
ADDC A,Rr	Add register to A with carry flag	1	1	3*
ADDC A,direct	Add direct byte to A with carry flag	2	1	35
ADDC A,@Ri	Add indirect RAM to A with carry flag	1	1	36, 37
ADDC A,#data	Add immediate data to A with carry flag	2	1	34
SUBB A,Rr	Subtract register from A with borrow	1	1	9*
SUBB A,direct	Subtract direct byte from A with borrow	2	1	95
SUBB A,@Ri	Subtract indirect RAM from A with borrow	1	1	96, 97
SUBB A,#data	Subtract immediate data from A with borrow	2	1	94
INC A	Increment A	1	1	04
INC Rr	Increment register	1	1	0*
INC direct	Increment direct byte	2	1	05
INC @Ri	Increment indirect RAM	1	1	06, 07
DEC A	Decrement A	1	1	14
DEC Rr	Decrement register	1	1	1*
DEC direct	Decrement direct byte	2	1	15
DEC @Ri	Decrement indirect RAM	1	1	16, 17
INC DPTR	Increment data pointer	1	2	A3
MUL AB	Multiply A and B	1	4	A4
DIV AB	Divide A by B	1	4	84
DA A	Decimal adjust A	1	1	D4

Single-chip 8-bit microcontroller with CAN controller

P8xC591

Table 108 Instruction set description: Logic operations

MNEMONIC		DESCRIPTION	BYTES	CYCLES	OPCODE (HEX)
Logic operations					
ANL	A,Rr	AND register to A	1	1	5*
ANL	A,direct	AND direct byte to A	2	1	55
ANL	A,@Ri	AND indirect RAM to A	1	1	56, 57
ANL	A,#data	AND immediate data to A	2	1	54
ANL	direct,A	AND A to direct byte	2	1	52
ANL	direct,#data	AND immediate data to direct byte	3	2	53
ORL	A,Rr	OR register to A	1	1	4*
ORL	A,direct	OR direct byte to A	2	1	45
ORL	A,@Ri	OR indirect RAM to A	1	1	46, 47
ORL	A,#data	OR immediate data to A	2	1	44
ORL	direct,A	OR A to direct byte	2	1	42
ORL	direct,#data	OR immediate data to direct byte	3	2	43
XRL	A,Rr	Exclusive-OR register to A	1	1	6*
XRL	A,direct	Exclusive-OR direct byte to A	2	1	65
XRL	A,@Ri	Exclusive-OR indirect RAM to A	1	1	66, 67
XRL	A,#data	Exclusive-OR immediate data to A	2	1	64
XRL	direct,A	Exclusive-OR A to direct byte	2	1	62
XRL	direct,#data	Exclusive-OR immediate data to direct byte	3	2	63
CLR	A	Clear A	1	1	E4
CPL	A	Complement A	1	1	F4
RL	A	Rotate A left	1	1	23
RLC	A	Rotate A left through the carry flag	1	1	33
RR	A	Rotate A right	1	1	03
RRC	A	Rotate A right through the carry flag	1	1	13
SWAP	A	Swap nibbles within A	1	1	C4

Single-chip 8-bit microcontroller with CAN controller

P8xC591

Table 109 Instruction set description: Data transfer

MNEMONIC	DESCRIPTION	BYTES	CYCLES	OPCODE (HEX)
Data transfer				
MOV A,Rr	Move register to A	1	1	E*
MOV A,direct (Note 1)	Move direct byte to A	2	1	E5
MOV A,@Ri	Move indirect RAM to A	1	1	E6, E7
MOV A,#data	Move immediate data to A	2	1	74
MOV Rr,A	Move A to register	1	1	F*
MOV Rr,direct	Move direct byte to register	2	2	A*
MOV Rr,#data	Move immediate data to register	2	1	7*
MOV direct,A	Move A to direct byte	2	1	F5
MOV direct,Rr	Move register to direct byte	2	2	8*
MOV direct,direct	Move direct byte to direct	3	2	85
MOV direct,@Ri	Move indirect RAM to direct byte	2	2	86, 87
MOV direct,#data	Move immediate data to direct byte	3	2	75
MOV @Ri,A	Move A to indirect RAM	1	1	F6, F7
MOV @Ri,direct	Move direct byte to indirect RAM	2	2	A6, A7
MOV @Ri,#data	Move immediate data to indirect RAM	2	1	76, 77
MOV DPTR,#data 16	Load data pointer with a 16-bit constant	3	2	90
MOVC A,@A+DPTR	Move code byte relative to DPTR to A	1	2	93
MOVC A,@A+PC	Move code byte relative to PC to A	1	2	83
MOVX A,@Ri	Move external RAM (8-bit address) to A	1	2	E2, E3
MOVX A,@DPTR	Move external RAM (16-bit address) to A	1	2	E0
MOVX @Ri,A	Move A to external RAM (8-bit address)	1	2	F2, F3
MOVX @DPTR,A	Move A to external RAM (16-bit address)	1	2	F0
PUSH direct	Push direct byte onto stack	2	2	C0
POP direct	Pop direct byte from stack	2	2	D0
XCH A,Rr	Exchange register with A	1	1	C*
XCH A,direct	Exchange direct byte with A	2	1	C5
XCH A,@Ri	Exchange indirect RAM with A	1	1	C6, C7
XCHD A,@Ri	Exchange LOW-order digit indirect RAM with A	1	1	D6, D7

Note

- MOV A,ACC is not permitted.

Single-chip 8-bit microcontroller with CAN controller

P8xC591

Table 110 Instruction set description: Boolean variable manipulation, Program and machine control

MNEMONIC	DESCRIPTION	BYTES	CYCLES	OPCODE (HEX)
Boolean variable manipulation				
CLR C	Clear carry flag	1	1	C3
CLR bit	Clear direct bit	2	1	C2
SETB C	Set carry flag	1	1	D3
SETB bit	Set direct bit	2	1	D2
CPL C	Complement carry flag	1	1	B3
CPL bit	Complement direct bit	2	1	B2
ANL C,bit	AND direct bit to carry flag	2	2	82
ANL C,/bit	AND complement of direct bit to carry flag	2	2	B0
ORL C,bit	OR direct bit to carry flag	2	2	72
ORL C,/bit	OR complement of direct bit to carry flag	2	2	A0
MOV C,bit	Move direct bit to carry flag	2	1	A2
MOV bit,C	Move carry flag to direct bit	2	2	92
Program and machine control				
ACALL addr11	Absolute subroutine call	2	2	•1
LCALL addr16	Long subroutine call	3	2	12
RET	Return from subroutine	1	2	22
RETI	Return from interrupt	1	2	32
AJMP addr11	Absolute jump	2	2	♦1
LJMP addr16	Long jump	3	2	02
SJMP rel	Short jump (relative address)	2	2	80
JMP @A+DPTR	Jump indirect relative to the DPTR	1	2	73
JZ rel	Jump if A is zero	2	2	60
JNZ rel	Jump if A is not zero	2	2	70
JC rel	Jump if carry flag is set	2	2	40
JNC rel	Jump if carry flag is not set	2	2	50
JB bit,rel	Jump if direct bit is set	3	2	20
JNB bit,rel	Jump if direct bit is not set	3	2	30
JBC bit,rel	Jump if direct bit is set and clear bit	3	2	10
CJNE A,direct,rel	Compare direct to A and jump if not equal	3	2	B5
CJNE A,#data,rel	Compare immediate to A and jump if not equal	3	2	B4
CJNE Rr,#data,rel	Compare immediate to register and jump if not equal	3	2	B*
CJNE @Ri,#data,rel	Compare immediate to indirect and jump if not equal	3	2	B6, B7
DJNZ Rr,rel	Decrement register and jump if not zero	2	2	D*
DJNZ direct,rel	Decrement direct and jump if not zero	3	2	D5
NOP	No operation	1	1	00

Single-chip 8-bit microcontroller with CAN controller

P8xC591

Table 111 Description of the mnemonics in the Instruction set

MNEMONIC	DESCRIPTION
Data addressing modes	
Rr	Working register R0-R7.
direct	128 internal RAM locations and any special function register (SFR).
@Ri	Indirect internal RAM location addressed by register R0 or R1 of the actual register bank.
#data	8-bit constant included in instruction.
#data 16	16-bit constant included as bytes 2 and 3 of instruction.
bit	Direct addressed bit in internal RAM or SFR.
addr16	16-bit destination address. Used by LCALL and LJMP. The branch will be anywhere within the 64 kbytes Program Memory address space.
addr11	11-bit destination address. Used by ACALL and AJMP. The branch will be within the same 2 kbytes page of Program Memory as the first byte of the following instruction.
rel	Signed (two's complement) 8-bit offset byte. Used by SJMP and all conditional jumps. Range is -128 to +127 bytes relative to first byte of the following instruction.
Hexadecimal opcode cross-reference	
*	8, 9, A, B, C, D, E, F.
•	1, 3, 5, 7, 9, B, D, F.
♦	0, 2, 4, 6, 8, A, C, E.

22.1 Addressing Modes

Most instructions have a 'destination, source' field that specifies the data type, addressing modes and operands involved. For all these instructions, except for MOVs, the destination operand is also the source operand (e.g. ADD A,R7).

There are five kinds of addressing modes:

- Register Addressing
 - R0 - R7 (4 banks)
 - A,B,C (bit), AB (2 bytes), DPTR (double byte)
- Direct Addressing
 - lower 128 bytes of internal Main RAM (including the 4 R0-R7 register banks)
 - Special Function Registers
 - 128 bits in a subset of the internal Main RAM
 - 128 bits in a subset of the Special Function Registers
- Register-Indirect Addressing
 - internal Main RAM (@R0, @R1, @SP [PUSH/POP])
 - internal Auxiliary RAM (@R0, @R1, @DPTR)
 - external Data Memory (@R0, @R1, @DPTR)

- Immediate Addressing
 - Program Memory (in-code 8 bit or 16 bit constant)
- Base-Register-plus-Index-Register-Indirect Addressing
 - Program Memory look-up table (@DPTR+A, @PC+A)

The first three addressing modes are usable for destination operands.

Single-chip 8-bit microcontroller with CAN controller

P8xC591

23 LIMITING VALUES

In accordance with the Absolute Maximum Rating System (IEC 134); Note 1

SYMBOL	PARAMETER	MIN.	MAX.	UNIT
V_{DD}	Voltage on V_{DD} to V_{SS} and SCL, SDA to V_{SS}	-0.5	+6.5	V
V_I	Input voltage on any other pin to V_{SS}	-0.5	$V_{DD} + 0.5$	V
I_I, I_O	Input/output current on any I/O pin	-	5	mA
P_{tot}	Total power dissipation (Note 2)	-	1.0	W
T_{stg}	Storage temperature range	-65	+150	°C
T_{amb}	Operating ambient temperature range: P8xC591SFx	-40	+85	°C
V_{PP}	Voltage on \overline{EA}/V_{PP} to V_{SS}	-0.5	+13	V

Notes

1. The following applies to the Absolute Maximum Ratings:
 - a) Stresses above those listed under Absolute Maximum Ratings may cause permanent damage to the device. This is a stress rating only and functional operation of the device at these or any conditions other than those described in the Chapters 24 and 25 of this specification is not implied.
 - b) This product includes circuitry specifically designed for the protection of its internal devices from the damaging effect of excessive static charge. However, it is suggested that conventional precautions be taken to avoid applying greater than the rated maxima.
 - c) Parameters are valid over operating temperature range unless otherwise specified. All voltages are with respect to V_{SS} unless otherwise noted.
2. This value is based on the maximum allowable die temperature and the thermal resistance of the package, not on device power consumption.

Single-chip 8-bit microcontroller with CAN controller

P8xC591

24 DC CHARACTERISTICS (VALUES IN THIS TABLE NOT CONFIRMED)

$V_{DD} = 5\text{ V} \pm 10\%$; $V_{SS} = 0\text{ V}$; all voltages with respect to V_{SS} unless otherwise specified;

$T_{amb} = -40$ to $+85\text{ }^\circ\text{C}$ for the **P8xC591SFx**; $V_{DD} = 5\text{ V} \pm 10\%$; $V_{SS} = 0\text{ V}$; $AV_{SS} = 0\text{ V}$.

SYMBOL	PARAMETER	CONDITIONS	MIN.	MAX.	UNIT
Supply					
I_{DD}	operating supply current	$t_{CLK} = 16\text{ MHz}$; see Notes 2 and 3		45	mA
I_{ID}	supply current Idle mode	$t_{CLK} = 16\text{ MHz}$ see Notes 2 and 4	–	25	mA
I_{PD}	supply current Power-down mode	$2\text{ V} < V_{PD} < V_{DD}$; see Notes 2 and 5		100	μA
Inputs					
V_{IL}	LOW level input voltage (except P1.0, P1.1, P1.6, P1.7)		-0.5	$0.2 V_{DD} - 0.1$	V
V_{IL1}	LOW level input voltage \overline{EA}		-0.5	$0.2 V_{DD} - 0.3$	V
V_{IL2}	LOW level input voltage P1.0 and P1.1			$0.2 V_{DD}$	V
V_{IL3}	LOW level input voltage P1.6 and P1.7	see Note 6	-0.5	$0.3 V_{DD}$	V
V_{IH}	HIGH level input voltage (except P1.0, P1.1, P1.6, P1.7, XTAL1, RST)		$0.2 V_{DD} + 0.9$	$V_{DD} + 0.5$	V
V_{IH1}	HIGH level input voltage XTAL1, \overline{RST}		$0.7 V_{DD}$	$V_{DD} + 0.5$	V
V_{IH2}	HIGH level input voltage P1.6 and P1.7	see Note 6	$0.7 V_{DD}$	6	V
V_{IH3}	HIGH level input voltage P1.0 and P1.1		$0.8 V_{DD}$	V_{DD}	V
I_{IL}	LOW level input current Ports 1, 2, and 3 in pseudo-bidirectional output mode (except P1.6, P1.7)	$V_{IN} = 0.45\text{ V}$	-1	-50	μA
I_{TL}	input current HIGH-to-LOW transition Ports 1, 2, 3 in pseudo-bidirectional output mode (except P1.6, P1.7)			-650	μA
I_{IL1}	input leakage current, Ports 0, 2, 3 and P1.0, P1.1 in high impedance configurations	$0.45\text{ V} < V_{IN} < V_{DD}$		± 10	μA
I_{IL2}	input leakage current, Port 1 (except P1.0, P1.1)	$0.45\text{ V} < V_{IN} < V_{DD}$		1	μA

Single-chip 8-bit microcontroller with CAN controller

P8xC591

SYMBOL	PARAMETER	CONDITIONS	MIN.	MAX.	UNIT
Outputs					
V _{OL}	LOW level output voltage Ports 1, 2, 3 (except P1.0, P1.6, P1.7)	I _{OL} = 1.6 mA; see Note 8		0.4	V
V _{OL1}	LOW level output voltage Port 0, ALE, $\overline{\text{PSEN}}$, $\overline{\text{RST}}$, PWM0, PWM1	I _{OL} = 3.2; see Note 8		0.4	V
V _{OL2}	LOW level output voltage P1.6, P1.7	I _{OL} = 3.0 mA; see Note 8	–	0.4	V
V _{OL3}	LOW level output voltage P1.0 and P1.1	I _{OL} = 8.0 mA	–	0.3 V _{DD}	V
V _{OH}	HIGH level output voltage Ports 1, 2, 3 in pseudo-bidirectional output mode (except P1.1, P1.6 and P1.7)	I _{OH} = -60 μ A	2.4		V
V _{OH1}	HIGH level output voltage Port 0 and Port 2 in external bus mode, Port 2 in push-pull mode, ALE, $\overline{\text{PSEN}}$, PWM0, PWM1	I _{OH} = -3.2 mA; see Note 9	V _{DD} - 0.7		V
V _{OH2}	HIGH level output voltage, P1.0 and P1.1	I _{OH} = -1.6 mA	0.7 V _{DD}		V
V _{OH3}	HIGH level output voltage, Ports 1, 2, 3 in push-pull output mode (except P1.0, P1.1, P1.6, P1.7)	I _{OH} = -1.6 mA	V _{DD} - 0.7		V
R $\overline{\text{RST}}$	$\overline{\text{RST}}$ pull-up resistor		40	225	k Ω
C _{I/O}	I/O pin capacitance	test frequency = 1 MHz; T _{amb} = 25 °C	–	15	pF
Analog inputs					
AV _{IN}	analog input voltage		AV _{SS} - 0.2	V _{DD} + 0.2	V
AV _{ref+}	reference voltage		–	V _{DD} + 0.2	V
R _{REF}	resistance between AV _{ref+} and AV _{SS}		10	50	k Ω
C _{IA}	analog input capacitance		–	15	pF
t _{ADS}	sampling time		–	5 tcy; Note 1 8 tcy	μ s μ s
t _{ADC}	conversion time (including sampling time)		–	24 tcy; Note 1 50 tcy	μ s μ s
DL _e	differential non-linearity	see Notes 10, 11, 12	–	\pm 1	LSB
IL _{e8}	integral non-linearity (8-bit mode)		–	\pm 1; Note 1	LSB
IL _e	integral non-linearity	see Notes 10, 13	–	\pm 2	LSB
OS _{e8}	offset error (8-bit mode)		–	\pm 1; Note 1	LSB
OS _e	offset error	see Notes 10, 15	–	\pm 2	LSB
G _e	gain error		–	\pm 0.4	%
A _e	absolute voltage error	see Notes 10, 16	–	\pm 3	LSB
M _{ctc}	channel-to-channel matching		–	\pm 1	LSB
C _t	crosstalk between analog inputs of Port 1	0 to 100 kHz; see Notes 17, 18	–	-60	dB

Single-chip 8-bit microcontroller with CAN controller

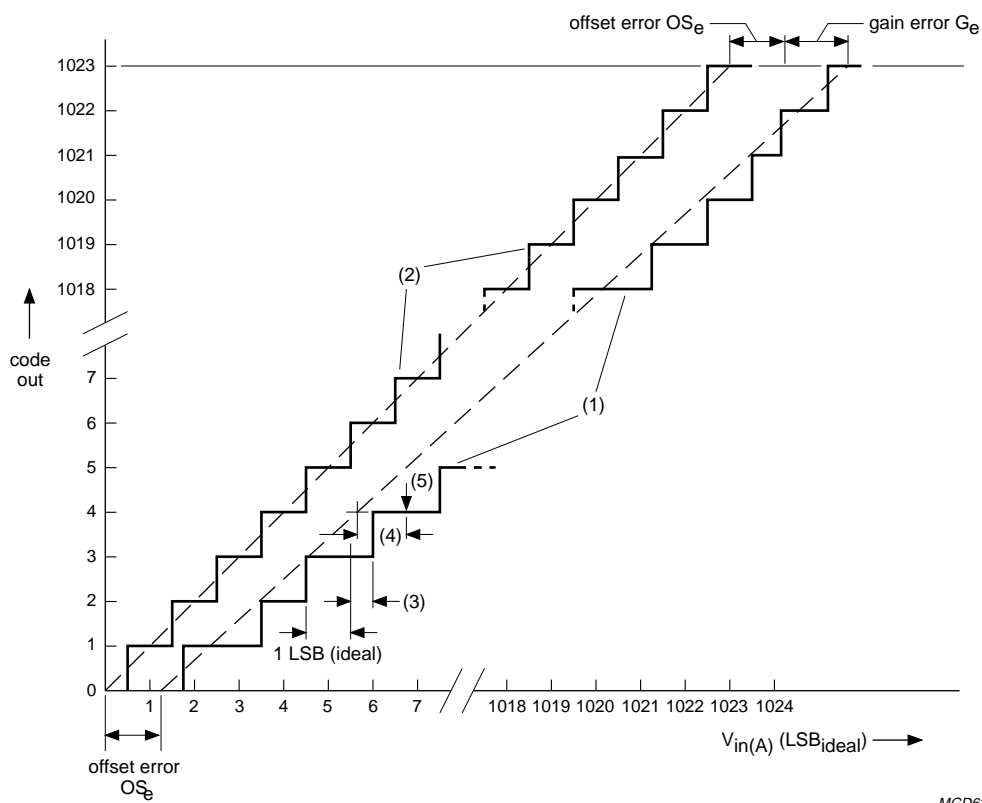
P8xC591

Notes to the DC characteristics

1. 8-bit mode
2. See Figures 62 through 66 for I_{DD} test conditions.
3. The operating supply current is measured with all output pins disconnected; XTAL1 driven with $t_r = t_f = 10$ ns; $V_{IL} = V_{SS} + 0.5$ V; $V_{IH} = V_{DD} - 0.5$ V; XTAL2 not connected; $\overline{EA} = \overline{RST} = \text{Port 0} = V_{DD}$.
4. The Idle mode supply current is measured with all output pins disconnected; XTAL1 driven with $t_r = t_f = 10$ ns; $V_{IL} = V_{SS} + 0.5$ V; $V_{IH} = V_{DD} - 0.5$ V; XTAL2 not connected; Port 0 = V_{DD} ; $\overline{EA} = \overline{RST} = V_{SS}$.
5. The Power-down current is measured with all output pins disconnected; XTAL2 not connected; Port 0 = V_{DD} ; $\overline{EA} = \overline{RST} = \text{XTAL1} = V_{SS}$.
6. The input threshold voltage of P1.6 and P1.7 (SIO1) meets the I²C specification, so an input voltage below 1.5 V will be recognized as a logic 0 while an input voltage above 3.0 V will be recognized as a logic 1.
7. Pins of Port 1 (except P1.6, P1.7), 2 and 3 source a transition current when they are being externally driven from HIGH to LOW. The transition current reaches its maximum value when V_{IN} is approximately 2 V.
8. Capacitive loading on Ports 0 and 2 may cause spurious noise to be superimposed on the V_{OL} of ALE and Ports 1 and 3. The noise is due to external bus capacitance discharging into the Port 0 and Port 2 pins when these pins make HIGH-to-LOW transitions during bus operations. In the worst cases (capacitive loading > 100pF), the noise pulse on the ALE pin may exceed 0.8 V. In such cases, it may be desirable to qualify ALE with a Schmitt Trigger, or use an address latch with a Schmitt Trigger STROBE input. I_{OL} can exceed these conditions provided that no single outputs sinks more than 5 mA and no more than two outputs exceed in the test conditions.
9. Capacitive loading on Ports 0 and 2 may cause the V_{OH} on ALE and \overline{PSEN} to momentarily fall below the 0.9 V_{DD} specification when the address bits are stabilizing.
10. Conditions: $AV_{SS} = 0$ V; $V_{DD} = 5.0$ V. Measurement by continuous conversion of $AV_{IN} = -20$ mV to 5.12 V in steps of 0.5 mV, derivating parameters from collected conversion results of ADC. AV_{REF+} (P8xC591) = 4.977 V, ADC is monotonic with not missing codes.
11. The differential non-linearity (D_{Le}) is the difference between the actual step width and the ideal step width (see Fig.54).
12. The ADC is monotonic; there are no missing codes.
13. The integral non-linearity (I_{Le}) is the peak difference between the centre of the steps of the actual and the ideal transfer curve after appropriate adjustment of gain and offset error (see Fig.54).
14. The offset error (OS_e) is the absolute difference between the straight line which fits the actual transfer curve (after removing gain error), and a straight line which fits the ideal transfer curve (see Fig.54).
15. The gain error (G_e) is the relative difference in percent between the straight line fitting the actual transfer curve (after removing offset error), and the straight line which fits the ideal transfer curve. Gain error is constant at every point on the transfer curve (see Fig.54).
16. The absolute voltage error (A_e) is the maximum difference between the centre of the steps of the actual transfer curve of the non-calibrated ADC and the ideal transfer curve.
17. This should be considered when both analog and digital signals are simultaneously input to Port 1.
18. The parameter is guaranteed by design and characterized, but is not production tested.

Single-chip 8-bit microcontroller with CAN controller

P8xC591



$$[1\text{LSB}_{\text{ideal}} = \frac{AV_{\text{REF+}}}{1024}]$$

- (1) Example of an actual transfer curve.
- (2) The ideal transfer curve.
- (3) Differential non-linearity (DL_e).
- (4) Integral non-linearity (IL_e).
- (5) Centre of a step of the actual transfer curve.

Fig.54 ADC conversion characteristic.

Single-chip 8-bit microcontroller with CAN controller

P8xC591

25 AC CHARACTERISTICS

$V_{DD} = 5\text{ V} \pm 10\%$; $V_{SS} = 0\text{ V}$; $T_{amb} = -40\text{ }^{\circ}\text{C}$ to $+85\text{ }^{\circ}\text{C}$; $C_L = 100\text{ pF}$ for Port 0, ALE and $\overline{\text{PSEN}}$; $C_L = 80\text{ pF}$ for all other outputs unless otherwise specified.

SYMBOL	PARAMETER	16 MHz CLOCK		VARIABLE CLOCK		UNIT
		MIN.	MAX.	MIN.	MAX.	
External Program Memory; see Fig.55						
$1/f_{CLK}$	System clock frequency; see Note 1			3.5	16	MHz
t_{LHLL}	ALE pulse width	22	–	$0.5 t_{CLK} - 25$	–	ns
t_{AVLL}	address valid to ALE LOW	6	–	$0.5 t_{CLK} - 25$	–	ns
t_{LLAX}	address hold after ALE LOW	6	–	$0.5 t_{CLK} - 25$	–	ns
t_{LLIV}	ALE LOW to valid instruction in	–	60	–	$2 t_{CLK} - 65$	ns
t_{LLPL}	ALE LOW to $\overline{\text{PSEN}}$ LOW	6	–	$0.5 t_{CLK} - 25$	–	ns
t_{PLPH}	$\overline{\text{PSEN}}$ pulse width	48	–	$1.5 t_{CLK} - 45$	–	ns
t_{PLIV}	$\overline{\text{PSEN}}$ LOW to valid instruction in	–	33	–	$1.5 t_{CLK} - 60$	ns
t_{PXIX}	input instruction hold after $\overline{\text{PSEN}}$	0	–	0	–	ns
t_{PXIZ}	input instruction float after $\overline{\text{PSEN}}$	–	6	–	$0.5 t_{CLK} - 25$	ns
t_{AVIV}	address to valid instruction in	–	76	–	$2.5 t_{CLK} - 80$	ns
t_{PLAZ}	$\overline{\text{PSEN}}$ LOW to address float	–	10	–	10	ns
External Data Memory; see Fig.56 and Fig.57						
t_{RLRH}	$\overline{\text{RD}}$ pulse width	87	–	$3 t_{CLK} - 100$	–	ns
t_{WLWH}	$\overline{\text{WR}}$ pulse width	87	–	$3 t_{CLK} - 100$	–	ns
t_{RLDV}	$\overline{\text{RD}}$ LOW to valid data in	–	66	–	$2.5 t_{CLK} - 90$	ns
t_{RHDX}	data hold after $\overline{\text{RD}}$	0	–	0	–	ns
t_{RHDZ}	data float after $\overline{\text{RD}}$	–	34	–	$2 t_{CLK} - 28$	ns
t_{LLDV}	ALE LOW to valid data in	–	100	–	$4 t_{CLK} - 150$	ns
t_{AVDV}	address to valid data in	–	116	–	$4.5 t_{CLK} - 165$	ns
t_{LLWL}	ALE LOW to $\overline{\text{RD}}$ or $\overline{\text{WR}}$ LOW	43	143	$1.5 t_{CLK} - 50$	$1.5 t_{CLK} + 50$	ns
t_{AVWL}	address valid to $\overline{\text{RD}}$ or $\overline{\text{WR}}$ LOW	50	–	$2 t_{CLK} - 75$	–	ns
t_{QVWX}	data valid to $\overline{\text{WR}}$ transition	0	–	$0.5 t_{CLK} - 30$	–	ns
t_{WHQX}	data hold after $\overline{\text{WR}}$	6	–	$0.5 t_{CLK} - 25$	–	ns
t_{QVWH}	data valid time $\overline{\text{WR}}$ HIGH	88	–	$3.5 t_{CLK} - 130$	–	ns
t_{RLAZ}	$\overline{\text{RD}}$ LOW to address float	–	0	–	0	ns
t_{WHLH}	$\overline{\text{RD}}$ or $\overline{\text{WR}}$ HIGH to ALE HIGH	6	56	$0.5 t_{CLK} - 25$	$0.5 t_{CLK} + 25$	ns
External Clock; see Fig.65						
t_{CHCX}	high time	$t_{CLK} \times 0.4$	$t_{CLK} \times 0.6$	$t_{CLK} \times 0.4$	$t_{CLK} \times 0.6$	ns
t_{CLCX}	low time	$t_{CLK} \times 0.4$	$t_{CLK} \times 0.6$	$t_{CLK} \times 0.4$	$t_{CLK} \times 0.6$	ns
t_{CLCH}	rise time	–	20	–	20	ns
t_{CHCL}	fall time	–	20	–	20	ns

Single-chip 8-bit microcontroller with CAN controller

P8xC591

SYMBOL	PARAMETER	16 MHz CLOCK		VARIABLE CLOCK		UNIT
		MIN.	MAX.	MIN.	MAX.	
UART Timing - Shift Register Mode; see Fig.59						
t _{XLXL}	serial port clock cycle time	375	–	6 t _{CLK}	–	ns
t _{QVXH}	output data setup to clock rising edge	180	–	5 t _{CLK} – 133	–	ns
t _{XHQX}	output data hold after clock rising edge	50	–	t _{CLK} –10	–	ns
t _{XHDX}	input data hold after clock rising edge	0	–	0	–	ns
t _{XHDV}	clock rising edge to input data valid	–	176	–	5 t _{CLK} –133	ns

Note

1. Parts a guaranteed to operate down to 0 Hz.

Table 112 I²C-bus interface timing

All values referred to V_{IH(min)} and V_{IL(max)} levels; see Fig.61.

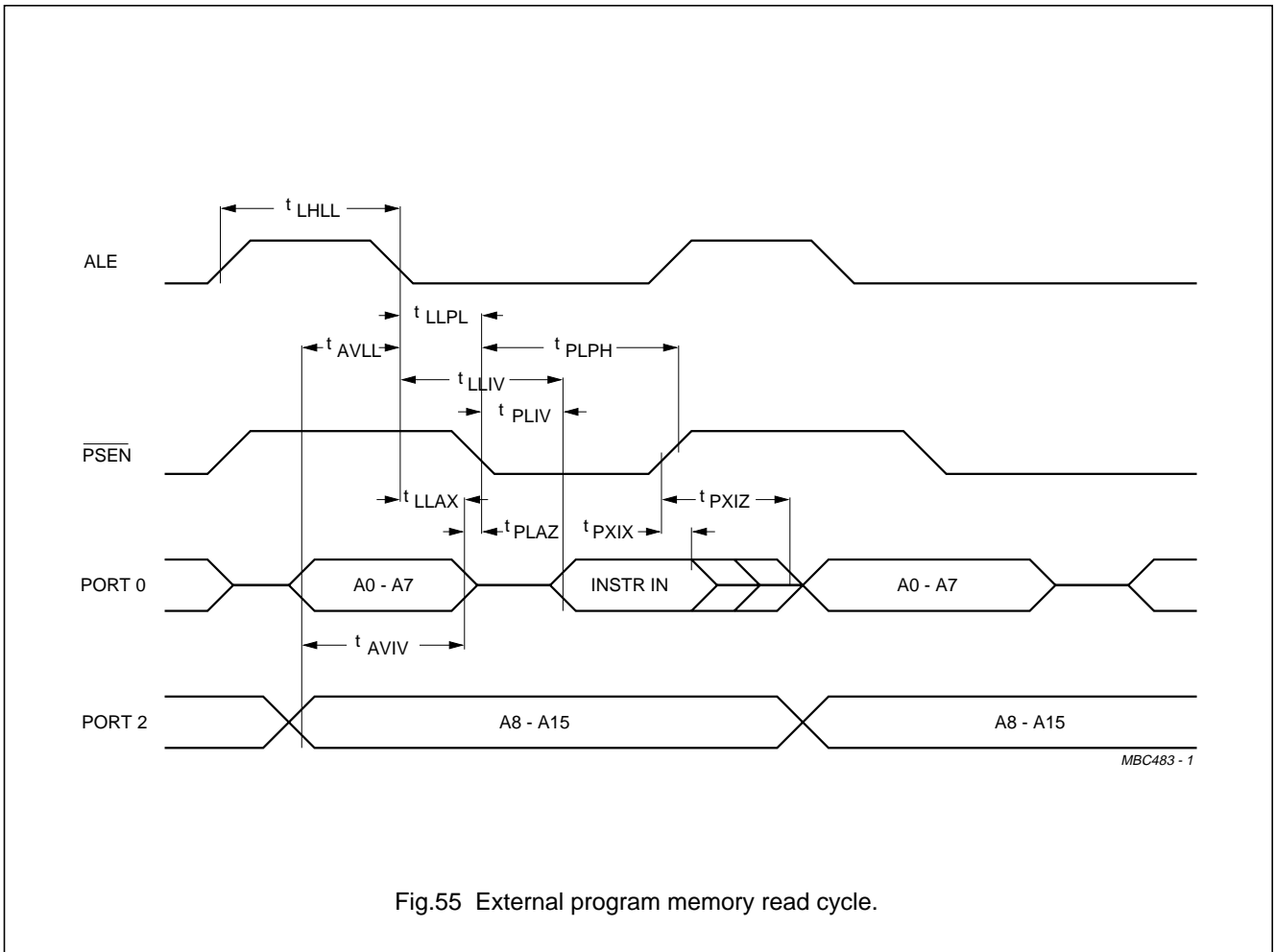
SYMBOL	PARAMETER	I ² C-BUS	
		INPUT	OUTPUT
t _{HD;STA}	START condition hold time	≥14 t _{CLK}	> 4.0 μs ⁽¹⁾
t _{LOW}	LOW period of the SCL clock	≥16 t _{CLK}	> 4.7 μs ⁽¹⁾
t _{HIGH}	HIGH period of the SCL clock	≥14 t _{CLK}	> 4.0 μs ⁽¹⁾
t _{RC}	rise time of SCL signals	≤ 1 μs	– ⁽²⁾
t _{FC}	fall time of SCL signals	≤ 0.3 μs	< 3.0 μs ⁽³⁾
t _{SU;DAT1}	data set-up time	≥ 250 ns	> 20 t _{CLK} – t _{RD}
t _{SU;DAT2}	SDA set-up time (before repeated START condition)	≥ 250 ns	> 1 μs ⁽¹⁾
t _{SU;DAT3}	SDA set-up time (before STOP condition)	≥ 250 ns	> 8 t _{CLK}
t _{HD;DAT}	data hold time	≥ 0 ns	> 8 t _{CLK} – t _{FC}
t _{SU;STA}	set-up time for a repeated START condition	≥ 14 t _{CLK}	> 4.7 μs ⁽¹⁾
t _{SU;STO}	set-up time for STOP condition	≥ 14 t _{CLK}	> 4.0 μs ⁽¹⁾
t _{BUF}	bus free time between	≥ 14 t _{CLK}	> 4.7 μs ⁽¹⁾
t _{RD}	rise time of SDA signals	≤ 1 μs	– ⁽²⁾
t _{FD}	fall time of SDA signals	≤ 0.3 μs	< 0.3 μs ⁽³⁾

Notes

1. At 100 kbit/s. At other bit rates this value is inversely proportional to the bit-rate of 100 kbit/s.
2. Determined by the external bus-line capacitance and the external bus-line pull-resistor, this must be < 1 μs.
3. Spikes on the SDA and SCL lines with a duration of less than 3 t_{CLK} will be filtered out. Maximum capacitance on bus-lines SDA and SCL = 400 pF.
4. t_{CLK} = 1/f_{CLK} = one oscillator clock period at pin XTAL1. For 62 ns < t_{CLK} < 285 ns (8 MHz > f_{CLK} > 3.5 MHz) the SI01 interface meets the I²C-bus specification for bit-rates up to 100 kbit/s.
5. These values are guaranteed but not 100% production tested.

Single-chip 8-bit microcontroller with CAN controller

P8xC591



Single-chip 8-bit microcontroller with CAN controller

P8xC591

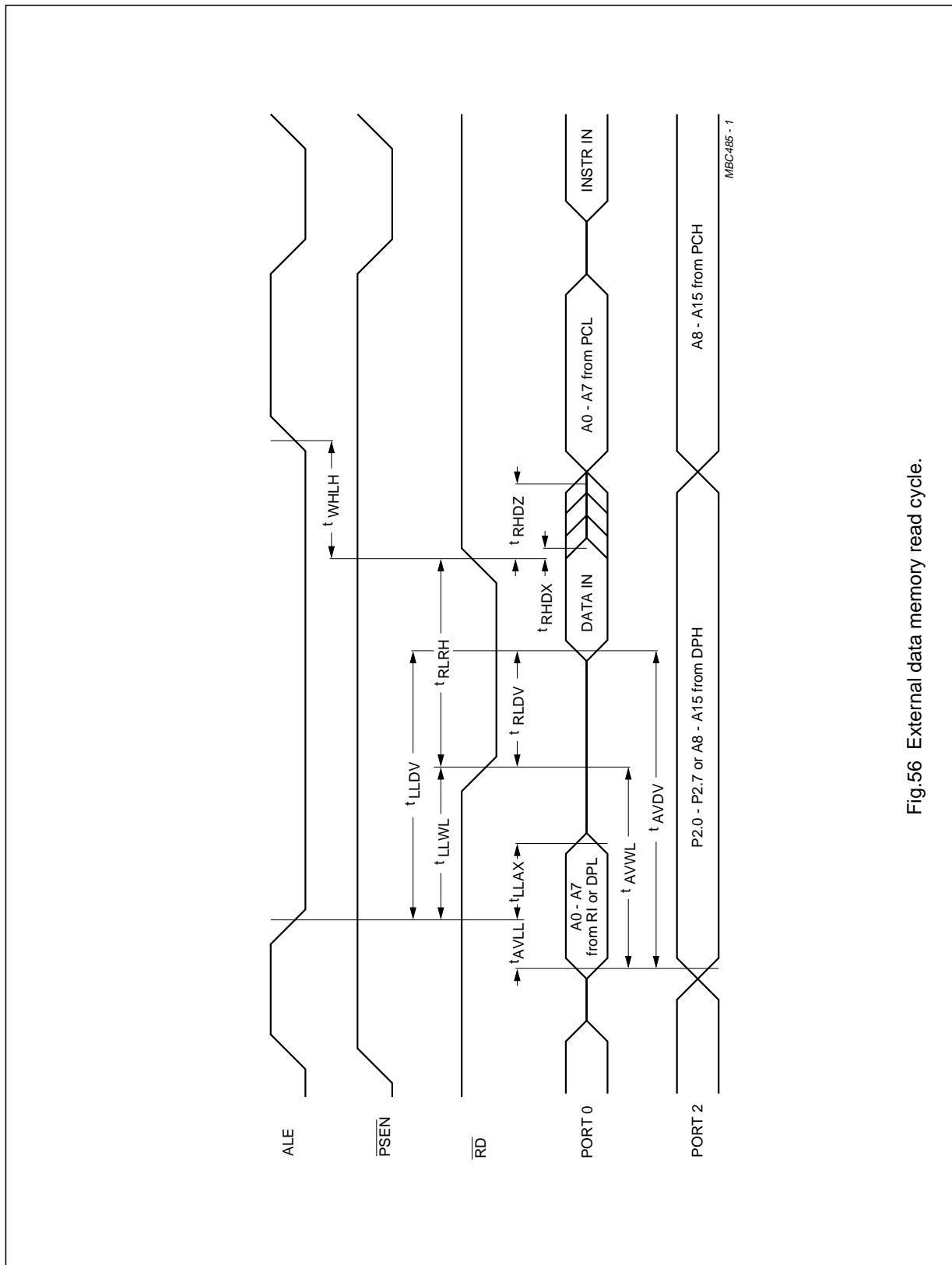


Fig.56 External data memory read cycle.

Single-chip 8-bit microcontroller with CAN controller

P8xC591

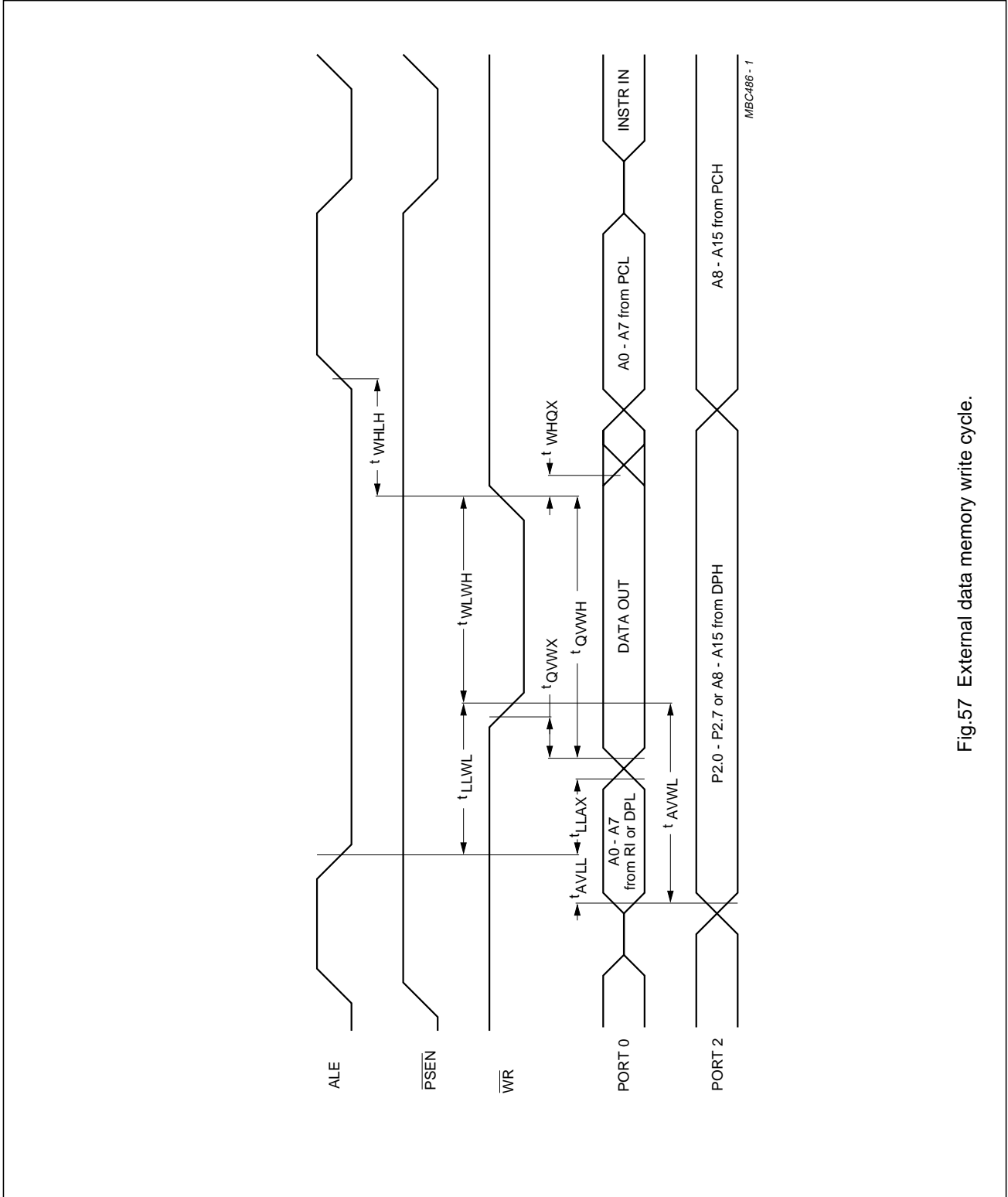


Fig.57 External data memory write cycle.

Single-chip 8-bit microcontroller with CAN controller

P8xC591

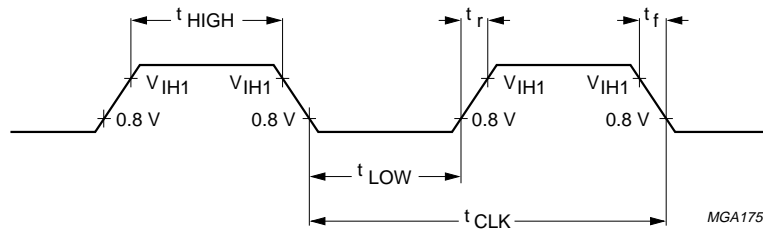


Fig.58 External clock drive XTAL1.

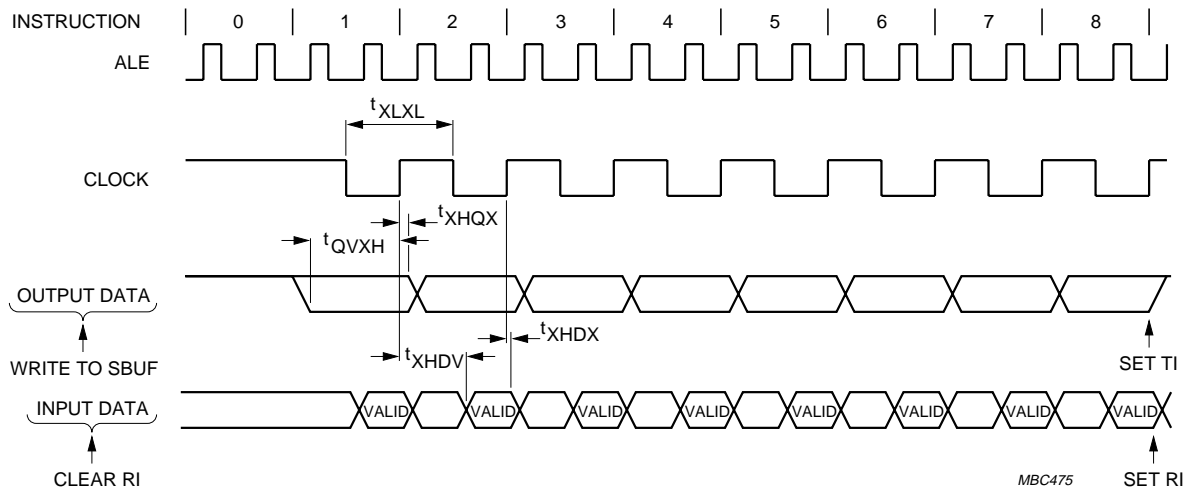
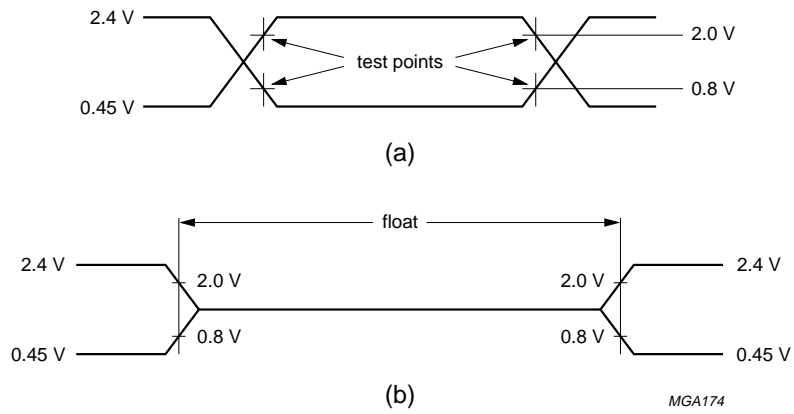


Fig.59 Shift register mode timing waveforms.

Single-chip 8-bit microcontroller with CAN controller

P8xC591



AC testing inputs are driven at 2.4 V for a HIGH and 0.45 V for a LOW.

Timing measurements are taken at 2.0 V for a HIGH and 0.8 V for a LOW, see Fig.60 (a).

The float state is defined as the point at which a Port 0 pin sinks 3.2 mA or sources 400 μ A at the voltage test levels, see Fig.60 (b).

Fig.60 AC testing input, output waveform (a) and float waveform (b).

Single-chip 8-bit microcontroller with CAN controller

P8xC591

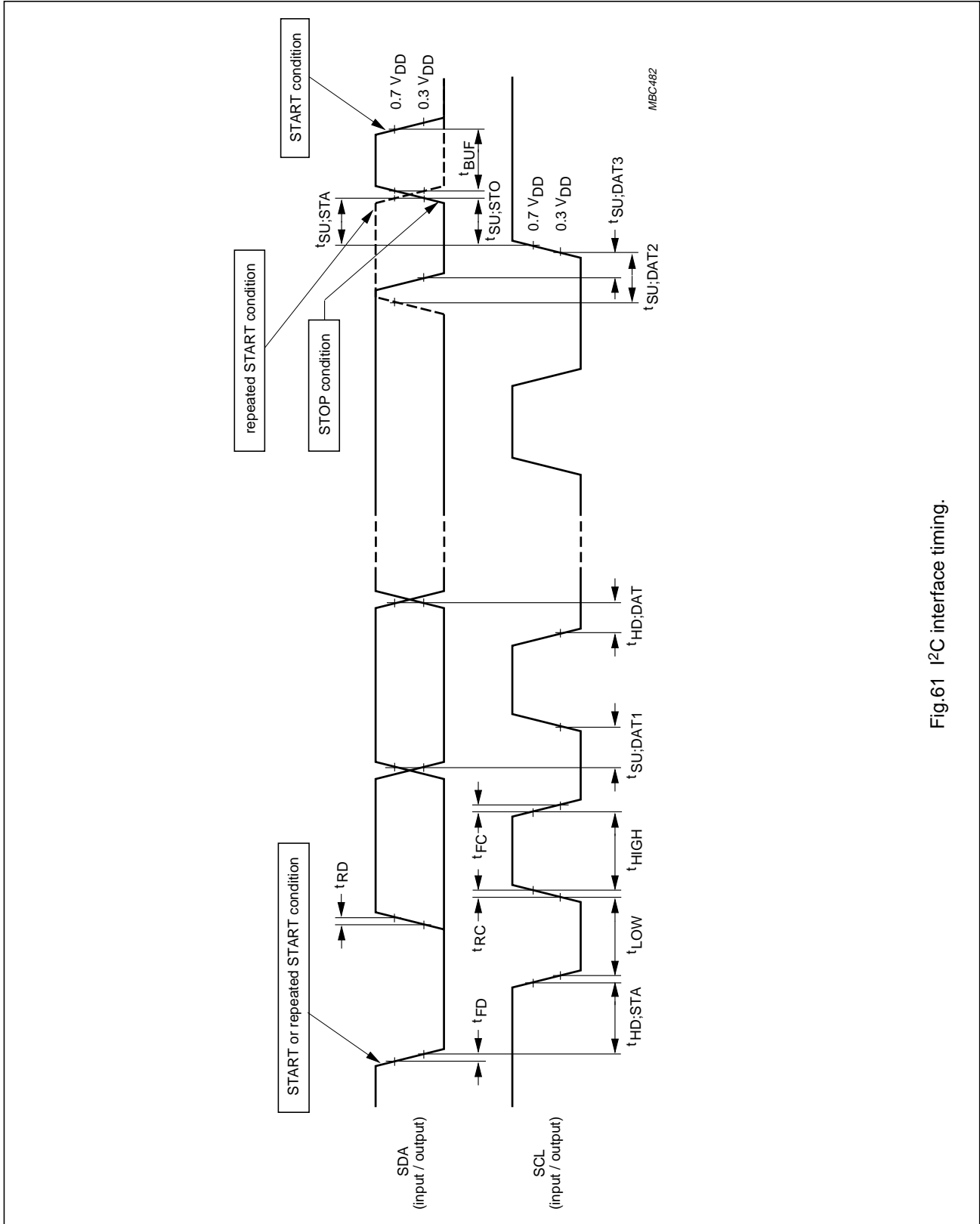


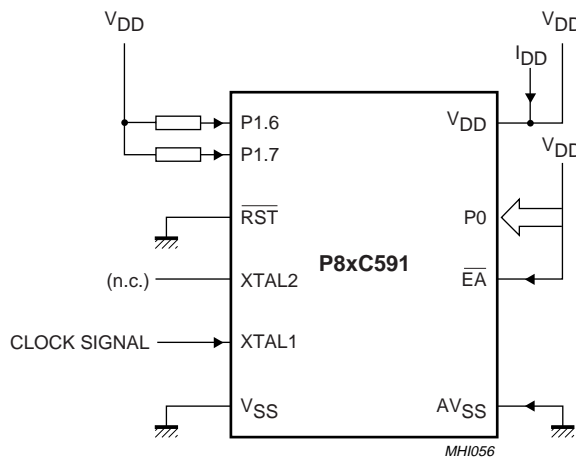
Fig.61 I²C interface timing.

Single-chip 8-bit microcontroller with CAN controller

P8xC591

FIGURE IS IN PREPARATION !

Fig.62 I_{DD} as a function of frequency.



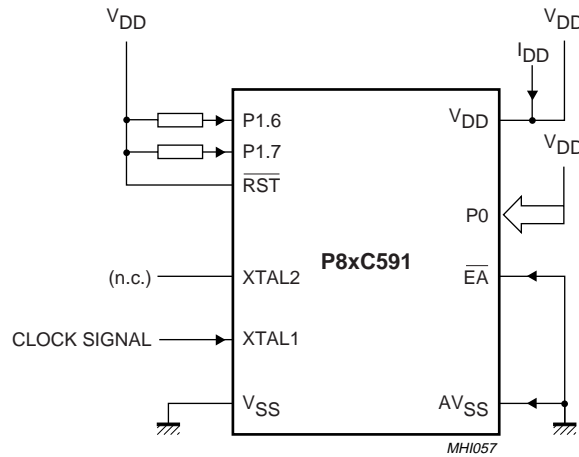
All other pins are disconnected.

- (1) The following pins must be forced to V_{DD} : \overline{EA} and Port 0.
- (2) The following pins must be forced to V_{SS} : AV_{SS} and \overline{RST} .
- (3) Port 1.6 and 1.7 should be connected to V_{DD} through resistors of sufficiently high value such that the sink current into these pins cannot exceed the I_{OL1} spec of the pins.
- (4) The following pins must be disconnected: XTAL2 and all pins not specified above.

Fig.63 I_{DD} Test Conditions, Active Mode.

Single-chip 8-bit microcontroller with CAN controller

P8xC591



All other pins are disconnected.

- (1) The following pins must be forced to V_{DD} : Port 0 and \overline{RST} .
- (2) The following pins must be forced to V_{SS} : AV_{SS} and \overline{EA} .
- (3) Port 1.6 and 1.7 should be connected to V_{DD} through resistors of sufficiently high value such that the sink current into these pins cannot exceed the I_{OL1} spec of the pins. These pins must not have logic 0 written to them prior to this measurement.
- (4) The following pins must be disconnected: XTAL2 and all pins not specified above.

Fig.64 I_{DD} Test Condition, Idle Mode.

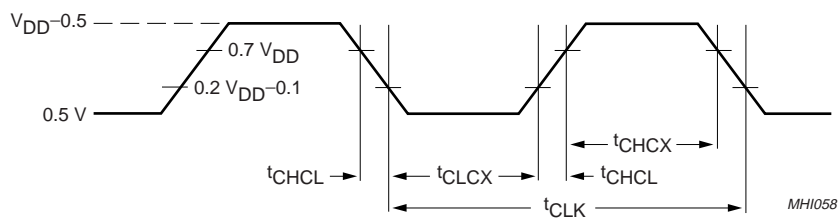
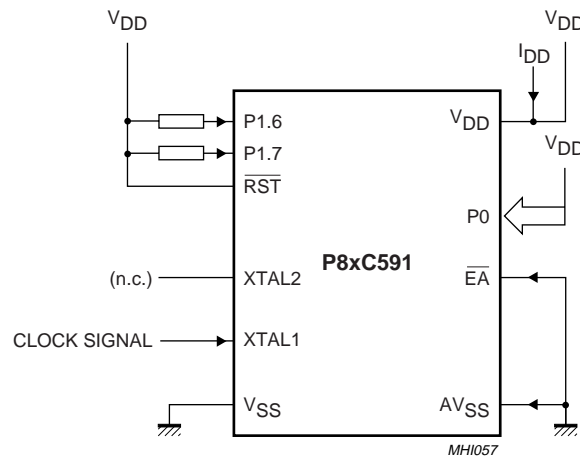


Fig.65 Clock Signal Waveform for I_{DD} Tests in Active and Idle Modes $t_{CLCH} = t_{CHCL} = 10$ ns.

Single-chip 8-bit microcontroller with CAN controller

P8xC591



All other pins are disconnected. $V_{DD} = 2\text{ V to } 5.5\text{ V}$

- (1) The following pins must be forced to V_{DD} : Port 0 and \overline{RST} .
- (2) The following pins must be forced to V_{SS} : AV_{SS} and \overline{EA} .
- (3) Port 1.6 and 1.7 should be connected to V_{DD} through resistors of sufficiently high value such that the sink current into these pins cannot exceed the I_{OL1} spec of the pins. These pins must not have logic 0 written to them prior to this measurement.
- (4) The following pins must be disconnected: XTAL2 and all pins not specified above.

Fig.66 I_{DD} Test Condition, Power-down Mode.

Single-chip 8-bit microcontroller with CAN controller

P8xC591

25.1 Timing symbol definitions

Oscillator:

f_{CLK} = clock frequency

t_{CLK} = clock period

Timing symbols (acronyms):

Each timing symbol has five characters. The first character is always a 't' (= time). the remaining four characters of the symbol (typed in subscript), depending on their relative positions, indicate the name of a signal or the logical status of that signal. the designations are as follows:

A = address

C = clock

D = input data

H = logic level HIGH

I = instruction (program memory contents)

L = Logic level LOW or ALE

P = \overline{PSEN}

Q = output data

R = \overline{RD} signal

t = time

V = valid

W = \overline{WR} signal

X = no longer a valid logic level

Z = float

Examples:

t_{AVLL} = time for address valid to ALE LOW

t_{LLPL} = time for ALE LOW to \overline{PSEN} LOW

26 EPROM CHARACTERISTICS

The P8xC591 contains three signature bytes that can be read and used by an EPROM programming system to identify the device. The signature bytes identify the device as an P8xC591 manufactured by Philips:

- (030H) = 15H indicates manufactured by Philips
- (0031H) = 98H indicates Hamburg
- (60H) = 01H indicates P87C591

26.1 Program verification

If security bits 2 or 3 have not been programmed, the on-chip program memory can be read out for program verification.

If the encryption table has been programmed, the data presented at port 0 will be exclusive NOR of the program byte with one of the encryption bytes. The user will have to know the encryption table contents in order to correctly decode the verification data. The encryption table itself cannot be read out.

26.2 Security bits

With none of the security bits programmed the code in the program memory can be verified. If the encryption table is programmed, the code will be encrypted when verified. When only security bit 1 (see Table 113) is programmed, MOV C instructions executed from external program memory are disabled from fetching code bytes from the internal memory. \overline{EA} is latched on Reset and all further programming of the EPROM is disabled. When security bits 1 and 2 are programmed, in addition to the above, verify mode is disabled.

When all three security bits are programmed, all of the conditions above apply and all external program memory execution is disabled.

Table 113 Program security bits for EPROM devices
P = programmed; U = unprogrammed.

PROGRAM LOCK BITS ⁽¹⁾	SB1	SB2	SB3	PROTECTION DESCRIPTION
1	U	U	U	No Program Security features enabled. (Code verify will still be encrypted by the Encryption Array if programmed.)
2	P	U	U	MOV C instructions executed from external Program Memory are disabled from fetching code bytes from internal memory, \overline{EA} is sampled and latched on reset, and further programming of the EPROM is disabled.
3	P	P	U	Same as 2, also verify is disabled.
4	P	P	P	Same as 3, and external memory execution is disabled.

Note

1. Any other combination of the security bits is not defined.

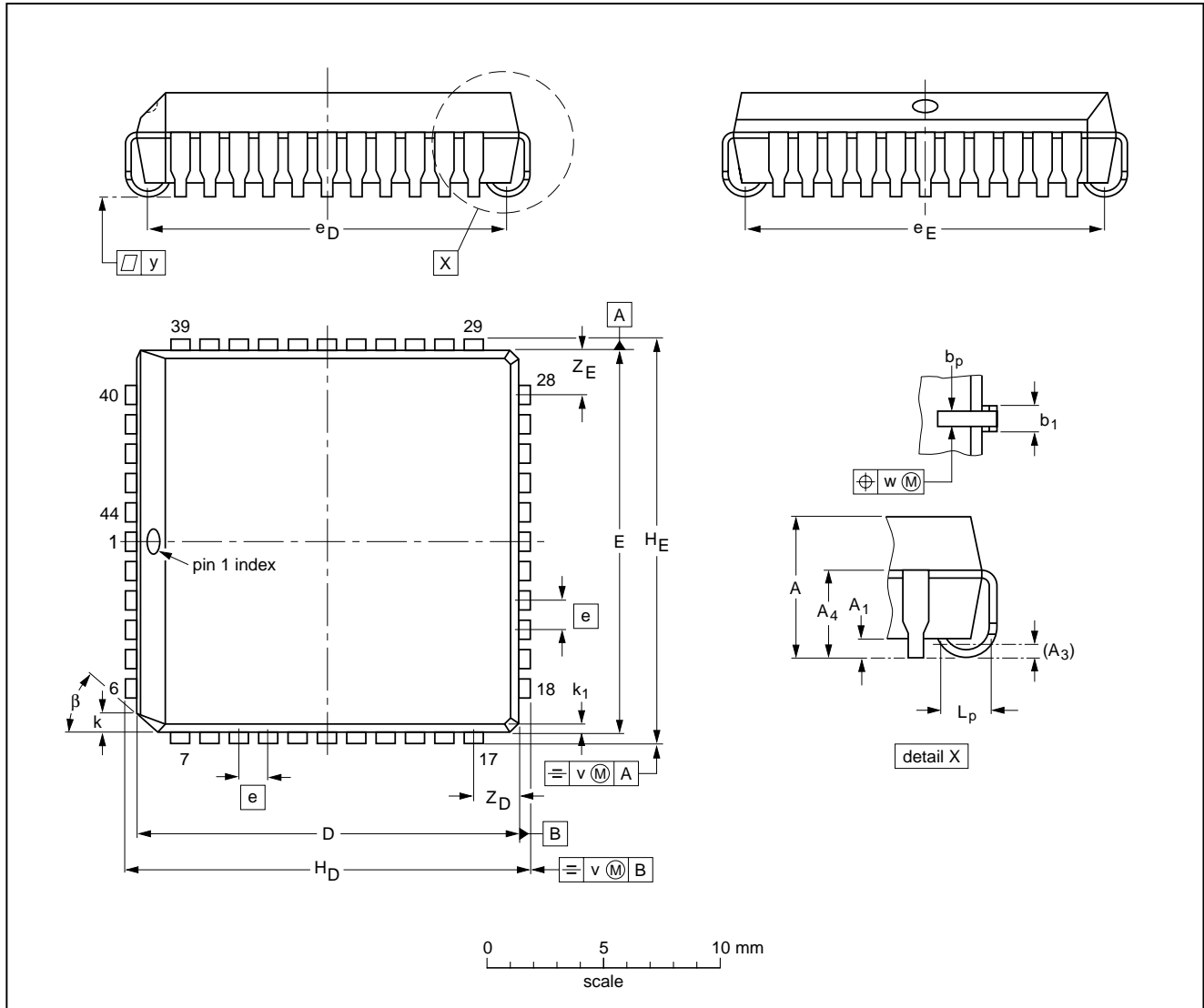
Single-chip 8-bit microcontroller with CAN controller

P8xC591

27 PACKAGE OUTLINES

PLCC44: plastic leaded chip carrier; 44 leads

SOT187-2



DIMENSIONS (millimetre dimensions are derived from the original inch dimensions)

UNIT	A	A ₁ min.	A ₃	A ₄ max.	b _p	b ₁	D ⁽¹⁾	E ⁽¹⁾	e	e _D	e _E	H _D	H _E	k	k ₁ max.	L _p	v	w	y	Z _D ⁽¹⁾ max.	Z _E ⁽¹⁾ max.	β
mm	4.57 4.19	0.51	0.25	3.05	0.53 0.33	0.81 0.66	16.66 16.51	16.66 16.51	1.27	16.00 14.99	16.00 14.99	17.65 17.40	17.65 17.40	1.22 1.07	0.51	1.44 1.02	0.18	0.18	0.10	2.16	2.16	45°
inches	0.180 0.165	0.020	0.01	0.12	0.021 0.013	0.032 0.026	0.656 0.650	0.656 0.650	0.05	0.630 0.590	0.630 0.590	0.695 0.685	0.695 0.685	0.048 0.042	0.020	0.057 0.040	0.007	0.007	0.004	0.085	0.085	

Note

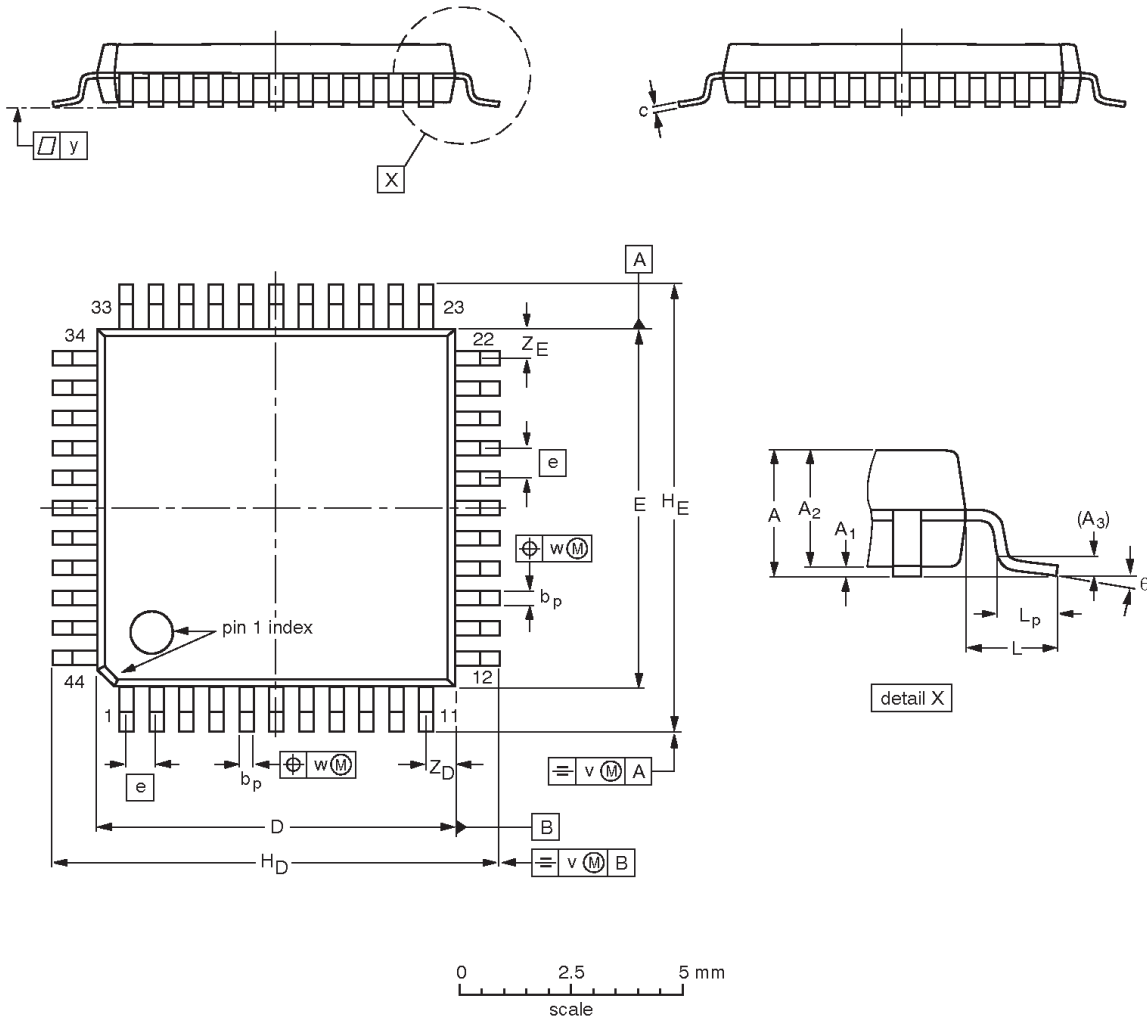
1. Plastic or metal protrusions of 0.01 inches maximum per side are not included.

OUTLINE VERSION	REFERENCES				EUROPEAN PROJECTION	ISSUE DATE
	IEC	JEDEC	EIAJ			
SOT187-2	112E10	MO-047AC				95-02-25- 97-12-16

Single-chip 8-bit microcontroller with CAN controller

P8xC591

QFP44: plastic quad flat package; 44 leads (lead length 1.3 mm); body 10 x 10 x 1.75 mm **SOT307-2**



DIMENSIONS (mm are the original dimensions)

UNIT	A max.	A ₁	A ₂	A ₃	b _p	c	D ⁽¹⁾	E ⁽¹⁾	e	H _D	H _E	L	L _p	v	w	y	Z _D ⁽¹⁾	Z _E ⁽¹⁾	θ
mm	2.10	0.25 0.05	1.85 1.65	0.25	0.40 0.20	0.25 0.14	10.1 9.9	10.1 9.9	0.8	12.9 12.3	12.9 12.3	1.3	0.95 0.55	0.15	0.15	0.1	1.2 0.8	1.2 0.8	10° 0°

Note

1. Plastic or metal protrusions of 0.25 mm maximum per side are not included.

OUTLINE VERSION	REFERENCES				EUROPEAN PROJECTION	ISSUE DATE
	IEC	JEDEC	EIAJ			
SOT307-2						-95-02-04 97-08-01

Single-chip 8-bit microcontroller with CAN controller

P8xC591

28 SOLDERING**28.1 Plastic leaded-chip carriers/quad flat-packs**

28.1.1 BY WAVE

During placement and before soldering, the component must be fixed with a droplet of adhesive. After curing the adhesive, the component can be soldered. The adhesive can be applied by screen printing, pin transfer or syringe dispensing.

Maximum permissible solder temperature is 260 °C, and maximum duration of package immersion in solder bath is 10 s, if allowed to cool to less than 150 °C within 6 s. Typical dwell time is 4 s at 250 °C.

A modified wave soldering technique is recommended using two solder waves (dual-wave), in which a turbulent wave with high upward pressure is followed by a smooth laminar wave. Using a mildly-activated flux eliminates the need for removal of corrosive residues in most applications.

28.1.2 BY SOLDER PASTE REFLOW

Reflow soldering requires the solder paste (a suspension of fine solder particles, flux and binding agent) to be applied to the substrate by screen printing, stencilling or pressure-syringe dispensing before device placement.

Several techniques exist for reflowing; for example, thermal conduction by heated belt, infrared, and vapour-phase reflow. Dwell times vary between 50 and 300 s according to method. Typical reflow temperatures range from 215 to 250 °C.

Preheating is necessary to dry the paste and evaporate the binding agent. Preheating duration: 45 min at 45 °C.

28.1.3 REPAIRING SOLDERED JOINTS (BY HAND-HELD SOLDERING IRON OR PULSE-HEATED SOLDER TOOL)

Fix the component by first soldering two, diagonally opposite, end pins. Apply the heating tool to the flat part of the pin only. Contact time must be limited to 10 s at up to 300 °C. When using proper tools, all other pins can be soldered in one operation within 2 to 5 s at between 270 and 320 °C. (Pulse-heated soldering is not recommended for SO packages.)

For pulse-heated solder tool (resistance) soldering of VSO packages, solder is applied to the substrate by dipping or by an extra thick tin/lead plating before package placement.

29 DEFINITIONS

Data sheet status	
Objective specification	This data sheet contains target or goal specifications for product development.
Preliminary specification	This data sheet contains preliminary data; supplementary data may be published later.
Product specification	This data sheet contains final product specifications.
Limiting values	
Limiting values given are in accordance with the Absolute Maximum Rating System (IEC 134). Stress above one or more of the limiting values may cause permanent damage to the device. These are stress ratings only and operation of the device at these or at any other conditions above those given in the Characteristics sections of this specification is not implied. Exposure to limiting values for extended periods may affect device reliability.	
Application information	
Where application information is given, it is advisory and does not form part of the specification.	

30 LIFE SUPPORT APPLICATIONS

These products are not designed for use in life support appliances, devices, or systems where malfunction of these products can reasonably be expected to result in personal injury. Philips customers using or selling these products for use in such applications do so at their own risk and agree to fully indemnify Philips for any damages resulting from such improper use or sale.

Single-chip 8-bit microcontroller with CAN controller

P8xC591

Data sheet status

Data sheet status	Product status	Definition [1]
Objective specification	Development	This data sheet contains the design target or goal specifications for product development. Specification may change in any manner without notice.
Preliminary specification	Qualification	This data sheet contains preliminary data, and supplementary data will be published at a later date. Philips Semiconductors reserves the right to make changes at any time without notice in order to improve design and supply the best possible product.
Product specification	Production	This data sheet contains final specifications. Philips Semiconductors reserves the right to make changes at any time without notice in order to improve design and supply the best possible product.

[1] Please consult the most recently issued datasheet before initiating or completing a design.

Definitions

Short-form specification — The data in a short-form specification is extracted from a full data sheet with the same type number and title. For detailed information see the relevant data sheet or data handbook.

Limiting values definition — Limiting values given are in accordance with the Absolute Maximum Rating System (IEC 134). Stress above one or more of the limiting values may cause permanent damage to the device. These are stress ratings only and operation of the device at these or at any other conditions above those given in the Characteristics sections of the specification is not implied. Exposure to limiting values for extended periods may affect device reliability.

Application information — Applications that are described herein for any of these products are for illustrative purposes only. Philips Semiconductors make no representation or warranty that such applications will be suitable for the specified use without further testing or modification.

Disclaimers

Life support — These products are not designed for use in life support appliances, devices or systems where malfunction of these products can reasonably be expected to result in personal injury. Philips Semiconductors customers using or selling these products for use in such applications do so at their own risk and agree to fully indemnify Philips Semiconductors for any damages resulting from such application.

Right to make changes — Philips Semiconductors reserves the right to make changes, without notice, in the products, including circuits, standard cells, and/or software, described or contained herein in order to improve design and/or performance. Philips Semiconductors assumes no responsibility or liability for the use of any of these products, conveys no license or title under any patent, copyright, or mask work right to these products, and makes no representations or warranties that these products are free from patent, copyright, or mask work right infringement, unless otherwise specified.

Philips Semiconductors
811 East Arques Avenue
P.O. Box 3409
Sunnyvale, California 94088-3409
Telephone 800-234-7381

© Copyright Philips Electronics North America Corporation 1999
All rights reserved. Printed in U.S.A.

Date of release: 09-99

Document order number:

9397 750 06433

Let's make things better.

Philips
Semiconductors



PHILIPS