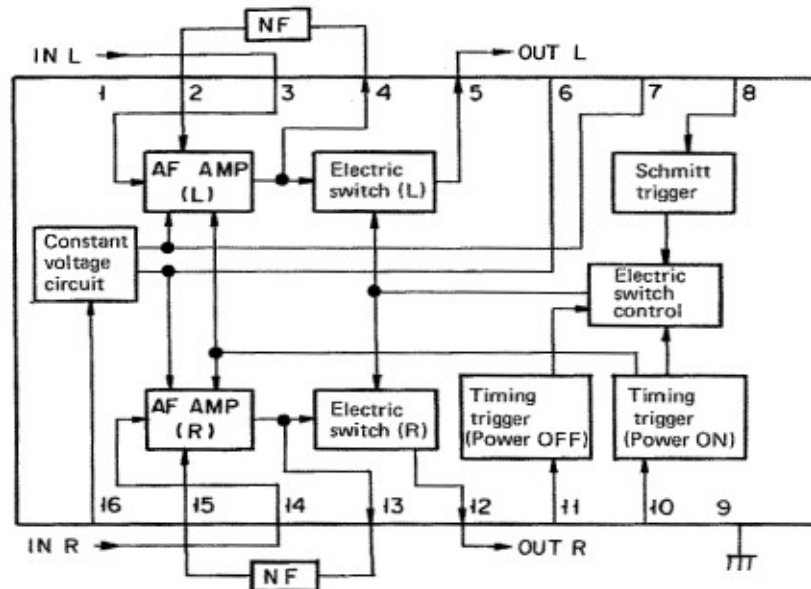


APPLICATION	AF AMP, MUTING	NAME	PA1002
MODEL	TX-9800	TYPE	C MOS

BLOCK DIAGRAM

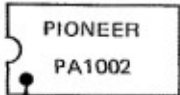
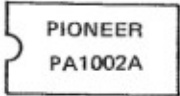
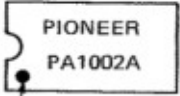
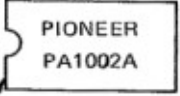


PIN FUNCTIONS

Pin No.	Standard Voltage (V)	Pin Name	Function and Operation
1	12.2	BIAS	
2	6.45	NF IN L	NF loop input terminal
3	6.45	AUDIO IN L	Audio signal input.
4	6.45	NF OUT L	NF Loop input terminal
5	6.45	AUDIO OUT L	Audio signal output
6	6.45	V Ref R	Constant voltage output
7	6.45	V Ref L	
8	0	MUTE IN	Muting ON when 1.3 ~ 5V
9	0	GND	
10	6.2	ON C	Muting control at power ON, MUT on 4.6V or greater
11	12.2	OFF C	Muting control at power OFF
12	6.45	AUDIO OUT R	Audio signal output
13	6.45	NF OUT R	NF loop output terminal
14	6.45	AUDIO IN R	Audio signal input
15	6.45	NF IN R	NF loop input terminal
16	13	VCC	

No signal voltage

FAMILY

PA1002Y	 <p>PIONEER PA1002</p> <p>Yellow dot</p>	PA1002 SN selected part PA1002Y < PA1002
PA1002-A	 <p>PIONEER PA1002A</p>	PA1002 distortion, oscillation margin improved part PA1002 < PA1002-A
PA1002-AY	 <p>PIONEER PA1002A</p> <p>Yellow dot</p>	PA1002-A SN selected part PA1002-AY < PA1002-A
PA1002-AG	 <p>PIONEER PA1002A</p> <p>Green mark</p>	PA1002-A distortion, SN selected part PA1002-A < PA1002-AG