

PA2020 5 GHz flat panel Antenna

Powerful and small antenna for 802.11A connections

Attractive low profile housing type

Type N Female connector

Extremely flat

Vertical polarization

20 dBi Antenna gain

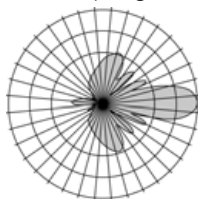
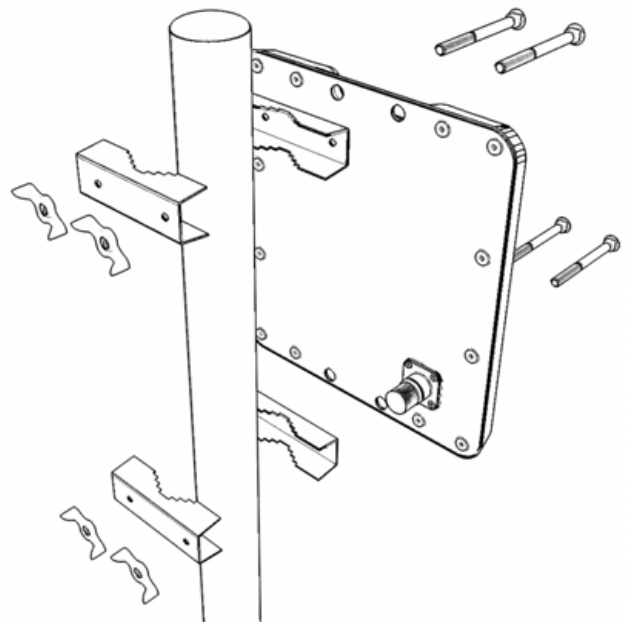
Type N Female connector

Strong pole mount material included

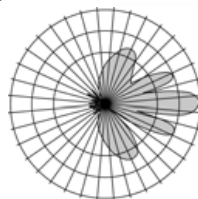


Specifications

Frequency Range	5400 - 5725 MHz
Gain	20 dBi
VSWR	1.5:1
Impedance	50 OHM
Input Power	100W
Operating Temperature	-30 +70 Deg C
Polarization	Vertical
Connector	N - female
Weight	1,2 Kg
Dimension (height x width)	(230 mm x 220 mm)



Azimuth radiation pattern



Elevation radiation pattern

Included pole mount for easy instalment



The antenna is extremely flat and low profile



The antenna is constructed of UV stable ABS

