



# PALCE26V12 Family

## 28-Pin EE CMOS Versatile PAL Device

### DISTINCTIVE CHARACTERISTICS

- 28-pin versatile PAL programmable logic device architecture
- Electrically erasable CMOS technology provides half power (only 115 mA) at high speed (7.5 ns propagation delay)
- 14 dedicated inputs and 12 input/output macrocells for architectural flexibility
- Macrocells can be registered or combinatorial, and active high or active low
- Varied product term distribution allows up to 16 product terms per output
- Two clock inputs for independent functions
- Global asynchronous reset and synchronous preset for initialization
- Register preload for testability and built-in register reset on power-up
- Space-efficient 28-pin SKINNYDIP and PLCC packages
- Center  $V_{CC}$  and GND pins to improve signal characteristics
- Extensive third-party software and programmer support through FusionPLD partners

### GENERAL DESCRIPTION

The PALCE26V12 is a 28-pin version of the popular PAL22V10 architecture. Built with low-power, high-speed, electrically-erasable CMOS technology, the PALCE26V12 offers many unique advantages.

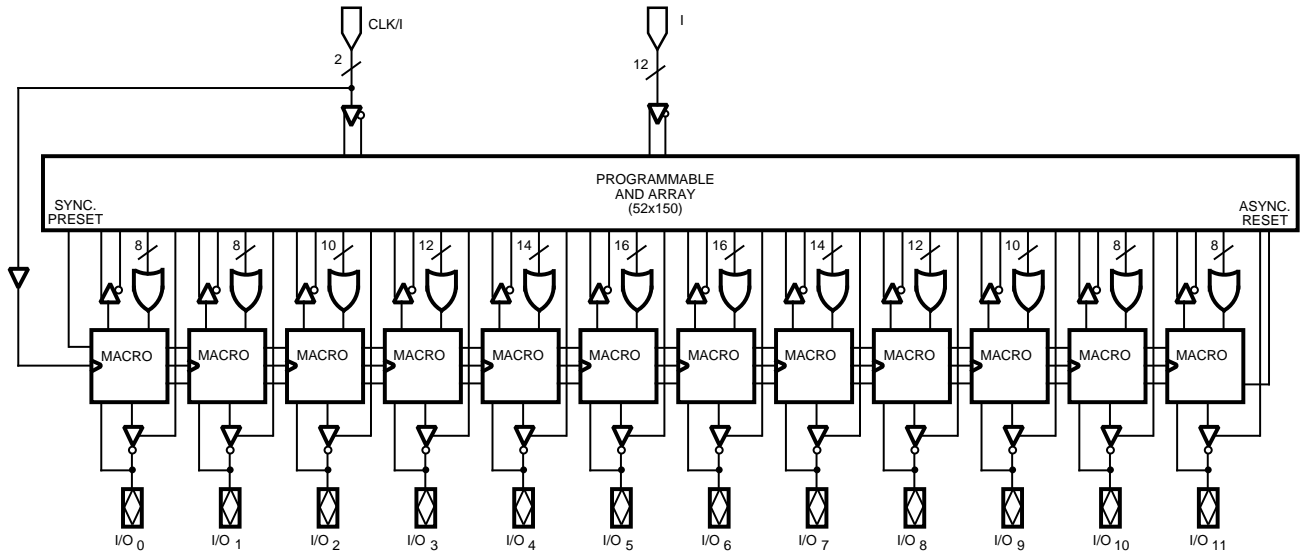
Device logic is automatically configured according to the user's design specification. Design is simplified by design software, allowing automatic creation of a programming file based on Boolean or state equations. The software can also be used to verify the design and can provide test vectors for the programmed device.

The PALCE26V12 utilizes the familiar sum-of-products (AND/OR) architecture that allows users to implement complex logic functions easily and efficiently. Multiple levels of combinatorial logic can always be reduced to sum-of-products form, taking advantage of the very wide input gates available in PAL devices. The functions are programmed into the device through electrically-erasable floating-gate cells in the AND logic array and the macrocells. In the unprogrammed state, all AND product terms float HIGH. If both true and complement of any input are connected, the term will be permanently LOW.

The product terms are connected to the fixed OR array with a varied distribution from 8 to 16 across the outputs (see Block Diagram). The OR sum of the products feeds the output macrocell. Each macrocell can be programmed as registered or combinatorial, active high or active low, with registered I/O possible. The flip-flop can be clocked by one of two clock inputs. The output configuration is determined by four bits controlling three multiplexers in each macrocell.

AMD's FusionPLD program allows PALCE26V12 designs to be implemented using a wide variety of popular industry-standard design tools. By working closely with the FusionPLD partners, AMD certifies that the tools provide accurate, quality support. By ensuring that third-party tools are available, costs are lowered because a designer does not have to buy a complete set of new tools for each device. The FusionPLD program also greatly reduces design time since a designer can use a tool that is already installed and familiar. Please refer to the PLD Software Reference Guide for certified development systems and the Programmer Reference Guide for approved programmers.

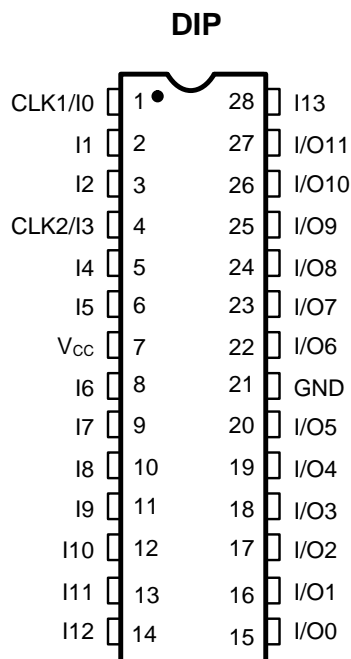
## BLOCK DIAGRAM



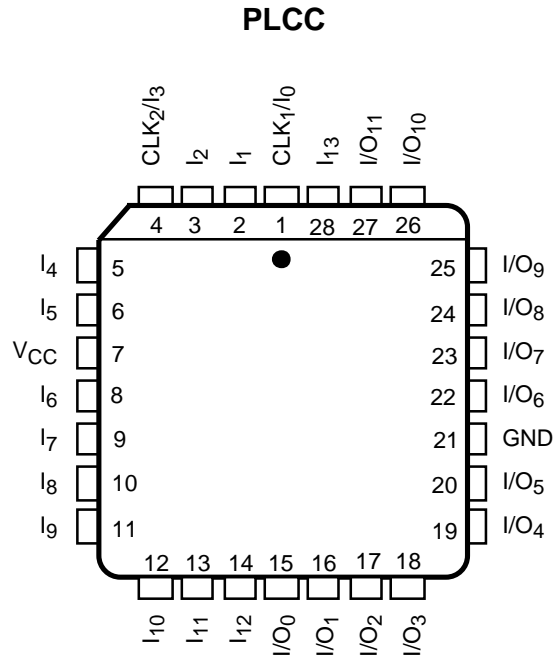
16072E-1

## CONNECTION DIAGRAMS

### Top View



16072E-2



16072E-3

**Note:**

Pin 1 is marked for orientation.

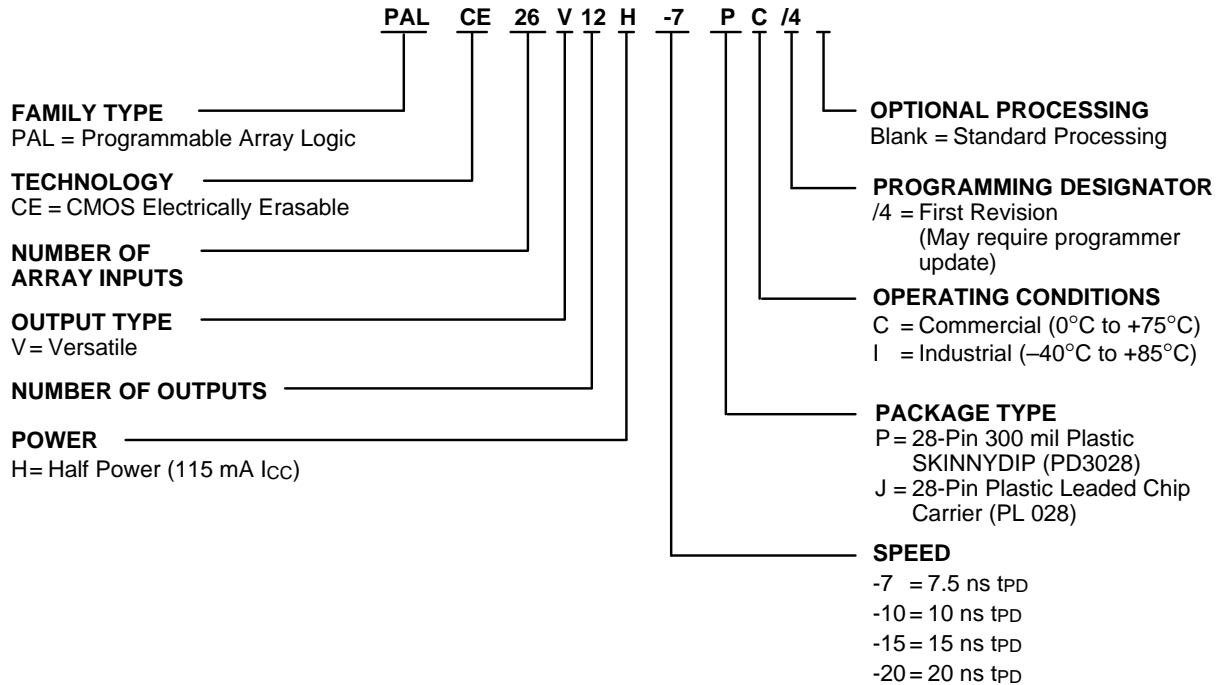
## PIN DESCRIPTION

- CLK = Clock
- GND = Ground
- I = Input
- I/O = Input/Output
- Vcc = Supply Voltage

## ORDERING INFORMATION

### Commercial and Industrial Products

AMD commercial and industrial programmable logic products are available with several ordering options. The order number (Valid Combination) is formed by a combination of:



Valid Combinations		
PALCE26V12H-7	JC	/4
PALCE26V12H-10	PC, JC, PI, JI	
PALCE26V12H-15		
PALCE26V12H-20		

#### Valid Combinations

Valid Combinations list configurations planned to be supported in volume for this device. Consult the local AMD sales office to confirm availability of specific valid combinations and to check on newly released combinations.

## FUNCTIONAL DESCRIPTION

The PALCE26V12 has fourteen dedicated input lines, two of which can be used as clock inputs. Unused inputs should be tied directly to ground or  $V_{CC}$ . Buffers for device inputs and feedbacks have both true and complementary outputs to provide user-selectable signal polarity. The inputs drive a programmable AND array, which feeds a fixed OR logic array.

The OR gates feed the twelve I/O macrocells (see Figure 1). The macrocell allows one of eight potential output configurations; registered or combinatorial, active high or active low, with register or I/O pin feedback (see Figure 2). In addition, registered configurations can be clocked by either of the two clock inputs.

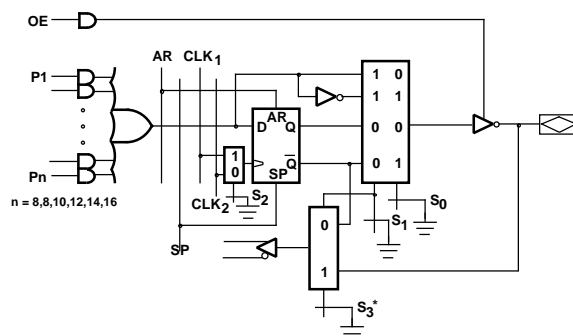
The configuration choice is made according to the user's design specification and corresponding programming of the configuration bits  $S_0$ – $S_3$  (see Table 1). Multiplexer controls initially float to  $V_{CC}$  (1) through a programmable cell, selecting the "1" path through the multiplexer. Programming the cell connects the control line to GND (0), selecting the "0" path.

**Table 1. Macrocell Configuration Table**

S3	S1	S0	Output Configuration
1	0	0	Registered Output and Feedback, Active Low
1	0	1	Registered Output and Feedback, Active High
1	1	0	Combinatorial I/O, Active Low
1	1	1	Combinatorial I/O, Active High
0	0	0	Registered I/O, Active Low
0	0	1	Registered I/O, Active High
0	1	0	Combinatorial Output, Registered Feedback, Active Low
0	1	1	Combinatorial Output, Registered Feedback, Active High

1 = Unprogrammed EE bit  
0 = Programmed EE bit

S2	Clock Input
1	CLK <sub>1</sub> /I <sub>0</sub>
0	CLK <sub>2</sub> /I <sub>3</sub>



\*When  $S_3 = 1$  (unprogrammed) the feedback is selected by  $S_1$ .  
When  $S_3 = 0$  (programmed), the feedback is the opposite of that selected by  $S_1$ .

16072E-4

**Figure 1. PALCE26V12 Macrocell**

### Registered or Combinatorial

Each macrocell of the PALCE26V12 includes a D-type flip-flop for data storage and synchronization. The flip-flop is loaded on the LOW-to-HIGH edge of the selected clock input. Any macrocell can be configured as combinatorial by selecting a multiplexer path that bypasses the flip-flop. Bypass is controlled by bit  $S_1$ .

### Programmable Clock

The clock input for any flip-flop can be selected to be from either pin 1 or pin 4. A 2:1 multiplexer controlled by bit  $S_2$  determines the clock input.

### Programmable Feedback

A 2:1 multiplexer allows the user to determine whether the macrocell feedback comes from the flip-flop or from the I/O pin, independent of whether the output is registered or combinatorial. Thus, registered outputs may have internal register feedback for higher speed ( $f_{MAX}$  internal), or I/O feedback for use of the pin as a direct input ( $f_{MAX}$  external). Combinatorial outputs may have I/O feedback, either for use of the signal in other equations or for use as another direct input, or register feedback.

The feedback multiplexer is controlled by the same bit (S1) that controls whether the output is registered or combinatorial, as on the 22V10, with an additional control bit (S3) that allows the alternative feedback path to be selected. When S3 = 1, S1 selects register feedback for registered outputs (S1 = 0) and I/O feedback for combinatorial outputs (S1 = 1). When S3 = 0, the opposite is selected: I/O feedback for registered outputs and register feedback for combinatorial outputs.

### Programmable Enable and I/O

Each macrocell has a three-state output buffer controlled by an individual product term. Enable and disable can be a function of any combination of device inputs or feedback. The macrocell provides a bidirectional I/O pin if I/O feedback is selected, and may be configured as a dedicated input if the buffer is always disabled. This is accomplished by connecting all inputs to the enable term, forcing the AND of the complemented inputs to be always LOW. To permanently enable the outputs, all inputs are left disconnected from the term (the unprogrammed state).

### Programmable Output Polarity

The polarity of each macrocell output can be active high or active low, either to match output signal needs or to reduce product terms. Programmable polarity allows Boolean expressions to be written in their most compact form (true or inverted), and the output can still be of the desired polarity. It can also save “DeMorganizing” efforts.

Selection is controlled by programmable bit S0 in the output macrocell, and affects both registered and combinatorial outputs. Selection is automatic, based on the design specification and pin definitions. If the pin definition and output equation have the same polarity, the output is programmed to be active high.

### Preset/Reset

For initialization, the PALCE26V12 has additional Preset and Reset product terms. These terms are connected to all registered outputs. When the Synchronous Preset (SP) product term is asserted high, the output registers will be loaded with a HIGH or the next LOW-to-HIGH clock transition. When the Asynchronous Reset (AR) product term is asserted high, the output registers will be immediately loaded with a LOW independent of the clock.

Note that preset and reset control the flip-flop, not the output pin. The output level is determined by the output polarity selected.

### Power-Up Reset

All flip-flops power up to a logic LOW for predictable system initialization. Outputs of the PALCE26V12 will be HIGH or LOW depending on whether the output is active low or active high, respectively. The V<sub>CC</sub> rise must be monotonic, and the reset delay time is 1000 ns maximum.

### Register Preload

The register on the PALCE26V12 can be preloaded from the output pins to facilitate functional testing of complex state machine designs. This feature allows direct loading of arbitrary states, thereby making it unnecessary to cycle through long test vector sequences to reach a desired state. In addition, transitions from illegal states can be verified by loading illegal states and observing proper recovery.

### Security Bit

After programming and verification, a PALCE26V12 design can be secured by programming the security bit. Once programmed, this bit defeats readback of the internal programmed pattern by a device programmer, securing proprietary designs from competitors. Programming the security bit disables preload, and the array will read as if every bit is disconnected. The security bit can only be erased in conjunction with erasure of the entire pattern.

### Programming and Erasing

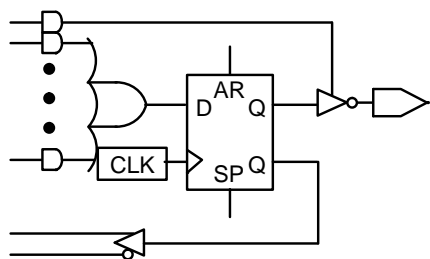
The PALCE26V12 can be programmed on standard logic programmers. It also may be erased to reset a previously configured device back to its virgin state. Erasure is automatically performed by the programming hardware. No special erase operation is required.

### Quality and Testability

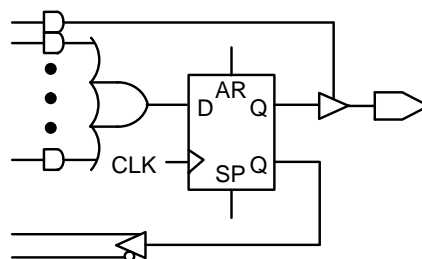
The PALCE26V12 offers a very high level of built-in quality. The erasability of the device provides a means of verifying performance of all AC and DC parameters. In addition, this verifies complete programmability and functionality of the device to provide the highest programming yields and post-programming functional yields in the industry.

### Technology

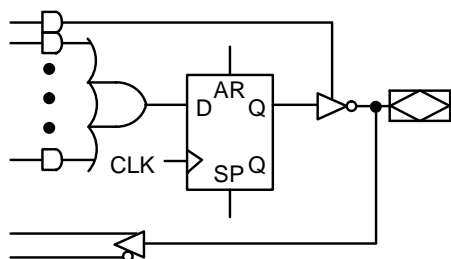
The high-speed PALCE26V12 is fabricated with AMD's advanced electrically erasable (EE) CMOS process. The array connections are formed with proven EE cells. Inputs and outputs are designed to be compatible with TTL devices. This technology provides strong input clamp diodes, output slew-rate control, and a grounded substrate for clean switching.



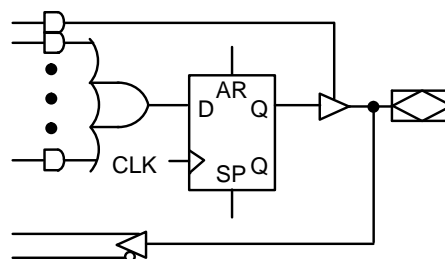
Registered Active-Low Output,  
Register Feedback



Registered Active-High Output,  
Register Feedback

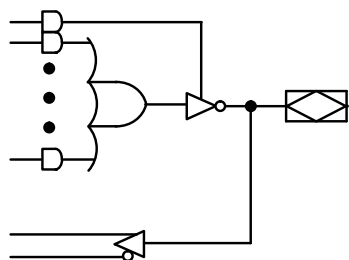


Registered Active-Low I/O

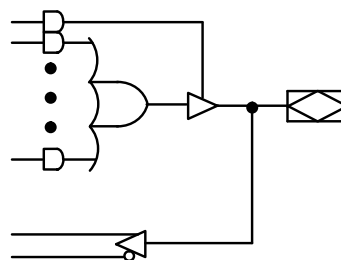


Registered Active-High I/O

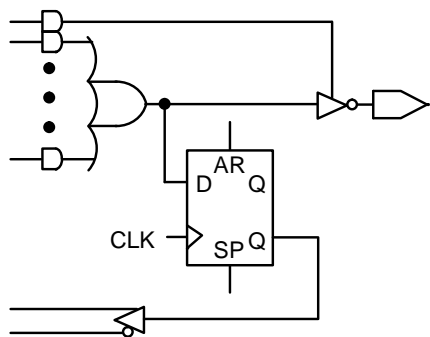
**Registered Outputs**



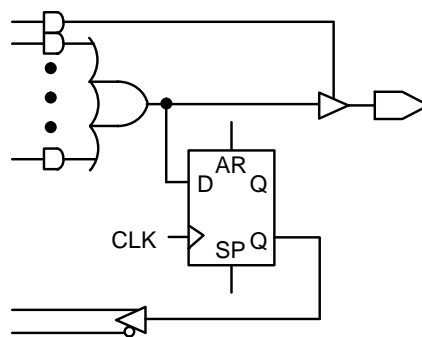
Combinatorial Active-Low I/O



Combinatorial Active-High I/O



Combinatorial Active-Low Output,  
Register Feedback



Combinatorial Active-High Output,  
Register Feedback

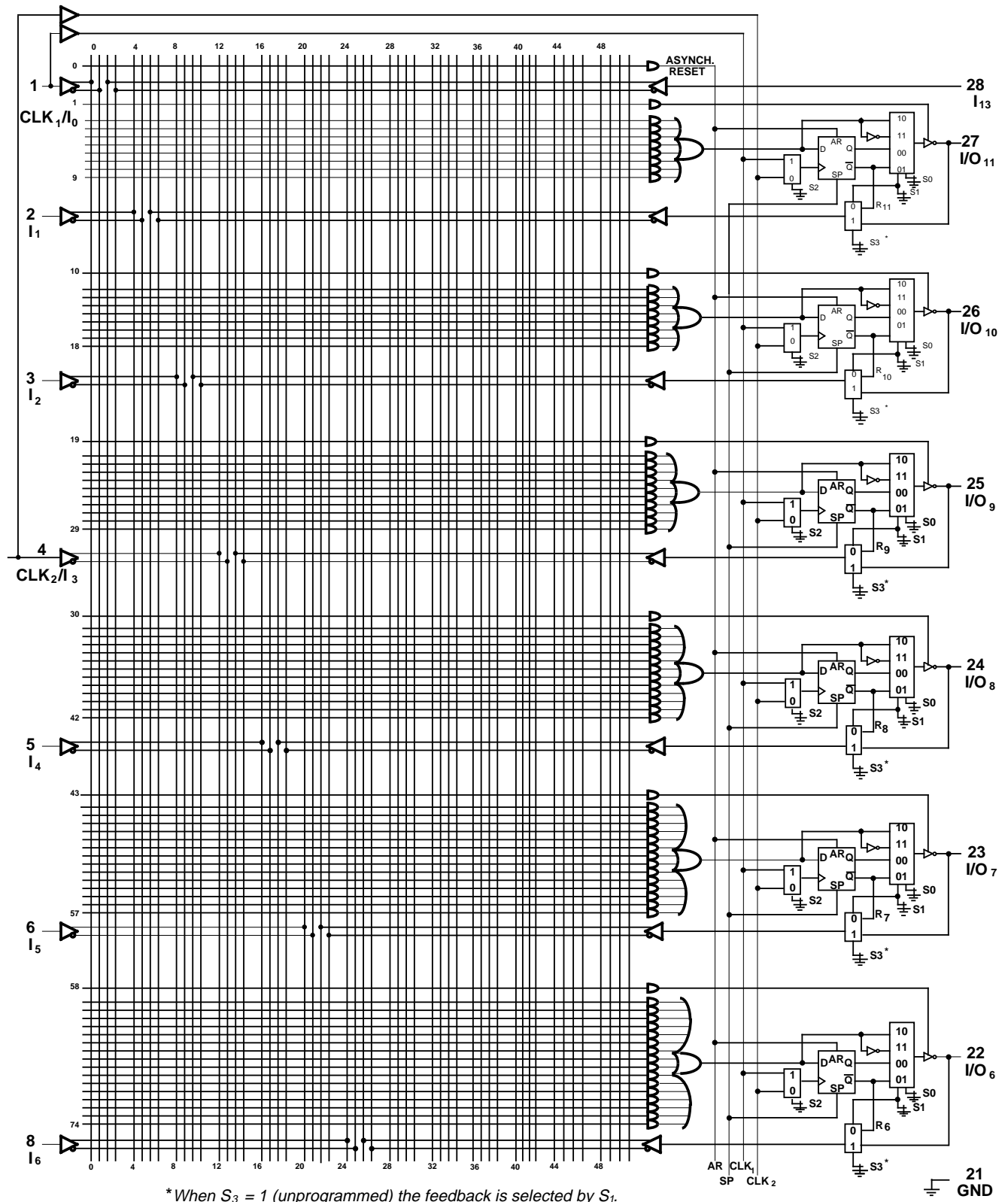
**Combinatorial Outputs**

16072E-5

**Figure 2. PALCE26V12 Macrocell Configuration Options**

LOGIC DIAGRAM

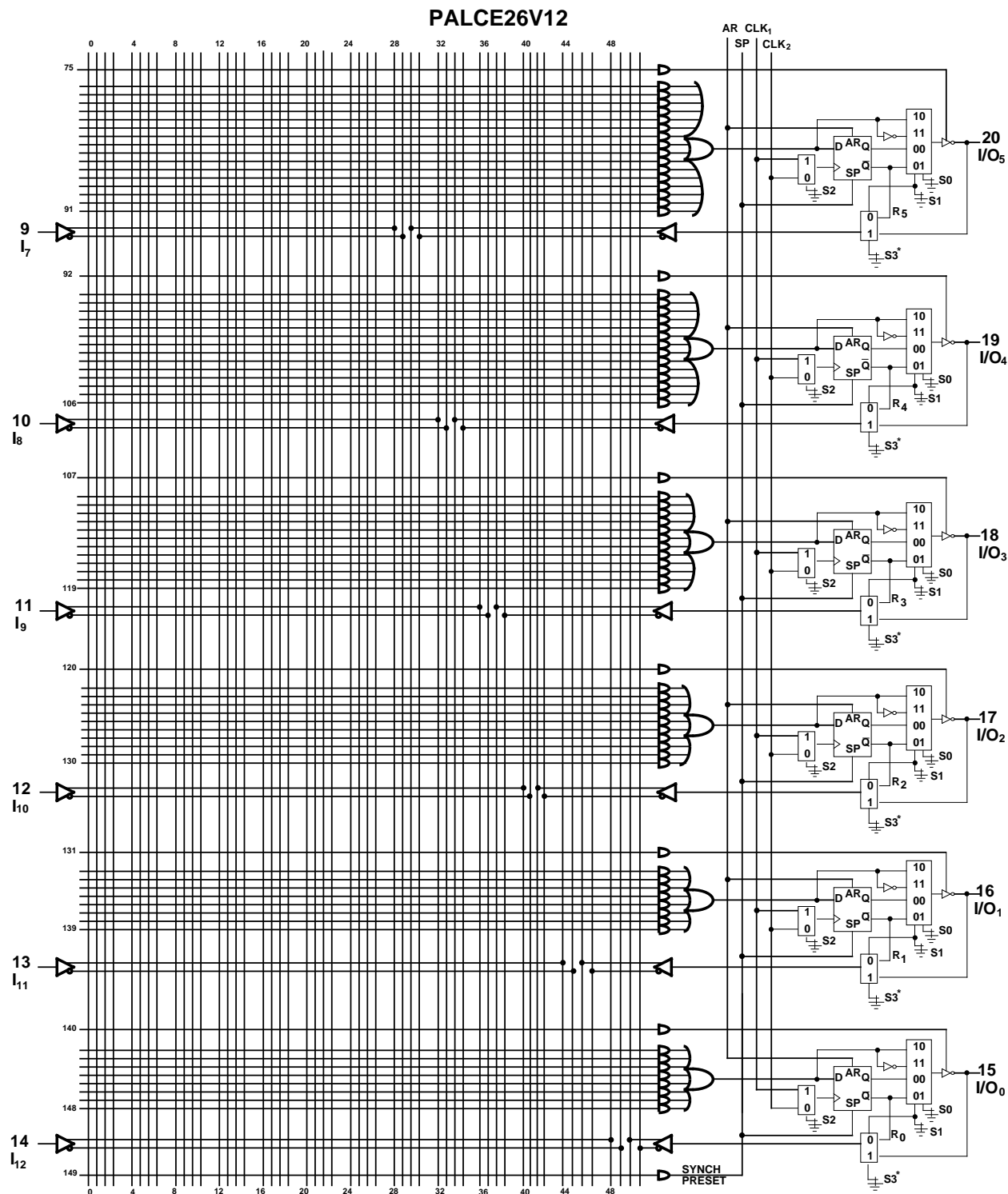
PALCE26V12



\* When S<sub>3</sub> = 1 (unprogrammed) the feedback is selected by S<sub>1</sub>.  
 When S<sub>3</sub> = 0 (programmed), the feedback is the opposite of that selected by S<sub>1</sub>.

16072E-6

LOGIC DIAGRAM (continued)



\* When  $S_3 = 1$  (unprogrammed) the feedback is selected by  $S_1$ .  
 When  $S_3 = 0$  (programmed), the feedback is the opposite of that selected by  $S_1$ .

16072E-6  
 (concluded)



## ABSOLUTE MAXIMUM RATINGS

Storage Temperature	−65°C to +150°C
Ambient Temperature with Power Applied	−55°C to +125°C
Supply Voltage with Respect to Ground	−0.5 V to +7.0 V
DC Input Voltage	−0.6 V to +7.0 V
DC Output or I/O Pin Voltage	−0.5 V to $V_{CC} + 0.5$ V
Static Discharge Voltage	2001 V

Stresses above those listed under Absolute Maximum Ratings may cause permanent device failure. Functionality at or above these limits is not implied. Exposure to Absolute Maximum Ratings for extended periods may affect device reliability. Programming conditions may differ.

## OPERATING RANGES

### Commercial (C) Devices

Ambient Temperature ( $T_A$ )	
Operating in Free Air	0°C to +75°C
Supply Voltage ( $V_{CC}$ ) with Respect to Ground	+4.75 V to +5.25 V

### Industrial (I) Devices

Ambient Temperature ( $T_A$ )	
Operating in Free Air	−40°C to +85°C
Supply Voltage ( $V_{CC}$ ) with Respect to Ground	+4.5 V to +5.5 V

Operating ranges define those limits between which the functionality of the device is guaranteed.

## DC CHARACTERISTICS over COMMERCIAL and INDUSTRIAL operating ranges unless otherwise specified

Parameter Symbol	Parameter Description	Test Conditions	Min	Max	Unit
$V_{OH}$	Output HIGH Voltage	$I_{OH} = -3.2$ mA $V_{IN} = V_{IH}$ or $V_{IL}$ $V_{CC} = \text{Min}$	2.4		V
$V_{OL}$	Output LOW Voltage	$I_{OL} = 16$ mA $V_{IN} = V_{IH}$ or $V_{IL}$ $V_{CC} = \text{Min}$		0.4	V
$V_{IH}$	Input HIGH Voltage	Guaranteed Input Logical HIGH Voltage for all Inputs (Note 1)	2.0		V
$V_{IL}$	Input LOW Voltage	Guaranteed Input Logical LOW Voltage for all Inputs (Note 1)		0.8	V
$I_{IH}$	Input HIGH Leakage Current	$V_{IN} = 5.25$ V, $V_{CC} = \text{Max}$ (Note 2)		10	$\mu$ A
$I_{IL}$	Input LOW Leakage Current	$V_{IN} = 0$ V, $V_{CC} = \text{Max}$ (Note 2)		−10	$\mu$ A
$I_{OZH}$	Off-State Output Leakage Current HIGH	$V_{OUT} = 5.25$ V, $V_{CC} = \text{Max}$ $V_{IN} = V_{IH}$ or $V_{IL}$ (Note 2)		10	$\mu$ A
$I_{OZL}$	Off-State Output Leakage Current LOW	$V_{OUT} = 0$ V, $V_{CC} = \text{Max}$ $V_{IN} = V_{IH}$ or $V_{IL}$ (Note 2)		−10	$\mu$ A
$I_{SC}$	Output Short-Circuit Current	$V_{OUT} = 0.5$ V, $V_{CC} = \text{Max}$ (Note 3)	−30	−170	mA
$I_{CC}$ (Static)	Commercial Supply Current	$V_{IN} = 0$ V, Outputs Open ( $I_{OUT} = 0$ mA) $V_{CC} = \text{Max}$ , $f = 0$ MHz	H-7/10	115	mA
$I_{CC}$ (Dynamic)		$V_{IN} = 0$ V, Outputs Open ( $I_{OUT} = 0$ mA) $V_{CC} = \text{Max}$ , $f = 15$ MHz	H-7/10	140	mA
$I_{CC}$ (Dynamic)	Industrial Supply Current	$V_{CC} = \text{Max}$ , $f = 15$ MHz	H-10	150	mA

### Notes:

- These are absolute values with respect to device ground and all overshoots due to system and/or tester noise are included.
- I/O pin leakage is the worst case of  $I_{IL}$  and  $I_{OZL}$  (or  $I_{IH}$  and  $I_{OZH}$ ).
- Not more than one output should be tested at a time. Duration of the short-circuit should not exceed one second.  $V_{OUT} = 0.5$  V has been chosen to avoid test problems caused by tester ground degradation.

**CAPACITANCE (Note 1)**

Parameter Symbol	Parameter Description	Test Conditions		Typ	Unit
C <sub>IN</sub>	Input Capacitance	V <sub>IN</sub> = 0 V	V <sub>CC</sub> = 5.0 V T <sub>A</sub> = +25°C f = 1 MHz	5	pF
C <sub>OUT</sub>	Output Capacitance	V <sub>OUT</sub> = 0 V		8	

**Note:**

1. These parameters are not 100% tested, but are evaluated at initial characterization and at any time the design is modified where capacitance may be affected.

**SWITCHING CHARACTERISTICS over COMMERCIAL and INDUSTRIAL operating ranges (Note 2)**

Parameter Symbol	Parameter Description	-7		-10		Unit
		Min	Max	Min	Max	
t <sub>PD</sub>	Input or Feedback to Combinatorial Output		7.5		10	ns
t <sub>S1</sub>	Setup Time from Input or Feedback	3.5		5		ns
t <sub>S2</sub>	Setup Time from SP to Clock	4.5		5		ns
t <sub>H</sub>	Hold Time	0		0		ns
t <sub>CO</sub>	Clock to Output		6		9	ns
t <sub>AR</sub>	Asynchronous Reset to Registered Output		11		13	ns
t <sub>ARW</sub>	Asynchronous Reset Width	6		8		ns
t <sub>ARR</sub>	Asynchronous Reset Recovery Time	5		8		ns
t <sub>SPR</sub>	Synchronous Preset Recovery Time	5		8		ns
t <sub>WL</sub>	Clock Width	LOW	3.5	4		ns
t <sub>WH</sub>		HIGH	3.5	4		ns
f <sub>MAX</sub>	Maximum Frequency (Notes 3 and 4)	External Feedback	1/(t <sub>S</sub> + t <sub>CO</sub> )	105.3	71.4	MHz
		Internal Feedback (f <sub>CNT</sub> )	1/(t <sub>S</sub> + t <sub>CF</sub> )	125	105	MHz
t <sub>EA</sub>	Input to Output Enable Using Product Term Control		8		10	ns
t <sub>ER</sub>	Input to Output Disable Using Product Term Control		7.5		10	ns

**Notes:**

2. See Switching Test Circuit for test conditions.
3. These parameters are not 100% tested, but are calculated at initial characterization and at any time the design is modified where frequency may be affected.
4. t<sub>CF</sub> is a calculated value and is not guaranteed. t<sub>CF</sub> can be found using the following equation:  
t<sub>CF</sub> = 1/f<sub>MAX</sub> (internal feedback) – t<sub>S</sub>.

## ABSOLUTE MAXIMUM RATINGS

Storage Temperature	−65°C to +150°C
Ambient Temperature with Power Applied	−55°C to +125°C
Supply Voltage with Respect to Ground	−0.5 V to +7.0 V
DC Input Voltage	−0.6 V to +7.0 V
DC Output or I/O Pin Voltage	−0.5 V to $V_{CC} + 0.5$ V
Static Discharge Voltage	2001 V

Stresses above those listed under Absolute Maximum Ratings may cause permanent device failure. Functionality at or above these limits is not implied. Exposure to Absolute Maximum Ratings for extended periods may affect device reliability. Programming conditions may differ.

## OPERATING RANGES

### Commercial (C) Devices

Ambient Temperature ( $T_A$ )	Operating in Free Air	0°C to +75°C
Supply Voltage ( $V_{CC}$ )	with Respect to Ground	+4.75 V to +5.25 V

### Industrial (I) Devices

Ambient Temperature ( $T_A$ )	Operating in Free Air	−40°C to +85°C
Supply Voltage ( $V_{CC}$ )	with Respect to Ground	+4.5 V to +5.5 V

Operating ranges define those limits between which the functionality of the device is guaranteed.

## DC CHARACTERISTICS over COMMERCIAL and INDUSTRIAL operating ranges unless otherwise specified

Parameter Symbol	Parameter Description	Test Conditions	Min	Max	Unit
$V_{OH}$	Output HIGH Voltage	$I_{OH} = -3.2$ mA $V_{IN} = V_{IH}$ or $V_{IL}$ $V_{CC} = \text{Min}$	2.4		V
$V_{OL}$	Output LOW Voltage	$I_{OL} = 16$ mA $V_{IN} = V_{IH}$ or $V_{IL}$ $V_{CC} = \text{Min}$		0.4	V
$V_{IH}$	Input HIGH Voltage	Guaranteed Input Logical HIGH Voltage for all Inputs (Note 1)	2.0		V
$V_{IL}$	Input LOW Voltage	Guaranteed Input Logical LOW Voltage for all Inputs (Note 1)		0.8	V
$I_{IH}$	Input HIGH Leakage Current	$V_{IN} = 5.25$ V, $V_{CC} = \text{Max}$ (Note 2)		10	$\mu$ A
$I_{IL}$	Input LOW Leakage Current	$V_{IN} = 0$ V, $V_{CC} = \text{Max}$ (Note 2)		−10	$\mu$ A
$I_{OZH}$	Off-State Output Leakage Current HIGH	$V_{OUT} = 5.25$ V, $V_{CC} = \text{Max}$ $V_{IN} = V_{IH}$ or $V_{IL}$ (Note 2)		10	$\mu$ A
$I_{OZL}$	Off-State Output Leakage Current LOW	$V_{OUT} = 0$ V, $V_{CC} = \text{Max}$ $V_{IN} = V_{IH}$ or $V_{IL}$ (Note 2)		−10	$\mu$ A
$I_{SC}$	Output Short-Circuit Current	$V_{OUT} = 0.5$ V, $V_{CC} = \text{Max}$ (Note 3)	−30	−160	mA
$I_{CC}$ (Static)	Commercial Supply Current	$V_{IN} = 0$ V, Outputs Open ( $I_{OUT} = 0$ mA) $V_{CC} = \text{Max}$ , $f = 0$ MHz	H-15/20	105	mA
$I_{CC}$ (Dynamic)	Industrial Supply Current	$V_{IN} = 0$ V, Outputs Open ( $I_{OUT} = 0$ mA) $V_{CC} = \text{Max}$ , $f = 15$ MHz	H-15	150	mA
$I_{CC}$ (Static)		$V_{IN} = 0$ V, Outputs Open ( $I_{OUT} = 0$ mA) $V_{CC} = \text{Max}$	H-20	130	mA
$I_{CC}$ (Dynamic)		$V_{IN} = 0$ V, Outputs Open ( $I_{OUT} = 0$ mA) $V_{CC} = \text{Max}$ , $f = 15$ MHz	H-20	150	mA

### Notes:

- These are absolute values with respect to device ground and all overshoots due to system and/or tester noise are included.
- I/O pin leakage is the worst case of  $I_{IL}$  and  $I_{OZL}$  (or  $I_{IH}$  and  $I_{OZH}$ ).
- Not more than one output should be tested at a time. Duration of the short-circuit should not exceed one second.  $V_{OUT} = 0.5$  V has been chosen to avoid test problems caused by tester ground degradation.

**CAPACITANCE (Note 1)**

Parameter Symbol	Parameter Description	Test Conditions		Typ	Unit
C <sub>IN</sub>	Input Capacitance	V <sub>IN</sub> = 0 V	V <sub>CC</sub> = 5.0 V T <sub>A</sub> = +25°C f = 1 MHz	5	pF
C <sub>OUT</sub>	Output Capacitance	V <sub>OUT</sub> = 0 V		8	

**Note:**

1. These parameters are not 100% tested, but are evaluated at initial characterization and at any time the design is modified where capacitance may be affected.

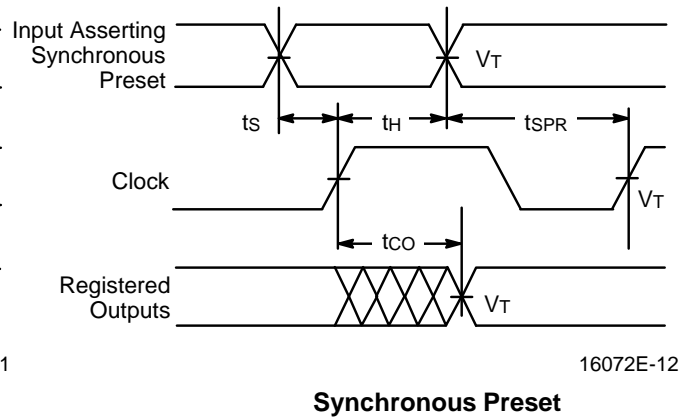
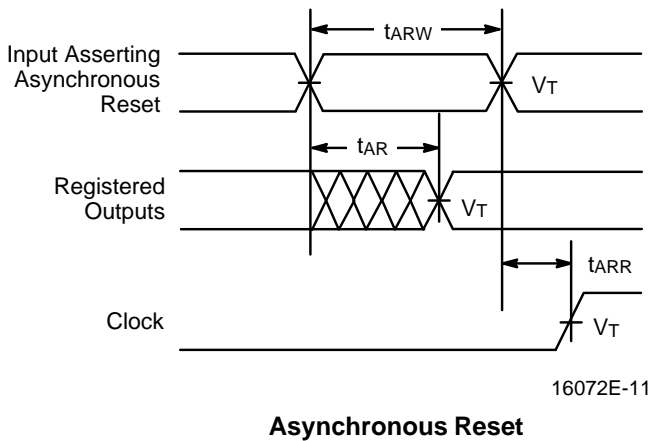
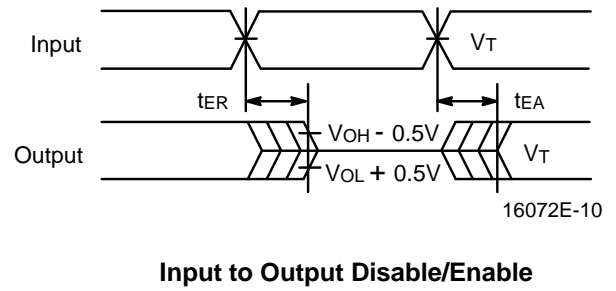
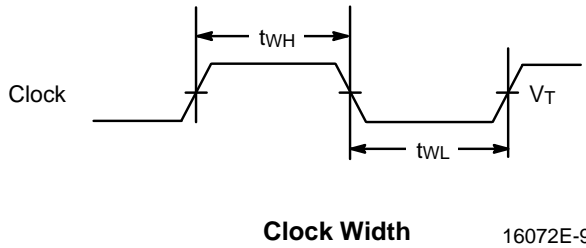
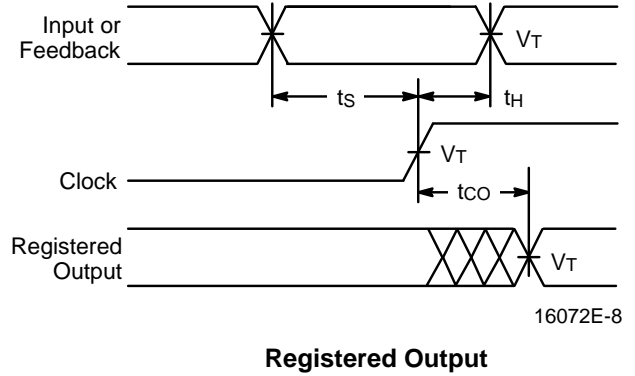
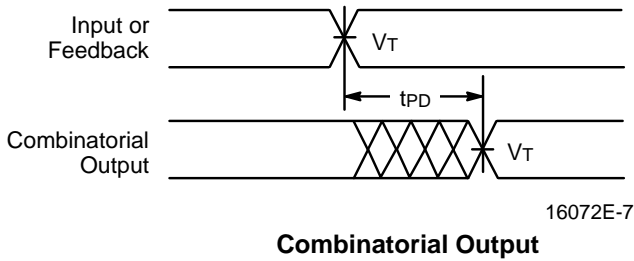
**SWITCHING CHARACTERISTICS over COMMERCIAL and INDUSTRIAL operating ranges (Note 2)**

Parameter Symbol	Parameter Description	-15		-20		Unit
		Min	Max	Min	Max	
t <sub>PD</sub>	Input or Feedback to Combinatorial Output		15		20	ns
t <sub>S</sub>	Setup Time from Input, Feedback, or SP to Clock	10		13		ns
t <sub>H</sub>	Hold Time	0		0		ns
t <sub>CO</sub>	Clock to Output		10		12	ns
t <sub>AR</sub>	Asynchronous Reset to Registered Output		20		25	ns
t <sub>ARW</sub>	Asynchronous Reset Width	15		20		ns
t <sub>ARR</sub>	Asynchronous Reset Recovery Time	15		20		ns
t <sub>SPR</sub>	Synchronous Preset Recovery Time	10		13		ns
t <sub>WL</sub>	Clock Width	LOW	8	10		ns
t <sub>WH</sub>		HIGH	8	10		ns
f <sub>MAX</sub>	Maximum Frequency (Notes 3 and 4)	External Feedback	1/(t <sub>S</sub> + t <sub>CO</sub> )	50	40	MHz
		Internal Feedback (f <sub>CNT</sub> )	1/(t <sub>S</sub> + t <sub>CF</sub> )	58.8	43	MHz
t <sub>EA</sub>	Input to Output Enable Using Product Term Control		15		20	ns
t <sub>ER</sub>	Input to Output Disable Using Product Term Control		15		20	ns

**Notes:**

2. See Switching Test Circuit for test conditions.
3. These parameters are not 100% tested, but are calculated at initial characterization and at any time the design is modified where frequency may be affected.
6. t<sub>CF</sub> is a calculated value and is not guaranteed. t<sub>CF</sub> can be found using the following equation:  
t<sub>CF</sub> = 1/f<sub>MAX</sub> (internal feedback) – t<sub>S</sub>.




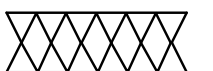
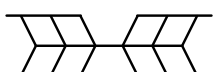
**SWITCHING WAVEFORMS**



**Notes:**

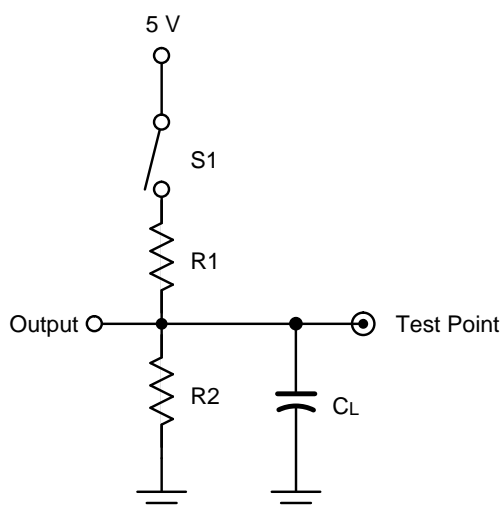
1.  $V_T = 1.5\text{ V}$
2. Input pulse amplitude 0 V to 3.0 V.
3. Input rise and fall times 2 ns–5 ns typical.

## KEY TO SWITCHING WAVEFORMS

WAVEFORM	INPUTS	OUTPUTS
	Must be Steady	Will be Steady
	May Change from H to L	Will be Changing from H to L
	May Change from L to H	Will be Changing from L to H
	Don't Care, Any Change Permitted	Changing, State Unknown
	Does Not Apply	Center Line is High-Impedance "Off" State

KS000010-PAL

## SWITCHING TEST CIRCUIT

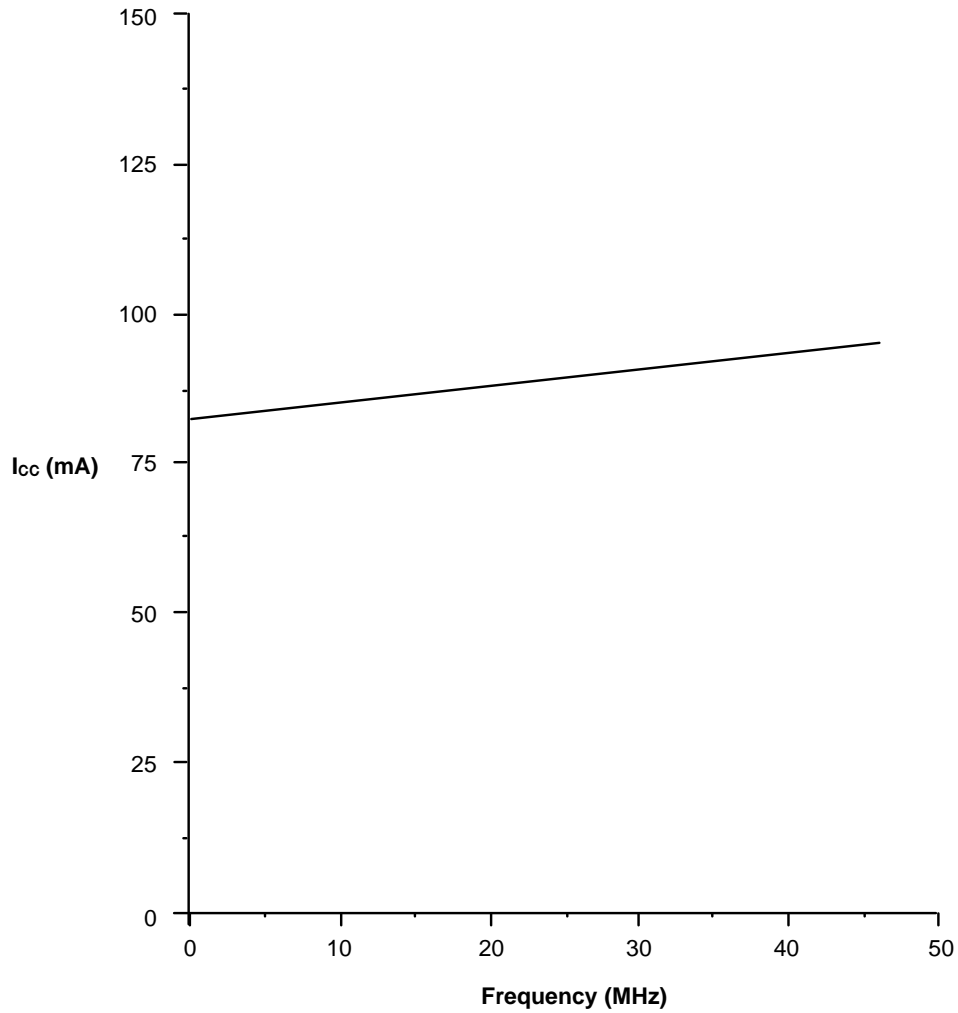


16072E-13

Specification	S1	C <sub>L</sub>	R1	R2	Measured Output Value
t <sub>PD</sub> , t <sub>CO</sub>	Closed	50 pF	300 Ω	Com'l: H-15/20 Ind: H-20 390 Ω	1.5 V
t <sub>EA</sub>	Z → H: Open Z → L: Closed			1.5 V	
t <sub>ER</sub>	H → Z: Open L → Z: Closed	5 pF		Com'l: H-7/10 Ind: H-10/15 300 Ω	H → Z: V <sub>OH</sub> - 0.5 V L → Z: V <sub>OL</sub> + 0.5 V

**TYPICAL  $I_{CC}$  CHARACTERISTICS FOR THE PALCE26V12H-7/10**

$V_{CC} = 5.0\text{ V}$ ,  $T_A = 25^\circ\text{C}$



16072E-14

The selected "typical" pattern utilized 50% of the device resources. Half of the macrocells were programmed as registered, and the other half were programmed as combinatorial. Half of the available product terms were used for each macrocell. On any vector, half of the outputs were switching.

By utilizing 50% of the device, a midpoint is defined for  $I_{CC}$ . From this midpoint, a designer may scale the  $I_{CC}$  graphs up or down to estimate the  $I_{CC}$  requirements for a particular design.

## ENDURANCE CHARACTERISTICS

The PALCE26V12 is manufactured using AMD's advanced Electrically Erasable process. This technology uses an EE cell to replace the fuse link used in bipolar

parts. As a result, the device can be erased and reprogrammed—a feature which allows 100% testing at the factory.

Symbol	Parameter	Test Conditions	Min	Unit
tDR	Min Pattern Data Retention Time	Max Storage Temperature	10	Years
		Max Operating Temperature	20	Years
N	Min Reprogramming Cycles	Normal Programming Conditions	100	Cycles

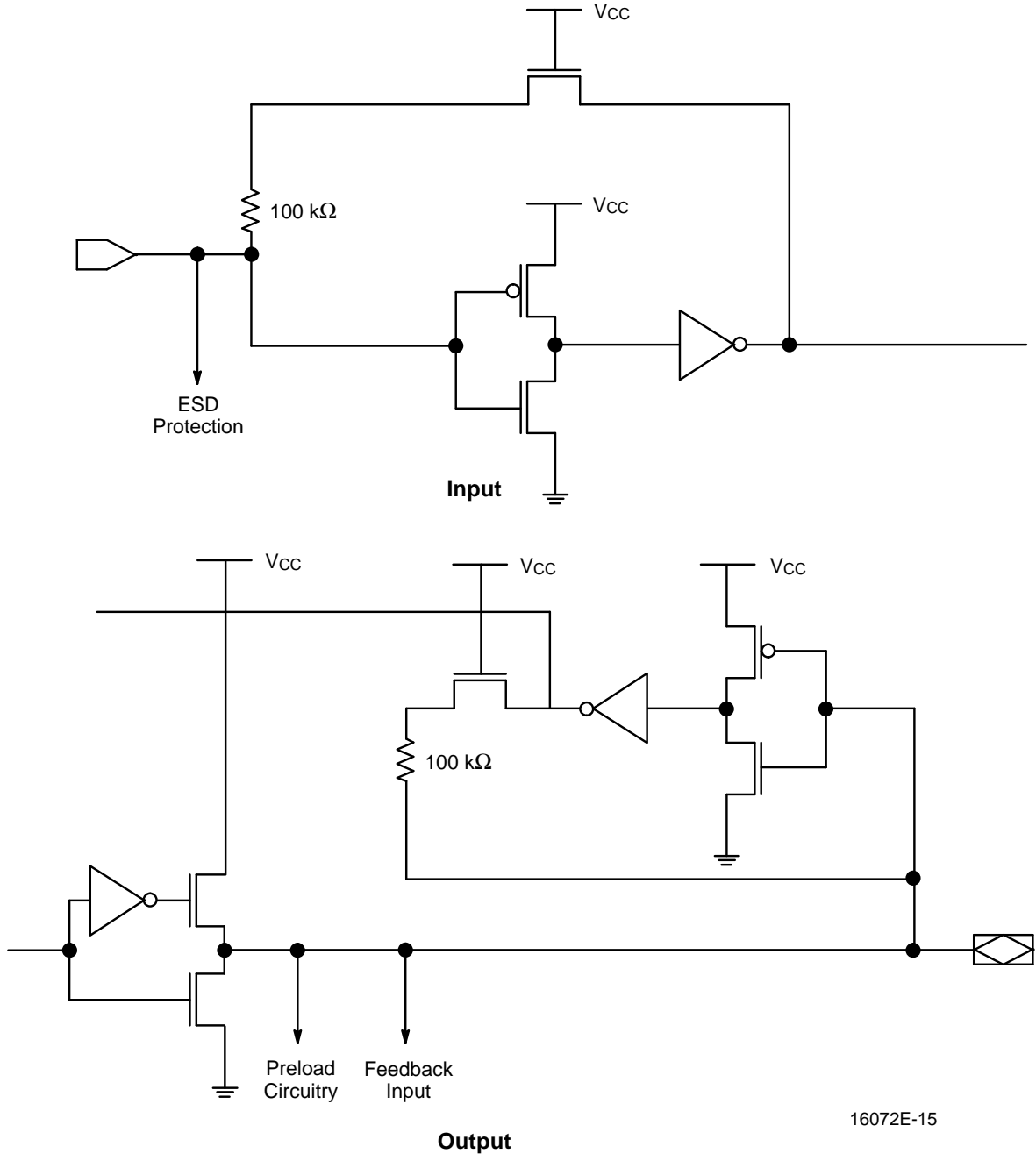


### Bus-Friendly Inputs

The PALCE26V12H-7/10 (Com'l) and H-10/15 (Ind) inputs and I/O loop back to the input after the second stage of the input buffer. This configuration reinforces

the state of the input and pulls the voltage away from the input threshold voltage where noise can cause oscillations. For an illustration of this configuration, see below.

### INPUT/OUTPUT EQUIVALENT SCHEMATICS FOR REV. C VERSION\*



16072E-15

Device	Rev. Letter
PALCE26V12H-7	C
PALCE26V12H-10	
PALCE26V12H-15	

#### **Topside Marking:**

AMD CMOS PLD's are marked on top of the package in the following manner:

PALCE xxxx

Datecode (4 numbers) LOT ID (3 characters) -- (Rev. Letter)

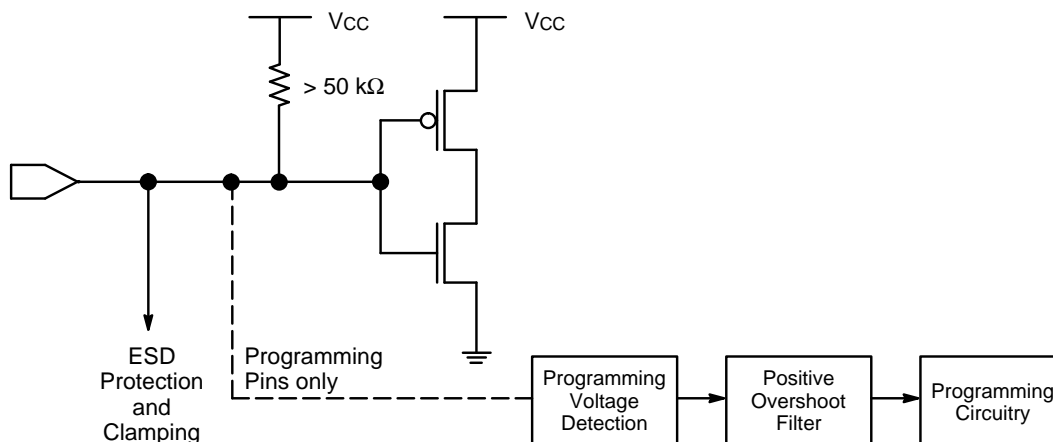
The Lot ID and Rev. letter are separated by two spaces.

## ROBUSTNESS FEATURES

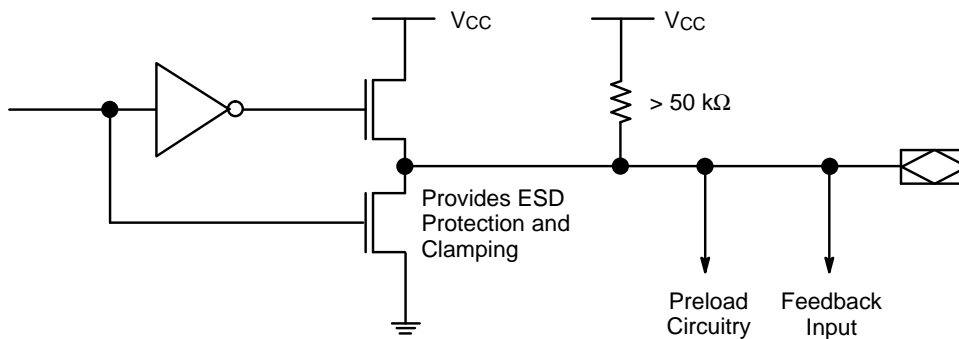
The PALCE26V12 has some unique features that make it extremely robust, especially when operating in high speed design environments. Input clamping circuitry limits negative overshoot, eliminating the possibility of

false clocking caused by subsequent ringing. A special noise filter makes the programming circuitry completely insensitive to any positive overshoot that has a pulse width of less than about 100 ns.

## INPUT/OUTPUT EQUIVALENT SCHEMATICS FOR REV. B VERSION\*



Typical Input



Typical Output

16072E-16

Device	Rev. Letter
PALCE26V12-15	B
PALCE26V12-20	

### Topside Marking:

AMD CMOS PLD's are marked on top of the package in the following manner:

PALCE xxxx

Datecode (4 numbers) LOT ID (3 characters) -- (Rev. Letter)

The Lot ID and Rev. letter are separated by two spaces.

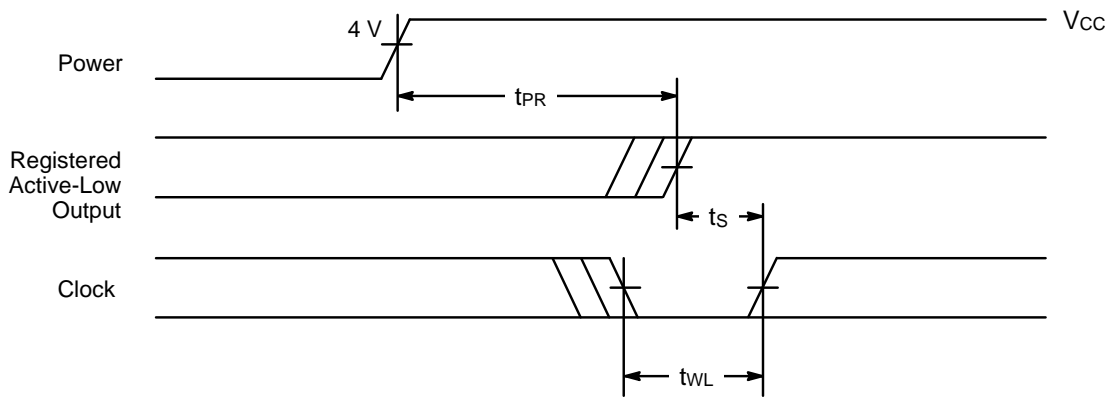
## POWER-UP RESET

The power-up reset feature ensures that all flip-flops will be reset to LOW after the device has been powered up. The output state will depend on the programmed configuration. This feature is valuable in simplifying state machine initialization. A timing diagram and parameter table are shown below. Due to the synchronous operation of the power-up reset and the wide

range of ways  $V_{CC}$  can rise to its steady state, two conditions are required to ensure a valid power-up reset. These conditions are:

- The  $V_{CC}$  rise must be monotonic.
- Following reset, the clock input must not be driven from LOW to HIGH until all applicable input and feedback setup times are met.

Parameter Symbol	Parameter Description	Max	Unit
$t_{PR}$	Power-Up Reset Time	1000	ns
$t_s$	Input or Feedback Setup Time	See Switching Characteristics	
$t_{WL}$	Clock Width LOW		



16072E-17

**Power-Up Reset Waveform**

**TYPICAL THERMAL CHARACTERISTICS**

Measured at 25°C ambient. These parameters are not tested.

**PALCE26V12**

Parameter Symbol	Parameter Description	Typ		Unit	
		SKINNYDIP	PLCC		
$\theta_{jc}$	Thermal impedance, junction to case	19	18	°C/W	
$\theta_{ja}$	Thermal impedance, junction to ambient	65	55	°C/W	
$\theta_{jma}$	Thermal impedance, junction to ambient with air flow	200 lfpm air	59	48	°C/W
		400 lfpm air	54	44	°C/W
		600 lfpm air	50	39	°C/W
		800 lfpm air	50	37	°C/W

**Plastic  $\theta_{jc}$  Considerations**

The data listed for plastic  $\theta_{jc}$  are for reference only and are not recommended for use in calculating junction temperatures. The heat-flow paths in plastic-encapsulated devices are complex, making the  $\theta_{jc}$  measurement relative to a specific location on the package surface. Tests indicate this measurement reference point is directly below the die-attach area on the bottom center of the package. Furthermore,  $\theta_{jc}$  tests on packages are performed in a constant-temperature bath, keeping the package surface at a constant temperature. Therefore, the measurements can only be used in a similar environment.

**f<sub>MAX</sub> Parameters**

The parameter f<sub>MAX</sub> is the maximum clock rate at which the device is guaranteed to operate. Because the flexibility inherent in programmable logic devices offers a choice of clocked flip-flop designs, f<sub>MAX</sub> is specified for three types of synchronous designs.

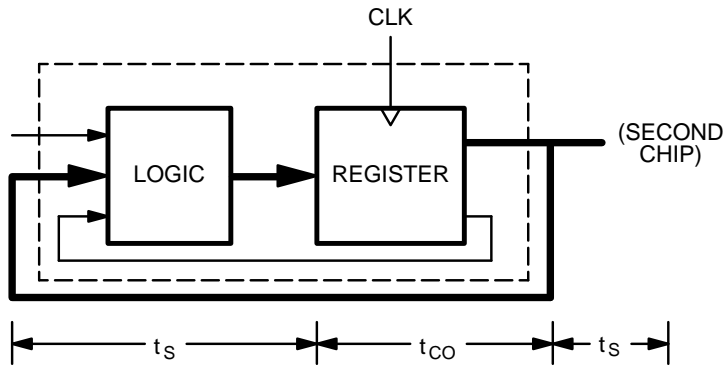
The first type of design is a state machine with feedback signals sent off-chip. This external feedback could go back to the device inputs, or to a second device in a multi-chip state machine. The slowest path defining the period is the sum of the clock-to-output time and the input setup time for the external signals (t<sub>s</sub> + t<sub>CO</sub>). The reciprocal, f<sub>MAX</sub>, is the maximum frequency with external feedback or in conjunction with an equivalent speed device. This f<sub>MAX</sub> is designated "f<sub>MAX</sub> external."

The second type of design is a single-chip state machine with internal feedback only. In this case, flip-flop inputs are defined by the device inputs and flip-flop outputs. Under these conditions, the period is limited by the

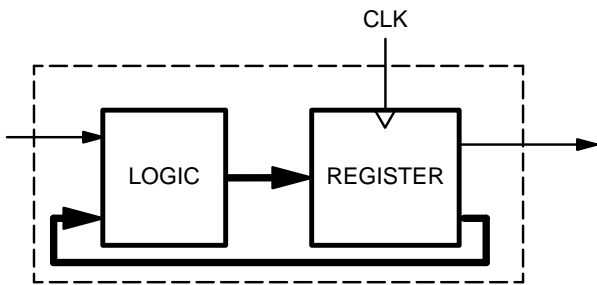
internal delay from the flip-flop outputs through the internal feedback and logic to the flip-flop inputs. This f<sub>MAX</sub> is designated "f<sub>MAX</sub> internal". A simple internal counter is a good example of this type of design, therefore, this parameter is sometimes called "f<sub>CNT</sub>."

The third type of design is a simple data path application. In this case, input data is presented to the flip-flop and clocked through; no feedback is employed. Under these conditions, the period is limited by the sum of the data setup time and the data hold time (t<sub>s</sub> + t<sub>H</sub>). However, a lower limit for the period of each f<sub>MAX</sub> type is the minimum clock period (t<sub>WH</sub> + t<sub>WL</sub>). Usually, this minimum clock period determines the period for the third f<sub>MAX</sub>, designated "f<sub>MAX</sub> no feedback."

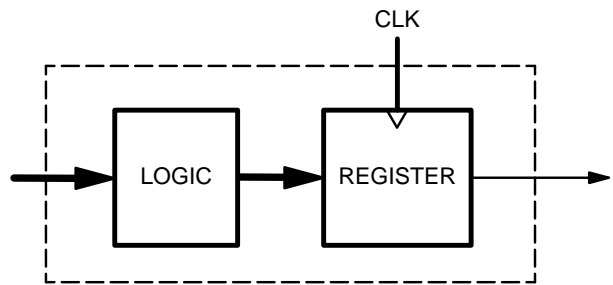
f<sub>MAX</sub> external and f<sub>MAX</sub> no feedback are calculated parameters. f<sub>MAX</sub> external is calculated from t<sub>s</sub> and t<sub>CO</sub>, and f<sub>MAX</sub> no feedback is calculated from t<sub>WL</sub> and t<sub>WH</sub>. f<sub>MAX</sub> internal is measured.



f<sub>MAX</sub> External; 1/(t<sub>s</sub> + t<sub>CO</sub>)



f<sub>MAX</sub> Internal (f<sub>CNT</sub>)



f<sub>MAX</sub> No Feedback; 1/(t<sub>s</sub> + t<sub>H</sub>) or 1/(t<sub>WH</sub> + t<sub>WL</sub>)

16072E-18