

**PAM8302L**

**2.5W FILTERLESS CLASS-D MONO AUDIO AMPLIFIER**

**Description**

The PAM8302L is a 2.5W Class-D mono audio amplifier. Its low THD+N offers high-quality sound reproduction.

The PAM8302L uses a filterless design that avoids the use of low-pass filters. This new design allows the amplifier to directly drive a speaker, making it cheap and compact. The new design allows the amplifier to be more affordable and take less PCB area.

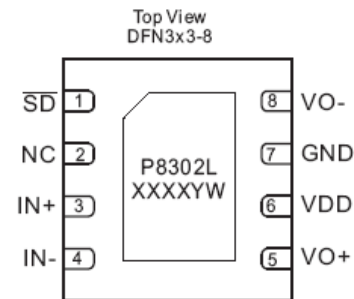
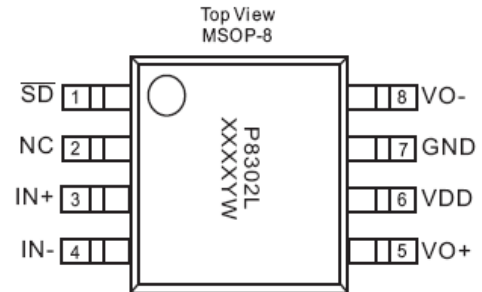
The PAM8302L uses less power than the Class-AB amplifiers. The use of this product can help optimize battery life; it is ideal for portable applications.

The PAM8302L is available in MSOP-8 and DFN3x3-8 packages.

**Features**

- Support 2.0V to 5.5V Supply Voltage Range
- 2.5W Output at 10% THD with a 4Ω Load and 5V Power Supply
- Filterless, Low Quiescent Current and Low EMI
- High Efficiency up to 88%
- Superior Low Noise
- Short Circuit Protection
- Thermal Shutdown
- Few External Components to Save Space and Cost
- MSOP-8 and DFN3x3 Packages Available
- Pb-Free Packages

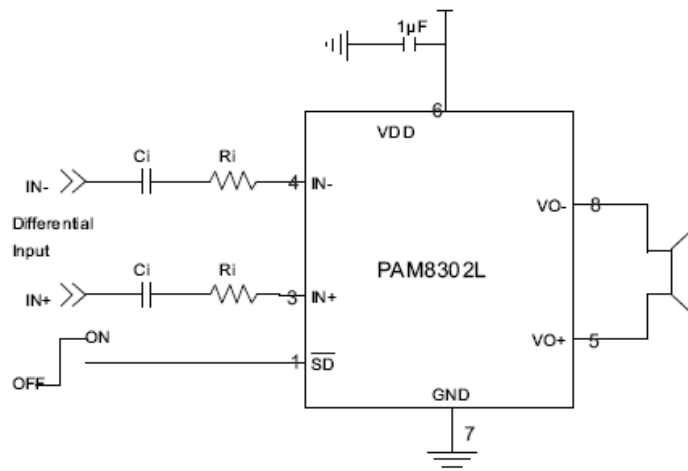
**Pin Assignments**



**Applications**

- PMP/MP4
- GPS
- Portable Speakers
- Walkie Talkie
- Handsfree phones/Speaker Phones
- Cellular Phones

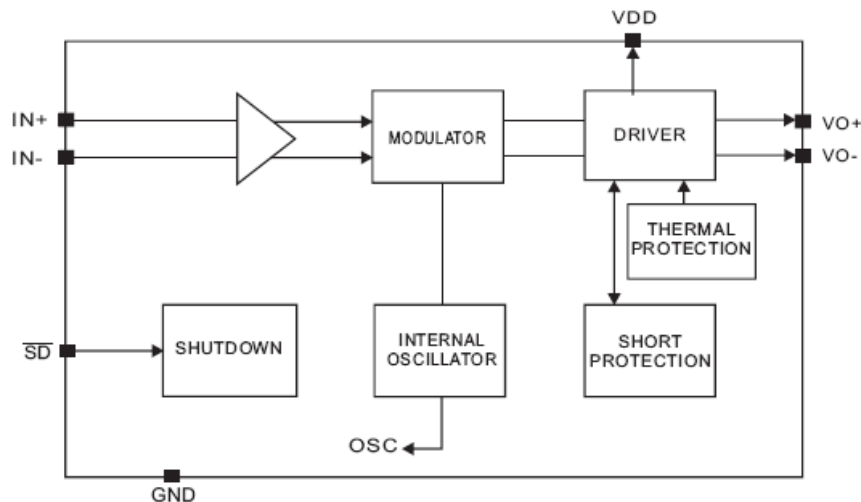
**Typical Applications Circuit**



## Pin Descriptions

Pin Number	Pin Name	Function
1	SD	Shutdown Terminal (active low)
2	NC	No Connection
3	IN+	Positive Differential Input
4	IN-	Negative Differential Input
5	VO+	Positive BTL Output
6	VDD	Analog Power Supply
7	GND	Ground
8	VO-	Negative BTL Output

## Functional Block Diagram



## Absolute Maximum Ratings (@T<sub>A</sub> = +25°C, unless otherwise specified.)

These are stress ratings only and functional operation is not implied. Exposure to absolute maximum ratings for prolonged time periods may affect device reliability. All voltages are with respect to ground.

Parameter	Rating	Unit
Supply Voltage at No Input Signal	6.0	V
Input Voltage	-0.3 to V <sub>DD</sub> +0.3	
Maximum Junction Temperature	150	°C
Storage Temperature	-65 to +150	
Soldering Temperature	300, 5sec	

## Recommended Operating Conditions (@T<sub>A</sub> = +25°C, unless otherwise specified.)

Parameter	Rating	Unit
Supply Voltage Range	2.0 to 5.5	V
Operation Temperature Range	-40 to +85	°C
Junction Temperature Range	-40 to +125	°C

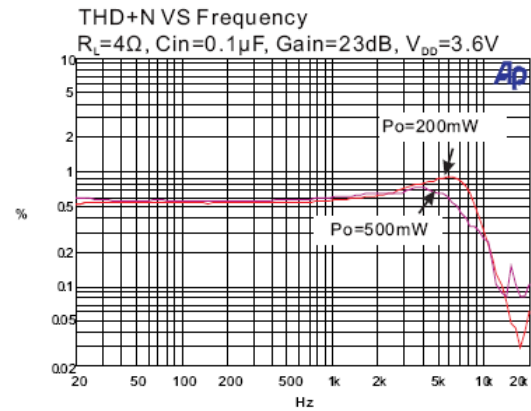
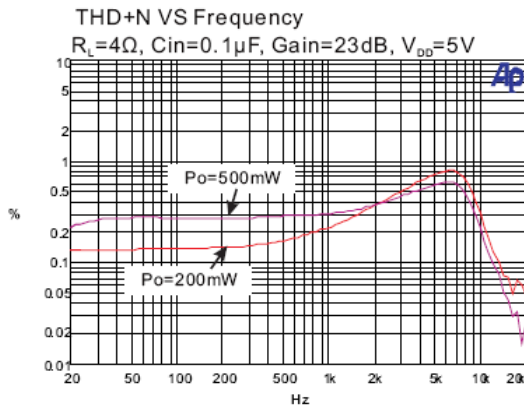
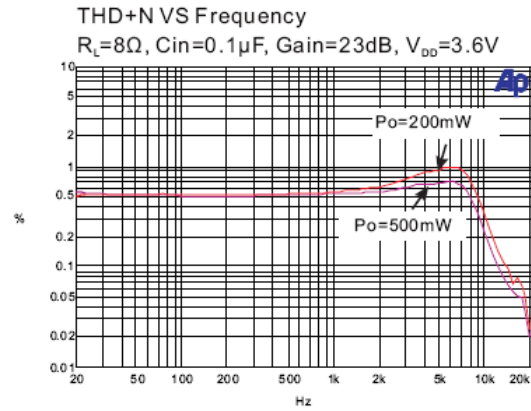
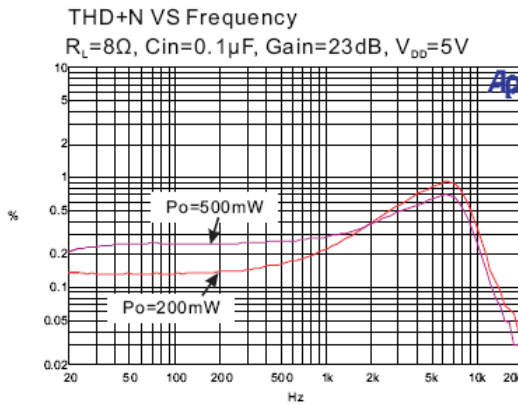
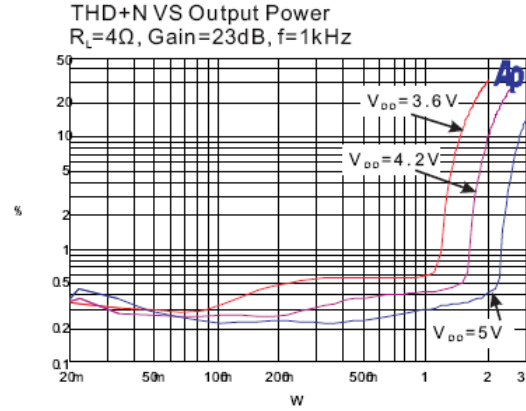
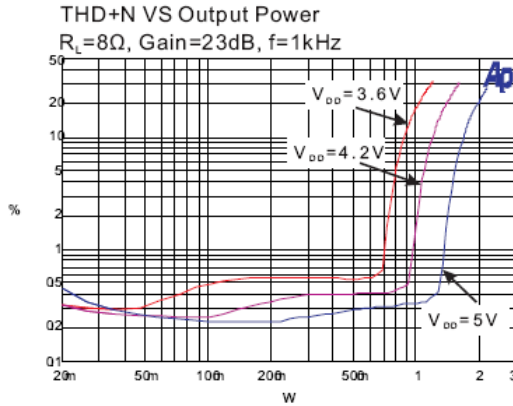
## Thermal Information

Parameter	Package	Symbol	Max	Unit
Thermal Resistance (Junction to Case)	MSOP-8	$\theta_{JC}$	75	°C/W
	DFN3x3-8		20	
Thermal Resistance (Junction to Ambient)	MSOP-8	$\theta_{JA}$	180	°C/W
	DFN3x3-8		50	
Internal Power Dissipation @ $T_A = +25^\circ\text{C}$	MSOP-8	$P_D$	550	mW
	DFN3x3-8		2000	

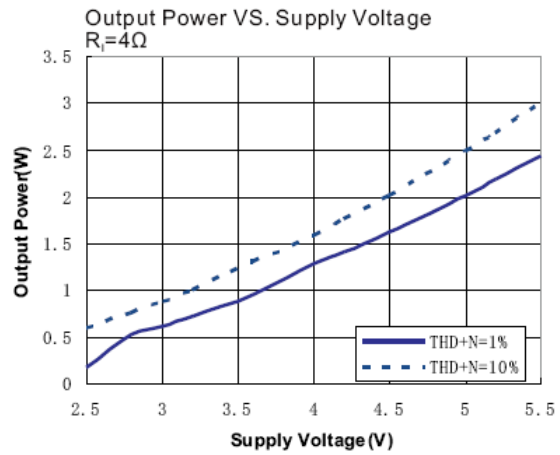
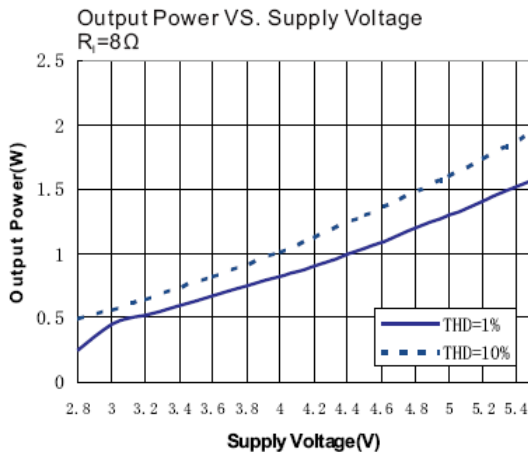
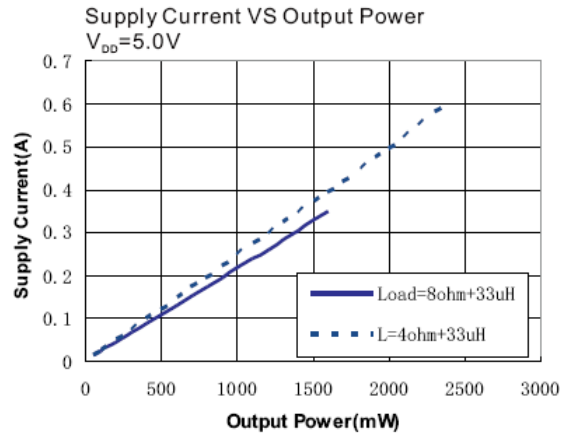
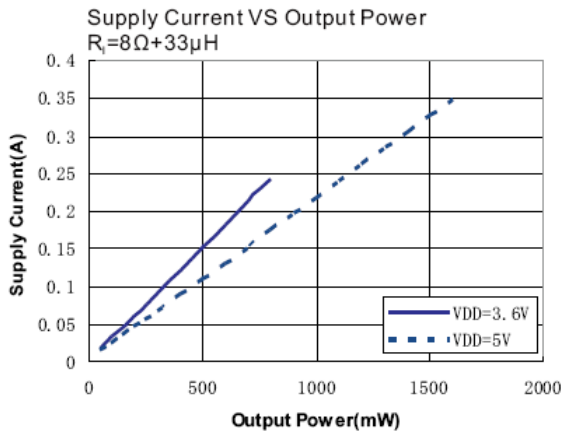
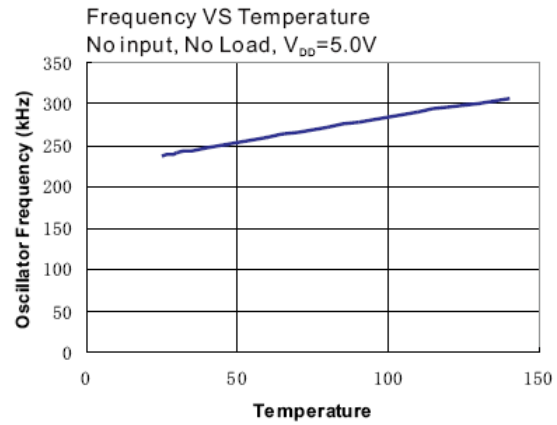
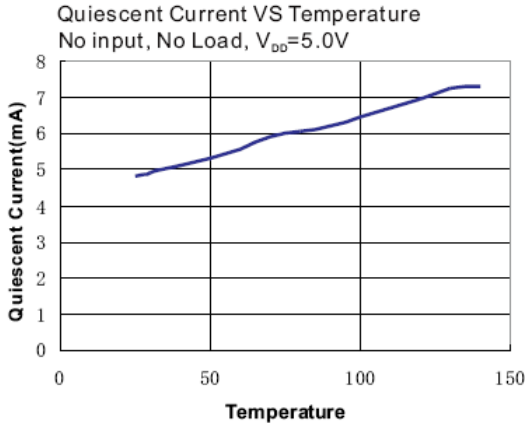
## Electrical Characteristics (@ $T_A = +25^\circ\text{C}$ , $V_{IN} = 3.6\text{V}$ , $V_O = 1.8\text{V}$ , $C_{IN} = 10\mu\text{F}$ , $C_{OUT} = 10\mu\text{F}$ , $L = 4.7\mu\text{H}$ , unless otherwise specified.)

Parameter	Symbol	Test Conditions	Min	Typ	Max	Units	
Supply Voltage Range	$V_{DD}$		2.5		5.5	V	
Quiescent Current	$I_Q$	No Load		4	8	mA	
Shutdown Current	$I_{SHDN}$	$V_{SHDN} = 0\text{V}$			1	$\mu\text{A}$	
Output Power	$P_O$	f = 1kHz, $R_L = 4\Omega$ , THD+N = 10%	$V_{DD} = 5\text{V}$	2.25	2.50	W	
			$V_{DD} = 3.6\text{V}$	1.10	1.25		
		f = 1kHz, $R_L = 4\Omega$ , THD+N = 1%	$V_{DD} = 5\text{V}$	1.80	2.00		
			$V_{DD} = 3.6\text{V}$	0.86	0.95		
		f = 1kHz, $R_L = 8\Omega$ , THD+N = 10%	$V_{DD} = 5\text{V}$	1.35	1.50		
			$V_{DD} = 3.6\text{V}$	0.72	0.80		
		f = 1kHz, $R_L = 8\Omega$ , THD+N = 1%	$V_{DD} = 5\text{V}$	1.15	1.30		
			$V_{DD} = 3.6\text{V}$	0.6	0.65		
Peak Efficiency	$\eta$	f = 1kHz		85	88	%	
Total Harmonic Distortion Plus Noise	THD+N	$R_L = 8\Omega$ , $P_O = 0.1\text{W}$ , f = 1kHz		0.30	0.35	%	
		$R_L = 8\Omega$ , $P_O = 0.5\text{W}$ , f = 1kHz		0.45	0.50		
		$R_L = 4\Omega$ , $P_O = 0.1\text{W}$ , f = 1kHz		0.35	0.40		
		$R_L = 4\Omega$ , $P_O = 0.5\text{W}$ , f = 1kHz		0.40	0.45		
Gain	$G_V$		22.5	24.0	25.5	dB	
Power Supply Ripple Rejection	PSRR	No Inputs, f = 1kHz, $V_{PP} = 200\text{mV}$	45	50		dB	
Dynamic Range	DYN	f = 20 to 20kHz	85	90		dB	
Signal to Noise Ratio	SNR	f = 20 to 20kHz	75	80		dB	
Noise	$V_N$	No A-Weighting		180	300	$\mu\text{V}$	
		A-Weighting		120	200		
Oscillator Frequency	$f_{OSC}$		200	250	300	kHz	
Drain-Source On-State Resistance	$R_{DS(ON)}$	$I_{DS} = 100\text{mA}$	P MOSFET		0.45	0.50	$\Omega$
			N MOSFET		0.20	0.25	
SHDN Input High	$V_{SH}$		1.2			V	
SHDN Input Low	$V_{SL}$				0.4		
Over Temperature Protection	OTP	Junction Temperature	120	135		°C	
Over Temperature Hysteresis	OTH			30		°C	

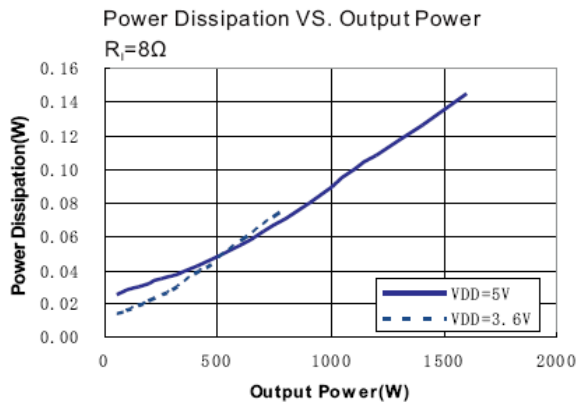
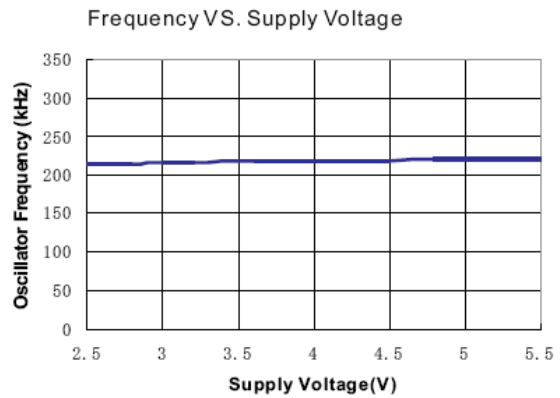
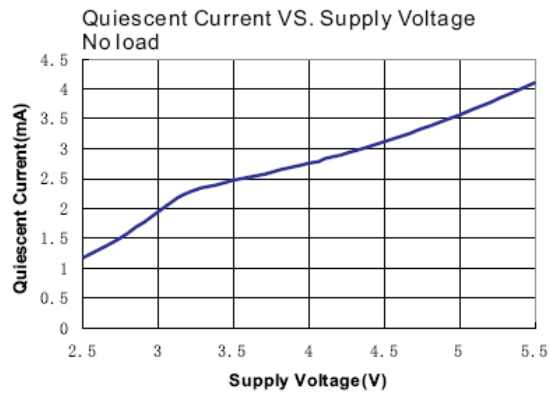
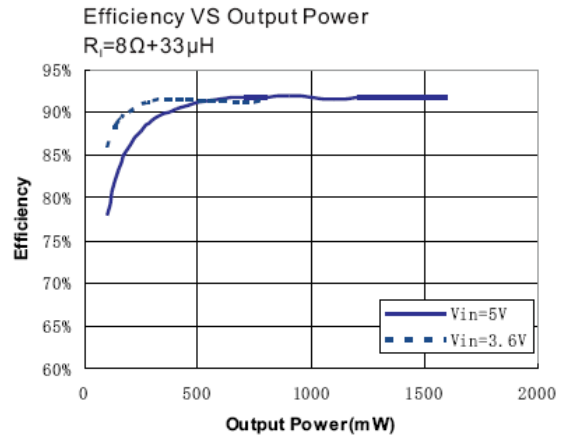
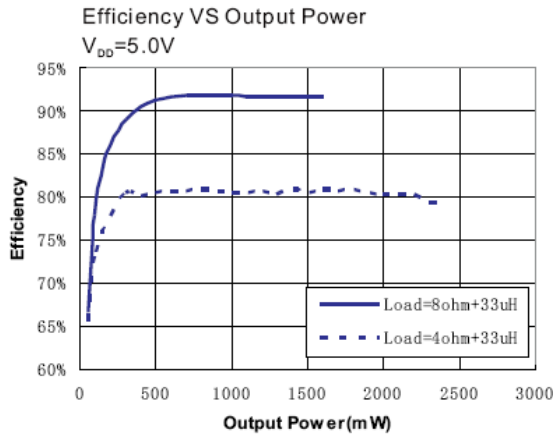
**Typical Performance Characteristics** (@ $T_A = +25^\circ\text{C}$ , unless otherwise specified.)



**Typical Performance Characteristics** (cont.) (@ $T_A = +25^\circ\text{C}$ , unless otherwise specified.)

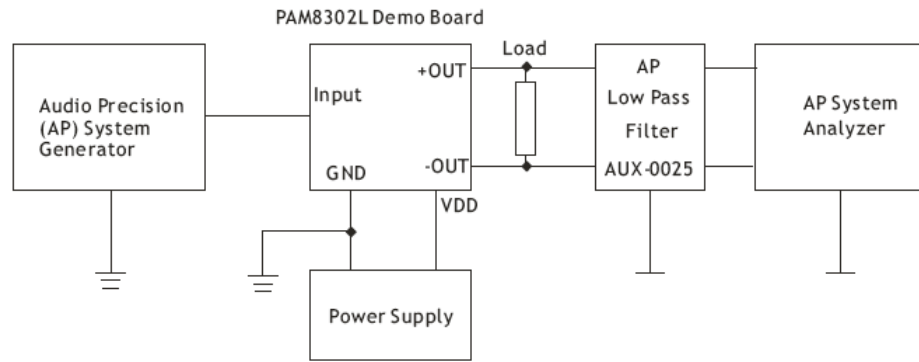


**Typical Performance Characteristics** (cont.) (@ $T_A = +25^\circ\text{C}$ , unless otherwise specified.)



## Application Information

### Test Setup for Performance Testing



- Notes:
1. The Audio Precision (AP) AUX-0025 low pass filter is necessary for every Class-D amplifier measurement with AP analyzer.
  2. Two 22μH inductors are used in series with load resistor to emulate the small speaker for efficiency measurement.

### Maximum Gain

As shown in block diagram (Page 2), the PAM8302L has two internal amplifier stages. The first stage's gain is externally configurable, while the second stage's is internally fixed. The closed-loop gain of the first stage is set by selecting the ratio of  $R_F$  to  $R_I$  while the second stage's gain is fixed at 2x. The output of amplifier one serves as the input to amplifier two, thus the two amplifiers produce signals identical in magnitude, but different in phase by 180°. Consequently, the differential gain for the IC is

$$A = 20 \cdot \log [2 \cdot (R_F/R_I)]$$

The PAM8302L sets maximum  $R = 80\text{k}\Omega$ , minimum  $R_I = 10\text{k}\Omega$ , so the maximum closed-gain is 24dB.

### Input Capacitor ( $C_I$ )

In typical application, an input capacitor,  $C_I$  is required to allow the amplifier to bias input signals to a proper DC level for optimum operation. In this case,  $C_I$  and the minimum input impedance  $R_I$  (10k internal) form a high pass filter with a corner frequency determined by the following equation:

$$f_c = \frac{1}{2\pi R_I C_I}$$

It is important to choose the value of  $C_I$  as it directly affects low frequency performance of the circuit, for example, when an application requires a flat bass response as low as 100Hz. Equation is reconfigured as follows:

$$C_I = \frac{1}{2\pi R_I f_l}$$

As the input resistance is variable, for the  $C_I$  value of 0.16μF, one should actually choose the  $C_I$  within the range of 0.1μF to 0.22μF. A further consideration for this capacitor is the leakage path from the input source through the input network ( $R_I$ ,  $R_F$ ,  $C_I$ ) to the load. This leakage current creates a DC offset voltage at the input to the amplifier that reduces useful headroom, especially in high gain application. For this reason, a low leakage tantalum or ceramic capacitor is the best choice. When a polarized capacitor is used, the positive side of the capacitor should face the amplifier input in most applications as the DC level is held at  $V_{DD}/2$ , which is likely higher than the source DC level. Please note that it is important to confirm the capacitor polarity in the application.

## Application Information (cont.)

### Power Supply Decoupling (C<sub>s</sub>)

The PAM8302L is a high-performance CMOS audio amplifier that requires adequate power supply decoupling to ensure the output THD and PSRR as low as possible. Power supply decoupling affects low frequency response. Optimum decoupling is achieved by using two capacitors of different types that target different types of noise on the power supply leads. For higher frequency transients, spikes, or digital hash on the line, a good low equivalent-series-resistance (ESR) ceramic capacitor, typically 1.0 $\mu$ F is good, placing it as close as possible to the device V<sub>DD</sub> terminal. For filtering lower frequency noise signals, capacitor of 10 $\mu$ F or larger, closely located to near the audio power amplifier is recommended.

### Shutdown Operation

In order to reduce shutdown power consumption, the PAM8302L contains shutdown circuitry for turn to turn off the amplifier. This shutdown feature turns the amplifier off when a logic low is applied on the  $\overline{SD}$  pin. By switching the shutdown pin over to GND, the PAM8302L supply current draw will be minimized in idle mode.

**For the best power on/off pop performance, the amplifier should be set in the shutdown mode prior to power on/off operation.**

### Under Voltage Lock-Out (UVLO)

The PAM8302L incorporates circuitry to detect low on or off voltage. When the supply voltage drops to 2.1V or below, the PAM8302L goes into a state of shutdown, and the device comes out of its shutdown state to normal operation by reset the power supply or SD pin.

### How to Reduce EMI (Electro Magnetic Interference)

A simple solution is to put an additional capacitor 1000 $\mu$ F at power supply terminal for power line coupling if the traces from amplifier to speakers are short (< 20CM). Most applications require a ferrite bead filter as shown at Figure 1. The ferrite filter depresses EMI of around 1MHz and higher. When selecting a ferrite bead, choose one with high impedance at high frequencies and low impedance at low frequencies.

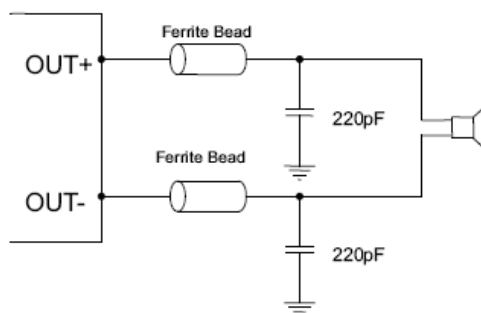
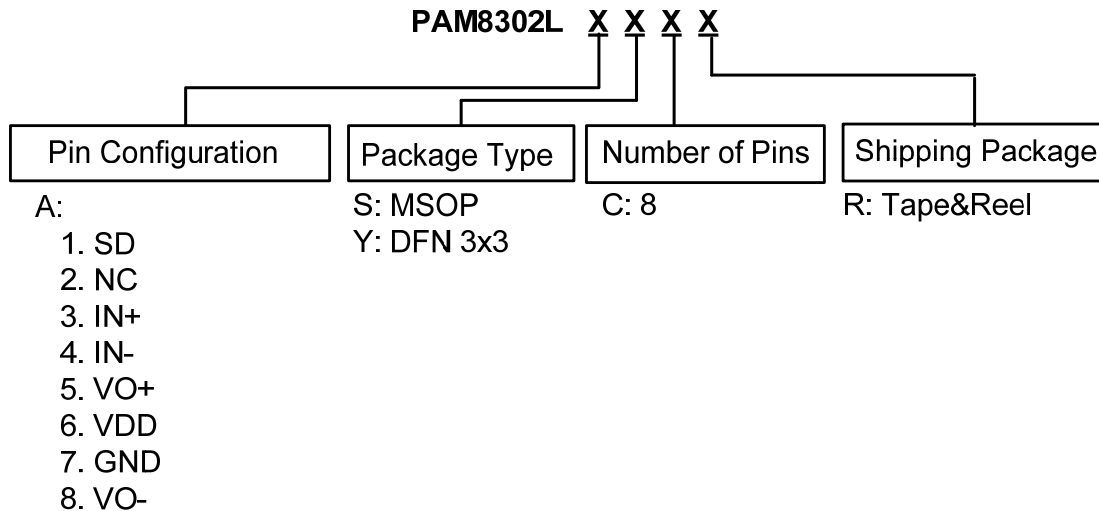


Figure 1. Ferrite Bead Filter to Reduce EMI

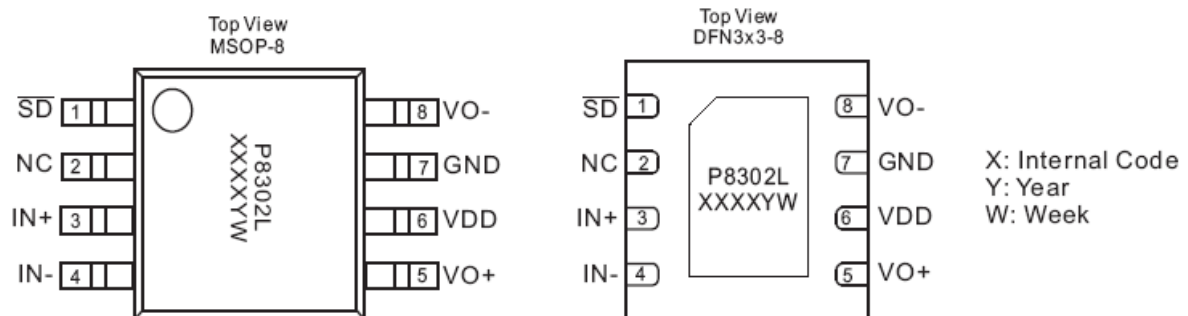


## Ordering Information



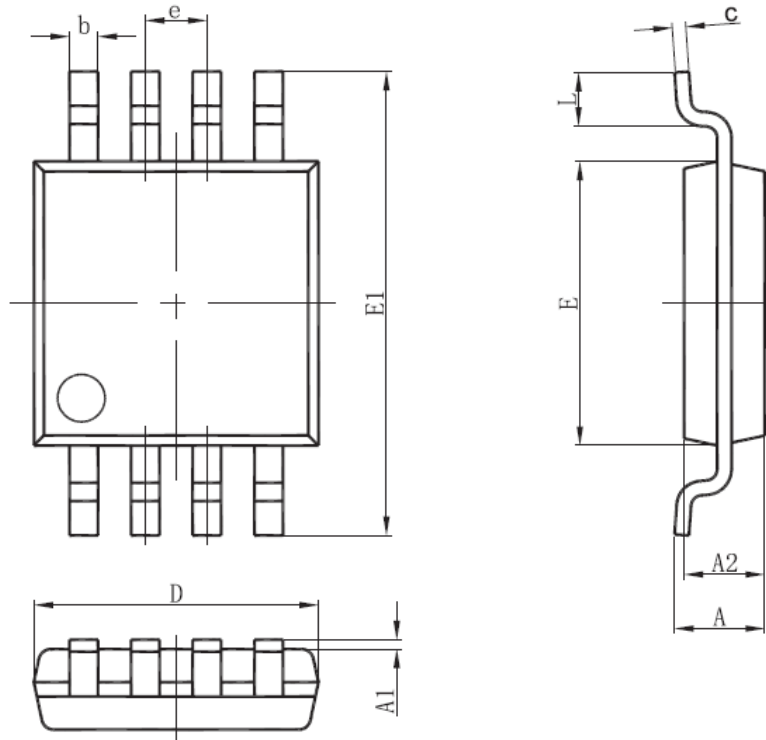
Part Number	Package Type	Standard Package
PAM8302LASCR	MSOP-8	2500 Units/Tape&Reel
PAM8302LAYCR	DFN3x3-8	3000 Units/Tape&Reel

## Marking Information



**Package Outline Dimensions** (All dimensions in mm.)

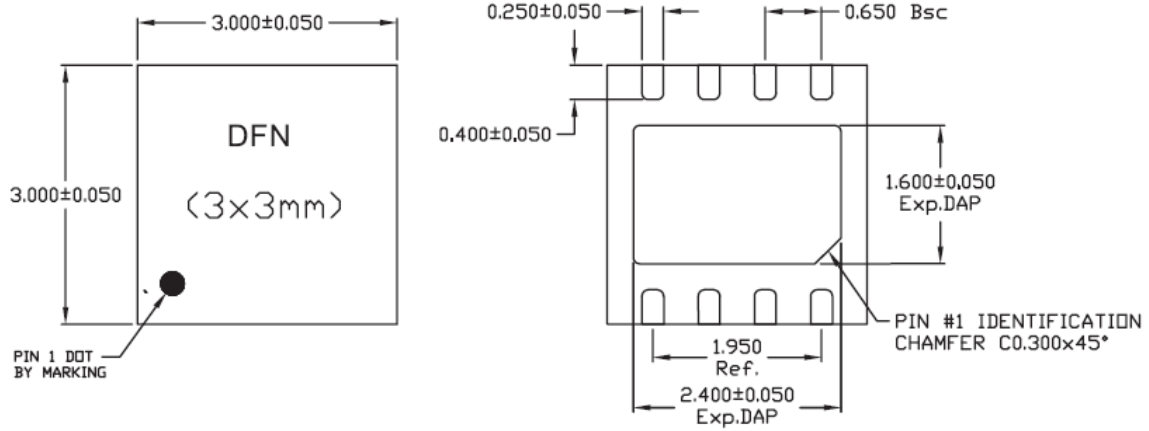
MSOP-8



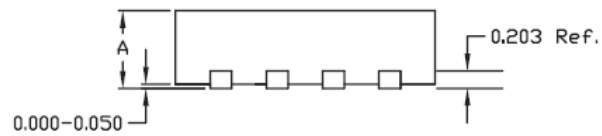
REF	Millimeter	
	Min	Max
A	--	1.10
A1	0.05	0.15
A2	0.78	0.94
b	0.22	0.38
c	0.08	0.23
D	2.90	3.10
E	2.90	3.10
E1	4.75	5.05
e	0.65BSC	
L	0.40	0.70

**Package Outline Dimensions** (cont.) (All dimensions in mm.)

**DFN3x3-8**



A	MAX.	0.800
	NOM.	0.750
	MIN.	0.700



Note: All dimensions are in Millimeters.

**IMPORTANT NOTICE**

DIODES INCORPORATED MAKES NO WARRANTY OF ANY KIND, EXPRESS OR IMPLIED, WITH REGARDS TO THIS DOCUMENT, INCLUDING, BUT NOT LIMITED TO, THE IMPLIED WARRANTIES OF MERCHANTABILITY AND FITNESS FOR A PARTICULAR PURPOSE (AND THEIR EQUIVALENTS UNDER THE LAWS OF ANY JURISDICTION).

Diodes Incorporated and its subsidiaries reserve the right to make modifications, enhancements, improvements, corrections or other changes without further notice to this document and any product described herein. Diodes Incorporated does not assume any liability arising out of the application or use of this document or any product described herein; neither does Diodes Incorporated convey any license under its patent or trademark rights, nor the rights of others. Any Customer or user of this document or products described herein in such applications shall assume all risks of such use and will agree to hold Diodes Incorporated and all the companies whose products are represented on Diodes Incorporated website, harmless against all damages.

Diodes Incorporated does not warrant or accept any liability whatsoever in respect of any products purchased through unauthorized sales channel. Should Customers purchase or use Diodes Incorporated products for any unintended or unauthorized application, Customers shall indemnify and hold Diodes Incorporated and its representatives harmless against all claims, damages, expenses, and attorney fees arising out of, directly or indirectly, any claim of personal injury or death associated with such unintended or unauthorized application.

Products described herein may be covered by one or more United States, international or foreign patents pending. Product names and markings noted herein may also be covered by one or more United States, international or foreign trademarks.

This document is written in English but may be translated into multiple languages for reference. Only the English version of this document is the final and determinative format released by Diodes Incorporated.

**LIFE SUPPORT**

Diodes Incorporated products are specifically not authorized for use as critical components in life support devices or systems without the express written approval of the Chief Executive Officer of Diodes Incorporated. As used herein:

A. Life support devices or systems are devices or systems which:

1. are intended to implant into the body, or
2. support or sustain life and whose failure to perform when properly used in accordance with instructions for use provided in the labeling can be reasonably expected to result in significant injury to the user.

B. A critical component is any component in a life support device or system whose failure to perform can be reasonably expected to cause the failure of the life support device or to affect its safety or effectiveness.

Customers represent that they have all necessary expertise in the safety and regulatory ramifications of their life support devices or systems, and acknowledge and agree that they are solely responsible for all legal, regulatory and safety-related requirements concerning their products and any use of Diodes Incorporated products in such safety-critical, life support devices or systems, notwithstanding any devices- or systems-related information or support that may be provided by Diodes Incorporated. Further, Customers must fully indemnify Diodes Incorporated and its representatives against any damages arising out of the use of Diodes Incorporated products in such safety-critical, life support devices or systems.

Copyright © 2012, Diodes Incorporated

[www.diodes.com](http://www.diodes.com)