

PAS5351, PAS5361 EPON Burst Receiver

Gigabit Ethernet PON Burst Receiver for CO and OLT Transceiver Applications

Preliminary
Product Brief

GENERAL DESCRIPTION

The PAS5351 and the PAS5361 create a Gigabit Ethernet PON Optical Line Terminal (OLT) optical burst receiver dedicated for use in Gigabit Ethernet Passive Optical Network (IEEE 802.3ah EPON) transceivers. The PAS5351 provides the burst-mode Trans-Impedance Amplifier (TIA) function and the PAS5361 provides the burst-mode Limiting Amplifier (LIA) function.

A transceiver based on the PAS5351 and the PAS5361 is compatible with EPON 1000Base-PX20 burst mode applications.

The PAS5351 and the PAS5361 with the PAS5201 EPON MAC SoC and the integrated software package provide a complete EPON OLT solution.

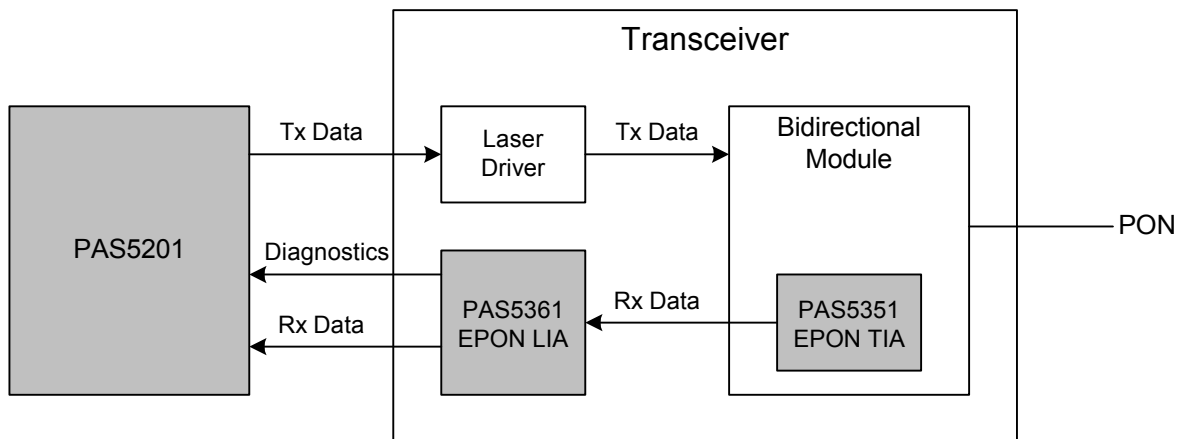
CHIPSET BENEFITS

- EPON OLT-compliant, burst-mode TIA and LIA
- IEEE 802.3ah 1000Base-PX20 compliant
- Supports PIN photodiode and Avalanche photodiode (APD)
- Embedded PON diagnostics function
- Low count of external components
- Signal sensitivity of more than -30 dBm @ 10-12
- Dynamic range of more than 20 dB
- Single 3.3-V power supply

INTERFACES

- LVCMC differential output, AC-coupled or DC-coupled
- Direct photodiode data input
- LVCMC differential intra-connection, DC-coupled
- Signal diagnostic interface

OLT TRANSCEIVER EXAMPLE



FURTHER RESOURCES

www.pmc-sierra.com/passave/

www.pmc-sierra.com/ftth-pon/

www.DataSheet4U.com

Corporate Head Office:
PMC-Sierra, Inc.
Mission Towers One
3975 Freedom Circle
Santa Clara, CA, 95054, U.S.A.
Tel: 1.408.239.8000
Fax: 1.408.492.1157

Operations Head Office:
PMC-Sierra, Inc.
100-2700 Production Way
Burnaby, BC V5A 4X1 Canada
Tel: 1.604.415.6000
Fax: 1.604.415.6200

PMC-2061806 [P1] © Copyright PMC-Sierra, Inc. 2006. All rights reserved. For a complete list of PMC-Sierra's trademarks, visit www.pmc-sierra.com/legal/. Other product and company names mentioned herein may be the trademarks of their respective owners. For corporate information, send email to: info@pmc-sierra.com. All product documentation is available on our web site at: www.pmc-sierra.com.

PMC
PMC - SIERRA
www.DataSheet4U.com