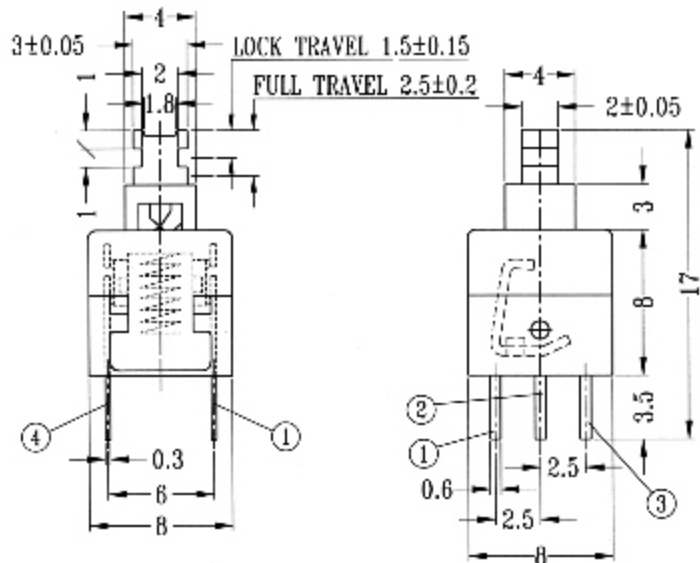
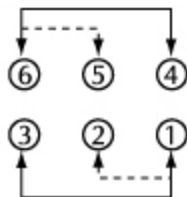


PB-22E08
(SELF-LOCK)
PB-22E18
(NON-LOCK)



CIRCUIT DIAGRAM



SPECIFICATIONS

Rating : 0.1A 30V DC
 Function:2P2T
 Operation Force 200±100gf