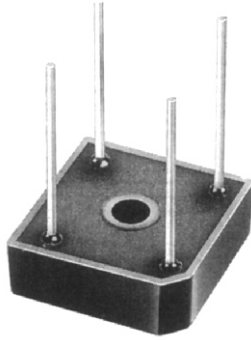


PB6 SERIES KBPC6 SERIES

SINGLE-PHASE SILICON BRIDGE



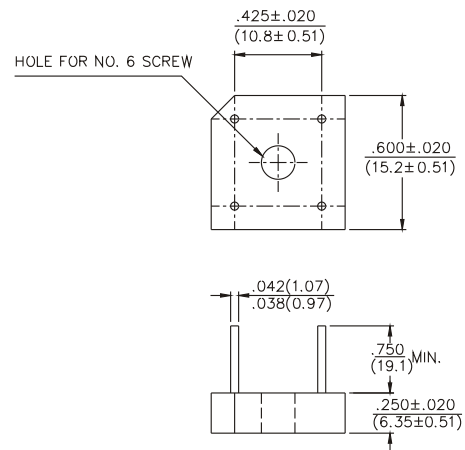
CHENG-YI ELECTRONIC



FEATURES

- Surge overload rating-150 amperese peak
- Low forward voltage drop
- Small size, simple installation
- Silver plated copper leads
- Mounting position:Any
- Plastic material has UL flammability classification 94V-0
- UL recognized file # E149311
- Lead solderable per MIL-STD-202 method 208
- Electrically isolated base 1800Volts

VOLTAGE RANGE
50 TO 1000 VOLTS
CURRENT
3.0 Amperes



Polarity shown on side of case;
positive lead by beveled corner.

Dimensions in inches and (millimeters)

MAXIMUM RATINGS AND ELECTRICAL CHARACTERISTICS

Ratings at 25°C ambient temperature unless otherwise specified.
Single phase, half wave, 60Hz, resistive or inductive load.
For capacitive load, derate current by 20%.

| | | PB605 | PB61 | PB62 | PB64 | PB66 | PB68 | PB610 | UNITS |
|--|-----------------|----------|---------|---------|-------------|---------|---------|---------|------------------|
| | | KBPC6005 | KBPC601 | KBPC602 | KBPC604 | KBPC606 | KBPC608 | KBPC610 | |
| Maximum Recurrent Peak Reverse Voltage | V_{RRM} | 50 | 100 | 200 | 400 | 600 | 800 | 1000 | V |
| Maximum RMS Bridge Input Voltage | V_{RMS} | 35 | 70 | 140 | 280 | 420 | 560 | 700 | V |
| Maximum DC Blocking Voltage | V_{DC} | 60 | 100 | 200 | 400 | 600 | 800 | 1000 | V |
| Maximum Average Forward Output Current | $V_{(AV)}$ | | | | 8.0 6.0 | | | | A A |
| Peak Forward Surge Current 8.3 ms single half sine-wave superimposed on rated load | I_{FSM} | | | | 150 | | | | A |
| Maximum DC Forward Voltage drop per element at 3.0A DC | V_F | | | | 1.1 | | | | V |
| Maximum DC Reverse Current at rated DC Blocking Voltage Per Element | I_R | | | | 10 1 | | | | μ A mA |
| I^2t Rating for fusing($t < 8.3ms$) | I^2t | | | | 64 | | | | A ² S |
| Typical Thermal Resistance | $R_{\theta JC}$ | | | | 8 | | | | °C/W |
| Operating Temperature Range | T_J | | | | -55 to +125 | | | | °C |
| Storage Temperature Range | T_{STG} | | | | -55 to +150 | | | | °C |

PB6 SERIES KBPC6 SERIES

SINGLE-PHASE SILICON BRIDGE



**CHENG-YI
ELECTRONIC**

RATING AND CHARACTERISTICS CURVES KBPC6 SERIES

Fig.1 - DERATING CURVE FOR
OUTPUT RECTIFIED CURRENT

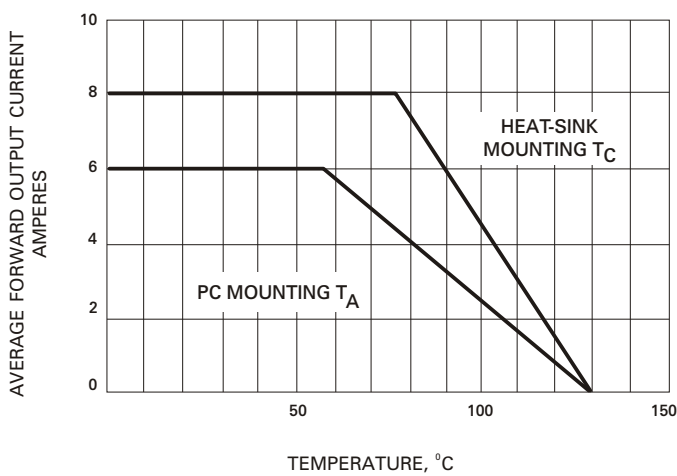


Fig.2 - TYPICAL REVERSE
CHARACTERISTICS

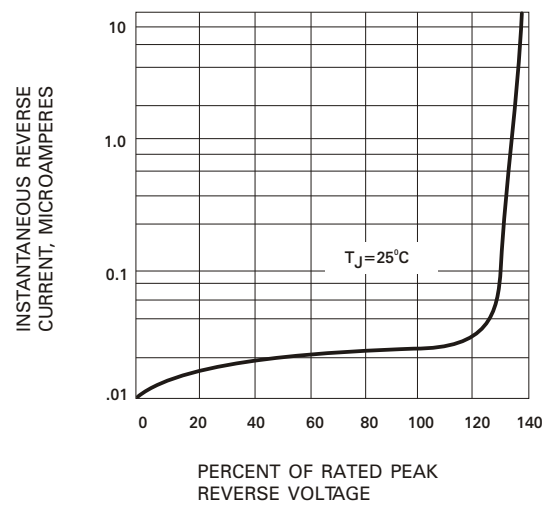


Fig.3 - MAXIMUM FORWARD SURGE CURRENT

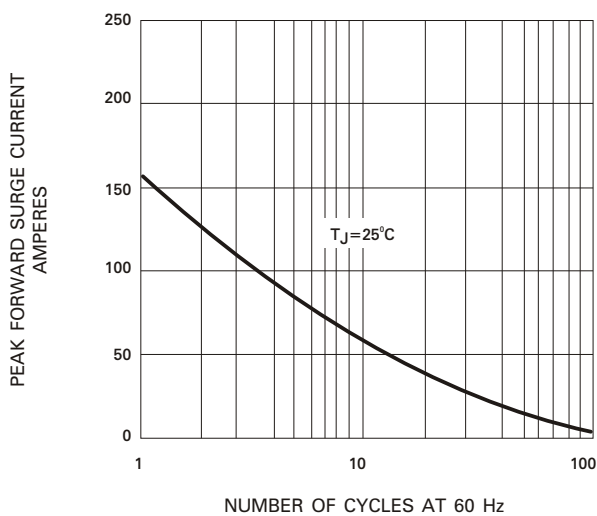


Fig.4 - TYPICAL INSTANTANEOUS FORWARD
CHARACTERISTICS

