

PC-TFT-35VX

Interface Board

Features

- Used for TFT-LCD Display: 3.5" AND-TFT-35VX
- Auto-detect input signal when power on
- Input Signal: D-Sub VGA Signal, Dual Composite Video Channels and S-Video
- Operating Temperature: 0°C ~ 60°C
- Storage Temperature: -20°C ~ 80°C
- **RoHS Compliant**

The PC-TFT-35VX interface board is designed to work with the **AND-TFT-35VX** color TFT 3.5" display and together is suitable for security, video games, door phone, video phone, portable TV, and instrument display applications.

Module Photo



Product specifications contained herein may be changed without prior notice.
It is therefore advisable to contact Purdy Electronics before proceeding with the design of equipment incorporating this product.

Input/Output Terminals

- J12 Output to Panel Signal Terminal (50FPC)
- J4 Outside Signal Input Terminal (14 pin), Connector: Molex 53261-1471
- J3 Video2 Input Terminal (2 pin) optional
- J5 Control Signal Input Terminal (10 pin), Molex 53261-1071

Pin No.	Pin Name	I/O	Pin Description	Remarks
1	GND	I	Ground	-
2	VSYNC	I	VSYNC input for RGB input	-
3	HSYNC	I	HSYNC input for RGB input	-
4	GND	I	Ground	-
5	B	I	Video BLUE input	-
6	G	I	Video GREEN input	-
7	R	I	Video RED input	-
8	GND	I	Ground	-
9	S-C	I	S-video Chroma input	-
10	S-Y	I	S-video luma input	-
11	VIDEO1	I	Composite Video 1	-
12	GND	I	Ground	-
13	GND	I	Ground	-
14	V _{CC}	I	5V	4.8V – 5.2V

- J5 Control Signal Input/Output Terminal
Connector: Molex 53261-1071 or Compatibility

Pin No.	Pin Name	I/O	Pin Description	Remarks
1	LED	O	Red Lamp	-
2	LED	O	Green Lamp	-
3	SENSOR	I	Remote Sensor	-
4	GND	I	Ground	-
5	3.3V	O	+3.3V	-
6	ON/OFF	I	Power On/Off	-
7	MENU	I	Menu	-
8	DOWN	I	Down	-
9	UP	I	Up	-
10	ENTER	I	Enter	-

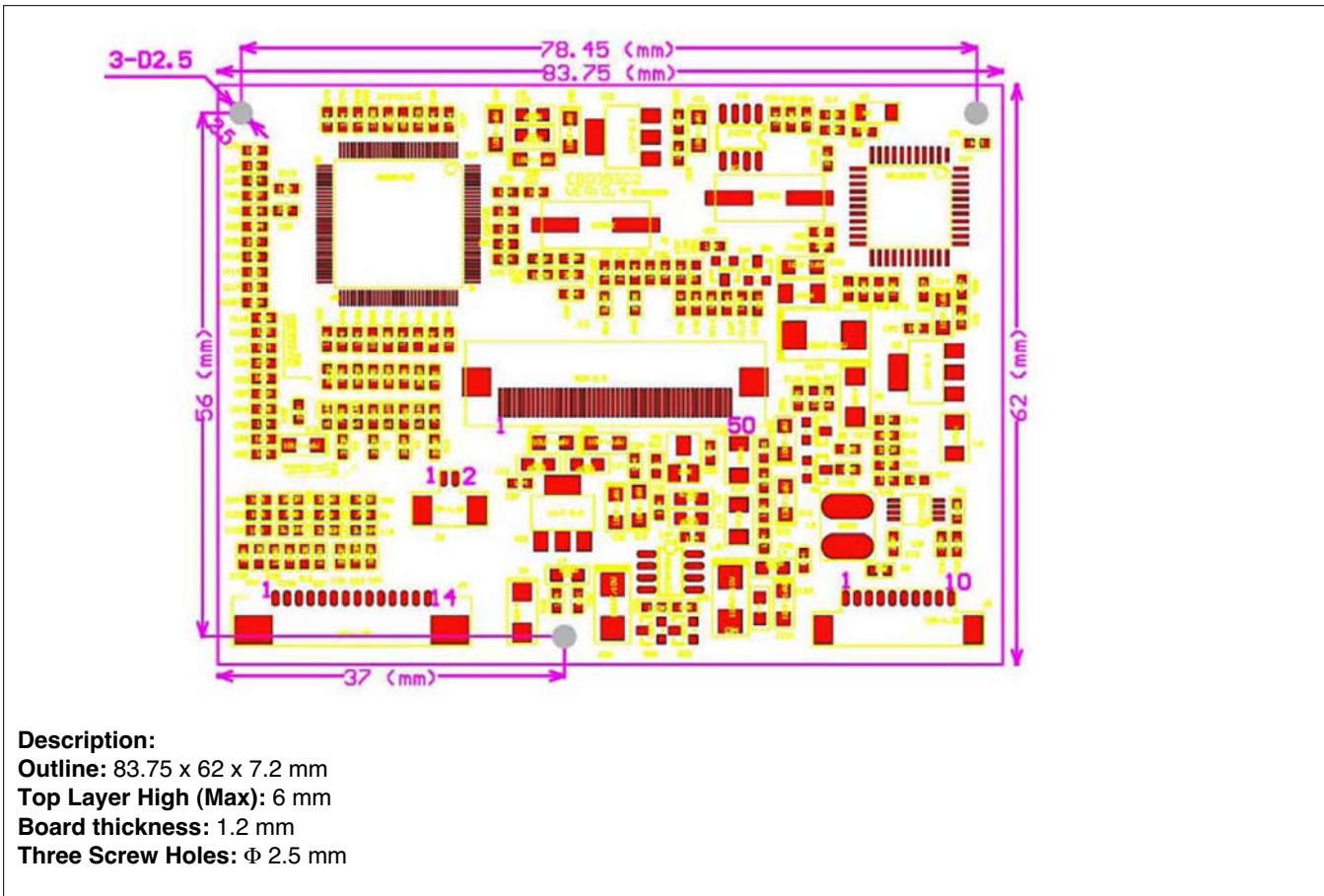
- J3 VIDEO2 Input Terminal (Optional)
Connector: Molex 53261-0271 or compatible

Pin No.	Pin Name	I/O	Pin Description	Remarks
1	GND	I	Ground	-
2	VIDEO2	I	Composite Video2	-

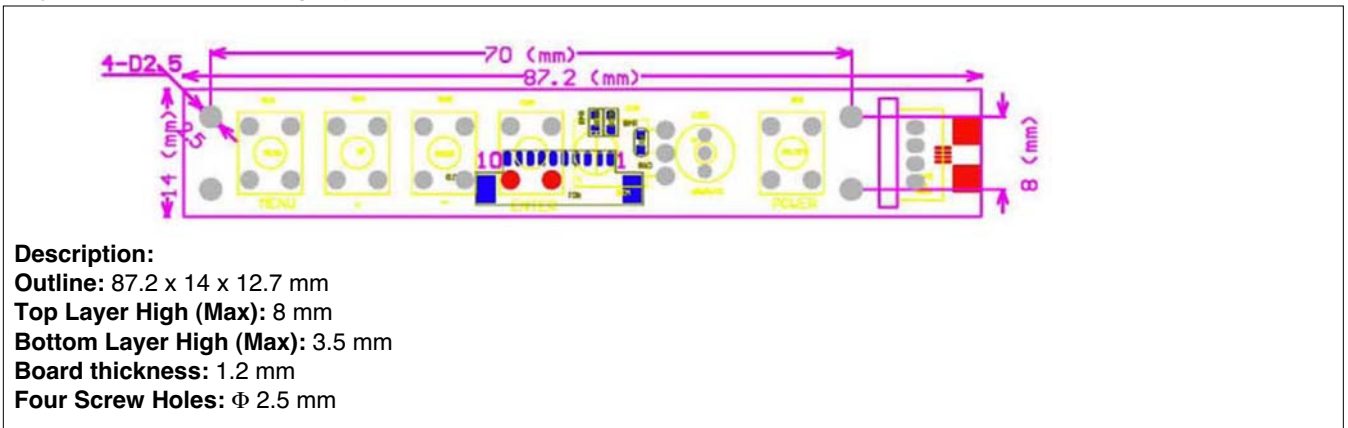
Electronic Characteristics

Symbol	I/O	Conditions	Min.	Typ.	Max.	Unit
V in	I	DC(+)	4.8	5	5.2	V
I in		DC(+5V)	400	450	500	mA
P in					2.25	

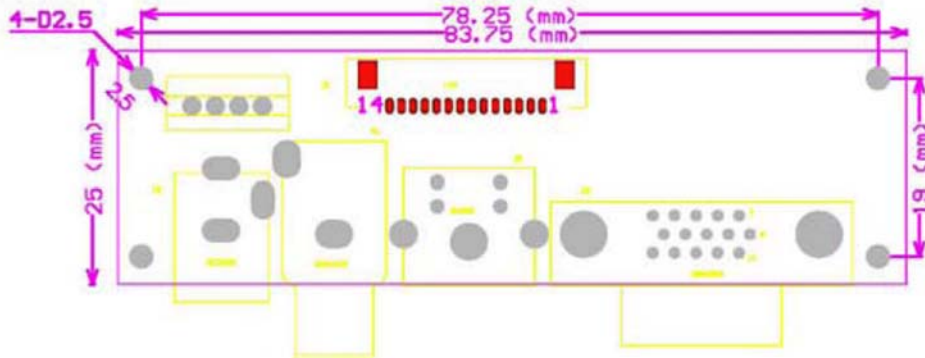
Driver Board Outline Drawing



Keyboard Outline Drawing (Optional)



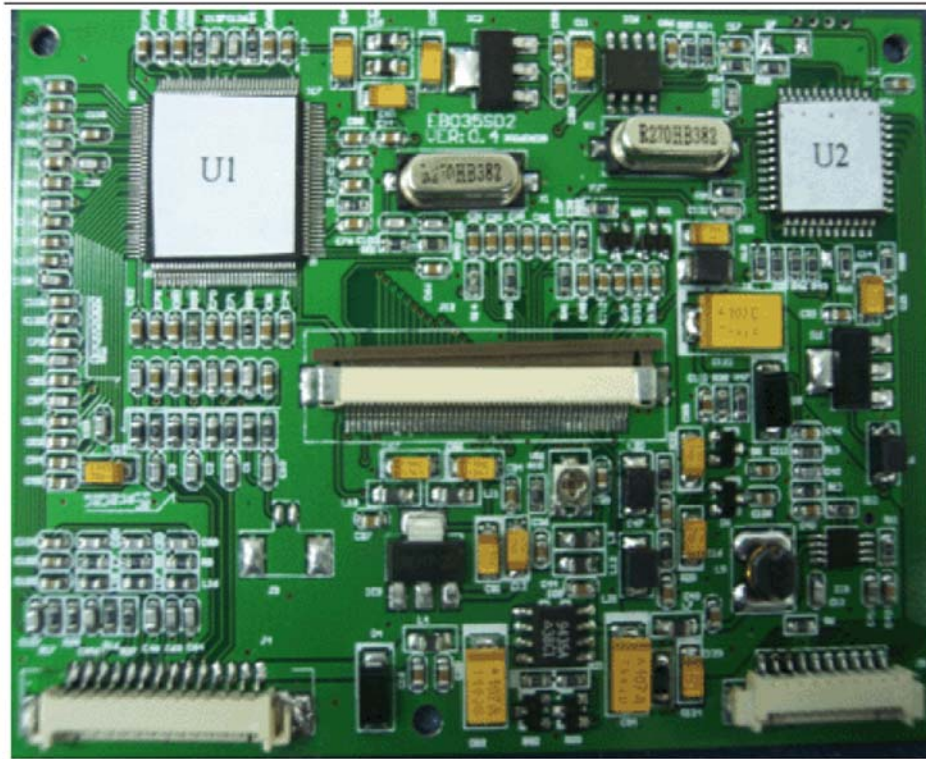
I/O Outline Drawing (Optional)



Description:

- Outline:** 83.75 x 25 x 19.7 mm
- Top Layer High (Max):** 15 mm
- Bottom Layer High (Max):** 3.5 mm
- Board thickness:** 1.2 mm
- Four Screw Holes:** Φ 2.5 mm

Item List: Driver Board & Cable for Demo Kit



14 Wire

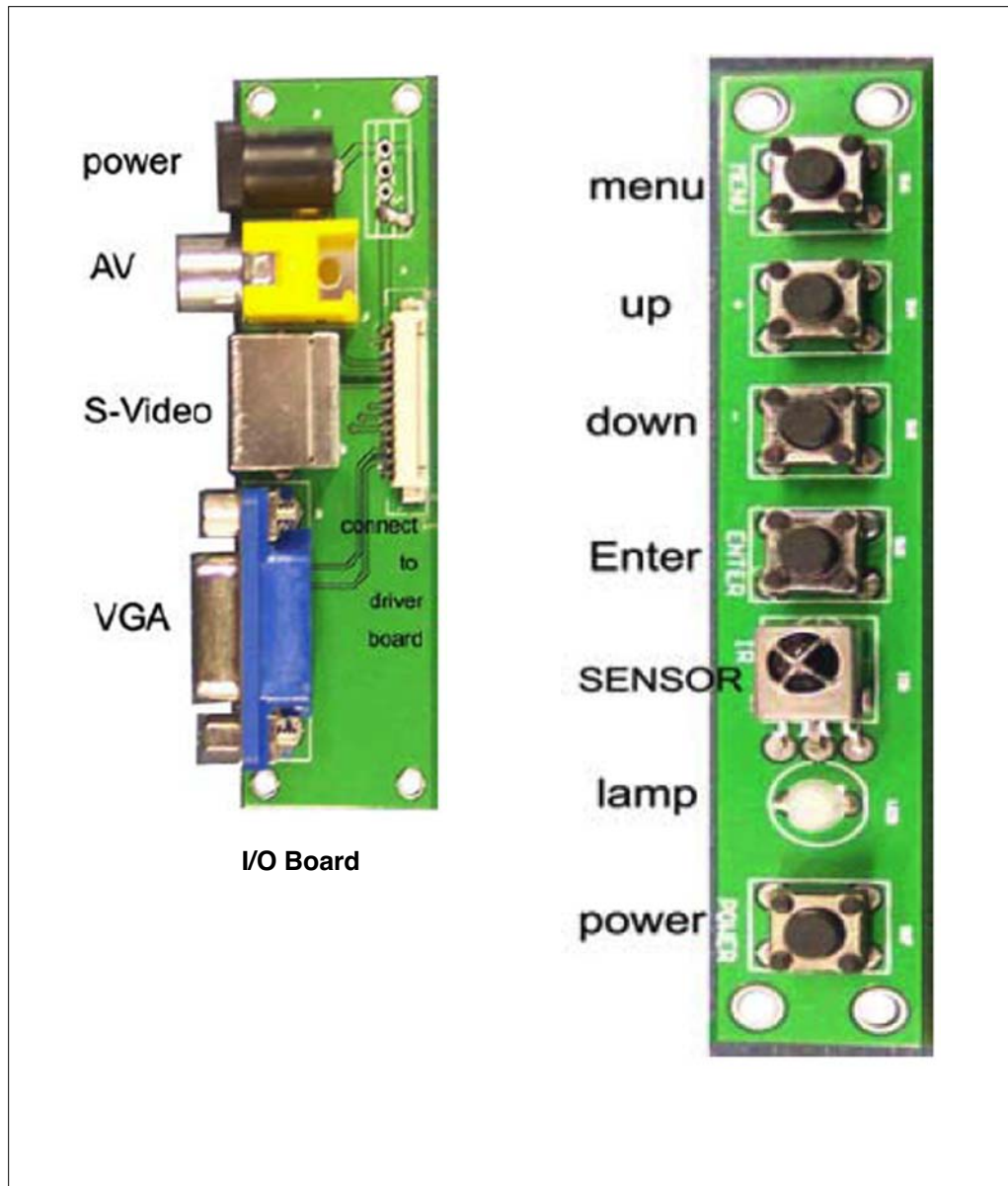
10 Wire



J4

J5

Item List: Driver Board & Cable for Demo Kit



I/O Board

Connector	Description
Power (J6)	(- + +5V center pin)
AV (J7)	RCA jack (signal center pin)
S-Video (J8)	Optional
VGA (J2)	DB15 (PC Input)
Interface (J1)	14 wire Interface

Keyboard

Name	Location	Function
Power	SW1	On/Off
Lamp	LED	Indicator
Sensor	IC1	Optional
Enter	SW2	Select
Down	SW3	Decrement
Up	SW4	Increment
Menu	SW5	Brightness, Contrast, Color, Tint, Sharpness