

# POWER WIRE WOUND CHOKE COIL    PC SERIES

## *Data Sheet*

Customer: \_\_\_\_\_

Product: Power Wire Wound Choke Coil – PC Series \_\_\_\_\_

Size : 0808/0908/1212 \_\_\_\_\_

Issued Date: 20-Nov.-2015 \_\_\_\_\_

Edition: Ver. 1 \_\_\_\_\_

### Record of change

Date	Ver.	Description	Page
20-Nov.-2015	1		

### **HITANO ENTERPRISE CORP.**

7F-7, No. 3, Wu Chuan 1<sup>st</sup> Road, New Taipei Industrial Park,  
New Taipei City, TAIWAN, R.O.C.

Tel: +886 2 2299 1331 (Rep.)

Fax: +886 2 2298 2466, 2298 2969

Prepared by	Checked by	Approved by	Accepted by (customer)
20-Nov.-2015	20-Nov.-2015	20-Nov.-2015	
<i>Andy Hsu</i>	<i>Hwa Wu</i>	<i>Hwa Wu</i>	

# POWER WIRE WOUND CHOKE COIL PC SERIES

## ■ Introduction

The PC series is designed with high reliability efficiency and saturation for circuit require high current rating.

## ■ Features

- \* High current rating for high current circuit.
- \* High reliability efficiency and saturation.
- \* Designed by special lead wire to prevent open circuit failure.
- \* UL compliant tube sleeved.

## ■ Part Number

<b>PC</b>	<b>0808</b>	<b>M</b>	<b>1R0</b>	<b>M</b>	□□
(1)	(2)	(3)	(4)	(5)	(6)

- (1) **Product name** : PC series
- (2) **Shapes and dimensions**: Refer to the following pages
- (3) **Type** : M type and I type (refer to Fig. 1)
- (4) **Inductance**: 3 digits, Example : 1R0 = 1.0uH, 100 = 10uH, 101 = 100uH, 102 = 1000uH
- (5) **Tolerance** : K: ±10%, M: ±20% (special tolerance available on request)
- (6) **Internal Code**

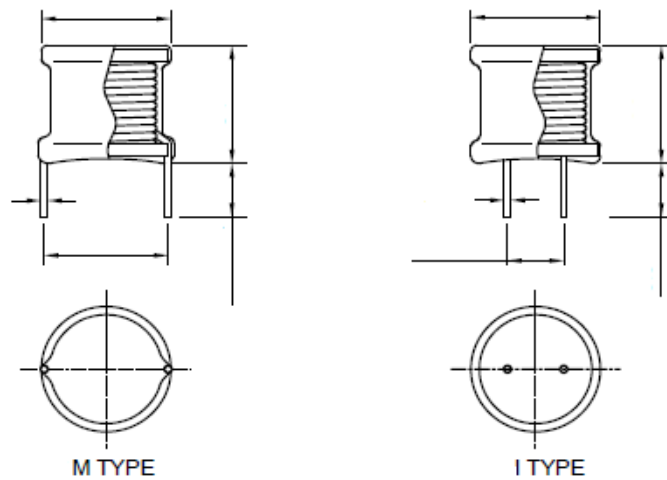


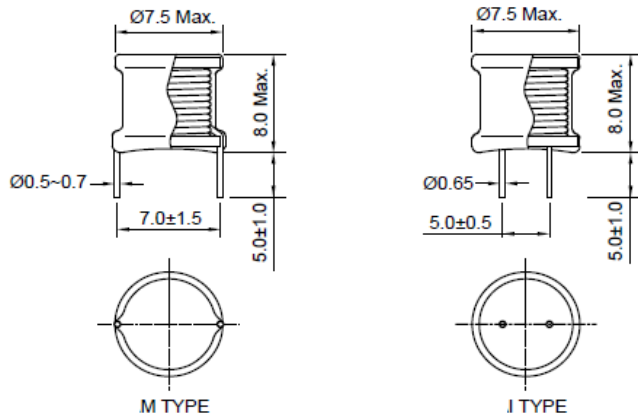
Fig. 1

# POWER WIRE WOUND CHOKE COIL PC SERIES

## PC0808

### 1. MECHANICAL DIMENSION

unit : mm



### 2. ELECTRICAL

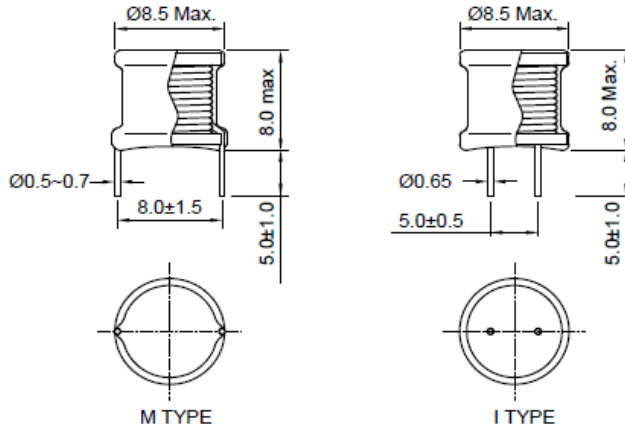
Part No.	Inductance uH(at 1KHz)	Q value Min.	Test Freq. (MHz)	SRF (MHz) Min.	DCR (Ω) Max.	RDC (A) Max.
PC0808M-1R0M□□	1.0	20	7.90	70	0.007	6.60
PC0808M-1R5M□□	1.5	20	7.90	60	0.010	5.40
PC0808M-2R2M□□	2.2	20	7.90	45	0.015	4.50
PC0808M-3R3M□□	3.3	20	7.90	35	0.020	3.60
PC0808M-4R7M□□	4.7	20	7.90	30	0.025	3.10
PC0808M-6R8M□□	6.8	20	7.90	25	0.030	2.50
PC0808I-100K□□	10	20	2.50	20	0.045	2.10
PC0808I-120K□□	12	20	2.50	17	0.050	1.90
PC0808I-150K□□	15	20	2.50	15	0.065	1.70
PC0808I-180K□□	18	20	2.50	13	0.08	1.50
PC0808I-220K□□	22	20	2.50	12	0.10	1.40
PC0808I-270K□□	27	20	2.50	10	0.12	1.20
PC0808I-330K□□	33	20	2.50	9.2	0.14	1.10
PC0808I-390K□□	39	20	2.50	8.5	0.17	1.00
PC0808I-470K□□	47	20	2.50	7.5	0.21	0.95
PC0808I-560K□□	56	20	2.50	7.0	0.24	0.80
PC0808I-680K□□	68	20	2.50	6.5	0.28	0.75
PC0808I-820K□□	82	20	2.50	5.5	0.31	0.70
PC0808I-101K□□	100	20	0.79	5.0	0.35	0.65
PC0808I-121K□□	120	20	0.79	4.5	0.45	0.60
PC0808I-151K□□	150	20	0.79	4.0	0.56	0.53
PC0808I-181K□□	180	20	0.79	3.5	0.65	0.48
PC0808I-221K□□	220	20	0.79	3.2	0.72	0.44
PC0808I-271K□□	270	20	0.79	2.8	0.86	0.40
PC0808I-331K□□	330	20	0.79	2.5	1.10	0.36
PC0808I-391K□□	390	20	0.79	2.2	1.50	0.33
PC0808I-471K□□	470	20	0.79	2.0	1.70	0.30
PC0808I-561K□□	560	20	0.79	1.8	2.00	0.27
PC0808I-681K□□	680	20	0.79	1.7	2.50	0.25
PC0808I-821K□□	820	20	0.79	1.5	3.00	0.22
PC0808I-102K□□	1000	20	0.25	1.3	4.50	0.20

# POWER WIRE WOUND CHOKE COIL PC SERIES

## PC0908

### 1. MECHANICAL DIMENSION

unit : mm



### 2. ELECTRICAL

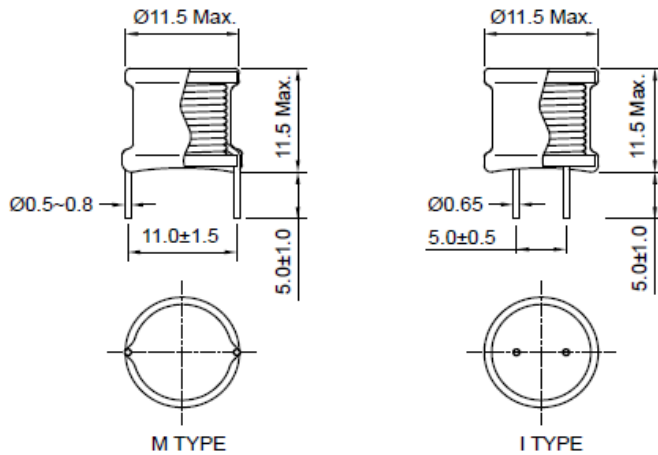
Part No.	Inductance uH(at 1KHz)	Q value Min.	Test Freq. (MHz)	SRF (MHz) Min.	DCR (Ω) Max.	RDC (A) Max.
PC0908M-1R0M□□	1.0	20	7.90	68	0.005	7.50
PC0908M-1R5M□□	1.5	20	7.90	56	0.008	6.60
PC0908M-2R2M□□	2.2	20	7.90	45	0.010	5.40
PC0908M-3R3M□□	3.3	20	7.90	38	0.013	4.50
PC0908M-4R7M□□	4.7	20	7.90	30	0.017	3.70
PC0908M-6R8M□□	6.8	20	7.90	24	0.022	3.10
PC0908M-100K□□	10	20	2.50	19	0.03	2.50
PC0908M-120K□□	12	20	2.50	17	0.04	2.20
PC0908M-150K□□	15	20	2.50	15	0.05	2.00
PC0908I-180K□□	18	20	2.50	13	0.06	1.80
PC0908I-220K□□	22	20	2.50	12	0.07	1.60
PC0908I-270K□□	27	20	2.50	11	0.08	1.40
PC0908I-330K□□	33	20	2.50	10	0.10	1.30
PC0908I-390K□□	39	20	2.50	9.0	0.12	1.20
PC0908I-470K□□	47	20	2.50	8.0	0.14	1.10
PC0908I-560K□□	56	20	2.50	7.0	0.16	0.96
PC0908I-680K□□	68	20	2.50	6.5	0.18	0.91
PC0908I-820K□□	82	20	2.50	6.0	0.20	0.83
PC0908I-101K□□	100	15	0.79	5.5	0.25	0.75
PC0908I-121K□□	120	15	0.79	5.0	0.33	0.68
PC0908I-151K□□	150	15	0.79	4.5	0.40	0.61
PC0908I-181K□□	180	15	0.79	4.0	0.50	0.55
PC0908I-221K□□	220	15	0.79	3.5	0.60	0.50
PC0908I-271K□□	270	15	0.79	3.2	0.70	0.45
PC0908I-331K□□	330	15	0.79	2.8	0.80	0.41
PC0908I-391K□□	390	15	0.79	2.5	0.90	0.37
PC0908I-471K□□	470	15	0.79	2.3	1.00	0.34
PC0908I-561K□□	560	15	0.79	2.1	1.30	0.31
PC0908I-681K□□	680	15	0.79	1.9	1.50	0.28
PC0908I-821K□□	820	15	0.79	1.7	2.00	0.25
PC0908I-102K□□	1000	30	0.25	1.5	2.50	0.23
PC0908I-122K□□	1200	30	0.25	1.3	3.00	0.20
PC0908I-152K□□	1500	30	0.25	1.2	3.50	0.18

# POWER WIRE WOUND CHOKE COIL PC SERIES

## PC1212

### 1. MECHANICAL DIMENSION

unit : mm



### 2. ELECTRICAL

Part No.	Inductance uH(at 1KHz)	Q value Min.	Test Freq. (MHz)	SRF (MHz) Min.	DCR (Ω) Max.	RDC (A) Max.
PC1212M-1R0M□□	1.0	20	7.90	85.0	0.004	10.0
PC1212M-1R5M□□	1.5	20	7.90	64.0	0.005	8.30
PC1212M-2R2M□□	2.2	20	7.90	48.0	0.006	6.90
PC1212M-3R3M□□	3.3	20	7.90	36.0	0.008	5.60
PC1212M-4R7M□□	4.7	20	7.90	28.0	0.009	4.70
PC1212M-6R8M□□	6.8	20	7.90	22.0	0.012	3.90
PC1212M-100K□□	10	20	2.50	16.0	0.016	3.20
PC1212M-120K□□	12	20	2.50	14.0	0.018	2.90
PC1212M-150K□□	15	20	2.50	12.0	0.020	2.60
PC1212M-180K□□	18	20	2.50	11.0	0.025	2.40
PC1212M-220K□□	22	20	2.50	10.0	0.030	2.20
PC1212M-270K□□	27	20	2.50	9.0	0.040	2.00
PC1212M-330K□□	33	20	2.50	8.0	0.050	1.80
PC1212M-390K□□	39	20	2.50	7.0	0.060	1.65
PC1212M-470K□□	47	20	2.50	6.0	0.070	1.50
PC1212M-560K□□	56	20	2.50	5.5	0.080	1.35
PC1212M-680K□□	68	20	2.50	5.0	0.10	1.20
PC1212I-820K□□	82	20	2.50	4.5	0.12	1.10
PC1212I-101K□□	100	20	0.79	4.0	0.14	1.00
PC1212I-121K□□	120	20	0.79	3.5	0.18	0.90
PC1212I-151K□□	150	20	0.79	3.0	0.22	0.82
PC1212I-181K□□	180	20	0.79	2.8	0.25	0.75
PC1212I-221K□□	220	20	0.79	2.5	0.31	0.68
PC1212I-271K□□	270	20	0.79	2.2	0.36	0.61
PC1212I-331K□□	330	20	0.79	2.0	0.42	0.55
PC1212I-391K□□	390	20	0.79	1.8	0.48	0.50

# POWER WIRE WOUND CHOKE COIL    PC SERIES

## PC1212

Part No.	Inductance uH(at 1KHz)	Q value Min.	Test Freq. (MHz)	SRF (MHz) Min.	DCR (Ω) Max.	RDC (A) Max.
PC1212I-471K□□	470	15	0.79	1.6	0.52	0.46
PC1212I-561K□□	560	15	0.79	1.4	0.65	0.42
PC1212I-681K□□	680	15	0.79	1.3	0.80	0.38
PC1212I-821K□□	820	15	0.79	1.2	1.00	0.34
PC1212I-102K□□	1000	20	0.25	1.0	1.5	0.31
PC1212I-122K□□	1200	20	0.25	0.90	1.80	0.28
PC1212I-152K□□	1500	20	0.25	0.85	2.00	0.25
PC1212I-182K□□	1800	20	0.25	0.80	2.50	0.23
PC1212I-222K□□	2200	20	0.25	0.75	3.00	0.21
PC1212I-272K□□	2700	20	0.25	0.70	3.50	0.19
PC1212I-332K□□	3300	20	0.25	0.65	4.00	0.17
PC1212I-392K□□	3900	20	0.25	0.60	5.00	0.15
PC1212I-472K□□	4700	20	0.25	0.55	6.00	0.14
PC1212I-562K□□	5600	20	0.25	0.50	7.50	0.13
PC1212I-682K□□	6800	20	0.25	0.45	9.50	0.12
PC1212I-822K□□	8200	20	0.25	0.40	11.0	0.11
PC1212I-103K□□	10000	50	0.079	0.35	12.0	0.10
PC1212I-123K□□	12000	50	0.079	0.30	13.5	0.09
PC1212I-153K□□	15000	50	0.079	0.25	15.0	0.08

- Operating Temp : -40 to +85°C (including self-generated heat)
- Ambient temperature : 60°C max.
- Temperature rise 25°C max.
- Test Equipment:  
 Inductance: 4285A  
 Q value: 4285A at specified freq. or equivalent.  
 RDC: Chroma 16502 or equivalent.  
 SRF: HP4291B or equivalent.